

# PARTS MANUAL

---

CPB-440NA  
2P-0033

## Conversion Track Systems (CTS) For Harvesters/Combines (North American Market)

### Non-Suspended Combine Systems - 3 Mid-rollers

30T23 / 30T23A	S/N 123-2006 & Later
30T23N	S/N 887-2012 & Later
36T23 / 36T23A	S/N 435-2009 & Later
36T23N	S/N 887-2012 & Later

### Suspended Combine Systems - 4 Mid-rollers

30Q23MA	S/N 463-2009 & Later
36Q23M / 36Q23MA	S/N 463-2009 & Later

### High Speed Combine Systems - 4 Mid-rollers with Suspension

36Q17MK	S/N TRE616003 & Later
---------	-----------------------





# TABLE OF CONTENTS

FOREWORD .....	6
Conversion Track System Specifications .....	6
Abbreviations .....	7
Location of Product Model and Serial Number (Identification plate) .....	7
Parts Ordering Procedure .....	7
NON-SUSPENDED COMBINE SYSTEM, MODEL 30T23	
S/N 123-2006 TO 488-2009 .....	1-2
Undercarriage & Track Tensioning .....	1-2
Sprocket & Undercarriage Spindle .....	1-4
Track Tensioning .....	1-6
Track, Idler & Roller Wheels .....	1-8
Axle, Idler & Roller Wheel .....	1-10
NON-SUSPENDED COMBINE SYSTEM, MODEL 30T23	
S/N 489-2009 TO 886-2011 .....	2-2
Undercarriage & Track Tensioning .....	2-2
Sprocket & Undercarriage Spindle .....	2-4
Track Tensioning .....	2-6
Track, Idler & Roller Wheels .....	2-8
Axle, Idler & Roller Wheel .....	2-10
NON-SUSPENDED COMBINE SYSTEM, MODEL 36T23	
S/N 489-2009 TO 886-2012 .....	3-2
Undercarriage & Track Tensioning .....	3-2
Sprocket & Undercarriage Spindle .....	3-4
Track Tensioning .....	3-6
Track, Idler & Roller Wheels .....	3-8
Axle, Idler & Roller Wheel .....	3-10
NON-SUSPENDED COMBINE SYSTEM, MODEL 30 / 36T23A	
S/N 887-2012 THRU TRE0216002 .....	4-2
Undercarriage & Track Tensioning .....	4-2
Sprocket & Undercarriage Spindle .....	4-4
Track Tensioning .....	4-6
Track, Idler & Roller Wheels .....	4-8
Axle, Idler & Roller Wheel .....	4-10
NON-SUSPENDED COMBINE SYSTEM, MODEL 30 / 36T23A	
S/N TRE0216003 AND LATER .....	5-2
Undercarriage & Track Tensioning .....	5-2
Sprocket & Undercarriage Spindle .....	5-4
Track Tensioning .....	5-6
Track, Idler & Roller Wheels .....	5-8
Axle, Idler Wheel .....	5-10
Axle, Idler & Roller Wheel .....	5-12
Kit, Scraper .....	5-14

NON-SUSPENDED COMBINE SYSTEM, MODEL 30 / 36T23N

S/N 887-2012 THRU TRE0216002 ..... 6-2  
Undercarriage & Track Tensioning ..... 6-2  
Sprocket & Undercarriage Spindle ..... 6-4  
Track Tensioning ..... 6-6  
Track, Idler & Roller Wheels ..... 6-8  
Axle, Idler & Roller Wheel ..... 6-10

NON-SUSPENDED COMBINE SYSTEM, MODEL 30 / 36T23N

S/N TRE0216003 AND LATER ..... 7-2  
Undercarriage & Track Tensioning ..... 7-2  
Sprocket & Undercarriage Spindle ..... 7-4  
Track Tensioning ..... 7-6  
Track, Idler & Roller Wheels ..... 7-8  
Axle, Idler Wheel ..... 7-10  
Axle, Idler & Roller Wheel ..... 7-12

SUSPENDED COMBINE SYSTEM, MODEL 36Q23MA

S/N 489-2009 TO 886-2011 ..... 8-2  
Undercarriage & Track Tensioning ..... 8-2  
Undercarriage Frame ..... 8-4  
Sprocket & Undercarriage Spindle ..... 8-6  
Track Tensioning ..... 8-8  
Track, Idler & Roller Wheels ..... 8-10  
Axle, Idler Wheel ..... 8-12  
Axle, Roller Wheel ..... 8-14

SUSPENDED COMBINE SYSTEM, MODEL 30 / 36Q23MA

S/N 887-2012 THRU TRE0216002 ..... 9-2  
Undercarriage Frame ..... 9-2  
Sprocket & Undercarriage Spindle ..... 9-4  
Track Tensioning - Cylinder & Linkage ..... 9-6  
Track Tensioning - Manifold & Accumulator ..... 9-8  
Track, Idler & Roller Wheels ..... 9-10  
Axle, Idler Wheel ..... 9-12  
Axle, Roller Wheel ..... 9-14

SUSPENDED COMBINE SYSTEM, MODEL 30 / 36Q23MA

S/N TRE0216003 AND LATER ..... 10-2  
Undercarriage Frame ..... 10-2  
Sprocket & Undercarriage Spindle ..... 10-4  
Track Tensioning - Cylinder & Linkage ..... 10-6  
Track Tensioning - Manifold & Accumulator ..... 10-8  
Track, Idler & Roller Wheels ..... 10-10  
Axle, Idler Wheel ..... 10-12  
Axle, Idler / Roller Wheel ..... 10-14  
Axle, Roller Wheel ..... 10-16  
Kit, Scraper ..... 10-18



FITMENT KIT - STANDARD, NON-SUSPENDED & SUSPENDED SYSTEMS (CNH) . . .	11-2
Kit, Combine Fitment . . . . .	11-2
Kit, Oscillation Limiter . . . . .	11-4
FITMENT KIT - SPEED MULTIPLIER, SUSPENDED SYSTEMS (CNH) . . . . .	12-2
Kit, Speed Multiplier . . . . .	12-2
Oscillation Stop Assembly . . . . .	12-4
Tie Rod Assembly . . . . .	12-6
Speed Multiplier Assembly . . . . .	12-8
Mounting Plate Assembly . . . . .	12-10
Gearbox Assembly . . . . .	12-12
FITMENT KIT - STANDARD, NON-SUSPENDED & SUSPENDED SYSTEMS (JD) . . . . .	13-2
Kit, Combine Fitment (50,60,70 Series STS) . . . . .	13-2
Kit, Combine Fitment (S-Series) . . . . .	13-4
Kit, Oscillation Limiter . . . . .	13-6
FITMENT KIT - SPEED MULTIPLIER, SUSPENDED SYSTEMS (JD) . . . . .	14-2
Kit, Speed Multiplier (400mm Axle Extensions) . . . . .	14-2
Kit, Speed Multiplier (Without Axle Extensions) . . . . .	14-4
Oscillation Stop Assembly . . . . .	14-6
Tie Rod Assembly (400mm Axle Extensions) . . . . .	14-8
Tie Rod Assembly (Without Axle Extensions) . . . . .	14-10
Speed Multiplier Assembly . . . . .	14-12
Mounting Plate Assembly . . . . .	14-14
Gearbox Assembly . . . . .	14-16
Drive Shaft Assembly (400mm Axle Extensions) . . . . .	14-18
Drive Shaft Assembly (Without Axle Extensions) . . . . .	14-20
HIGH SPEED COMBINE SYSTEM, MODEL 36Q17MK1JD46-264B S/N TRE0616003 THRU TRE0518042 JOHN DEERE COMBINES . . . . .	15-2
Undercarriage Frame . . . . .	15-2
Sprocket & Gearbox . . . . .	15-6
Track Tensioning - Cylinder & Linkage . . . . .	15-8
Track Tensioning - Manifold & Accumulator . . . . .	15-10
Track, Idler & Roller Wheel . . . . .	15-12
Gearbox Assembly . . . . .	15-14
Axle Assembly, Idler Wheel . . . . .	15-18
Axle Assembly, Roller Wheel . . . . .	15-20
HIGH SPEED COMBINE SYSTEM, MODEL 36Q17MK1JD46-264B S/N TRE0518043 AND LATER JOHN DEERE COMBINES . . . . .	16-2
Undercarriage Frame . . . . .	16-2
Sprocket & Gearbox . . . . .	16-6
Track Tensioning - Cylinder & Linkage . . . . .	16-8
Track Tensioning - Manifold & Accumulator . . . . .	16-10
Track, Idler & Roller Wheel . . . . .	16-12
Gearbox Assembly . . . . .	16-14
Axle Assembly, Idler Wheel . . . . .	16-18
Axle Assembly, Roller Wheel . . . . .	16-20

HIGH SPEED COMBINE SYSTEM, MODEL 36Q17MK1C66-264B

S/N TRE0518043 AND LATER CASE IH COMBINES .....	17-2
Undercarriage Frame .....	17-2
Sprocket & Gearbox .....	17-6
Track Tensioning - Cylinder & Linkage .....	17-8
Track Tensioning - Manifold & Accumulator .....	17-10
Track, Idler & Roller Wheel .....	17-12
Gearbox Assembly .....	17-14
Axle Assembly, Idler Wheel .....	17-18
Axle Assembly, Roller Wheel .....	17-20
FITMENT KIT - HIGH SPEED SYSTEM (JOHN DEERE COMBINES) .....	18-2
Kit, Combine Fitment (400mm Axle Extensions) .....	18-2
FITMENT KIT - HIGH SPEED SYSTEM (CASE IH COMBINES) .....	19-2
Kit, Combine Fitment (265mm Axle Extensions) .....	19-2
SPECIAL TOOLS .....	20-2
CTS Service Tool Kit .....	20-2



# FOREWORD

## Conversion Track System Specifications

### *Combine System - 3 Mid-rollers without Suspension*

<b>Model</b>	<b>* Track Part Number</b>	<b>Track Width (in)</b>	<b>Track Length (in)</b>	<b>Wheelbase (in)</b>	<b>Overall Length</b>	<b>Capacity per pair (lbs)</b>	<b>Ground Pressure @ Capacity (psi)</b>
30T23	B30BF03077	30	252	73.7	104.3	70000	14.6
	639-3070						
30T23A	B30BF03077	30	252	73.7	104.3	70000	14.6
	639-3070						
30T23N	B30BF03077	30	252	73.7	104.3	70000	14.6
	639-3070						
36T23	B36BF03075	36	252	73.7	104.3	70000	12.1
	639-3630						
36T23A	B36BF03075	36	252	73.7	104.3	70000	12.1
	639-3630						
36T23N	B36BF03075	36	252	73.7	104.3	70000	12.1
	639-3630						

### *Combine System - 4 Mid-rollers with Suspension*

<b>Model</b>	<b>* Track Part Number</b>	<b>Track Width (in)</b>	<b>Track Length (in)</b>	<b>Wheelbase (in)</b>	<b>Overall Length</b>	<b>Capacity per pair (lbs)</b>	<b>Ground Pressure @ Capacity (psi)</b>
30Q23M / 30Q23MA	B30BF03077	30	252	73.7	104.3	70000	14.6
	639-3070						
36Q23M / 36Q23MA	B36BF03075	36	252	73.4	104	70000	12.1
	639-3630						
36Q17MK	B36BM02873	36	264	82.4	113.1	70000	11.7

\* Track part numbers are interchangeable and vary depending on Model Year. The service replacement track is 639-XXXX.









## FOREWORD (CONT'D)

### Abbreviations

- FN** - Footnote is a column in the parts list used to communicate information that directly effects the part it's lined up with. The number used will correspond with information located below the parts list.
- UAR** - Use As Required (UAR) is used in the quantity column indicating the number of parts used is determined by service needs.
- REF** - Reference used in the part number column indicates the part has special service information. The location of this information is often referenced in the description column.
- NSS** - Not Serviced Separately (NSS) in a part number column indicates the part is not available for service.

### Location of Product Model and Serial Number (Identification plate)



 <b>TIDUE</b> srl 		
Via Rossi, 37 - REMEDELLO (BS) - ITALY www.tidue.com		
MODEL	<input type="text"/>	
TYPE	<input type="text"/>	
SERIAL NUMBER	<input type="text"/>	
YEAR	<input type="text"/>	
		
		

Identification Plate - 2013 and Earlier

### CTS Serial Number Format

**TRE 06 14 001**

Manufacturing Location
Month
Year
Sequential Number

 Manufacturing System Manufacturing Italy s.r.l. Via Rossi, 37 - REMEDELLO (BS) - ITALY www.camso.it 		
MODEL	CTS	
TYPE	<input type="text"/>	
SERIAL NUMBER	<input type="text"/>	
YEAR	20	
		
		

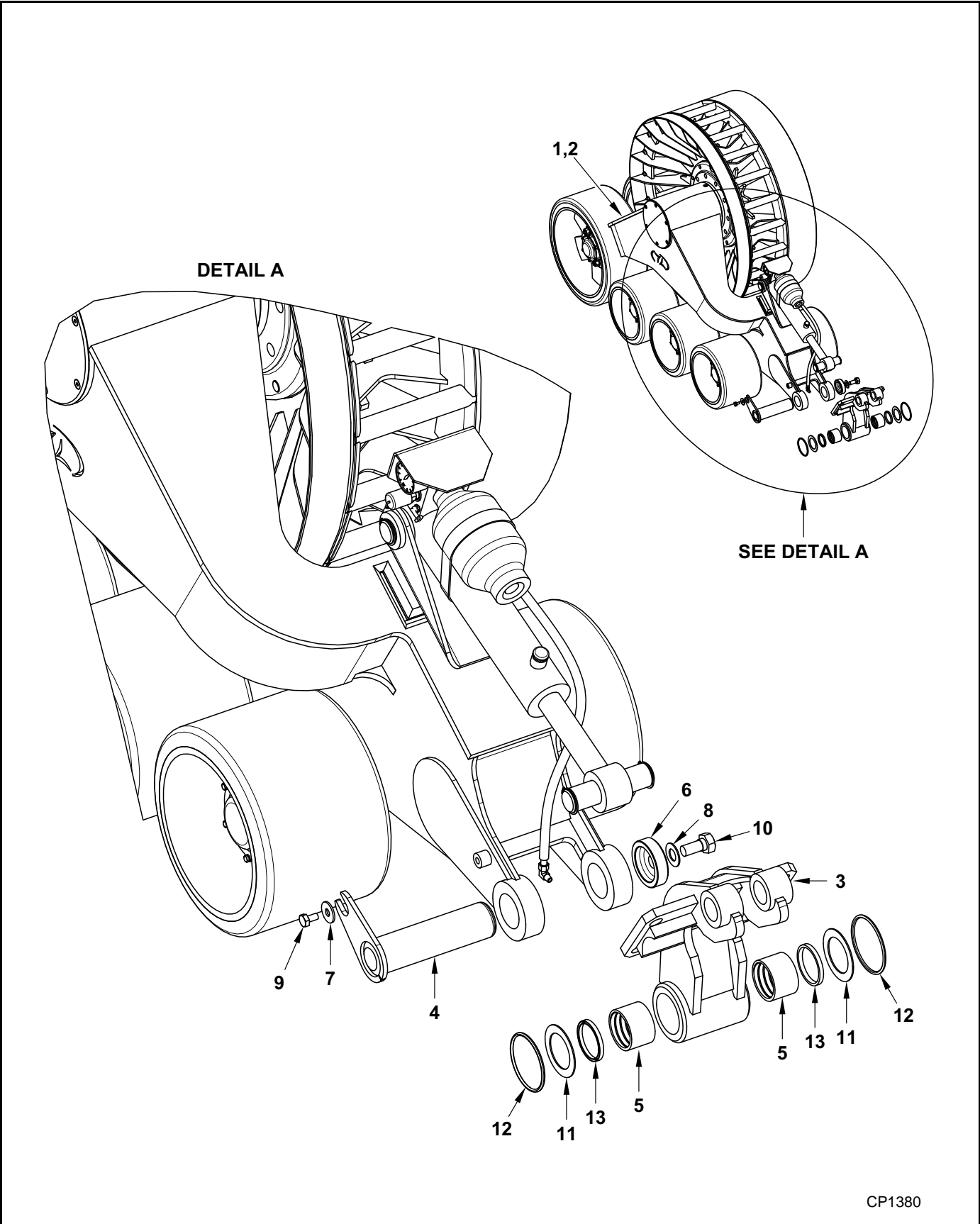
Identification Plate - 2014 and Later

### Parts Ordering Procedure

When ordering parts for your Conversion Track System (CTS), please contact an authorized CTS system dealer in your area. If the parts are associated with a possible warranty claim, make sure that you contact the original dealer from which you purchased the CTS system. Make

sure to provide the CTS model, Serial number, Part number, Part description and quantity.

# Undercarriage & Track Tensioning



CP1380

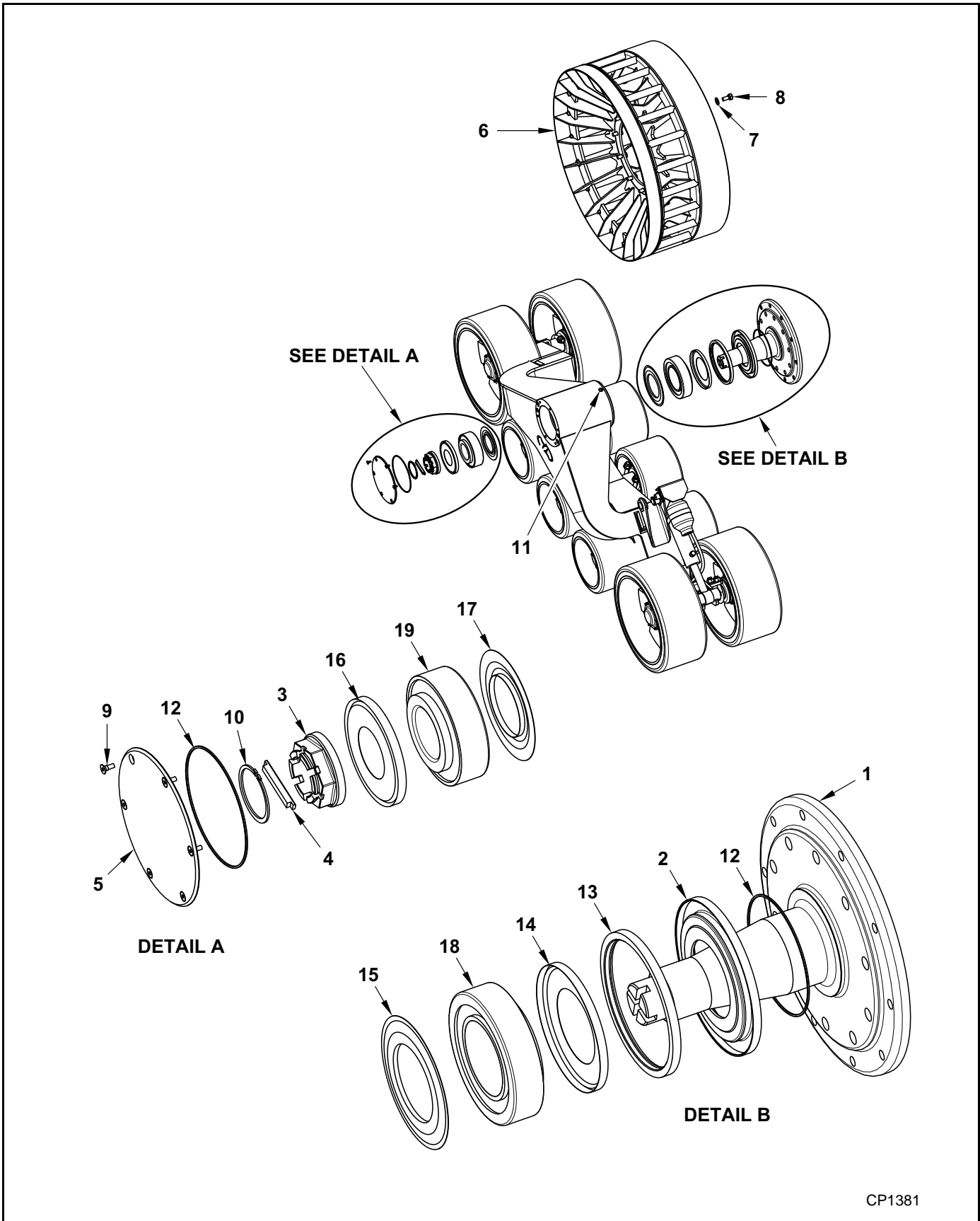
**NON-SUSPENDED COMBINE SYSTEM, MODEL 30T23  
S/N 123-2006 TO 488-2009**

**Undercarriage & Track Tensioning**

(1000006-02May2006 Rev.q / 12June2007)

Ref.	FN	Part Number	CTS Series	Qty.	Description
1		1000203		1	FRAME, Undercarriage, RH
2		1000204		1	FRAME, Undercarriage, LH
3		1000239		1	ARM, Tensioning
4		1000345		1	PIN, Tensioning Arm
5		1000348		2	BEARING, Sliding
6		1000358		1	WASHER, Pin
7		2F-0272		1	WASHER, Flat, M12
8		2F-0275		1	WASHER, Contact
9		2F-0278		1	BOLT, Hex, M12 x 20, CI 8.8
10		2F-0347		11	BOLT, Hex, M20 x 45, CI 10.9
11		2C-2155-100		2	SHIM
12		2J-0128		2	O-RING, 5.34 X 92
13		2J-0131		2	SEAL, Radial Shaft

# Sprocket & Undercarriage Spindle



CP1381



**NON-SUSPENDED COMBINE SYSTEM, MODEL 30T23  
S/N 123-2006 TO 488-2009**

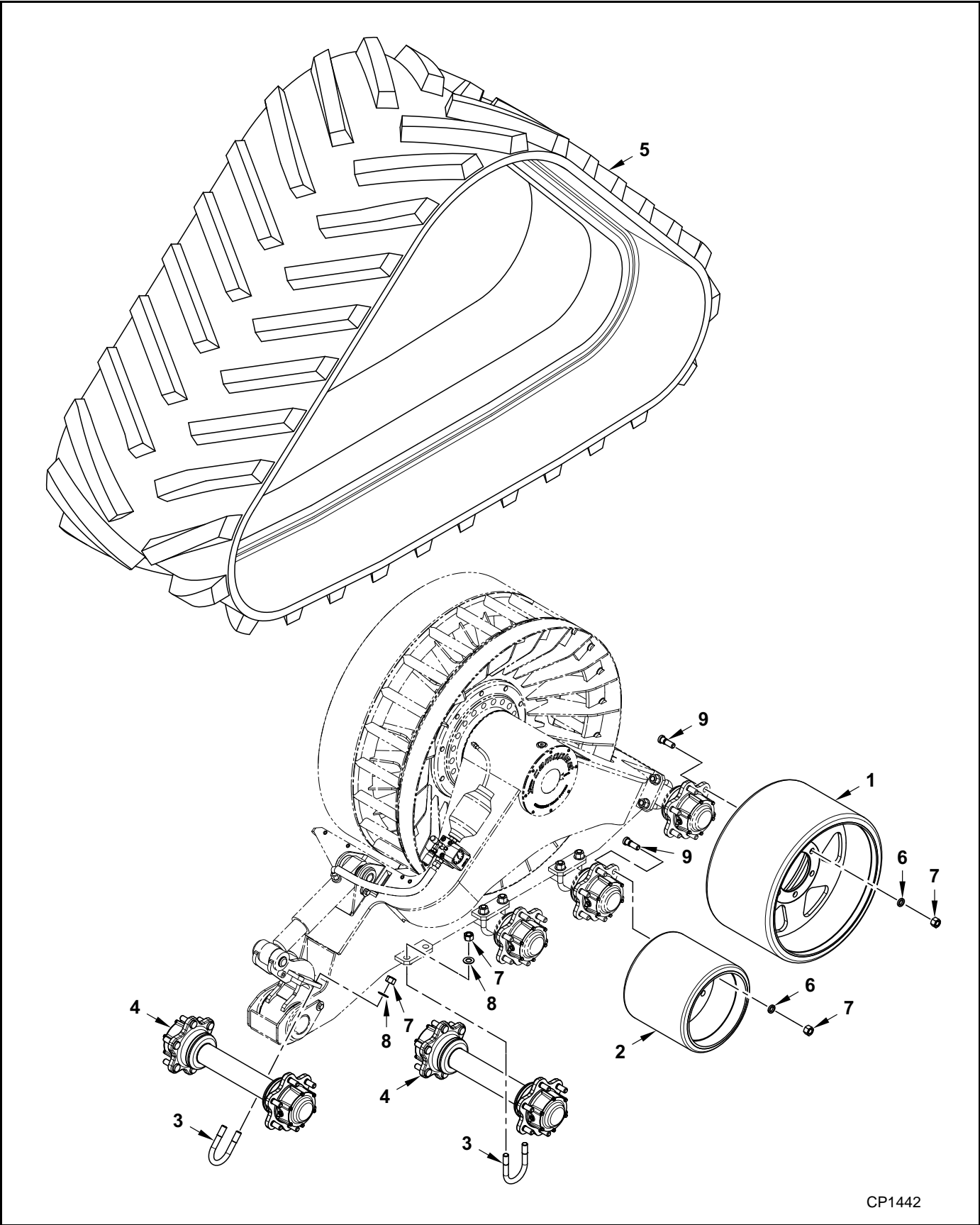
**Sprocket & Undercarriage Spindle**

(1000006-02May2006 Rev.q / 12June2007)

Ref.	FN	Part Number	CTS Series	Qty.	Description
1		1000111		1	SPINDLE, Drive Wheel
2		1000112		1	BEARING, Collar
3		1000113		1	NUT, Spindle
4		1000114		1	NUT, Lock, Spindle
5		2C-2164		1	COVER, Logo
6		1000231		1	SPROCKET, Drive
7		2F-0275		10	WASHER, Wedge Locking
8		2F-0347		10	BOLT, Hex, M20 x 45, CI 10.9
9		2F-0293		6	BOLT, Hex, M8 x 20, CI 8.8
10		2F-0300		1	RING, Retaining
11		2H-0179		2	GREASER
12		2J-0124		2	O-RING
13		2J-0130		1	SEAL, Radial Shaft
14		2J-0135		1	SEAL, Spring Washer
15		2J-0136		1	SEAL, Spring Washer
16		2J-0137		1	SEAL, Spring Washer
17		2J-0138		1	SEAL, Spring Washer
18		2B-0127		1	BEARING, Taper Roller
19		2B-0128		1	BEARING, Taper Roller

**Note: Main Support Bearing update kit available. Please contact your Camso dealer for more information.**

Track Tensioning



CP1442

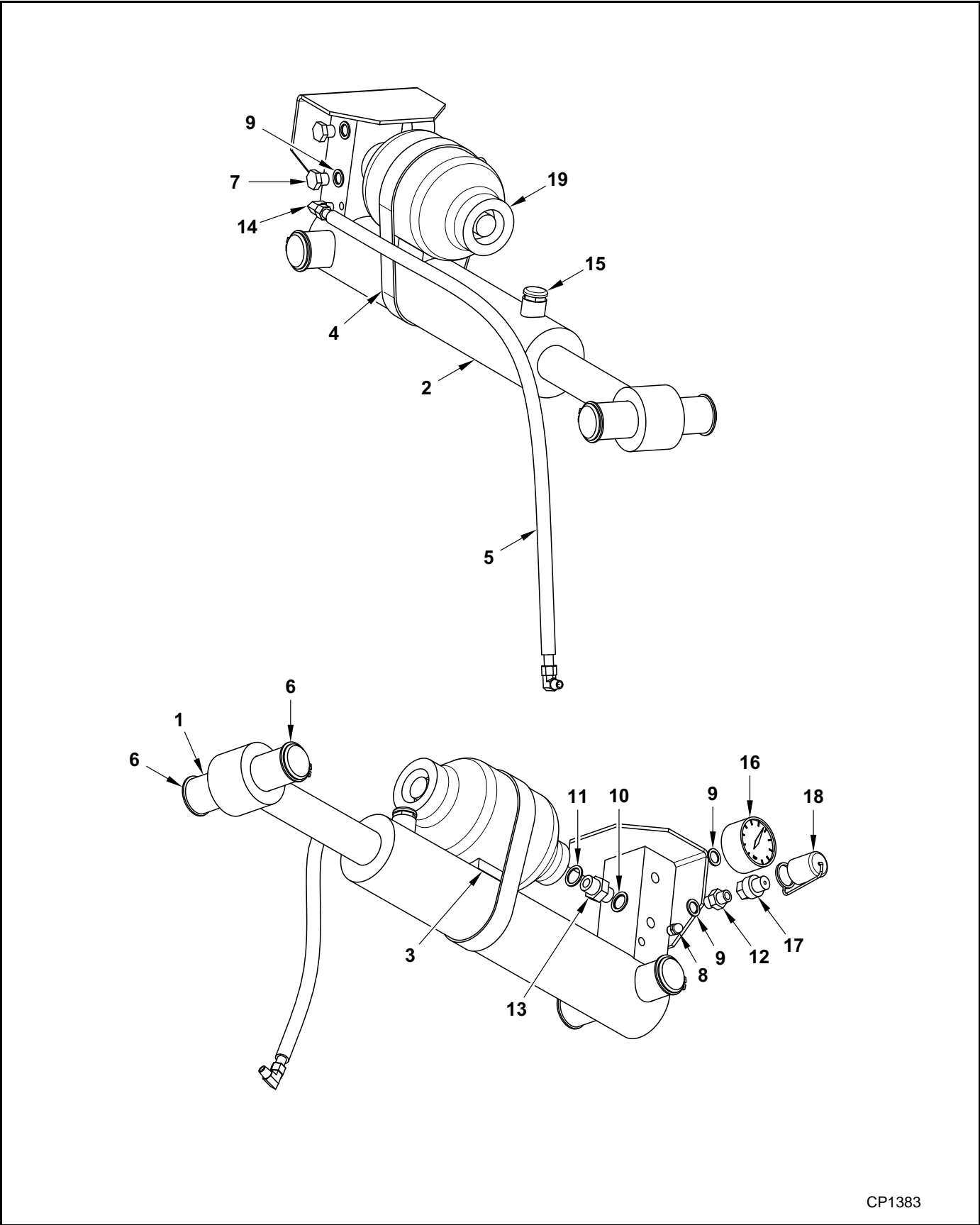
**NON-SUSPENDED COMBINE SYSTEM, MODEL 30T23**  
**S/N 123-2006 TO 488-2009**

**Track Tensioning**

(1000006-02May2006 Rev.q / 12June2007)

<b>Ref.</b>	<b>FN</b>	<b>Part Number</b>	<b>CTS Series</b>	<b>Qty.</b>	<b>Description</b>
1		1001704		4	WHEEL, Idler, 30" Track
2		1000173		6	WHEEL, Roller, PU, 30" Track
		1000108		6	WHEEL, Roller, Rubber, 30" Track
3		1000119		10	U-BOLT
4		1000130		5	AXLE ASSY., Idler & Roller Wheel, 30" Track, See page 1-10
5		639-3070		1	TRACK, 30" X 252"
6		2F-0325		60	WASHER, Wedge Locking, M20
7		2F-0296		80	NUT, Hex, M20
8		2F-0275		20	WASHER
9		2F-0298		60	BOLT, Stud, M20 x 60, CI 10.9

Track, Idler & Roller Wheels



CP1383

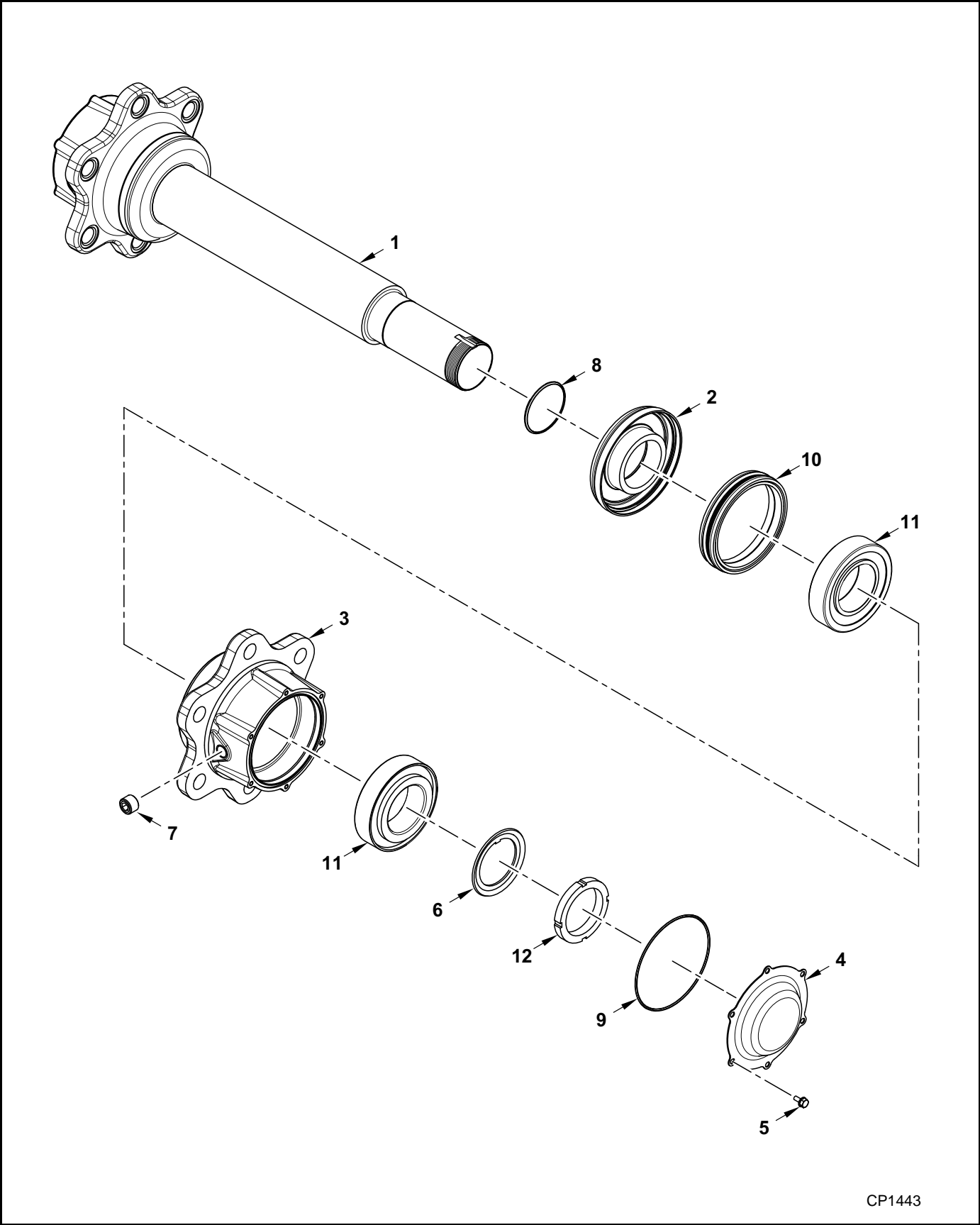
**NON-SUSPENDED COMBINE SYSTEM, MODEL 30T23  
S/N 123-2006 TO 488-2009**

**Track, Idler & Roller Wheels**

(1000006-02May2006 Rev.q / 12June2007)

Ref.	FN	Part Number	CTS Series	Qty.	Description
1		1000248		2	PIN, Mounting, Cylinder
2		1000352		1	ACTUATOR, Tensioning
3		1000356		1	SUPPORT, Accumulator
4		2H-0195		1	FIXATION, Accumulator
5		1000359		1	HOSE, Grease
6		2F-0299		4	RING, Retaining
7		2H-0175		2	PLUG, 1/4" BSP
8		2H-0179		1	FITTING, Grease
9		2F-0304		4	WASHER, G1/4"
10		2F-0305		1	WASHER, G3/8"
11		2F-0306		1	WASHER, M18
12		2H-0183		1	FITTING
13		2H-0185		1	FITTING
14		2H-0187		2	FITTING, 90°
15		2H-0189		1	BREATHER, 3/8" BSP
16		2H-0190		1	GUAGE, Pressure
17		2H-0191		1	FASTENER, Male
18		2H-0192		1	PLUG, Fastener
19		2H-0194		1	ACCUMULATOR, Nitrogen

Axle, Idler & Roller Wheel



CP1443

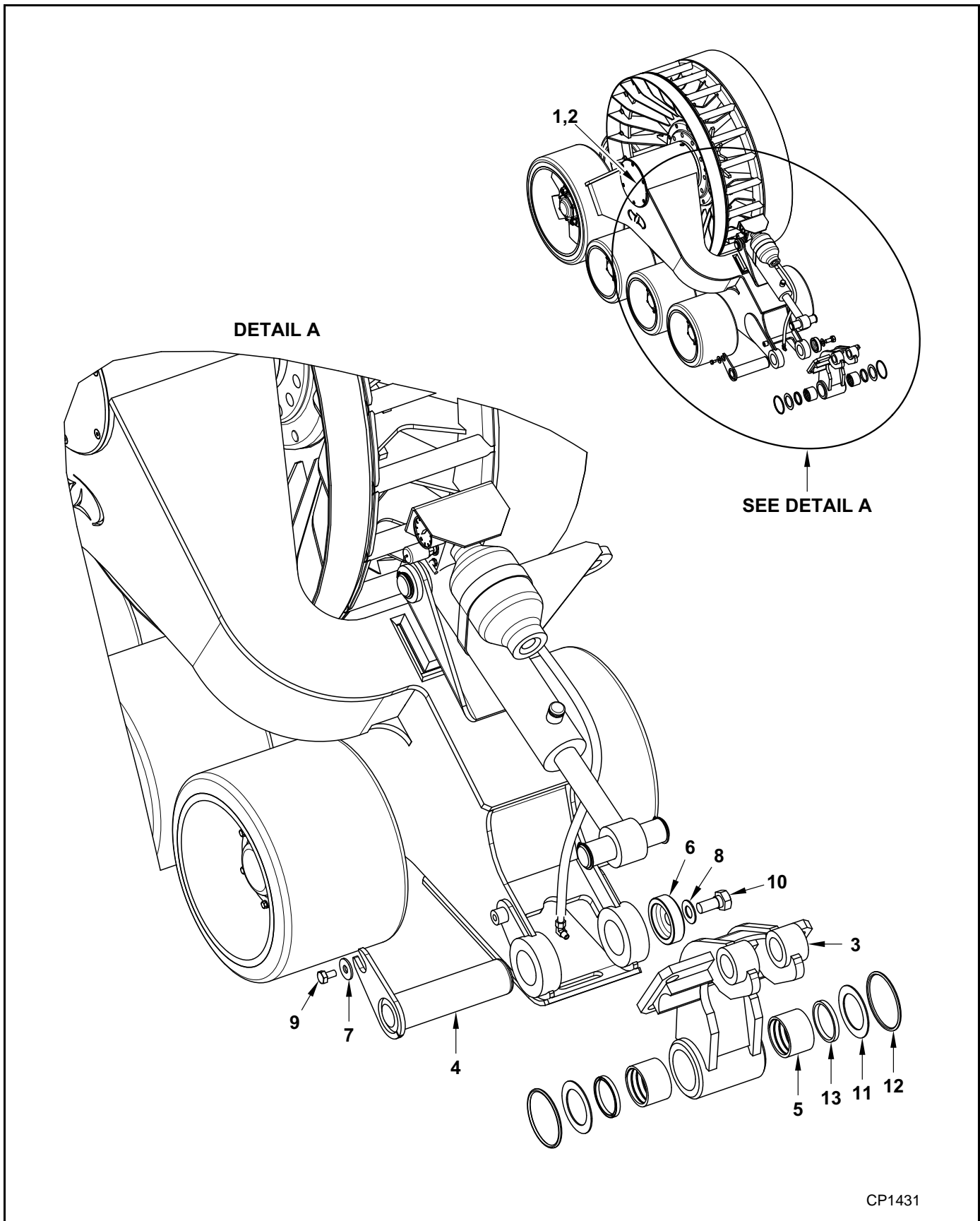
**NON-SUSPENDED COMBINE SYSTEM, MODEL 30T23  
S/N 123-2006 TO 488-2009**

**Axle, Idler & Roller Wheel**

(1000006-02May2006 Rev.q / 12June2007)

Ref.	FN	Part Number	CTS Series	Qty.	Description
		1000130		1	AXLE ASSY., Idler & Roller Wheel, 30" Track, Includes items 1 -12
1		1000131		1	AXLE
2		1000122		2	RING, Collar
3		1000128		2	HUB
4		1000129		2	CAP, Hub
5		2F-0295		12	BOLT, Hex, M6
6		2F-0302		2	WASHER, Lock
7		2H-0176		2	PLUG, 3/8" BSP
8		2J-0122		2	O-RING, 2.50 x 65
9		2J-0123		2	O-RING, 2.62 x 126
10		2J-0129		2	SEAL, Mechanical
11		2B-0126		4	BEARING, Taper Roller
12		2F-0301		2	NUT, Lock

# Undercarriage & Track Tensioning



CP1431



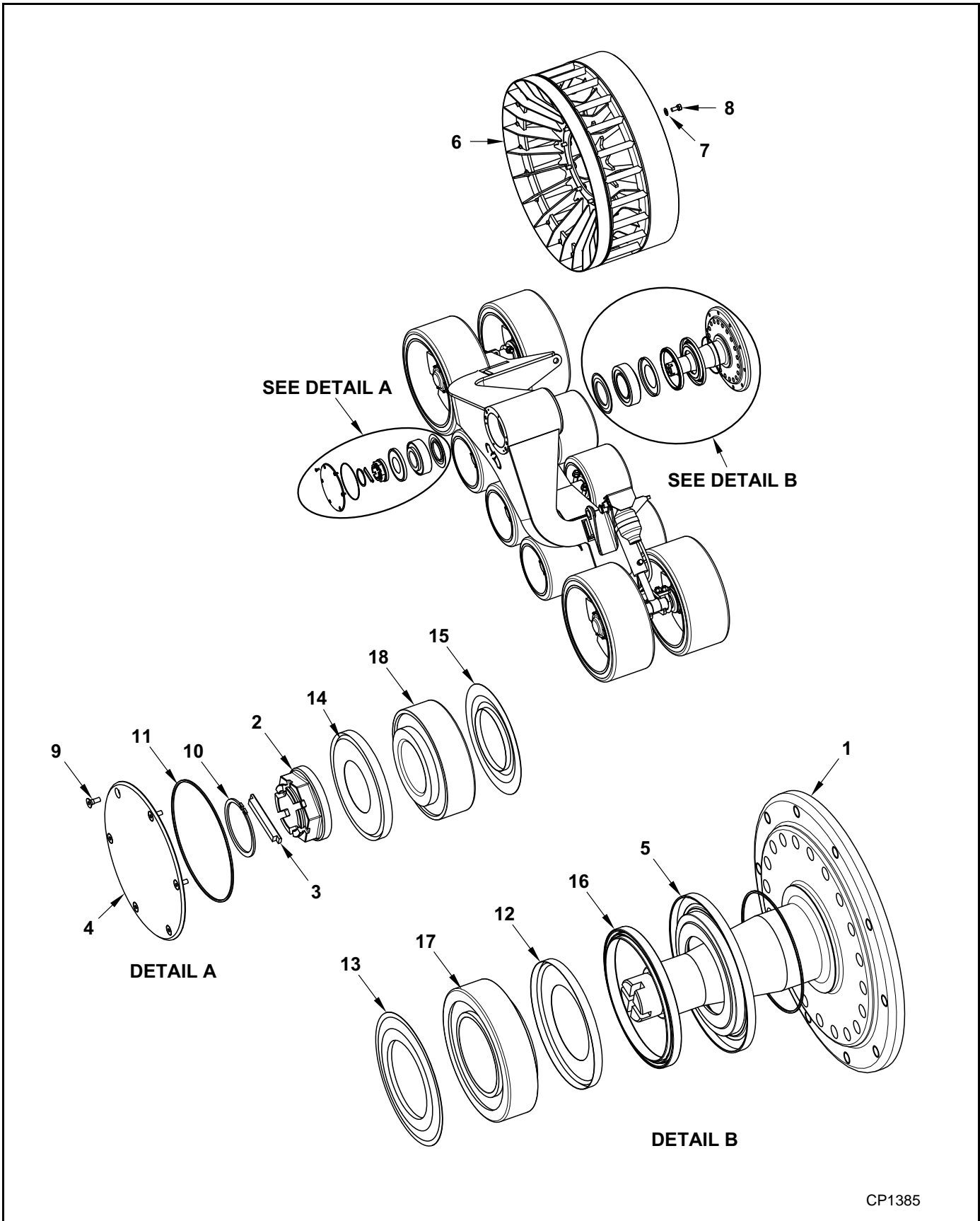
**NON-SUSPENDED COMBINE SYSTEM, MODEL 30T23**  
**S/N 489-2009 TO 886-2011**

**Undercarriage & Track Tensioning**

(1000000-04May2006 Rev.b / 30May2009)

Ref.	FN	Part Number	CTS Series	Qty.	Description
1		1000203		1	FRAME, Undercarriage, RH
2		1000204		1	FRAME, Undercarriage, LH
3		1000239		1	ARM, Tensioning
4		1000345		1	PIN, Tensioning Arm
5		1000348		2	BEARING, Sliding
6		1000358		1	WASHER, Pin
7		2F-0272		1	WASHER, Flat, M12
8		2F-0275		1	WASHER, Contact
9		2F-0278		1	BOLT, Hex, M12 x 20, CI 8.8
10		2F-0347		1	BOLT, Hex, M20 x 45, CI 10.9
11		2C-2155-100		2	WASHER, Selflube, 62 ID x 90 OD x 2 mm
12		2J-0024		2	O-RING, 5.34 X 92
13		2J-0131		2	SEAL, Radial Shaft

# Sprocket & Undercarriage Spindle



CP1385

**NON-SUSPENDED COMBINE SYSTEM, MODEL 30T23  
S/N 489-2009 TO 886-2011**

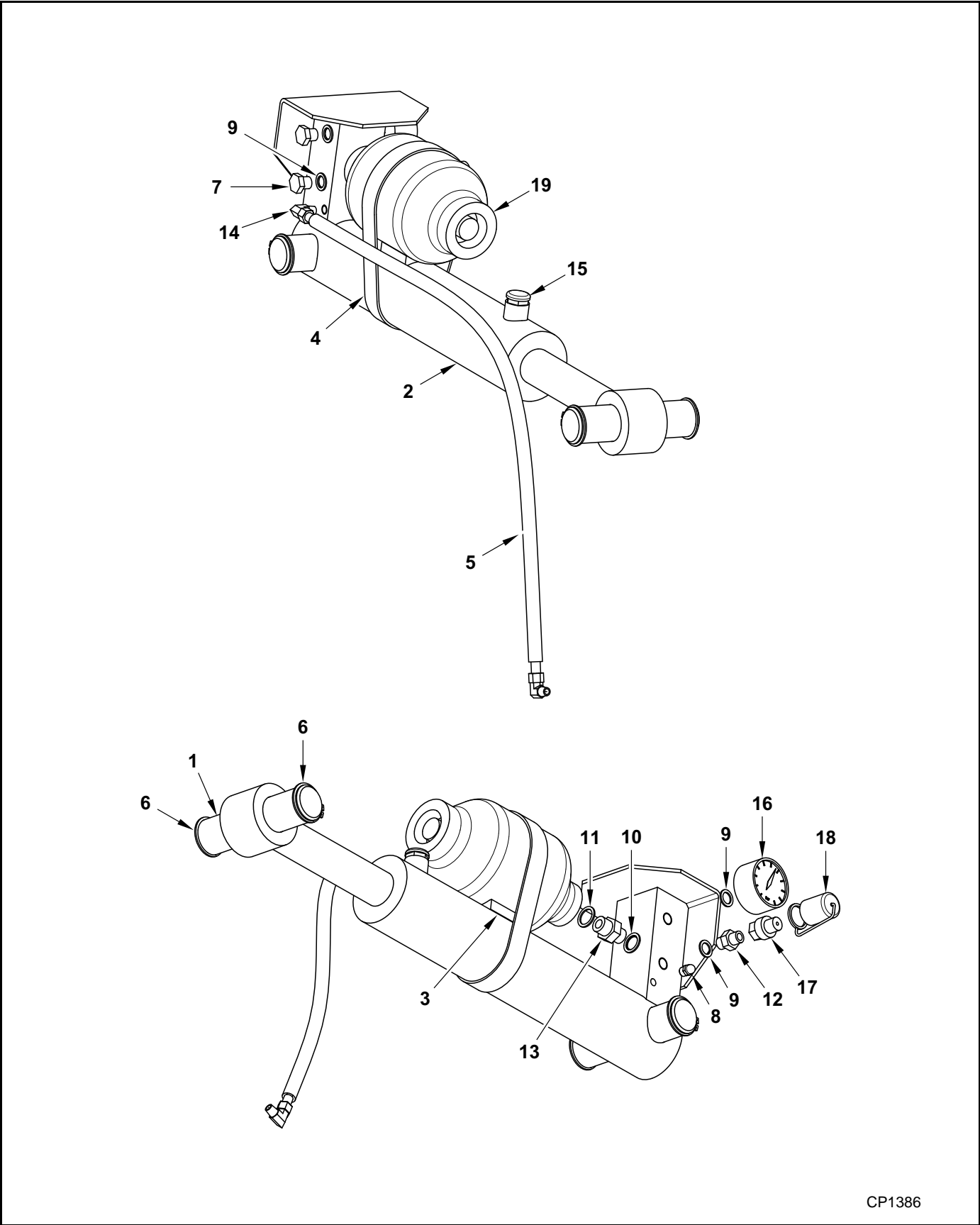
**Sprocket & Undercarriage Spindle**

(1000000-04May2006 Rev.b / 30May2009)

Ref.	FN	Part Number	CTS Series	Qty.	Description
1		1000111		1	SPINDLE, Drive Wheel
2		1000113		1	NUT, Spindle
3		1000114		1	NUT, Lock, Spindle
4		1000116		1	COVER, Logo
5		1000191		1	BEARING, Collar
6		100231		1	SPROCKET, Drive
7		2F-0325		10	WASHER, Wedge Locking, M20
8		2F-0347		10	BOLT, M20 x 45, CI 10.9
9		2F-0293		6	BOLT, M8 x 20, CI 8.8
10		2F-0300		1	RING, Retaining, Seeger
11		2J-0124		2	O-RING, 53 x 203
12		2J-0135		1	SEAL, Spring Washer
13		2J-0136		1	SEAL, Spring Washer
14		2J-0137		1	SEAL, Spring Washer
15		2J-0138		1	SEAL, Spring Washer
16		2J-0139		1	SEAL, Kasette, 210 x 240 x 18
17		2B-0127		1	BEARING, Taper Roller, 130 x 230 x 67.75
18		2B-0128		1	BEARING, Taper Roller, 90 x 190 x 67.5

**Note: Main Support Bearing update kit available. Please contact your Camso dealer for more information.**

# Track Tensioning



CP1386

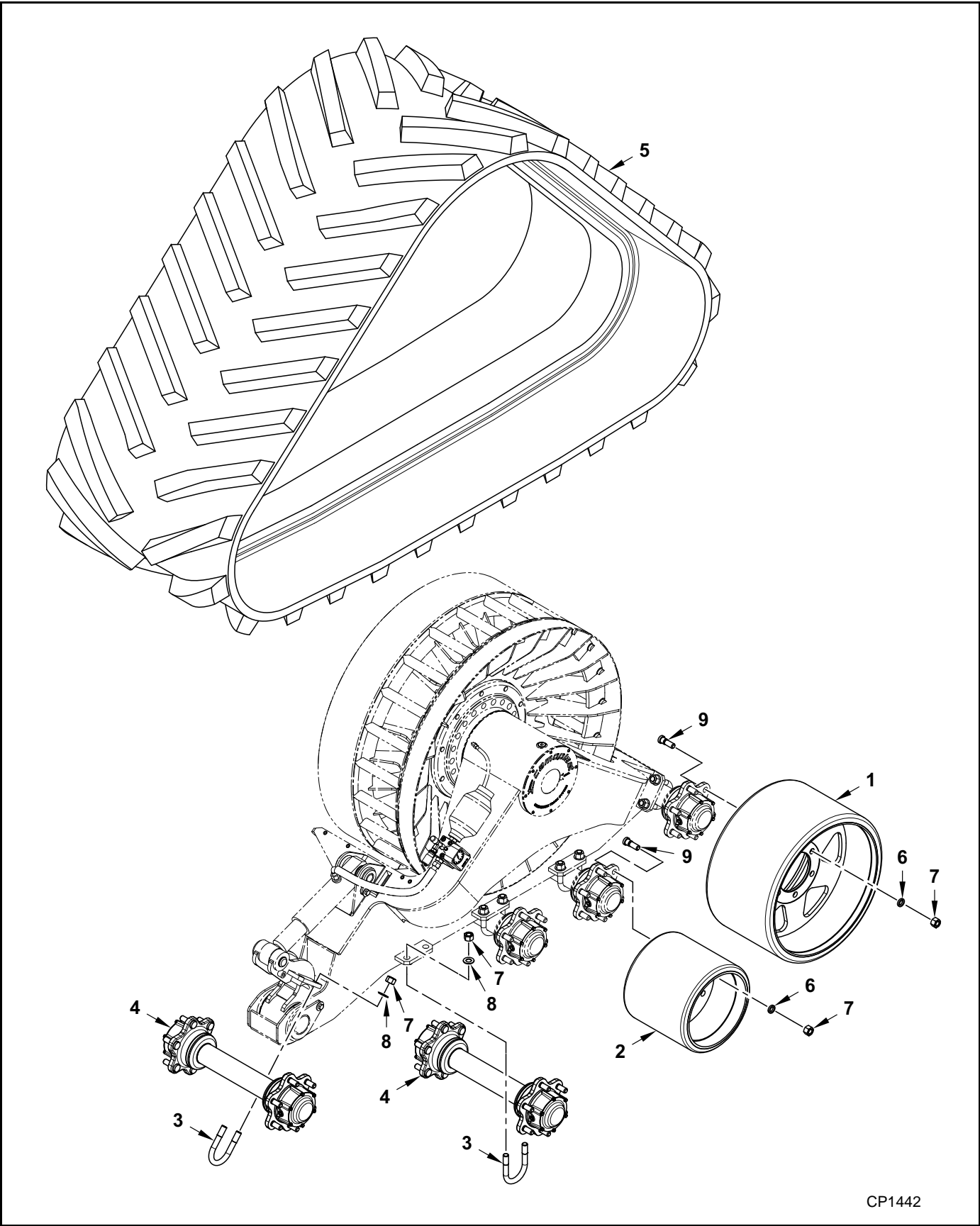
**NON-SUSPENDED COMBINE SYSTEM, MODEL 30T23**  
**S/N 489-2009 TO 886-2011**

**Track Tensioning**

(1000000-04May2006 Rev.b / 30May2009)

Ref.	FN	Part Number	CTS Series	Qty.	Description
1		1000248		2	PIN, Mounting, Cylinder
2		1000352		1	ACTUATOR, Tensioning
3		1000356		1	SUPPORT, Accumulator
4		2H-0195		1	STRAP, Accumulator
5		1000359		1	HOSE, Greaser
6		2F-0299		4	RING, Retaining
7		2H-0175		2	PLUG, 1/4" BSP
8		2H-0179		1	FITTING, Grease
9		2F-0304		4	WASHER, G1/4"
10		2F-0305		1	WASHER, G3/8"
11		2F-0306		1	WASHER, M18
12		2H-0183		1	FITTING
13		2H-0185		1	FITTING
14		2H-0187		2	FITTING, 90°
15		2H-0189		1	BREATHER, 3/8" BSP
16		2H-0190		1	GAUGE, Pressure
17		2H-0191		1	FASTENER, Male, 1/4" BSP
18		2H-1092		1	PLUG, Fastener, 1/4" BSP
19		2H-1094		1	ACCUMULATOR, Nitrogen

Track, Idler & Roller Wheels



CP1442

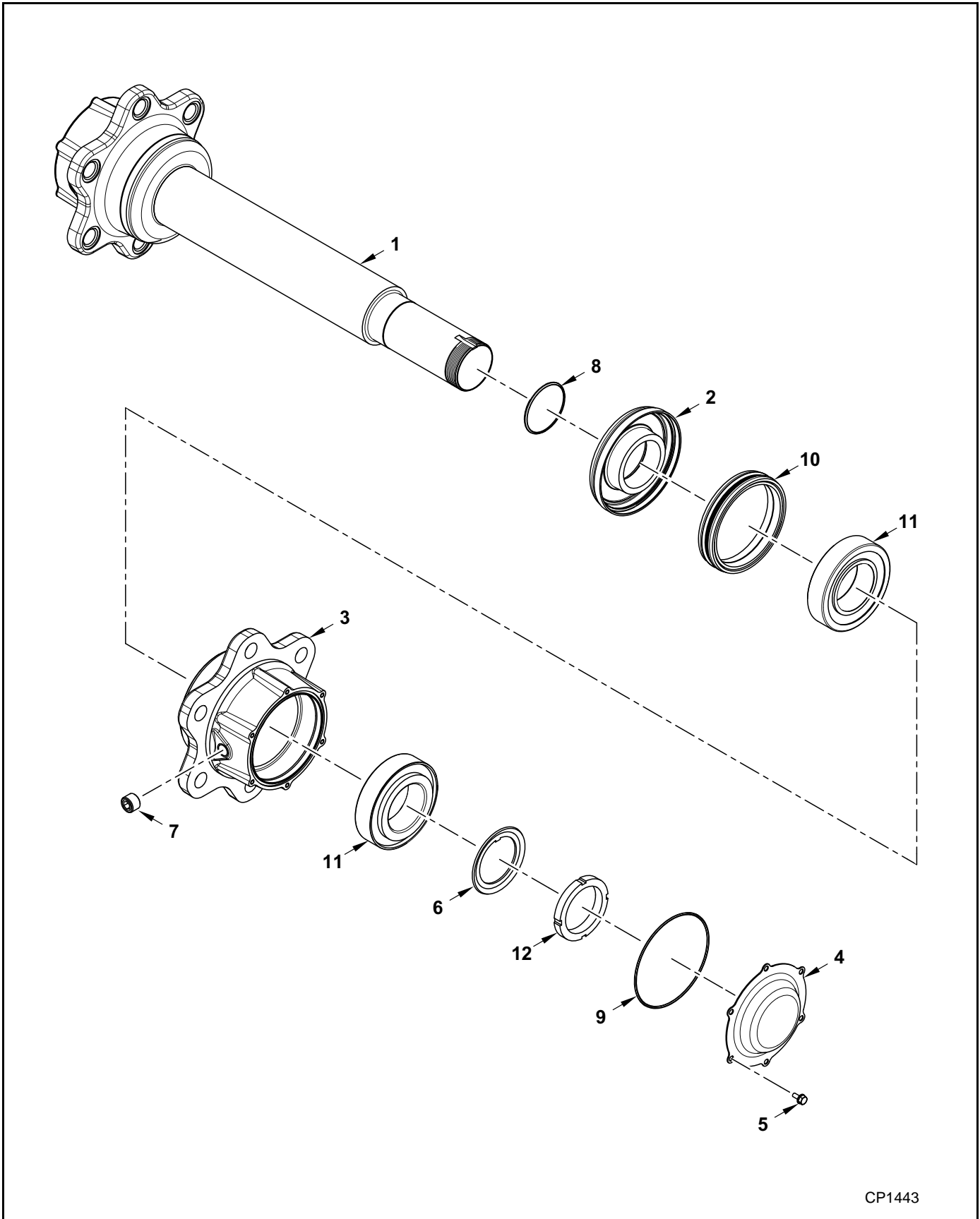
**NON-SUSPENDED COMBINE SYSTEM, MODEL 30T23  
S/N 489-2009 TO 886-2011**

**Track, Idler & Roller Wheels**

(1000000-04May2006 Rev.b / 30May2009)

<b>Ref.</b>	<b>FN</b>	<b>Part Number</b>	<b>CTS Series</b>	<b>Qty.</b>	<b>Description</b>
1		1001704		4	WHEEL, Idler, 30" Track
2		1000173		6	WHEEL, Roller, PU, 30" Track
		1000108		6	WHEEL, Roller, Rubber, 30" Track
3		1000119		10	U-BOLT
4		1000130		5	AXLE ASSY., Idler & Roller Wheel, 30" Track, See page 2-10
5		639-3070		1	TRACK, 30" X 252"
6		2F-0325		60	WASHER, Wedge Locking, M20
7		2F-0296		80	NUT, Hex, M20
8		2F-0275		20	WASHER
9		2F-0298		60	BOLT, Stud, M20 x 60, CI 10.9

# Axle, Idler & Roller Wheel



CP1443



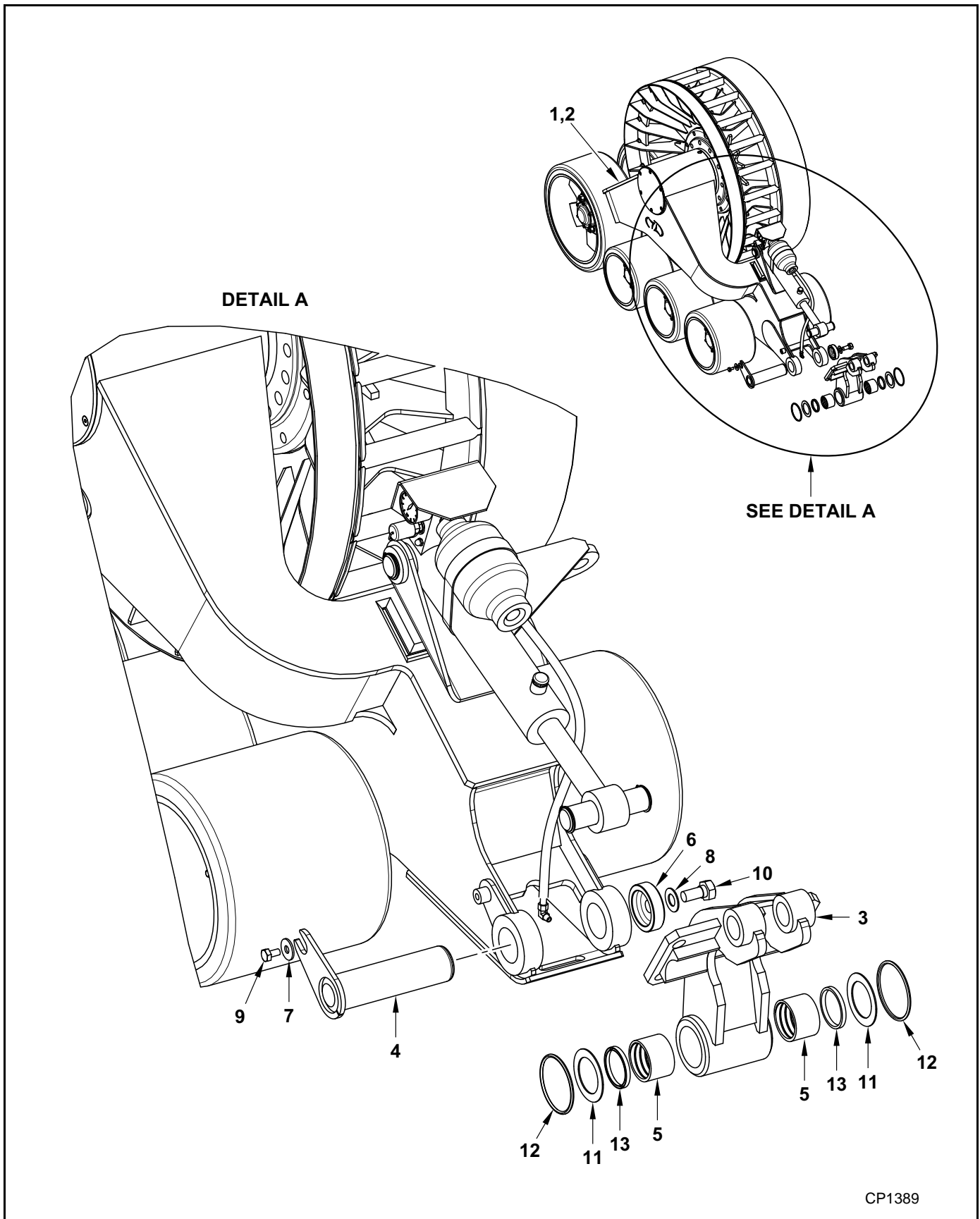
**NON-SUSPENDED COMBINE SYSTEM, MODEL 30T23  
S/N 489-2009 TO 886-2011**

**Axle, Idler & Roller Wheel**

(1000000-04May2006 Rev.b / 30May2009)

Ref.	FN	Part Number	CTS Series	Qty.	Description
		1000130		1	AXLE ASSY., Idler & Roller Wheel, 30" Track, Includes items 1 -12
1		1000131		1	AXLE
2		1000122		2	RING, Collar
3		1000128		2	HUB
4		1000129		2	CAP, Hub
5		2F-0295		12	BOLT, Hex, M6
6		2F-0302		2	WASHER, Lock
7		2H-0176		2	PLUG, 3/8" BSP
8		2J-0122		2	O-RING, 2.50 x 65
9		2J-0123		2	O-RING, 2.62 x 126
10		2J-0129		2	SEAL, Mechanical
11		2B-0126		4	BEARING, Taper Roller
12		2F-0301		2	NUT, Lock

# Undercarriage & Track Tensioning



CP1389

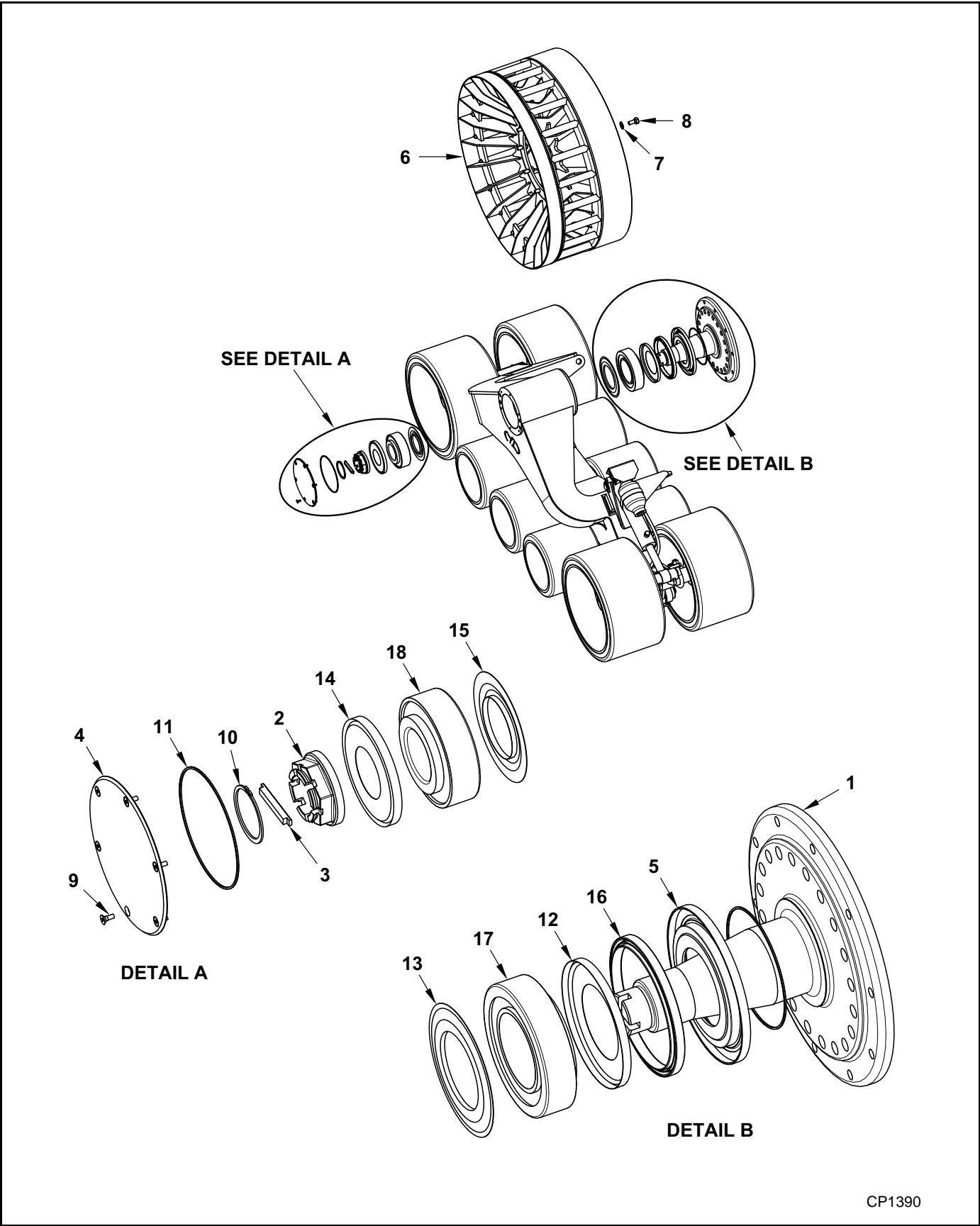
**NON-SUSPENDED COMBINE SYSTEM, MODEL 36T23  
S/N 489-2009 TO 886-2012**

**Undercarriage & Track Tensioning**

(1000000-06Aug2005 Rev.b / 30May2009)

<b>Ref.</b>	<b>FN</b>	<b>Part Number</b>	<b>CTS Series</b>	<b>Qty.</b>	<b>Description</b>
1		1000203		1	FRAME, Undercarriage, RH
2		1000204		1	FRAME, Undercarriage, LH
3		1000239		1	ARM, Tensioning
4		1000345		1	PIN, Mounting, Tensioning Arm
5		1000348		2	BEARING, Sliding
6		1000358		1	WASHER, Pin
7		2F-0272		1	WASHER, M12
8		2F-0275		1	WASHER, Contact, M20
9		2F-0278		1	BOLT, Hex, M12 x 20, CI 8.8
10		2F-0347		1	BOLT, Hex, M20 x 45, CI 10.9
11		2C-2155-100		2	SHIM
12		2J-0128		2	O-RING, 5.34 X 92
13		2J-0131		2	SEAL, Radial Shaft

# Sprocket & Undercarriage Spindle



CP1390

**NON-SUSPENDED COMBINE SYSTEM, MODEL 36T23  
S/N 489-2009 TO 886-2012**

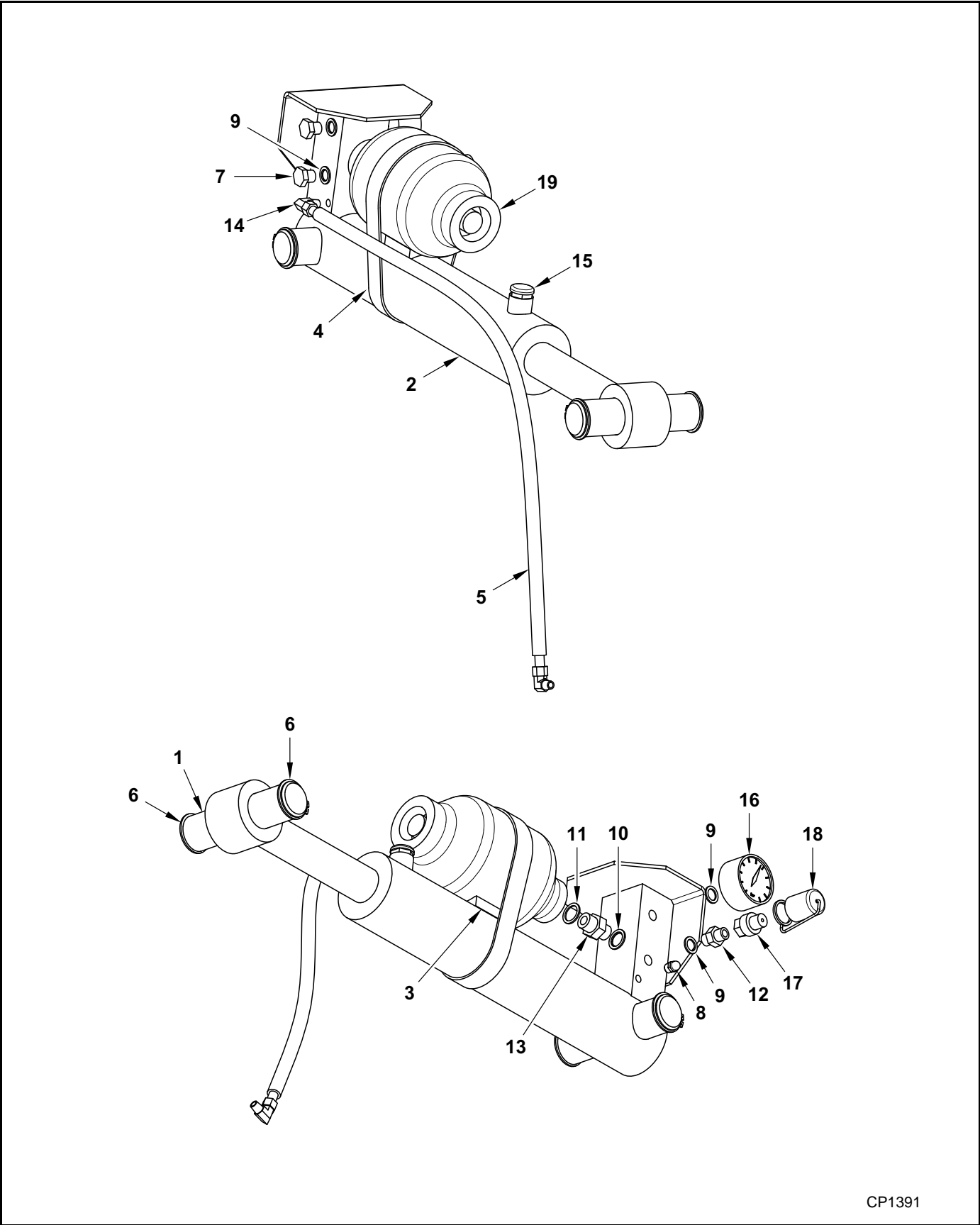
**Sprocket & Undercarriage Spindle**

(1000000-06Aug2005 Rev.b / 30May2009)

Ref.	FN	Part Number	CTS Series	Qty.	Description
1		1000111		1	SPINDLE, Drive Wheel
2		1000113		1	NUT, Spindle
3		1000114		1	NUT, Lock, Spindle
4		2C-2164		1	COVER, Logo
5		1000191		1	BEARING, Collar
6		1000231		1	SPROCKET, Drive
7		2F-0325		10	WASHER, Wedge Locking, M20
8		2F-0347		10	BOLT, M20 x 45, CI 10.9
9		2F-0293		6	BOLT, Hex, M8 x 20, CI 8.8
10		2F-0300		1	RING, Retaining
11		2J-0124		2	O-RING, 3.53 x 203
12		2J-0135		1	SEAL, Spring Washer
13		2J-0136		1	SEAL, Spring Washer
14		2J-0137		1	SEAL, Spring Washer
15		2J-0138		1	SEAL, Spring Washer
16		2J-0139		1	SEAL, Cassette
17		2B-0127		1	BEARING, Taper Roller
18		2B-0128		1	BEARING, Taper Roller

**Note: Main Support Bearing update kit available. Please contact your Camso dealer for more information.**

# Track Tensioning



CP1391

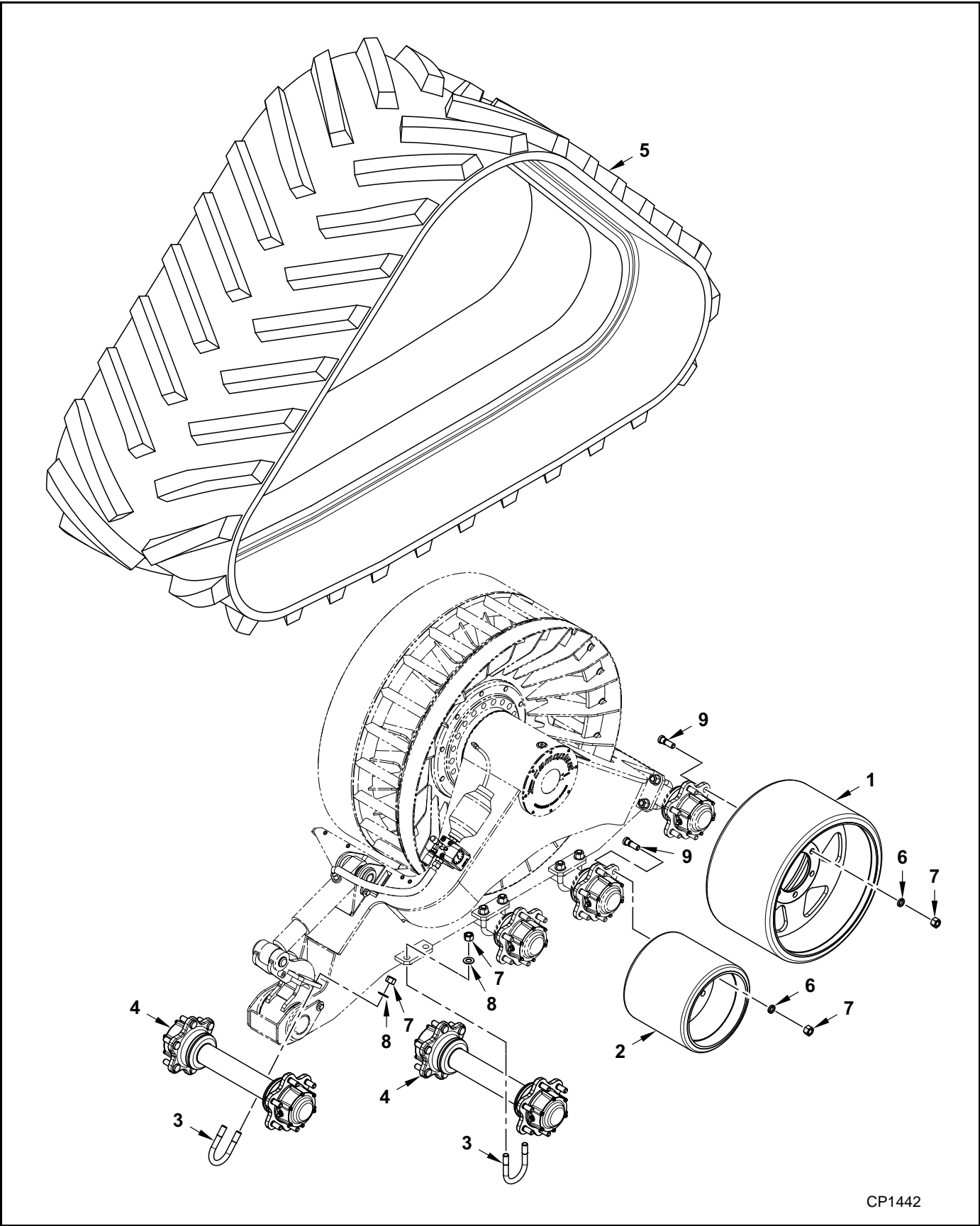
**NON-SUSPENDED COMBINE SYSTEM, MODEL 36T23  
S/N 489-2009 TO 886-2012**

**Track Tensioning**

(1000000-06Aug2005 Rev.b / 30May2009)

Ref.	FN	Part Number	CTS Series	Qty.	Description
1		1000248		2	PIN, Mounting, Cylinder
2		1000352		1	ACTUATOR, Tensioning
3		1000356		1	SUPPORT, Accumulator
4		2H-0195		1	FIXATION, Accumulator
5		1000359		1	HOSE, Greaser
6		2F-0299		4	RING, Retainer
7		2H-0175		2	PLUG, 1/4" BSP
8		2H-0179		1	FITTING, Grease
9		2F-0304		4	WASHER, G1/4"
10		2F-0305		1	WASHER, G3/8"
11		2F-0306		1	WASHER, M18
12		2H-0183		1	FITTING
13		2H-0185		1	FITTING
14		2H-0187		2	FITTING, 90°
15		2H-0189		1	BREATHER, 3/8" BSP
16		2H-0190		1	GAUGE, Pressure
17		2H-0191		1	FASTENER, 1/4" BSP
18		2H-0192		1	PLUG, Fastener, 1/4" BSP
19		2H-0194		1	ACCUMULATOR, Nitrogen

Track, Idler & Roller Wheels



CP1442



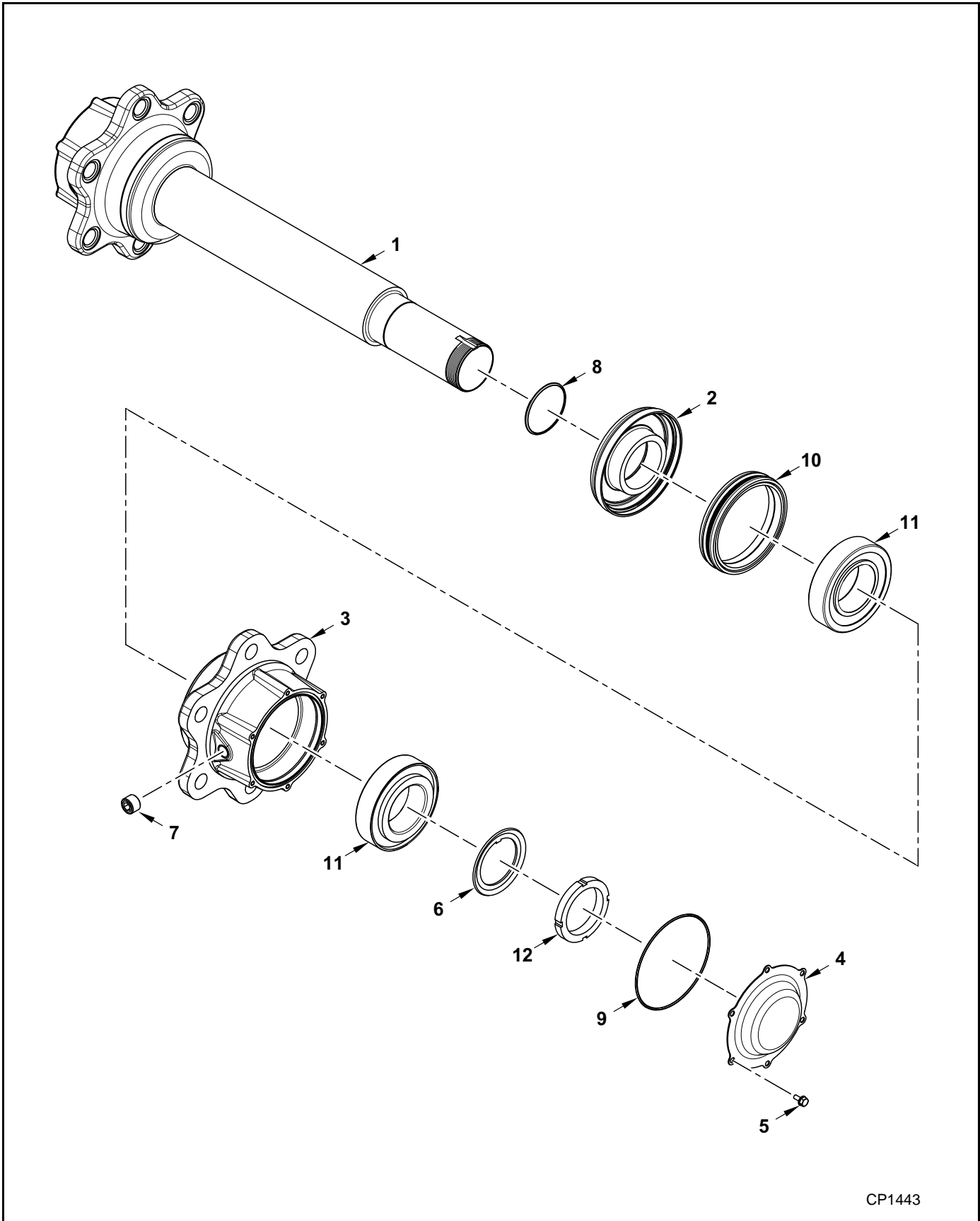
**NON-SUSPENDED COMBINE SYSTEM, MODEL 36T23  
S/N 489-2009 TO 886-2012**

**Track, Idler & Roller Wheels**

(1000000-06Aug2005 Rev.b / 30May2009)

<b>Ref.</b>	<b>FN</b>	<b>Part Number</b>	<b>CTS Series</b>	<b>Qty.</b>	<b>Description</b>
1		1001700		4	WHEEL, Idler, 36" Track
2		1000198		6	WHEEL, Roller, 36" Track
3		1000119		10	U-BOLT
4		1000120		5	AXLE ASSY., Idler & Roller Wheel, 36" Track, See page 3-10
5		639-3630		1	TRACK, 36" X 252"
6		2F-0325		60	WASHER, Wedge Locking, M20
7		2F-0296		80	NUT, Hex, M20
8		2F-0275		20	WASHER
9		2F-0298		60	BOLT, Stud, M20 x 60, CI 10.9

# Axle, Idler & Roller Wheel



CP1443

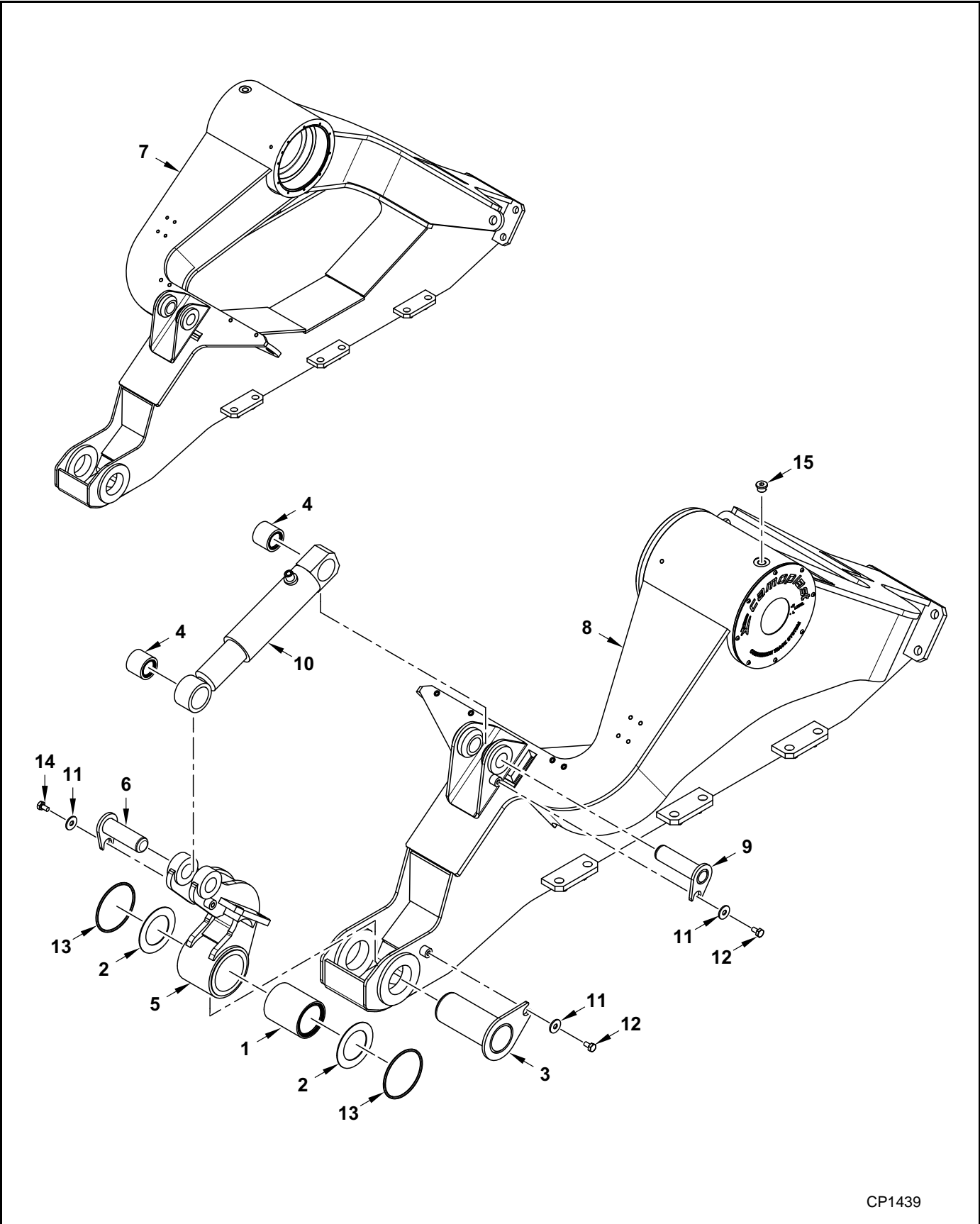
**NON-SUSPENDED COMBINE SYSTEM, MODEL 36T23  
S/N 489-2009 TO 886-2012**

**Axle, Idler & Roller Wheel**

(1000000-06Aug2005 Rev.b / 30May2009)

Ref.	FN	Part Number	CTS Series	Qty.	Description
		1000120		1	AXLE ASSY., Idler & Roller Wheel, 36" Track, Includes items 1 -12
1		1000121		1	AXLE
2		1000122		2	RING, Collar
3		1000128		2	HUB
4		1000129		2	CAP, Hub
5		2F-0295		12	BOLT, Hex, M6
6		2F-0302		2	WASHER, Lock
7		2H-0176		2	PLUG, 3/8" BSP
8		2J-0122		2	O-RING, 2.50 x 65
9		2J-0123		2	O-RING, 2.62 x 126
10		2J-0129		2	SEAL, Mechanical
11		2B-0126		4	BEARING, Taper Roller
12		2F-0301		2	NUT, Lock

# Undercarriage & Track Tensioning



CP1439

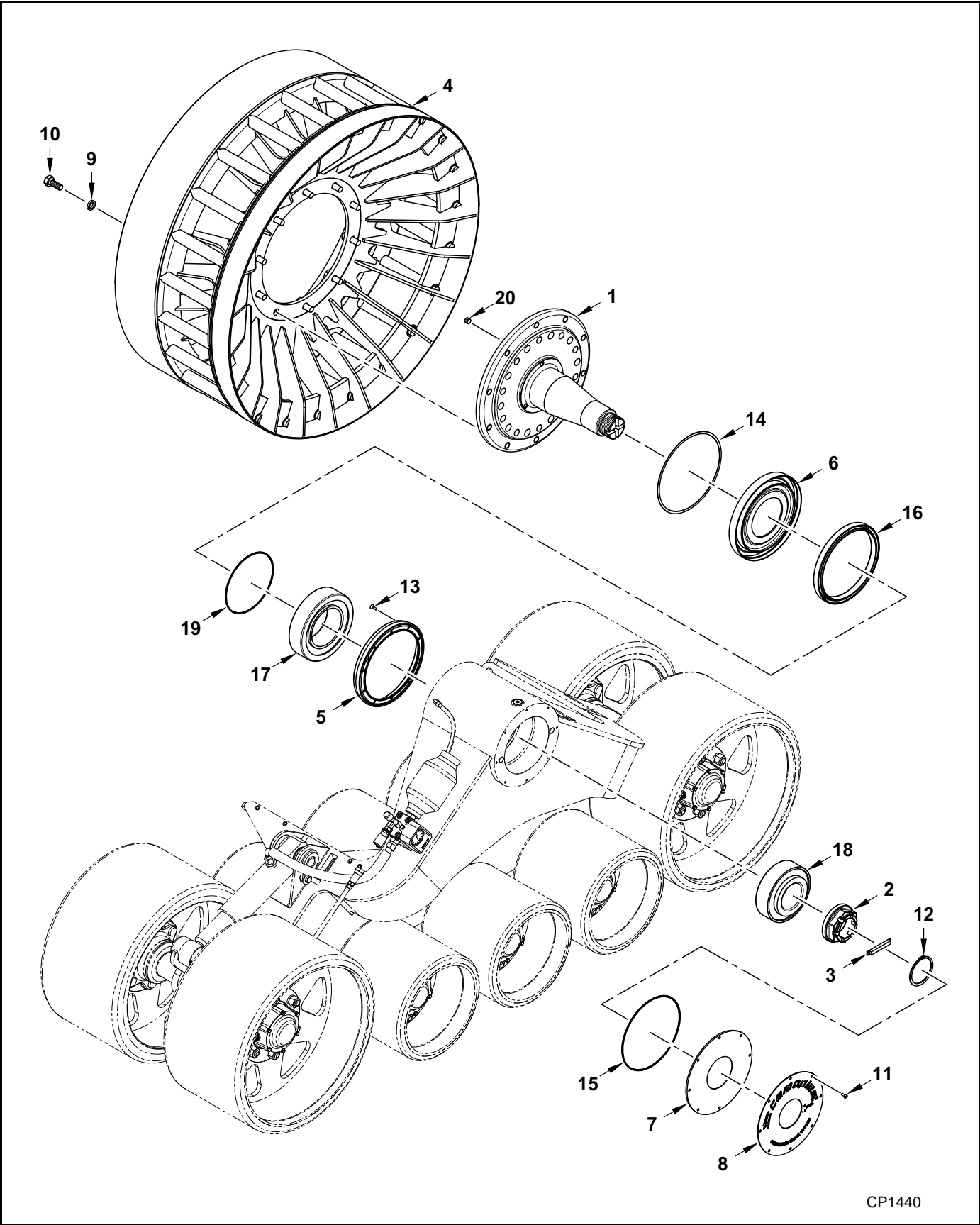
**NON-SUSPENDED COMBINE SYSTEM, MODEL 30 / 36T23A  
S/N 887-2012 THRU TRE0216002**

**Undercarriage & Track Tensioning**

(1000060-06Aug2012)

<b>Ref.</b>	<b>FN</b>	<b>Part Number</b>	<b>CTS Series</b>	<b>Qty.</b>	<b>Description</b>
1		1000399		1	BEARING, Sliding
2		1000400		2	SHIM
3		1000451		1	PIN, Undercarriage-Rod
4		1000462		2	BEARING, Sliding
5		1001406		1	ARM, Tensioner
6		1001413		1	PIN, Piston Tensioner
7		1002003		1	FRAME, Undercarriage, LH
8		1002004		1	FRAME, Undercarriage, RH
9		1002030		1	PIN, Cylinder Tensioner
10		1002033		1	CYLINDER, Tensioning
11		2F-0272		3	WASHER, M12
12		2F-0278		3	BOLT, Hex, M12 x 20, CI 8.8
13		2J-0126		2	O-RING, 5 X 120
14		2F-0323		2	BOLT, Hex, M20 x 50, CI 10.9
15		2H-0173		1	PLUG, 1/2" BSP

# Sprocket & Undercarriage Spindle



CP1440

**NON-SUSPENDED COMBINE SYSTEM, MODEL 30 / 36T23A  
S/N 887-2012 THRU TRE0216002**

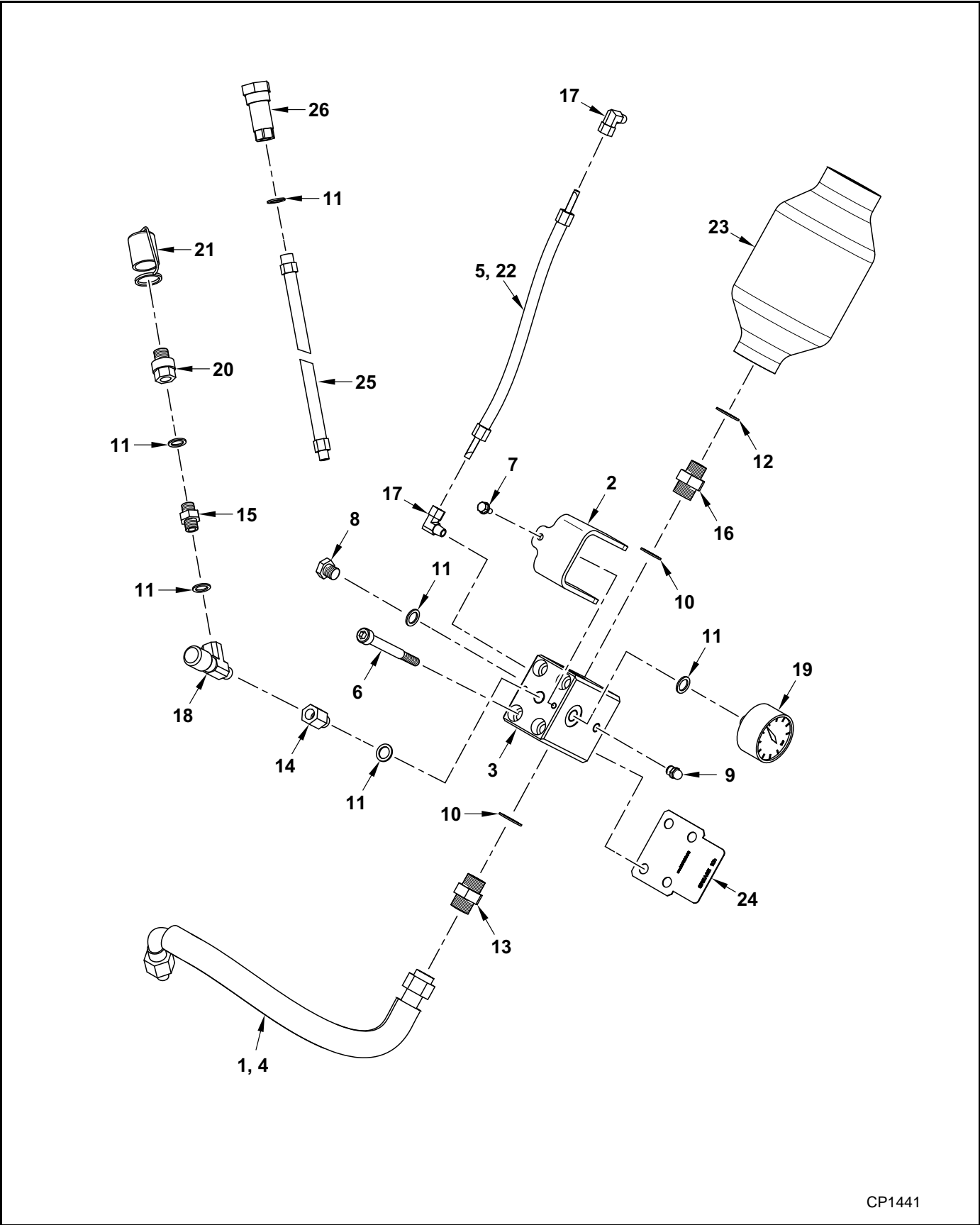
**Sprocket & Undercarriage Spindle**

(1000060-06Aug2012)

Ref.	FN	Part Number	CTS Series	Qty.	Description
1		1000111		1	SPINDLE, Drive Wheel
2		1000113		1	NUT, Spindle
3		1000114		1	NUT, Lock, Spindle
4		1000231		1	SPROCKET, Drive
5		1001268		1	SEAL, Site
6		1000196		1	SHOULDER, Bearing
7		1003153		1	COVER, Lexan
8		2C-2156		1	COVER, Logo
9		2F-0325		10	WASHER, Wedge Locking, M20
10		2F-0347		10	BOLT, Hex, M20 x 45, Cl 10.9
11		2F-0329		8	BOLT, Hex, M16 x 16
12		2F-0300		1	RING, Retaining
13		2F-0292		10	BOLT, Hex, M10 x 16
14		2J-0124		1	O-RING, 3.53 x 203
15		2J-0125		1	O-RING, 3.53 x 248
16		2J-0140		1	SEAL
17		2B-0127		1	BEARING, Taper Roller
18		2B-0128		1	BEARING, Taper Roller
19		1000197		1	O-RING
20	1	2H-0236		3	PLUG, Tapered

1 - MY2015 and Later

Track Tensioning



CP1441



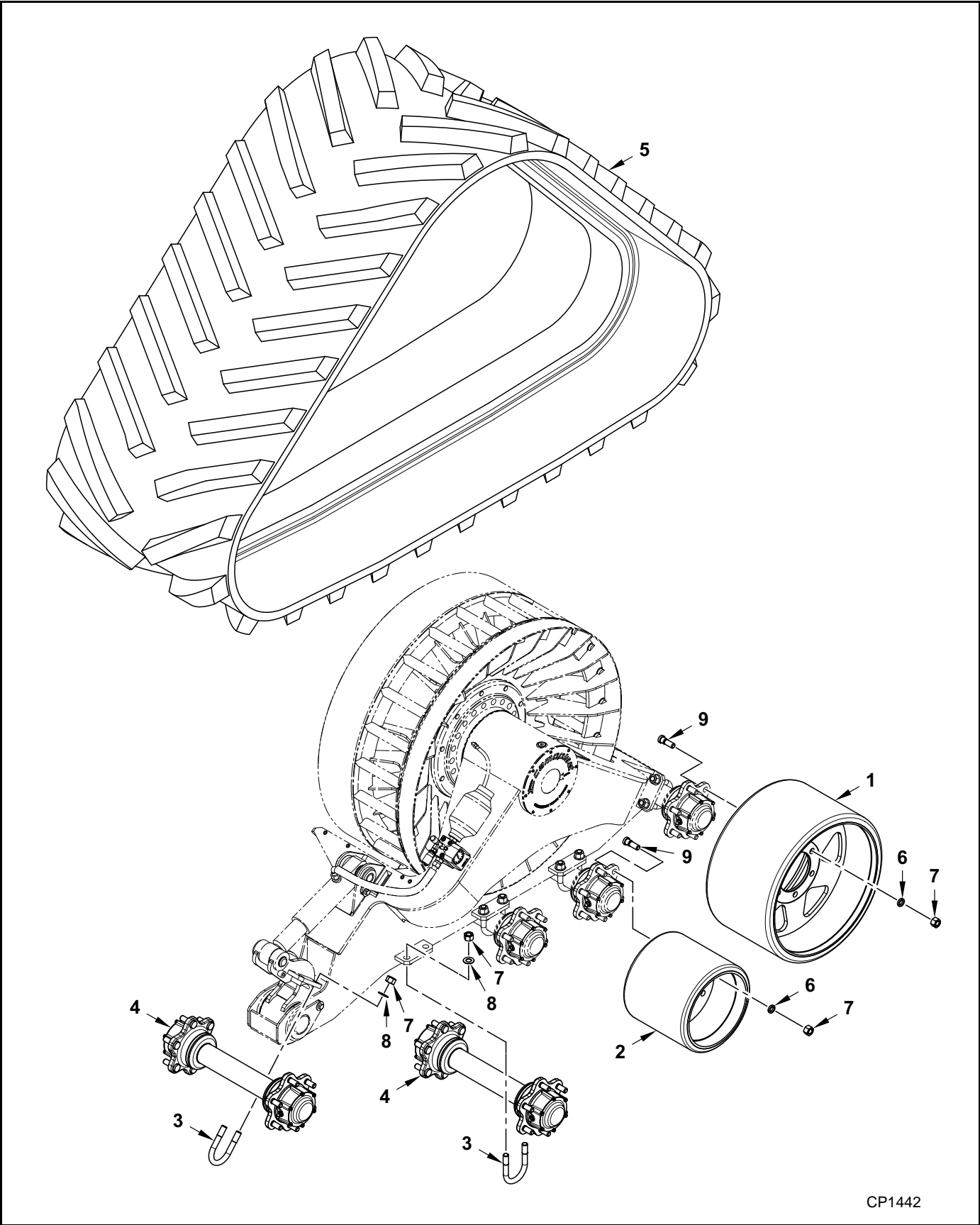
**NON-SUSPENDED COMBINE SYSTEM, MODEL 30 / 36T23A  
S/N 887-2012 THRU TRE0216002**

**Track Tensioning**

(1000060-06Aug2012)

Ref.	FN	Part Number	CTS Series	Qty.	Description
1		1000574		1	HOSE, Tensioner
2		1000573		1	COVER, Manifold
3		1002036		1	MANIFOLD
4		1002037		1	HOSE, Tensioner
5		1002038		1	HOSE, Greaser
6		2F-0291		4	BOLT, Hex, M10 x 100, CI 8.8
7		2F-0295		1	BOLT, M6 X 12, CI 8.8
8		2H-0175		1	PLUG, G 1/4"
9		2H-0179		1	FITTING, Grease
10		2F-0303		2	WASHER, G1/2"
11		2F-0304		2	WASHER, G1/4"
12		2F-0306		1	WASHER, M18
13		2H-0180		1	FITTING
14		2H-0182		1	FITTING
15		2H-0186		1	FITTING
16		2H-0184		1	FITTING
17		2H-0187		2	FITTING. 90°
18		2H-0188		1	VALVE
19		2H-0190		1	GAUGE, Pressure
20		2H-0191		1	FASTENER, Male, 1/4" BSP
21		2H-0192		1	PLUG, Fastener, 1/4" BSP
22		1000359		1	HOSE, Greaser
23		2H-0194		1	ACCUMULATOR, Nitrogen
24		1003998		1	BRACKET, Mounting, Accumulator
25		1000357		1	HOSE
26		2H-0193		1	FITTING, Quick Coupler, Female, 1/4" BSPP

Track, Idler & Roller Wheels



CP1442

**NON-SUSPENDED COMBINE SYSTEM, MODEL 30 / 36T23A  
S/N 887-2012 THRU TRE0216002**

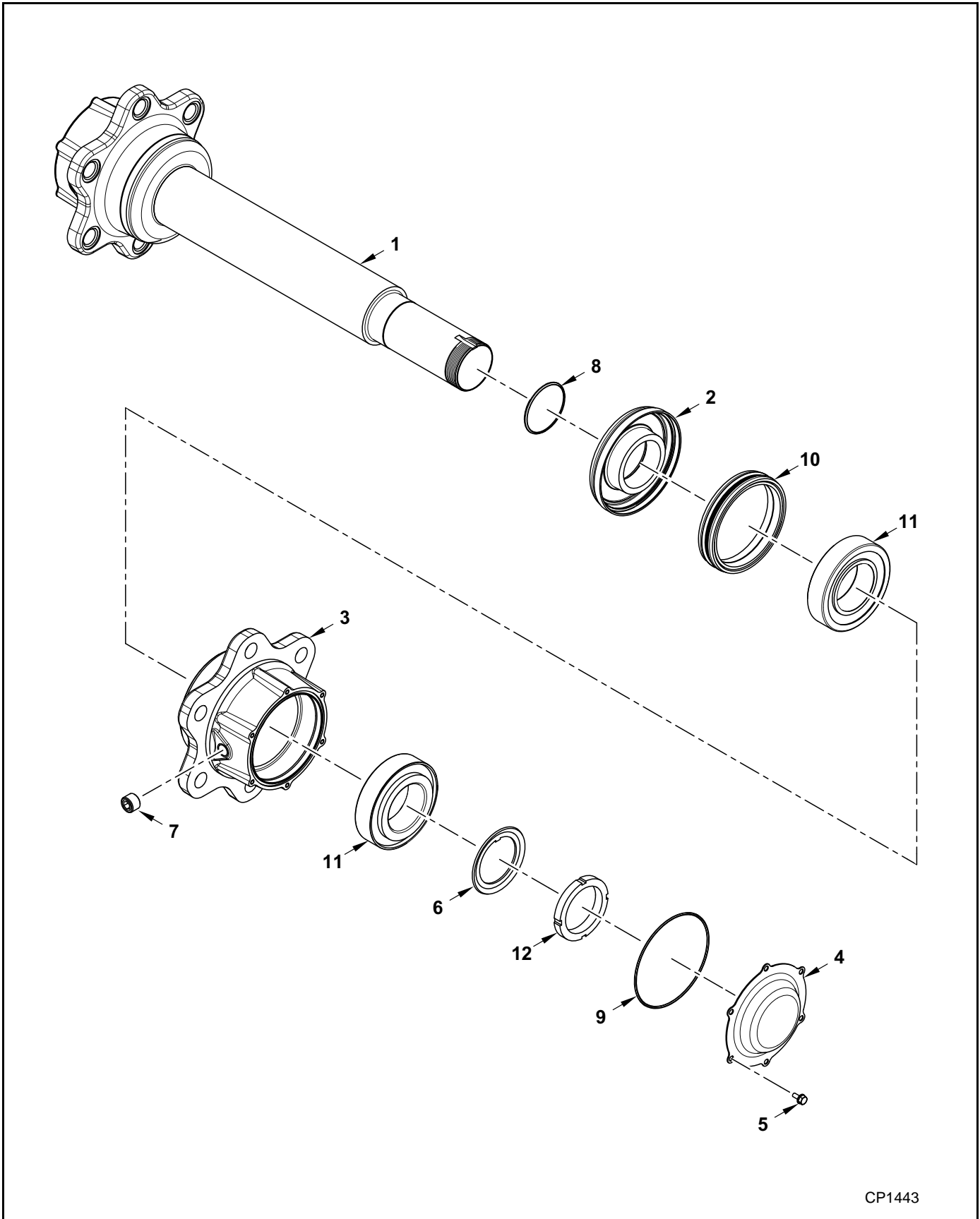
**Track, Idler & Roller Wheels**

(1000060-06Aug2012)

Ref.	FN	Part Number	CTS Series	Qty.	Description
1		1001704	30T23A	4	WHEEL, Idler, 30" Track
		1001700	36T23A	4	WHEEL, Idler, 36" Track
2		1000173	30T23A	6	WHEEL, Roller, 30" Track
		1000198	36T23A	6	WHEEL, Roller, 36" Track
3		1000119		10	U-BOLT
4		1000130	30T23A	5	AXLE ASSY., Idler & Roller Wheel, 30" Track, See page 4-10
		1000120	36T23A	5	AXLE ASSY., Idler & Roller Wheel, 36" Track, See page 4-10
5	1	B30BF03077	30T23A	1	TRACK, 30" X 252"
	1	639-3070	30T23A	1	TRACK, 30" X 252"
	1	B36BF03075	36T23A	1	TRACK, 36" X 252"
	1	639-3630	36T23A	1	TRACK, 36" X 252"
6		2F-0325		60	WASHER, Wedge Locking, M20
7		2F-0296		80	NUT, Hex, M20
8		2F-0275		20	WASHER
9		2F-0298		60	BOLT, Stud, M20 x 60, CI 10.9

1 - Track varies depending on Model Year. Service replacement track is 639-XXXX.

# Axle, Idler & Roller Wheel



CP1443

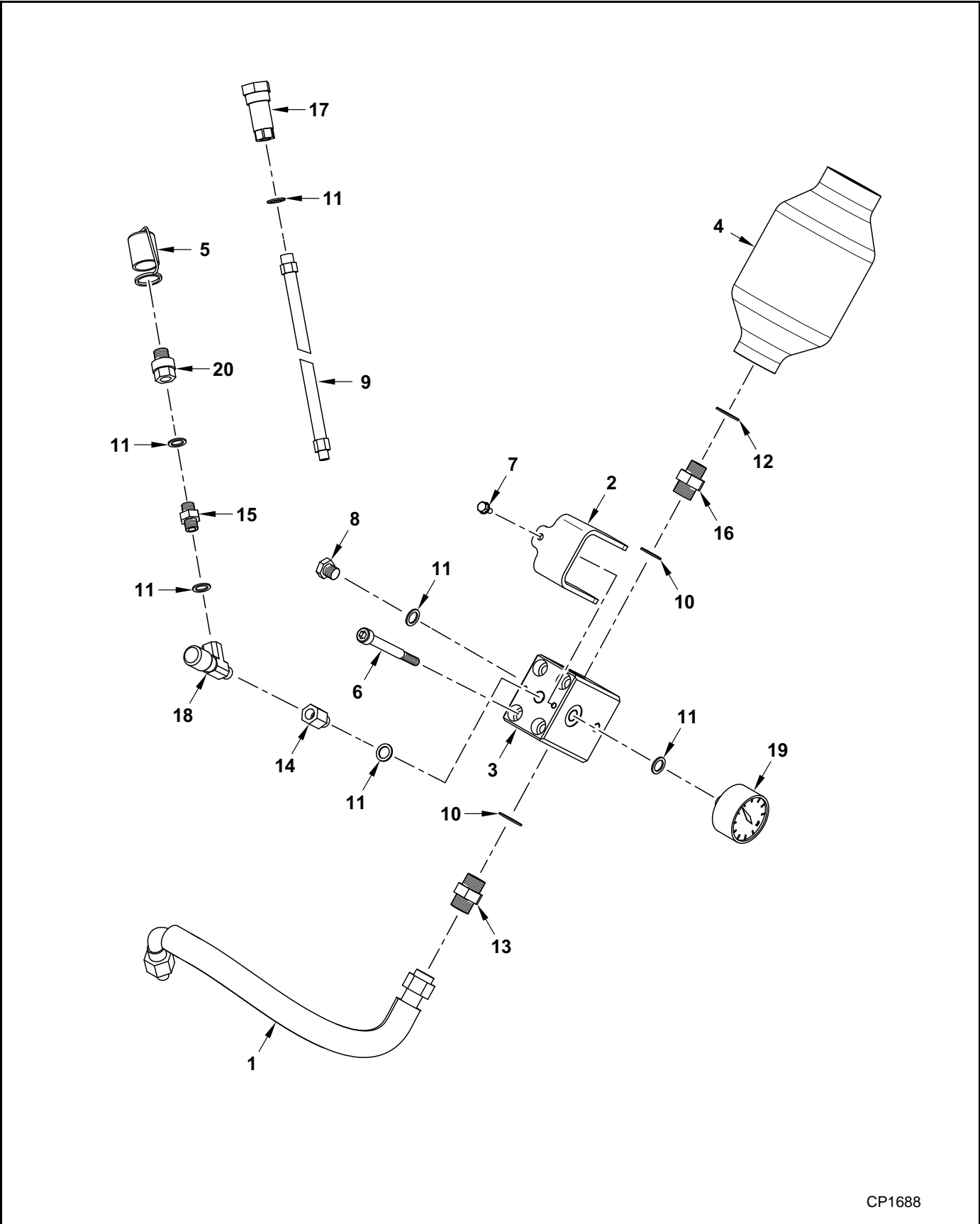
**NON-SUSPENDED COMBINE SYSTEM, MODEL 30 / 36T23A  
S/N 887-2012 THRU TRE0216002**

**Axle, Idler & Roller Wheel**

(1000060-06Aug2012)

Ref.	FN	Part Number	CTS Series	Qty.	Description
		1000130	30T23A	1	AXLE ASSY., Idler & Roller Wheel, 30" Track, Includes items 1 -12
		1000120	36T23A	1	AXLE ASSY., Idler & Roller Wheel, 36" Track, Includes items 1 -12
1		1000131	30T23A	1	AXLE
		1000121	36T23A	1	AXLE
2		1000122		2	RING, Collar
3		1000128		2	HUB
4		1000129		2	CAP, Hub
5		2F-0295		12	BOLT, Hex, M6
6		2F-0302		2	WASHER, Lock
7		2H-0176		2	PLUG, 3/8" BSP
8		2J-0122		2	O-RING, 2.50 x 65
9		2J-0123		2	O-RING, 2.62 x 126
10		2J-0129		2	SEAL, Mechanical
11		2B-0126		4	BEARING, Taper Roller
12		2F-0301		2	NUT, Lock

# Undercarriage & Track Tensioning



CP1688

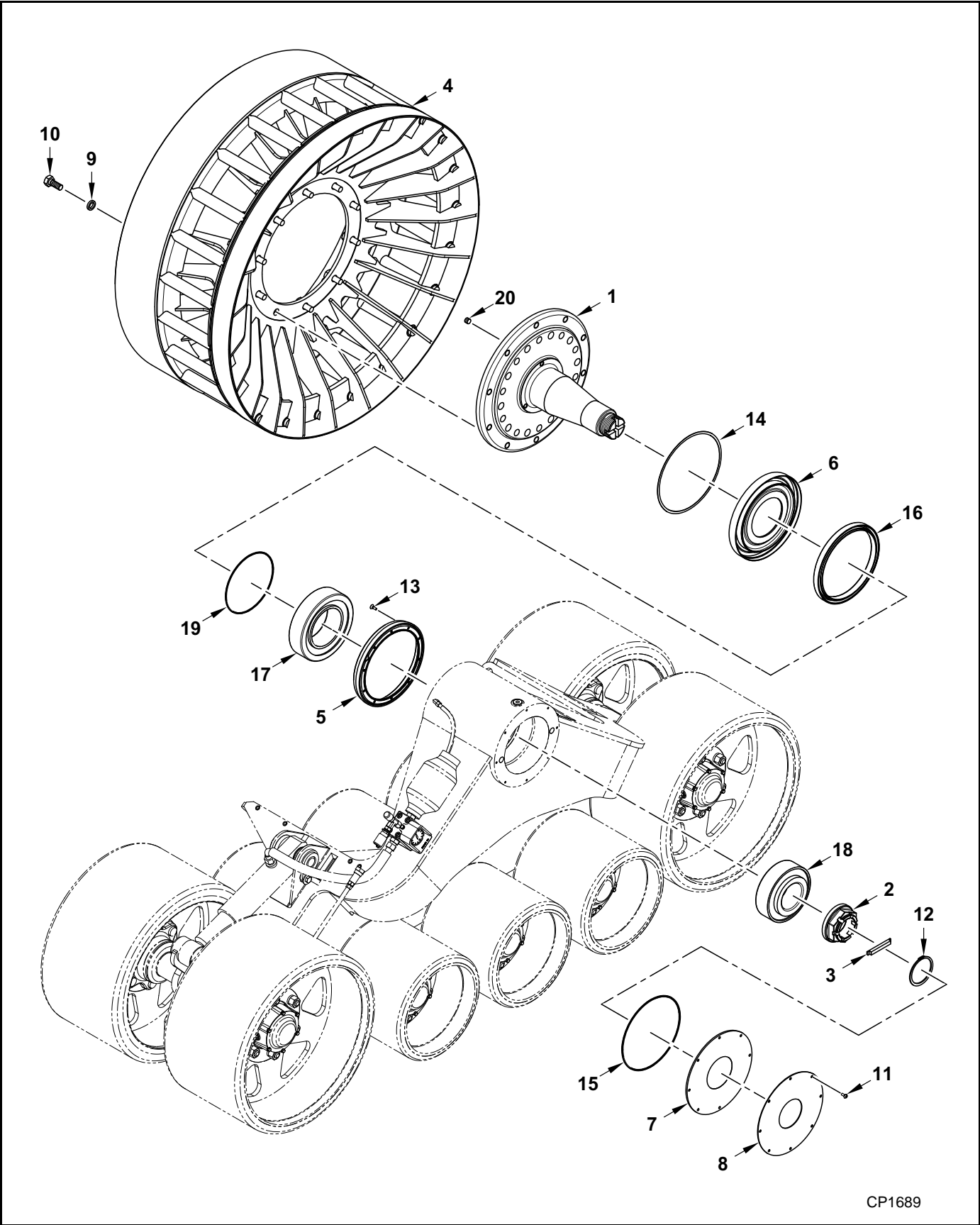
**NON-SUSPENDED COMBINE SYSTEM, MODEL 30 / 36T23A  
S/N TRE0216003 AND LATER**

**Undercarriage & Track Tensioning**

(1000060-06Aug2012)

<b>Ref.</b>	<b>FN</b>	<b>Part Number</b>	<b>CTS Series</b>	<b>Qty.</b>	<b>Description</b>
1		1000399		1	BEARING, Sliding
2		1000400		2	SHIM
3		1000451		1	PIN, Undercarriage-Rod
4		1000462		2	BEARING, Sliding
5		2C-2810-101		1	ARM, Tensioner
6		1001413		1	PIN, Piston Tensioner
7		1002003		1	FRAME, Undercarriage, LH
8		1002004		1	FRAME, Undercarriage, RH
9		1002030		1	PIN, Cylinder Tensioner
10		1002033		1	CYLINDER, Tensioning
11		2F-0272		3	WASHER, M12
12		2F-0278		3	BOLT, Hex, M12 x 20, Cl 8.8
13		2H-0173		1	PLUG, 1/2" BSP
14		2F-0323		2	BOLT, Hex, M20 x 50, Cl 10.9

# Sprocket & Undercarriage Spindle



CP1689



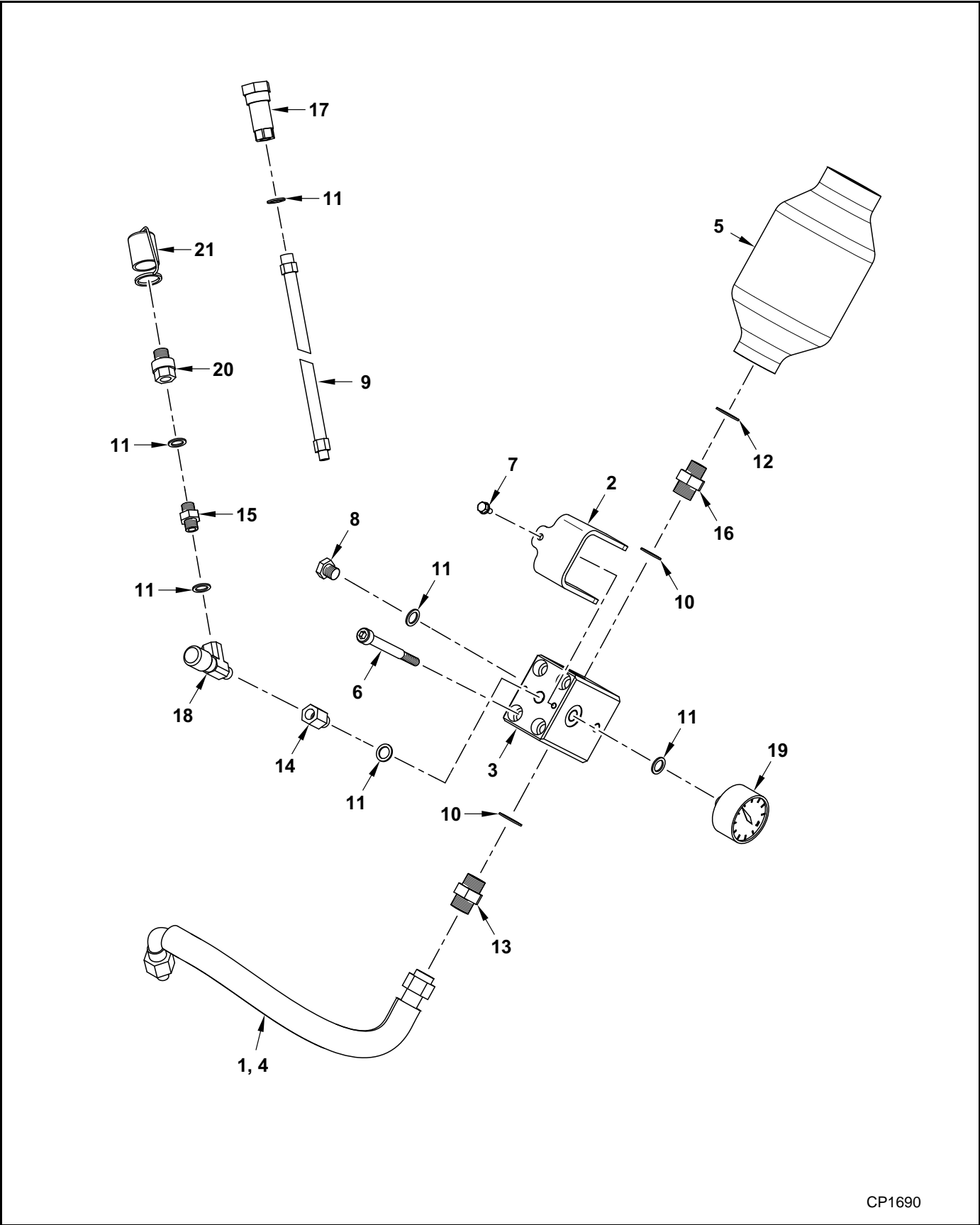
**NON-SUSPENDED COMBINE SYSTEM, MODEL 30 / 36T23A  
S/N TRE0216003 AND LATER**

**Sprocket & Undercarriage Spindle**

(1000060-06Aug2012)

Ref.	FN	Part Number	CTS Series	Qty.	Description
1		1000111		1	SPINDLE, Drive Wheel
2		1000113		1	NUT, Spindle
3		1000114		1	NUT, Lock, Spindle
4		1000231		1	SPROCKET, Drive
5		1001268		1	SEAL, Site
6		2C-3313		1	SHOULDER, Bearing
7		2C-4351-100		1	COVER, Lexan
8		2C-4287-101		1	COVER, Logo
9		2F-0325		10	WASHER, Wedge Locking, M20
10		2F-0347		10	BOLT, Hex, M20 x 45, CI 10.9
11		2F-0357		8	BOLT, Hex
12		2F-0300		1	RING, Retaining
13		2F-0292		10	BOLT, Hex, M10 x 16
14		2J-0124		1	O-RING, 3.53 x 203
15		2J-0125		1	O-RING, 3.53 x 248
16		2J-0140		1	SEAL
17		2B-0170		1	BEARING, Taper Roller
18		2B-0173		1	BEARING, Taper Roller
19		1000197		1	O-RING
20		2H-0236		3	PLUG, Tapered
		2H-0243		3	PLUG, Straight Thread O-ring

Track Tensioning



CP1690

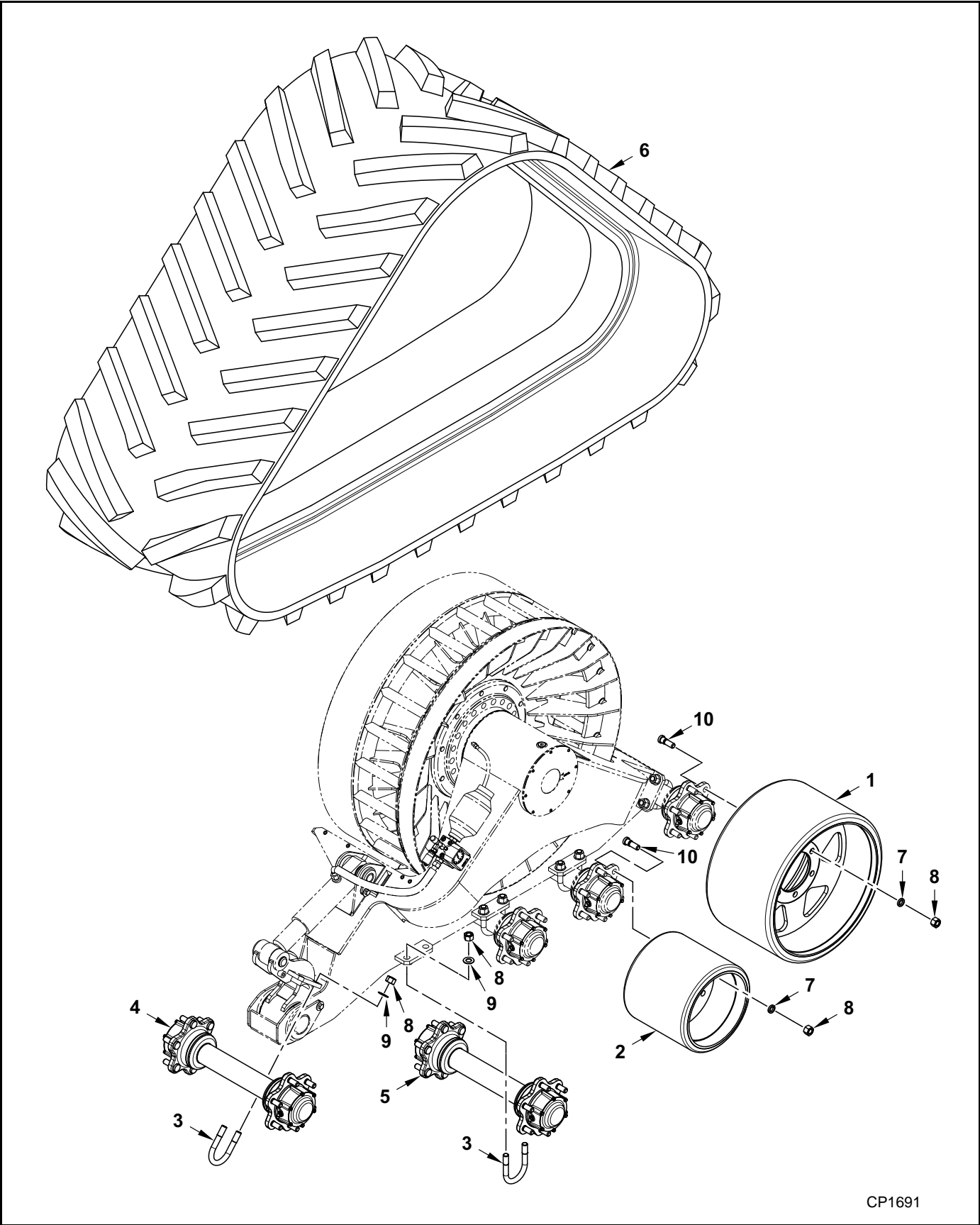
**NON-SUSPENDED COMBINE SYSTEM, MODEL 30 / 36T23A  
S/N TRE0216003 AND LATER**

**Track Tensioning**

(1000060-06Aug2012)

<b>Ref.</b>	<b>FN</b>	<b>Part Number</b>	<b>CTS Series</b>	<b>Qty.</b>	<b>Description</b>
1		1000574		1	HOSE, Tensioner
2		1000573		1	COVER, Manifold
3		1002036		1	MANIFOLD
4		1002037		1	HOSE, Tensioner
5		2H-0194		1	ACCUMULATOR, Nitrogen
6		2F-0291		4	BOLT, Hex, M10 x 100, CI 8.8
7		2F-0295		1	BOLT, M6 X 12, CI 8.8
8		2H-0175		1	PLUG, G 1/4"
9		1000357		1	HOSE
10		2F-0303		2	WASHER, G1/2"
11		2F-0304		2	WASHER, G1/4"
12		2F-0306		1	WASHER, M18
13		2H-0180		1	FITTING
14		2H-0182		1	FITTING
15		2H-0186		1	FITTING
16		2H-0184		1	FITTING
17		2H-0193		1	FITTING, Quick Coupler, Female, 1/4" BSPP
18		2H-0188		1	VALVE
19		2H-0190		1	GAUGE, Pressure
20		2H-0191		1	FASTENER, Male, 1/4" BSP
21		2H-0192		1	PLUG, Fastener, 1/4" BSP

Track, Idler & Roller Wheels



CP1691

**NON-SUSPENDED COMBINE SYSTEM, MODEL 30 / 36T23A  
S/N TRE0216003 AND LATER**

**Track, Idler & Roller Wheels**

(1000060-06Aug2012)

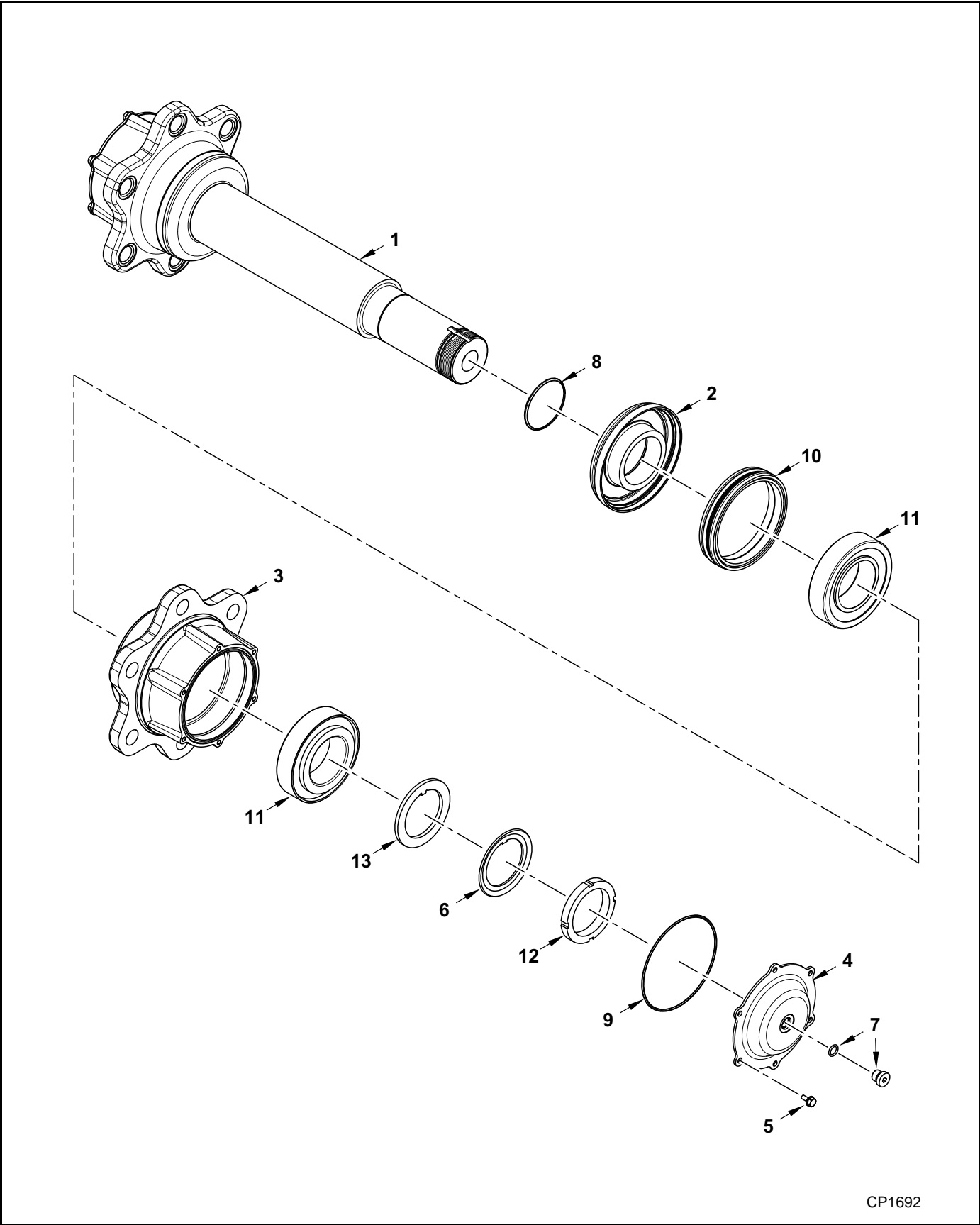
Ref.	FN	Part Number	CTS Series	Qty.	Description
1	2	1001704	30T23A	4	WHEEL, Idler, 30" Track
	3	5W-0357	30T23A	4	WHEEL, Idler, 30" Track (8 bolt hole)
1	2	1001700	36T23A	4	WHEEL, Idler, 36" Track
	3	5W-0351	36T23A	4	WHEEL, Idler, 36" Track (8 bolt hole)
2		1000173	30T23A	6	WHEEL, Roller, 30" Track
		1000198	36T23A	6	WHEEL, Roller, 36" Track
3		1000119		10	U-BOLT
4	2	2A-1316-101	30T23A	2	AXLE ASSY., Idler Wheel, 30" Track (6 bolt hub), See page 5-12
	3	2A-1321-101	30T23A	2	AXLE ASSY., Idler Wheel, 30" Track (8 bolt hub), See page 5-10
	2	2A-1334-101	36T23A	2	AXLE ASSY., Idler Wheel, 36" Track (6 bolt hub), See page 5-12
	3	2A-1323-101	36T23A	2	AXLE ASSY., Idler Wheel, 36" Track (8 bolt hub), See page 5-10
5		2A-1316-101	30T23A	3	AXLE ASSY., Roller Wheel, 30" Track (6 bolt hub), See page 5-12
		2A-1334-101	36T23A	3	AXLE ASSY., Roller Wheel, 36" Track (6 bolt hub), See page 5-12
6	1	B30BF03077	30T23A	1	TRACK, 30" X 252"
	1	639-3070	30T23A	1	TRACK, 30" X 252"
	1	B36BF03075	36T23A	1	TRACK, 36" X 252"
	1	639-3630	36T23A	1	TRACK, 36" X 252"
7	2	2F-0325		60	WASHER, Wedge Locking, M20
	3	2F-0325		68	WASHER, Wedge Locking, M20
8	2	2F-0296		80	NUT, Hex, M20
	3	2F-0296		88	NUT, Hex, M20
9		2F-0275		20	WASHER
10	2	2F-0298		60	BOLT, Stud, M20 x 60, CI 10.9
	3	2F-0298		68	BOLT, Stud, M20 x 60, CI 10.9

1 - Track varies depending on Model Year. Service replacement track is 639-XXXX.

2 - Used on track systems built Prior to S/N TRE0716001.

3 - Used on track systems built After S/N TRE0716009.

Axle, Idler Wheel



CP1692

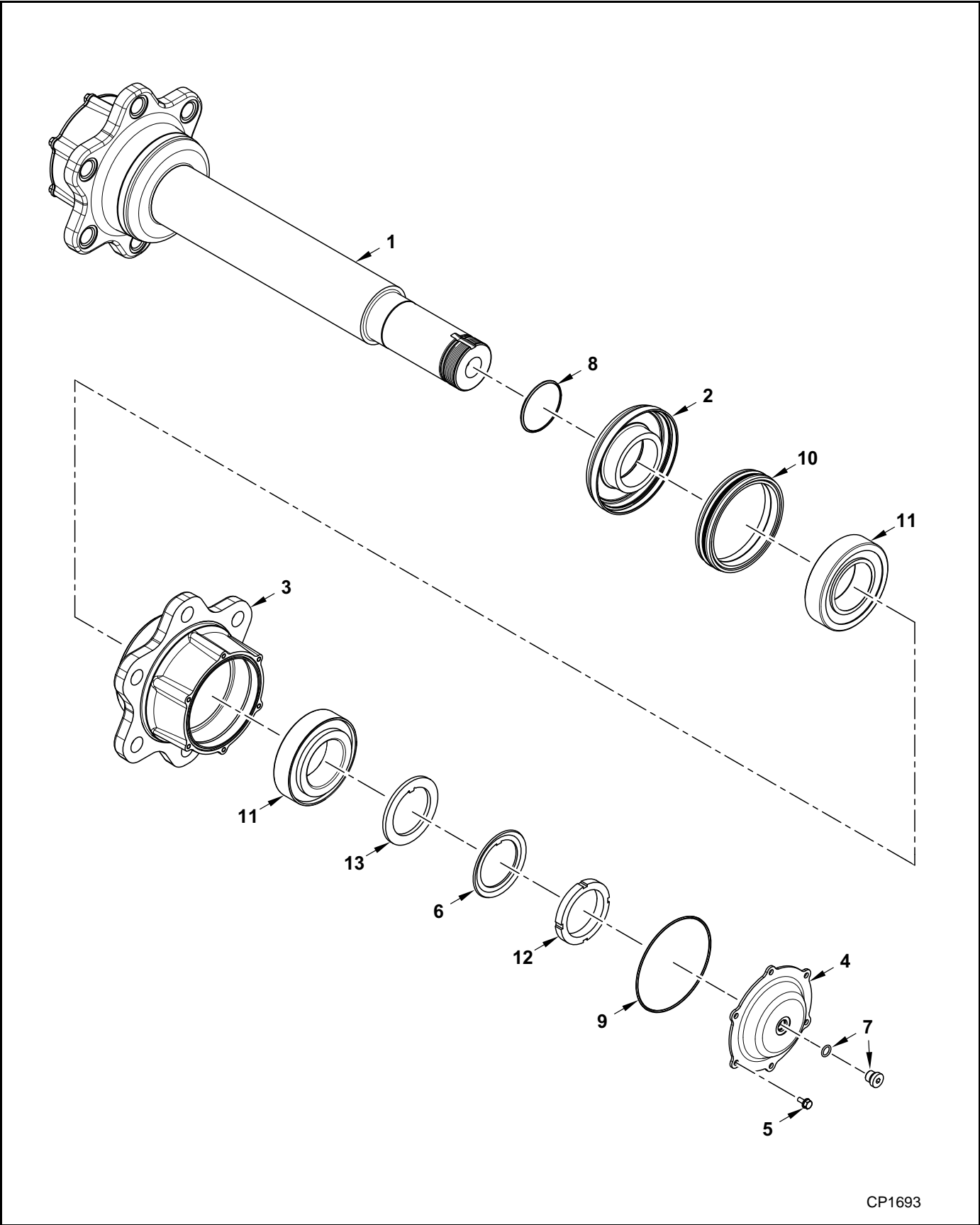
**NON-SUSPENDED COMBINE SYSTEM, MODEL 30 / 36T23A  
S/N TRE0216003 AND LATER**

**Axle, Idler Wheel**

(1000060-06Aug2012)

Ref.	FN	Part Number	CTS Series	Qty.	Description
		2A-1321-101	30T23A	1	AXLE ASSY., Idler Wheel, 30" Track (8 bolt hub), Includes items 1 -12
		2A-1323-101	36T23A	1	AXLE ASSY., Idler Wheel, 36" Track (8 bolt hub), Includes items 1 -12
1		2C-2954-100		1	AXLE, 30" Track
		2C-2955-100		1	AXLE, 36" Track
2		1000122		2	RING, Collar
3		2C-2825-101		2	HUB, 8 Bolt
4		2C-2956-100		2	CAP, Hub
5		2F-0295		12	BOLT, Hex, M6
6		2F-0302		2	WASHER, Lock
7		2H-0243		2	PLUG, M14
8		2J-0122		2	O-RING, 2.50 x 65
9		2J-0123		2	O-RING, 2.62 x 126
10		2J-0129		2	SEAL, Mechanical
11		2B-0171		4	BEARING, Taper Roller
12		2F-0301		2	NUT, Lock
13		2C-2923-100		2	WASHER, Locking Tab

Axle, Roller Wheel



CP1693



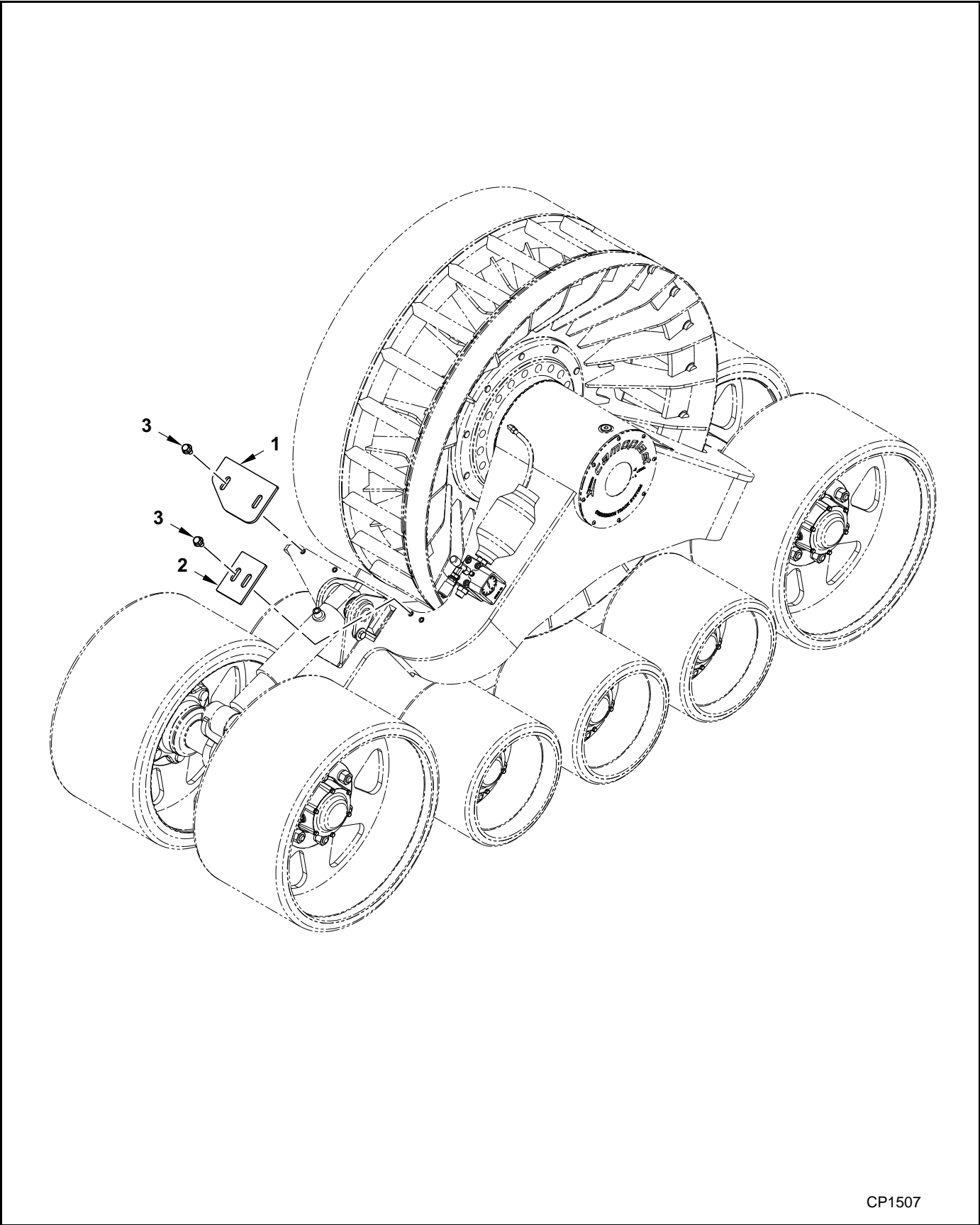
**NON-SUSPENDED COMBINE SYSTEM, MODEL 30 / 36T23A  
S/N TRE0216003 AND LATER**

**Axle, Idler & Roller Wheel**

(1000060-06Aug2012)

Ref.	FN	Part Number	CTS Series	Qty.	Description
		2A1316-101	30T23A	1	AXLE ASSY., Roller Wheel, 30" Track (6 bolt hub), Includes items 1 -12
		2A-1334-101	36T23A	1	AXLE ASSY., Roller Wheel, 36" Track (6 bolt hub), Includes items 1 -12
1		2C-2954-100		1	AXLE, 30" Track
		2C-2955-100		1	AXLE, 36" Track
2		1000122		2	RING, Collar
3		2C-2953-100			HUB, 6 Bolt
4		2C-2956-100		2	CAP, Hub
5		2F-0295		12	BOLT, Hex, M6
6		2F-0302		2	WASHER, Lock
7		2H-0243		2	PLUG, M14
8		2J-0122		2	O-RING, 2.50 x 65
9		2J-0123		2	O-RING, 2.62 x 126
10		2J-0129		2	SEAL, Mechanical
11		2B-0171		4	BEARING, Taper Roller
12		2F-0301		2	NUT, Lock
13		2C-2923-100		2	WASHER, Locking Tab

Kit, Scraper



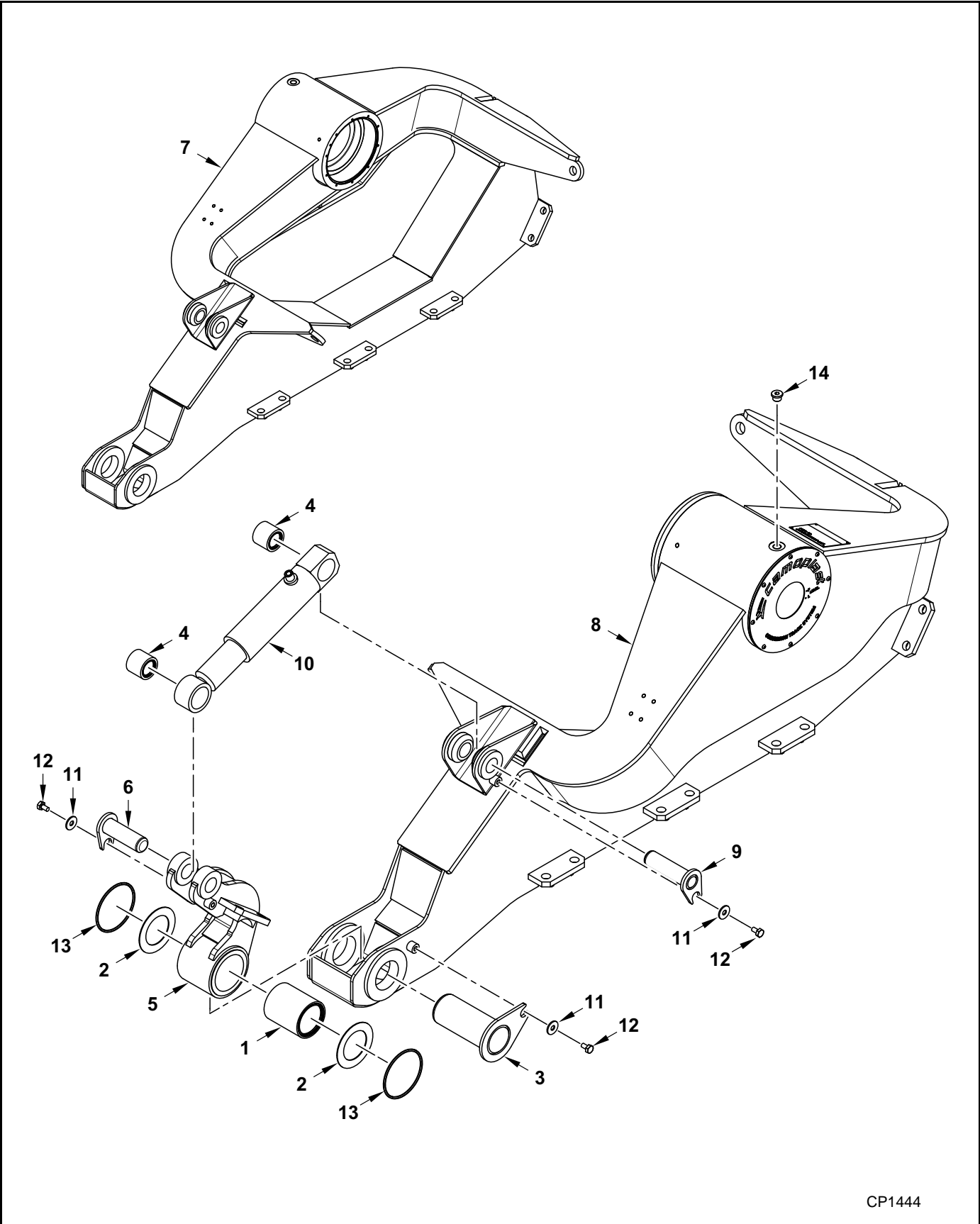
CP1507

# NON-SUSPENDED COMBINE SYSTEM, MODEL 30 / 36T23A

Kit, Scraper

Ref.	FN	Part Number	CTS Series	Qty.	Description
		2K-0106	30T23A	1	KIT, Scraper, Mud, Includes items 1 - 3
			36T23A	1	KIT, Scraper, Mud, Includes items 1 - 3
1		2C-2766		1	PLATE, Scraper, Inboard
2		2C-2760		1	PLATE, Scaper, Outboard
3		2F-0079		4	BOLT, Hex

# Undercarriage & Track Tensioning



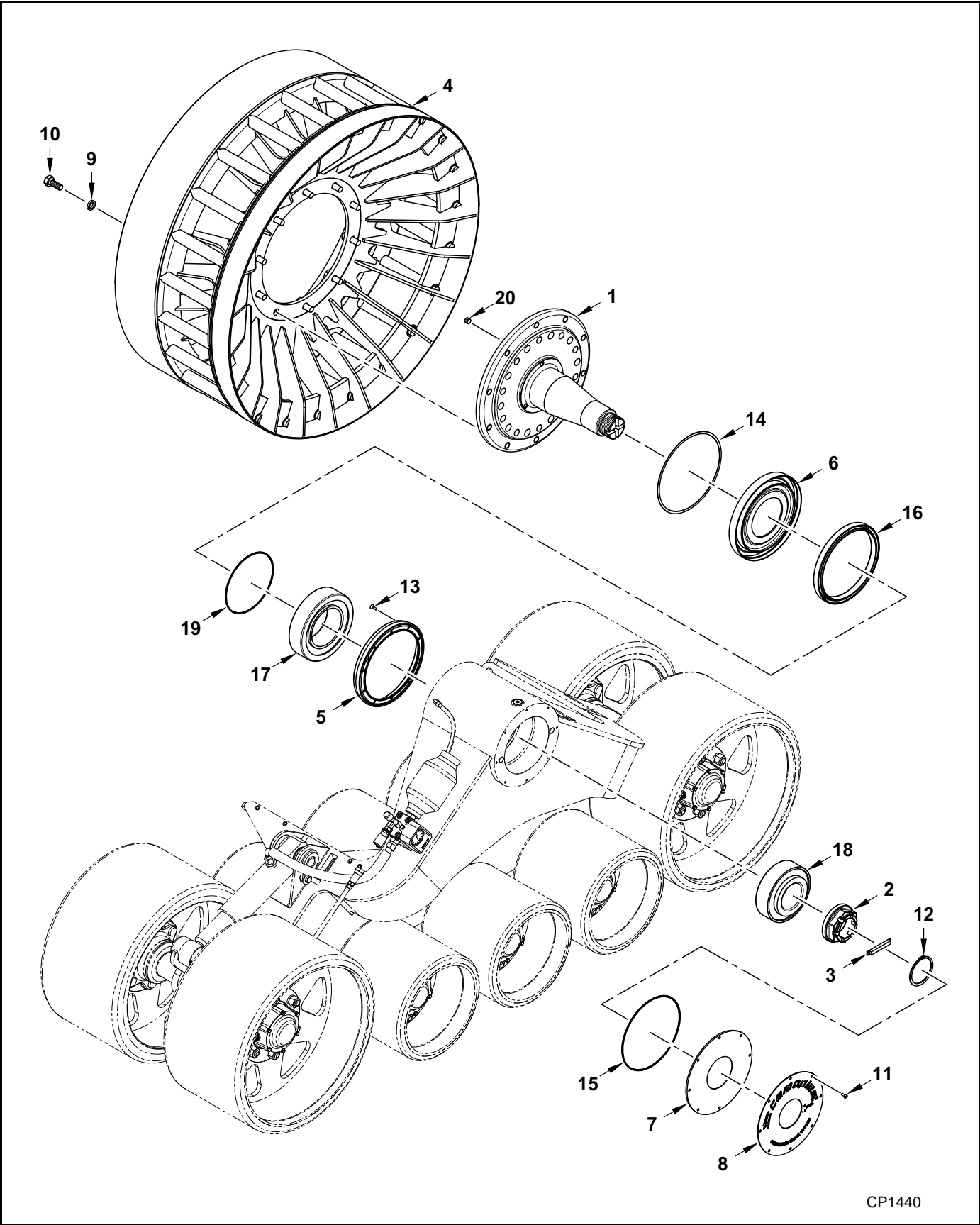
CP1444

**NON-SUSPENDED COMBINE SYSTEM, MODEL 30 / 36T23N**  
**S/N 887-2012 THRU TRE0216002**

**Undercarriage & Track Tensioning**

<b>Ref.</b>	<b>FN</b>	<b>Part Number</b>	<b>CTS Series</b>	<b>Qty.</b>	<b>Description</b>
1		1000399		1	BEARING, Sliding
2		1000400		2	SHIM
3		1000451		1	PIN, Undercarriage-Rod
4		1000462		2	BEARING, Sliding
5		1001406		1	ARM, Tensioner
6		1001413		1	PIN, Piston Tensioner
7		1002203		1	FRAME, LH, Undercarriage
8		1002204		1	FRAME, RH, Undercarriage
9		1002030		1	PIN, Cylinder Tensioner
10		1002033		1	CYLINDER, Tensioning
11		2F-0272		3	WASHER, M12
12		2F-0278		3	BOLT, Hex, M12 x 20, Cl 8.8
13		2J-0126		2	O-RING, 5 X 120
14		2H-0173		1	PLUG, 1/2" BSP

# Sprocket & Undercarriage Spindle



CP1440

**NON-SUSPENDED COMBINE SYSTEM, MODEL 30 / 36T23N  
S/N 887-2012 THRU TRE0216002**

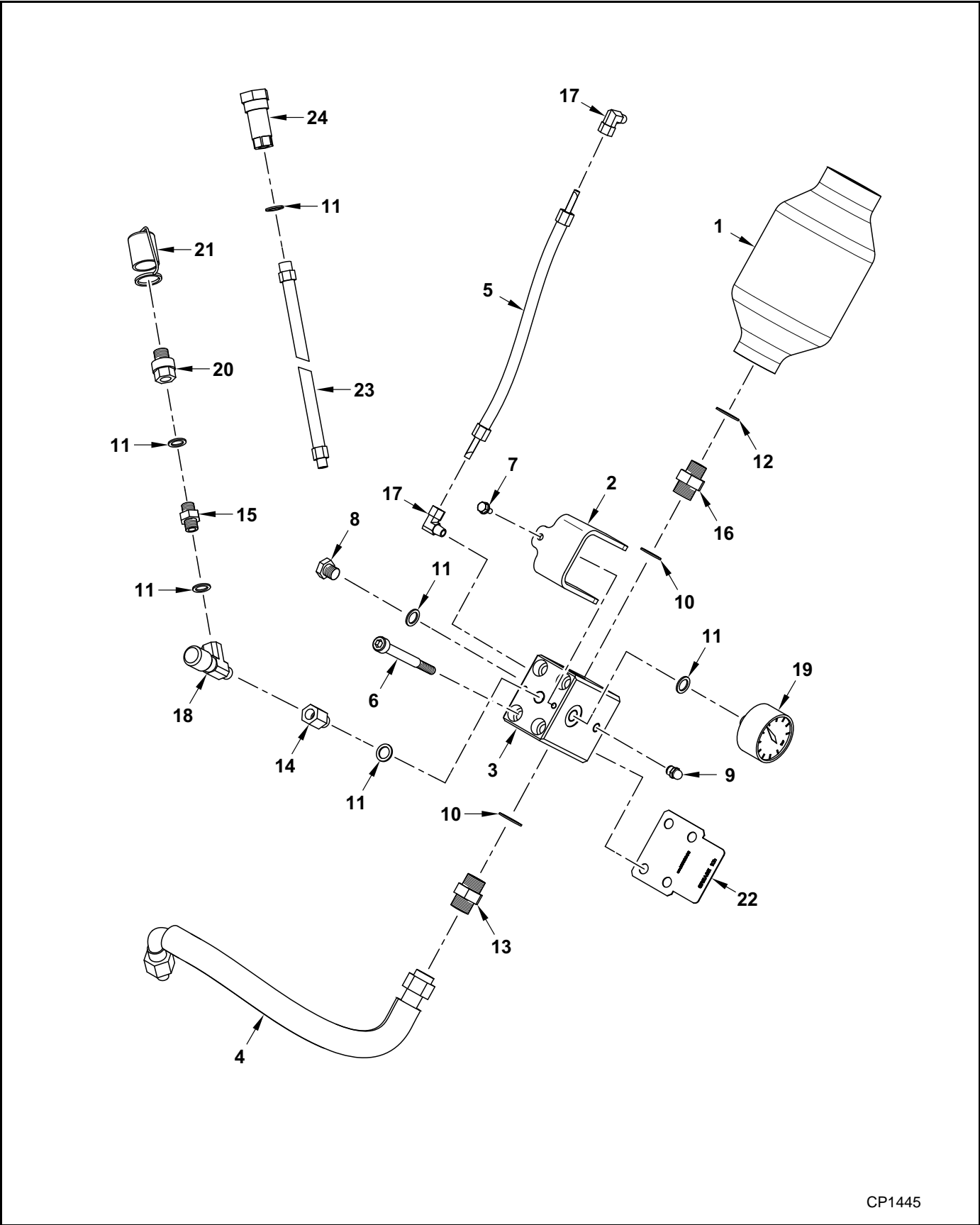
**Sprocket & Undercarriage Spindle**

Ref.	FN	Part Number	CTS Series	Qty.	Description
1		1000111		1	SPINDLE, Drive Wheel
2		1000113		1	NUT, Spindle
3		1000114		1	NUT, Lock, Spindle
4		1000231		1	SPROCKET, Drive
5		1001268		1	SEAL, Site
6		1000196		1	BEARING, Shoulder
7		1003153		1	COVER, Lexan
8		2C-2156		1	COVER, Logo
9		2F-0325		10	WASHER, Wedge Locking, M20
10		2F-0347		10	BOLT, Hex, M20 x 45, Cl 10.9
11		2F-0329		8	BOLT, Hex, M16 x 16
12		2F-0300		1	RING, Retaining
13		2F-0292		10	BOLT, Hex, M10 x 16
14		1000197		1	O-RING
15		2J-0125		1	O-RING, 3.53 x 248
16		2J-0140		1	SEAL
17		2B-0127		1	BEARING, Taper Roller
18		2B-0128		1	BEARING, Taper Roller
19		2J-0124		1	O-RING, 3.53 x 203
20	1	2H-0236		3	PLUG, Tapered

1 - MY2015 and Later

**Note: Main Support Bearing update kit available. Please contact your Camso dealer for more information.**

# Track Tensioning



CP1445

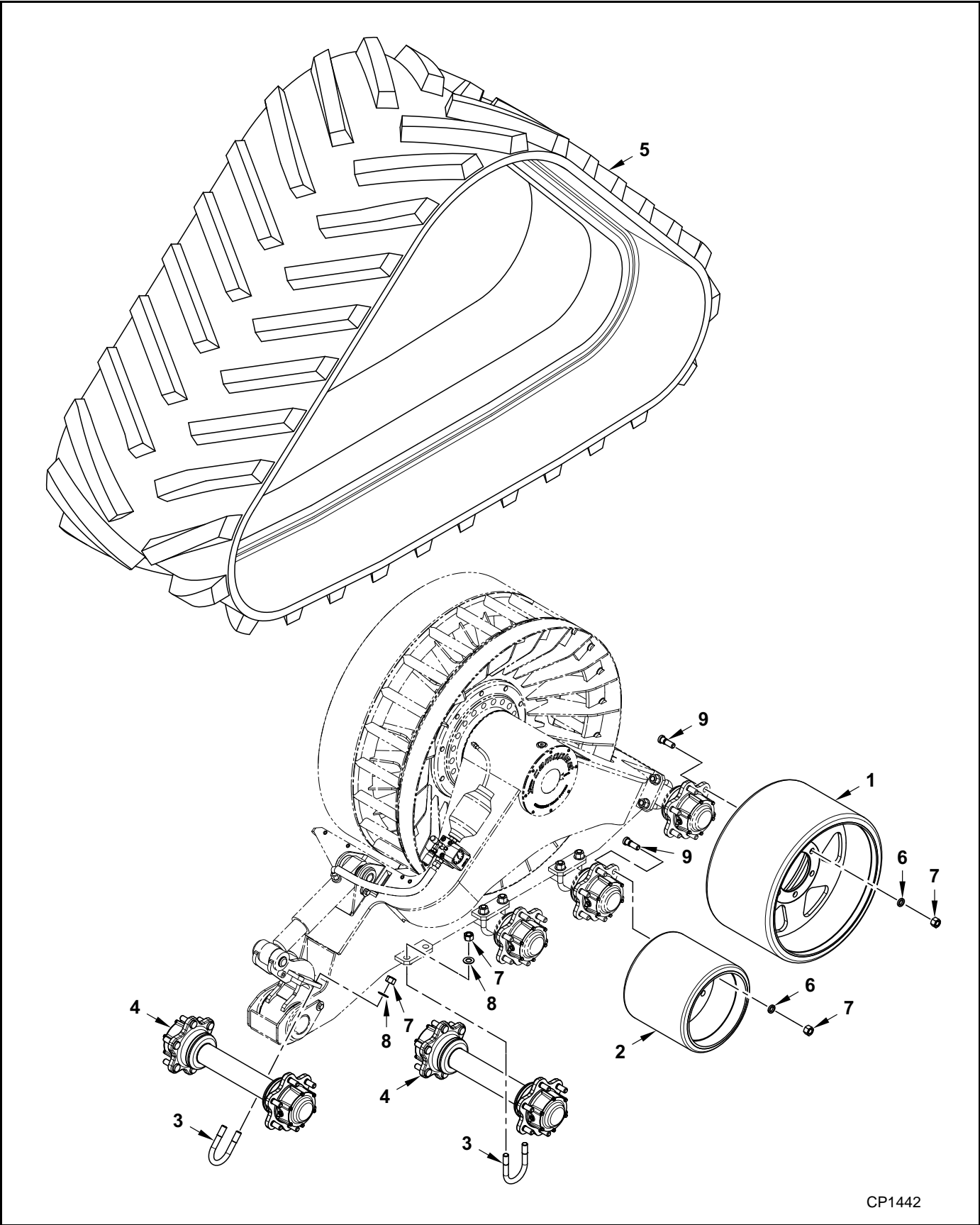


**NON-SUSPENDED COMBINE SYSTEM, MODEL 30 / 36T23N**  
**S/N 887-2012 THRU TRE0216002**

**Track Tensioning**

Ref.	FN	Part Number	CTS Series	Qty.	Description
1		2H-0194		1	ACCUMULATOR, Nitrogen
2		1000573		1	COVER, Manifold
3		1002036		1	MANIFOLD
4		1002037		1	HOSE, Tensioner
5		1002038		1	HOSE, Greaser
6		2F-0291		4	BOLT, Hex, M10 x 100, CI 8.8
7		2F-0295		1	BOLT, M6 X 12, CI 8.8
8		2H-0175		1	PLUG, G 1/4"
9		2H-0179		1	FITTING, Grease
10		2F-0303		2	WASHER, G1/2"
11		2F-0304		2	WASHER, G1/4"
12		2F-0306		1	WASHER, M18
13		2H-0180		1	FITTING
14		2H-0182		1	FITTING
15		2H-0183		1	FITTING, Adapter Straight, 1/4" BSPP
16		2H-0184		1	FITTING
17		2H-0187		2	FITTING. 90°
18		2H-0188		1	VALVE
19		2H-0190		1	GAUGE, Pressure
20		2H-0191		1	FASTENER, Male, 1/4" BSP
21		2H-0192		1	PLUG, Fastener, 1/4" BSP
22		1003998		1	BRACKET, Mounting, Accumulator
23		1000357		1	HOSE
24		2H-0193		1	FITTING, Quick Coupler, Female, 1/4" BSPP

Track, Idler & Roller Wheels



CP1442

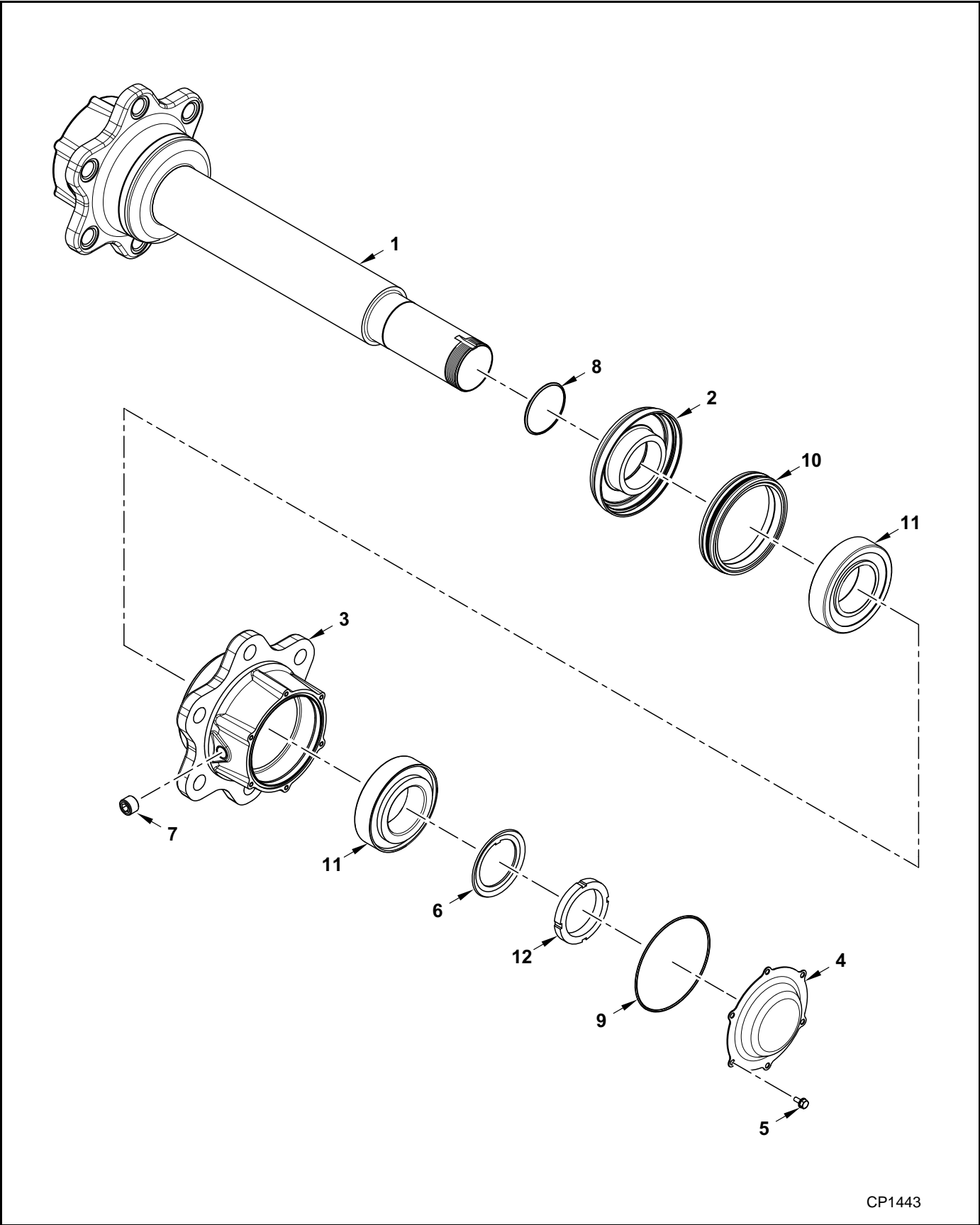
**NON-SUSPENDED COMBINE SYSTEM, MODEL 30 / 36T23N  
S/N 887-2012 THRU TRE0216002**

**Track, Idler & Roller Wheels**

Ref.	FN	Part Number	CTS Series	Qty.	Description
1		1001704	30T23N	4	WHEEL, Idler, 30" Track
		1001700	36T23N	4	WHEEL, Idler, 36" Track
2		1000173	30T23N	6	WHEEL, Roller, 30" Track
		1000198	36T23N	6	WHEEL, Roller, 36" Track
3		1000119		10	U-BOLT
4		1000130	30T23N	5	AXLE ASSY., Idler & Roller Wheel, 30" Track, See page 6-10
		1000120	36T23N	5	AXLE ASSY., Idler & Roller Wheel, 36" Track, See page 6-10
5	1	B30BF03077	30T23N	1	TRACK, 30" X 252"
	1	639-3070	30T23N	1	TRACK, 30" X 252"
	1	B36BF03075	36T23N	1	TRACK, 36" X 252"
	1	639-3630	36T23N	1	TRACK, 36" X 252"
6		2F-0325		60	WASHER, Wedge Locking, M20
7		2F-0296		80	NUT, Hex, M20
8		2F-0275		20	WASHER
9		2F-0298		60	BOLT, Stud, M20 x 60, CI 10.9

1 - Track varies depending on Model Year. Service replacement track is 639-XXXX.

Axle, Idler & Roller Wheel



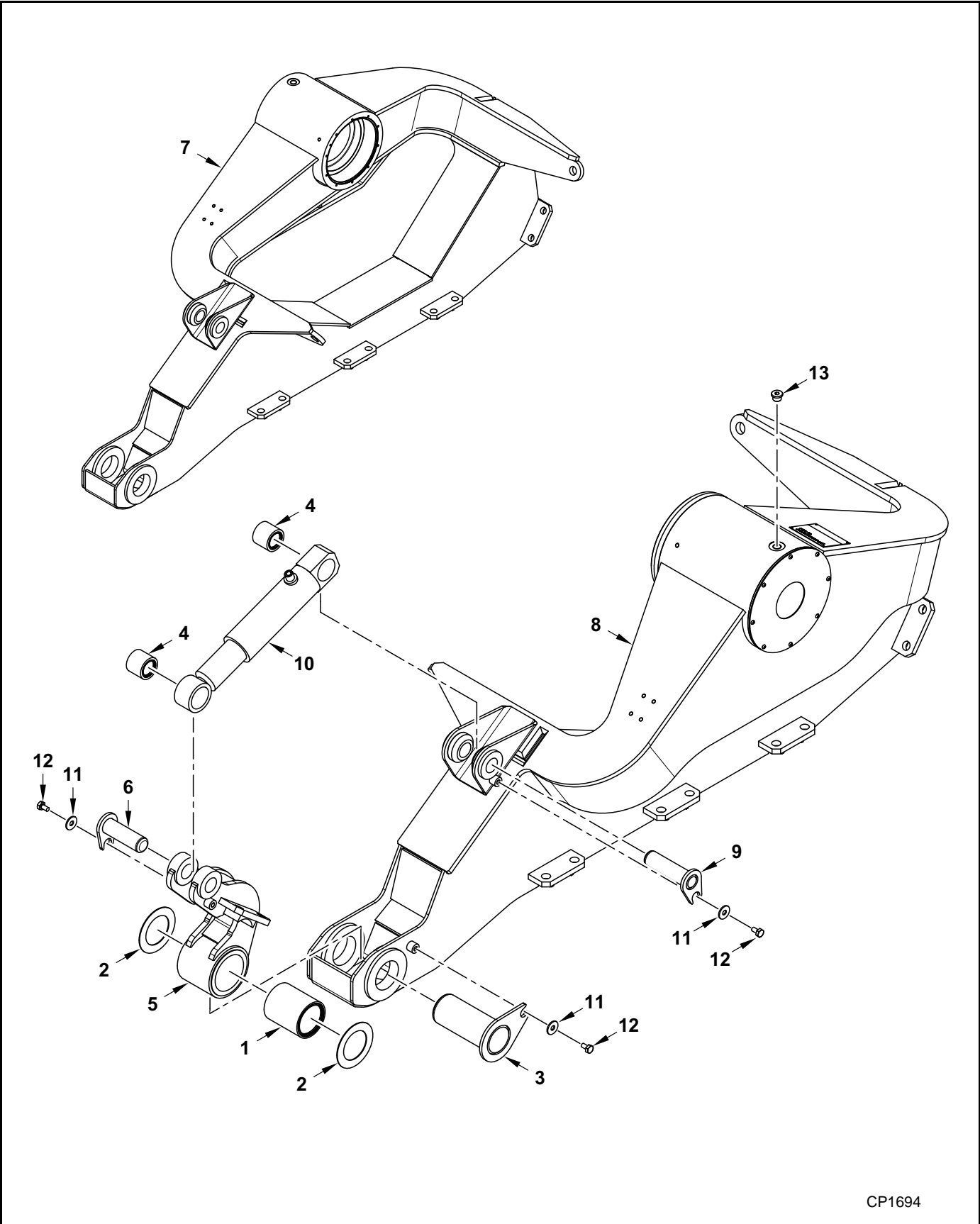
CP1443

**NON-SUSPENDED COMBINE SYSTEM, MODEL 30 / 36T23N  
S/N 887-2012 THRU TRE0216002**

**Axle, Idler & Roller Wheel**

<b>Ref.</b>	<b>FN</b>	<b>Part Number</b>	<b>CTS Series</b>	<b>Qty.</b>	<b>Description</b>
		1000130	30T23N	1	AXLE ASSY., Idler & Roller Wheel, 30" Track, Includes items 1 - 12
		1000120	36T23N	1	AXLE ASSY., Idler & Roller Wheel, 36" Track, Includes items 1 - 12
1		1000131	30T23N	1	AXLE
		1000121	36T23N	1	AXLE
2		1000122		2	RING, Collar
3		1000128		2	HUB
4		1000129		2	CAP, Hub
5		2F-0295		12	BOLT, Hex, M6
6		2F-0302		2	WASHER, Lock
7		2H-0176		2	PLUG, 3/8" BSP
8		2J-0122		2	O-RING, 2.50 x 65
9		2J-0123		2	O-RING, 2.62 x 126
10		2J-0129		2	SEAL, Mechanical
11		2B-0126		4	BEARING, Taper Roller
12		2F-0301		2	NUT, Lock

# Undercarriage & Track Tensioning



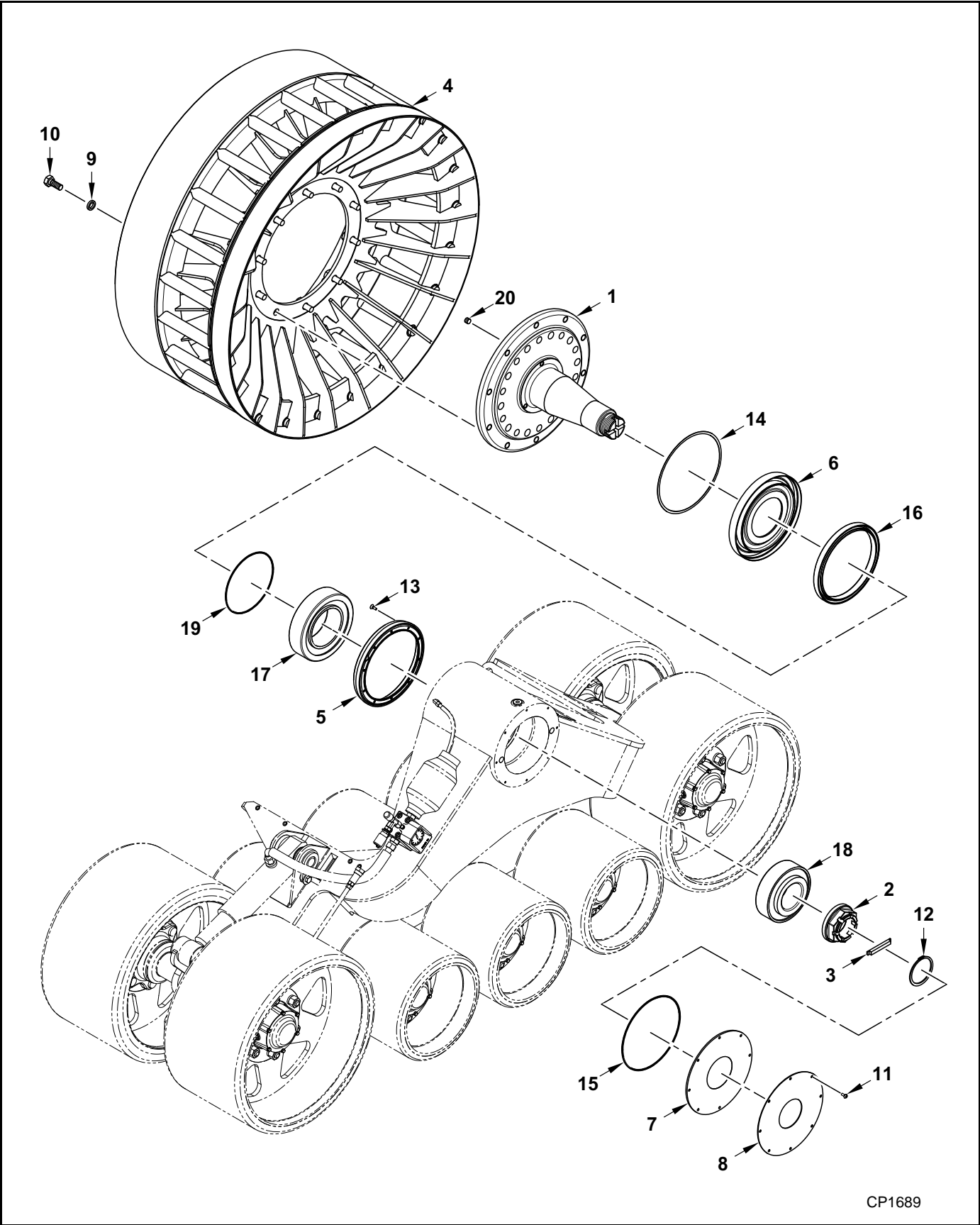
CP1694

**NON-SUSPENDED COMBINE SYSTEM, MODEL 30 / 36T23N  
S/N TRE0216003 AND LATER**

**Undercarriage & Track Tensioning**

<b>Ref.</b>	<b>FN</b>	<b>Part Number</b>	<b>CTS Series</b>	<b>Qty.</b>	<b>Description</b>
1		1000399		1	BEARING, Sliding
2		1000400		2	SHIM
3		1000451		1	PIN, Undercarriage-Rod
4		1000462		2	BEARING, Sliding
5		2C-2810-101		1	ARM, Tensioner
6		1001413		1	PIN, Piston Tensioner
7		1002203		1	FRAME, LH, Undercarriage
8		1002204		1	FRAME, RH, Undercarriage
9		1002030		1	PIN, Cylinder Tensioner
10		1002033		1	CYLINDER, Tensioning
11		2F-0272		3	WASHER, M12
12		2F-0278		3	BOLT, Hex, M12 x 20, Cl 8.8
13		2H-0173		1	PLUG, 1/2" BSP

Sprocket & Undercarriage Spindle



CP1689

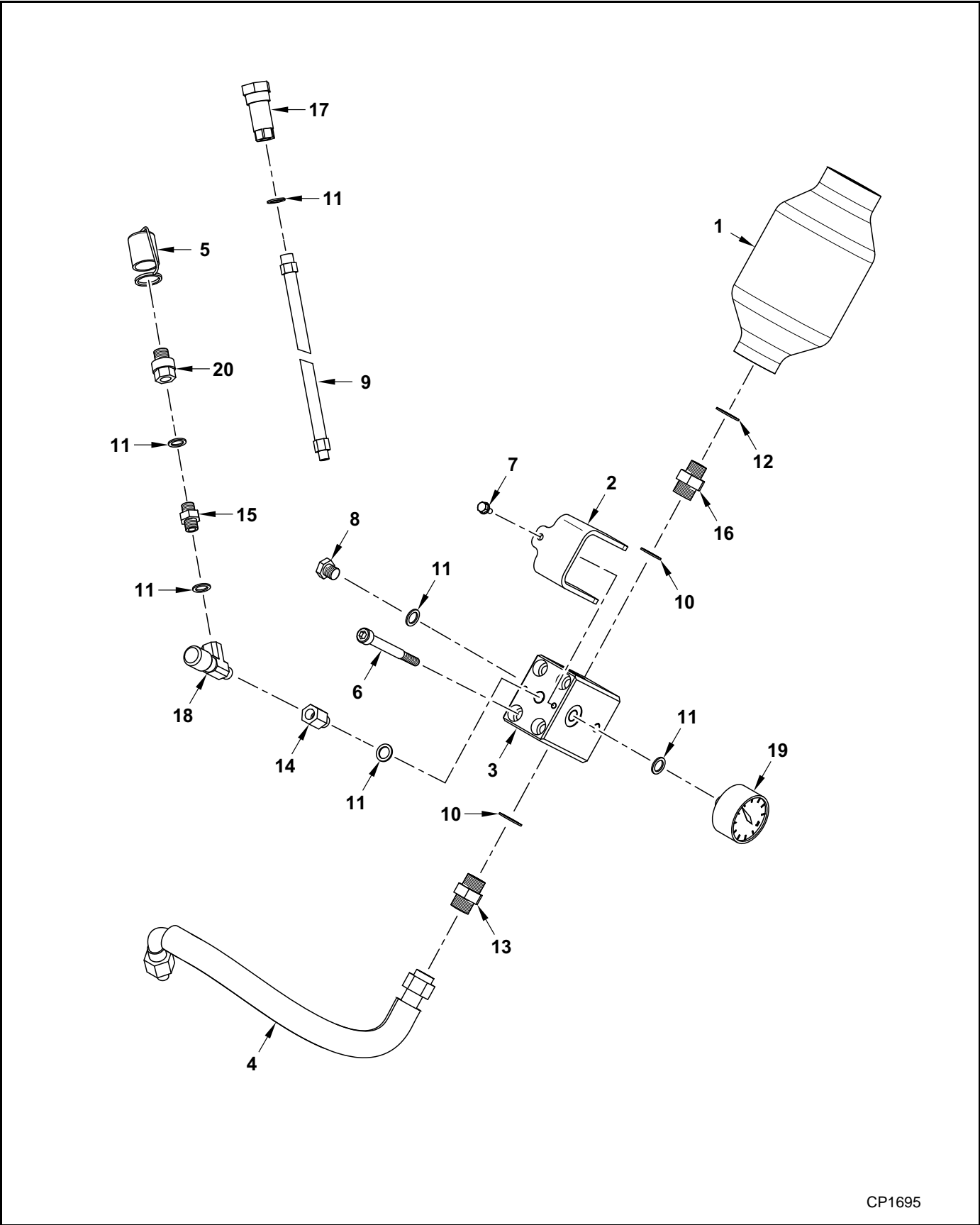


**NON-SUSPENDED COMBINE SYSTEM, MODEL 30 / 36T23N  
S/N TRE0216003 AND LATER**

**Sprocket & Undercarriage Spindle**

Ref.	FN	Part Number	CTS Series	Qty.	Description
1		1000111		1	SPINDLE, Drive Wheel
2		1000113		1	NUT, Spindle
3		1000114		1	NUT, Lock, Spindle
4		1000231		1	SPROCKET, Drive
5		1001268		1	SEAL, Site
6		1000196		1	BEARING, Shoulder
7		2C-4351-100		1	COVER, Lexan
8		2C-4287-101		1	COVER, Logo
9		2F-0325		10	WASHER, Wedge Locking, M20
10		2F-0347		10	BOLT, Hex, M20 x 45, Cl 10.9
11		2F-0357		8	BOLT, Hex, M16 x 16
12		2F-0300		1	RING, Retaining
13		2F-0292		10	BOLT, Hex, M10 x 16
14		2J-0124		1	O-RING, 3.53 x 203
15		2J-0125		1	O-RING, 3.53 x 248
16		2J-0140		1	SEAL
17		2B-0170		1	BEARING, Taper Roller
18		2B-0173		1	BEARING, Taper Roller
19		1000197		1	O-RING
20		2H-0236		3	PLUG, Tapered
		2H-0243		3	PLUG, Straight Thread O-ring

# Track Tensioning



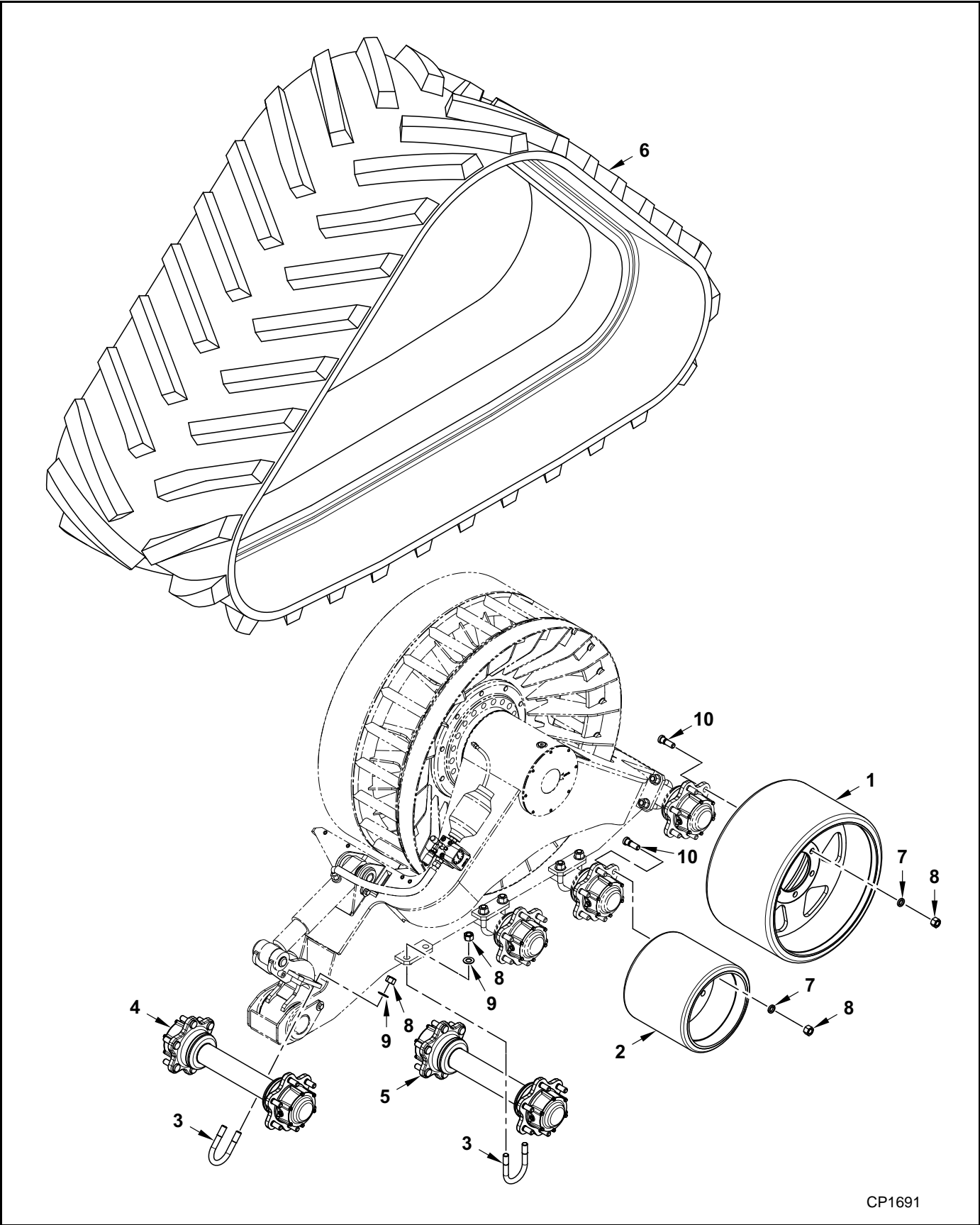
CP1695

**NON-SUSPENDED COMBINE SYSTEM, MODEL 30 / 36T23N  
S/N TRE0216003 AND LATER**

**Track Tensioning**

<b>Ref.</b>	<b>FN</b>	<b>Part Number</b>	<b>CTS Series</b>	<b>Qty.</b>	<b>Description</b>
1		2H-0194		1	ACCUMULATOR, Nitrogen
2		1000573		1	COVER, Manifold
3		1002036		1	MANIFOLD
4		1002037		1	HOSE, Tensioner
5		2H-0192		1	PLUG, Fastener, 1/4" BSP
6		2F-0291		4	BOLT, Hex, M10 x 100, CI 8.8
7		2F-0295		1	BOLT, M6 X 12, CI 8.8
8		2H-0175		1	PLUG, G 1/4"
9		1000357		1	HOSE
10		2F-0303		2	WASHER, G1/2"
11		2F-0304		2	WASHER, G1/4"
12		2F-0306		1	WASHER, M18
13		2H-0180		1	FITTING
14		2H-0182		1	FITTING
15		2H-0183		1	FITTING, Adapter Straight, 1/4" BSPP
16		2H-0184		1	FITTING
17		2H-0193		1	FITTING, Quick Coupler, Female, 1/4" BSPP
18		2H-0188		1	VALVE
19		2H-0190		1	GAUGE, Pressure
20		2H-0191		1	FASTENER, Male, 1/4" BSP

Track, Idler & Roller Wheels



CP1691

**NON-SUSPENDED COMBINE SYSTEM, MODEL 30 / 36T23N  
S/N TRE0216003 AND LATER**

**Track, Idler & Roller Wheels**

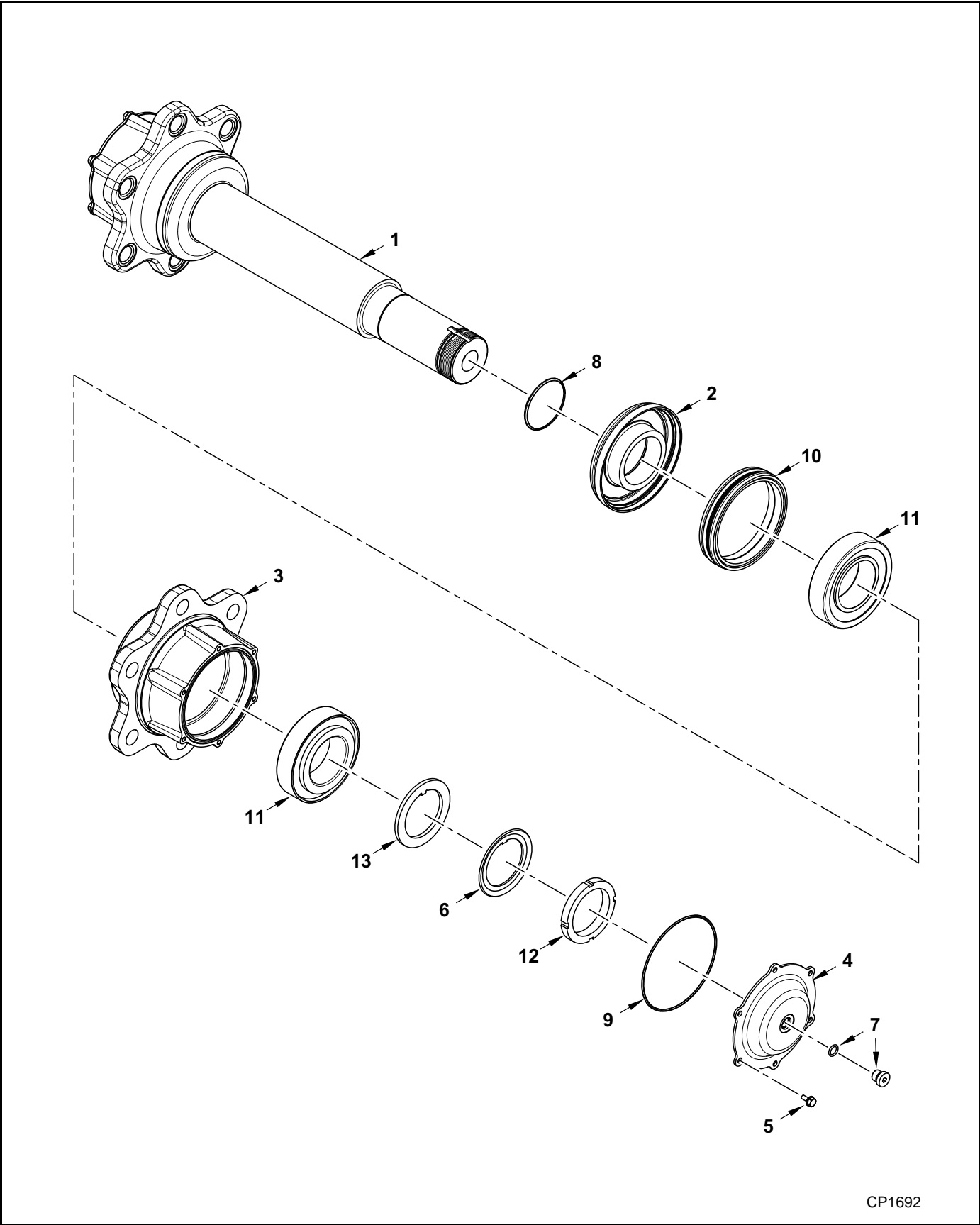
Ref.	FN	Part Number	CTS Series	Qty.	Description
1	2	1001704	30T23N	4	WHEEL, Idler, 30" Track
	3	5W-0357	30T23N	4	WHEEL, Idler, 30" Track (8 bolt hole)
1	2	1001700	36T23N	4	WHEEL, Idler, 36" Track
	3	5W-0351	36T23N	4	WHEEL, Idler, 36" Track (8 bolt hole)
2		1000173	30T23N	6	WHEEL, Roller, 30" Track
		1000198	36T23N	6	WHEEL, Roller, 36" Track
3		1000119		10	U-BOLT
4	2	2A-1316-101	30T23N	2	AXLE ASSY., Idler Wheel, 30" Track, (6 bolt hub), See page 7-12
	3	2A-1321-101	30T23N	2	AXLE ASSY., Idler Wheel, 30" Track, (8 bolt hub), See page 7-10
	2	2A-1334-101	36T23N	2	AXLE ASSY., Idler Wheel, 36" Track, (6 bolt hub), See page 7-12
	3	2A-1323-101	36T23N	2	AXLE ASSY., Idler Wheel, 36" Track, (8 bolt hub), See page 7-10
5		2A-1316-101	30T23N	3	AXLE ASSY., Roller Wheel, 30" Track, (6 bolt hub), See page 7-12
		2A-1334-101	36T23N	3	AXLE ASSY., Roller Wheel, 36" Track, (6 bolt hub), See page 7-12
6	1	B30BF03077	30T23N	1	TRACK, 30" X 252"
	1	639-3070	30T23N	1	TRACK, 30" X 252"
	1	B36BF03075	36T23N	1	TRACK, 36" X 252"
	1	639-3630	36T23N	1	TRACK, 36" X 252"
7	2	2F-0325		60	WASHER, Wedge Locking, M20
	3	2F-0325		68	WASHER, Wedge Locking, M20
8	2	2F-0296		80	NUT, Hex, M20
	3	2F-0296		88	NUT, Hex, M20
9		2F-0275		20	WASHER
10	2	2F-0298		60	BOLT, Stud, M20 x 60, CI 10.9
	3	2F-0298		68	BOLT, Stud, M20 x 60, CI 10.9

1 - Track varies depending on Model Year. Service replacement track is 639-XXXX.

2 - Used on track systems built Prior to S/N TRE0716001.

3 - Used on track systems built After S/N TRE0716001.

Axle, Idler Wheel



CP1692

**NON-SUSPENDED COMBINE SYSTEM, MODEL 30 / 36T23N  
S/N TRE0216003 AND LATER**

**Axle, Idler Wheel**

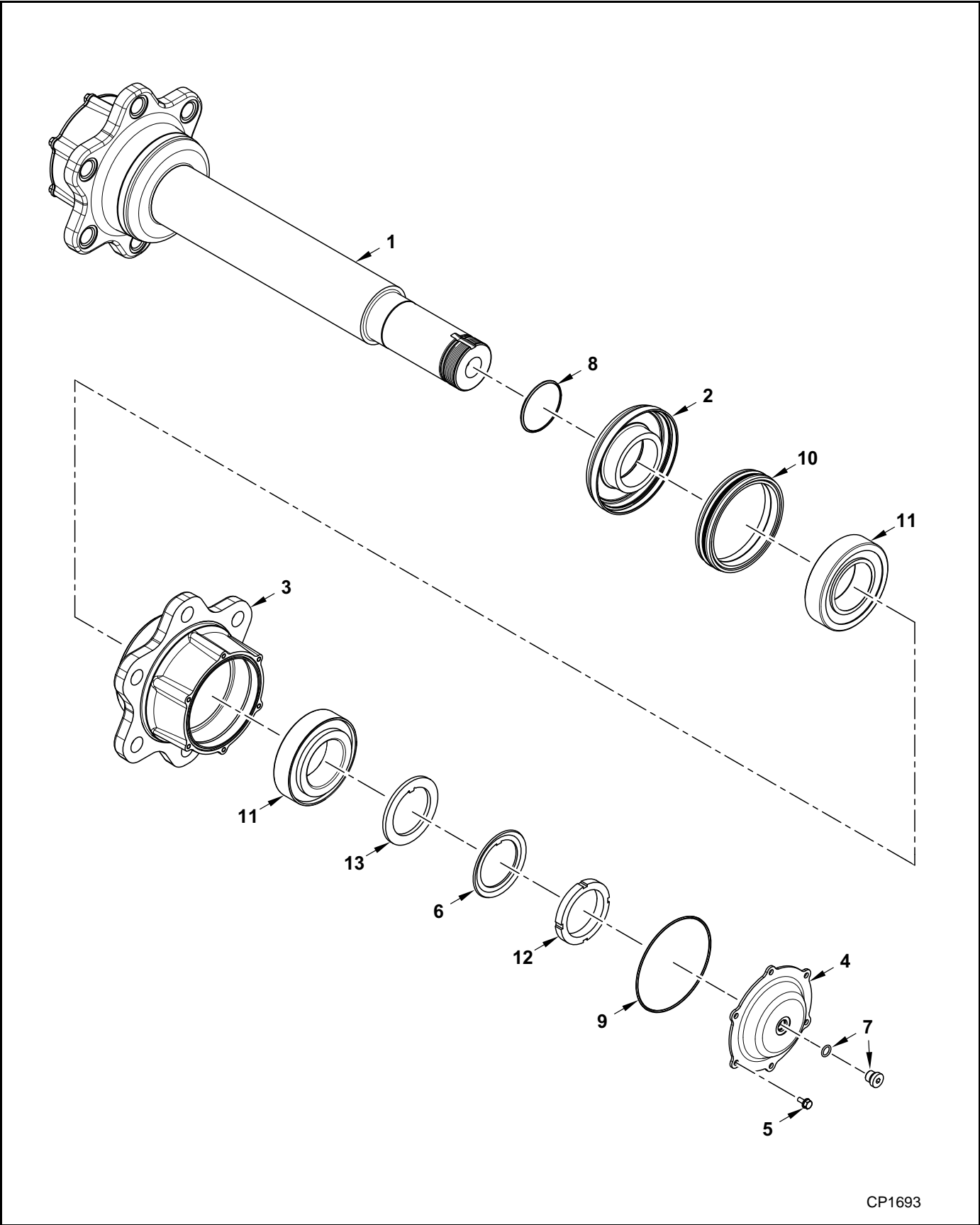
(1000060-06Aug2012)

Ref.	FN	Part Number	CTS Series	Qty.	Description
		2A-1321-101	30T23N	1	AXLE ASSY., Idler Wheel, 30" Track (8 bolt hub), Includes items 1 -13
		2A-1323-101	36T23N	1	AXLE ASSY., Idler Wheel, 36" Track (8 bolt hub), Includes items 1 -13
1		2C-2954-100		1	AXLE, 30" Track
		2C-2955-100		1	AXLE, 36" Track
2		1000122		2	RING, Collar
3		2C-2825-101		2	HUB, 8 Bolt
4		2C-2956-100		2	CAP, Hub
5		2F-0295		12	BOLT, Hex, M6
6		2F-0302		2	WASHER, Lock
7		2H-0243		2	PLUG, M14
8		2J-0122		2	O-RING, 2.50 x 65
9		2J-0123		2	O-RING, 2.62 x 126
10		2J-0129		2	SEAL, Mechanical
11		2B-0171		4	BEARING, Taper Roller
12		2F-0301		2	NUT, Lock
13		2C-2923-100		2	WASHER, Locking Tab

1 - Used on track systems built Prior to S/N TRE0716001.

2 - Used on track systems built After S/N TRE0716001.

Axle, Roller Wheel



CP1693



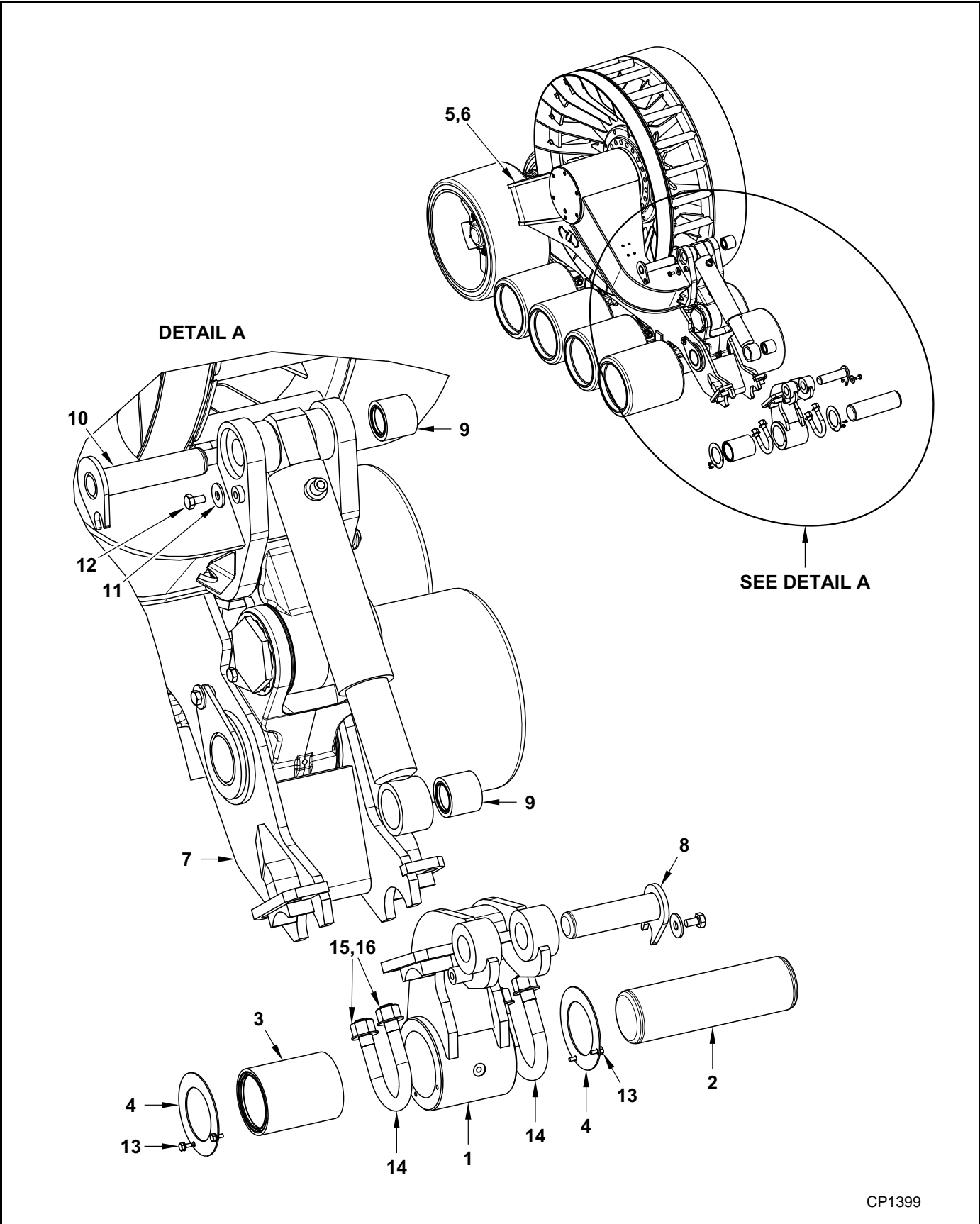
**NON-SUSPENDED COMBINE SYSTEM, MODEL 30 / 36T23N  
S/N TRE0216003 AND LATER**

**Axle, Idler & Roller Wheel**

(1000060-06Aug2012)

Ref.	FN	Part Number	CTS Series	Qty.	Description
		2A-1316-101	30T23N	1	AXLE ASSY., Roller Wheel, 30" Track (6 bolt hub), Includes items 1 -13
		2A-1334-101	36T23N	1	AXLE ASSY., Roller Wheel, 36" Track (6 bolt hub), Includes items 1 -13
1		2C-2954-100		1	AXLE, 30" Track
		2C-2955-100		1	AXLE, 36" Track
2		1000122		2	RING, Collar
3		2C-2953-100		2	HUB, 6 Bolt
4		2C-2956-100		2	CAP, Hub
5		2F-0295		12	BOLT, Hex, M6
6		2F-0302		2	WASHER, Lock
7		2H-0243		2	PLUG, M14
8		2J-0122		2	O-RING, 2.50 x 65
9		2J-0123		2	O-RING, 2.62 x 126
10		2J-0129		2	SEAL, Mechanical
11		2B-0171		4	BEARING, Taper Roller
12		2F-0301		2	NUT, Lock
13		2C-2923-100		2	WASHER, Locking Tab

Undercarriage & Track Tensioning



CP1399

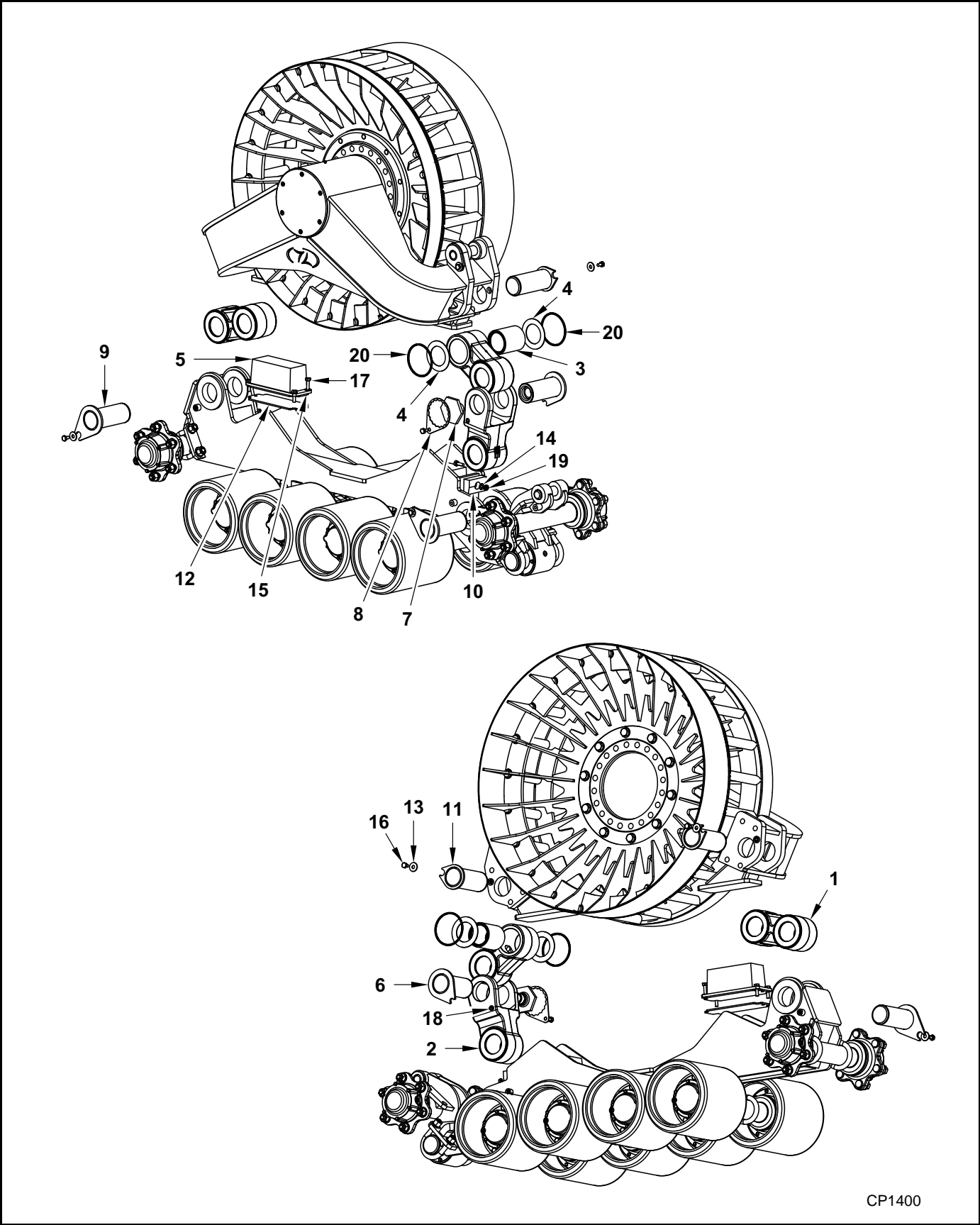
**SUSPENDED COMBINE SYSTEM, MODEL 36Q23MA  
S/N 489-2009 TO 886-2011**

**Undercarriage & Track Tensioning**

(1000024-22May2009)

Ref.	FN	Part Number	CTS Series	Qty.	Description
1		1000381		1	ARM, Tensioning
2		1000390		1	PIN, Tensioning Arm
3		1000391		1	BEARING, Sliding
4		1000392		2	SHIM
5		1000403		1	FRAME, Upper, RH, Suspended
6		1000404		1	FRAME, Upper, LH, Suspended
7		1000422		1	FRAME, Lower, Undercarriage
8		1000454		1	PIN, Mounting, Piston Tensioner
9		1000462		2	BEARING, Sliding
10		1000490		1	PIN, Mounting, Tensioner Cylinder
11		2F-0272		6	WASHER, M12
12		2F-0278		7	BOLT, Hex, M12 x 20, CI 8.8
13		2F-0295		121	BOLT, Hex, M6 x 12, CI 8.8
14		1000119		1	U-BOLT
15		2F-0296		1	NUT, Hex
16		2F-0275		1	WASHER

Undercarriage Frame



CP1400

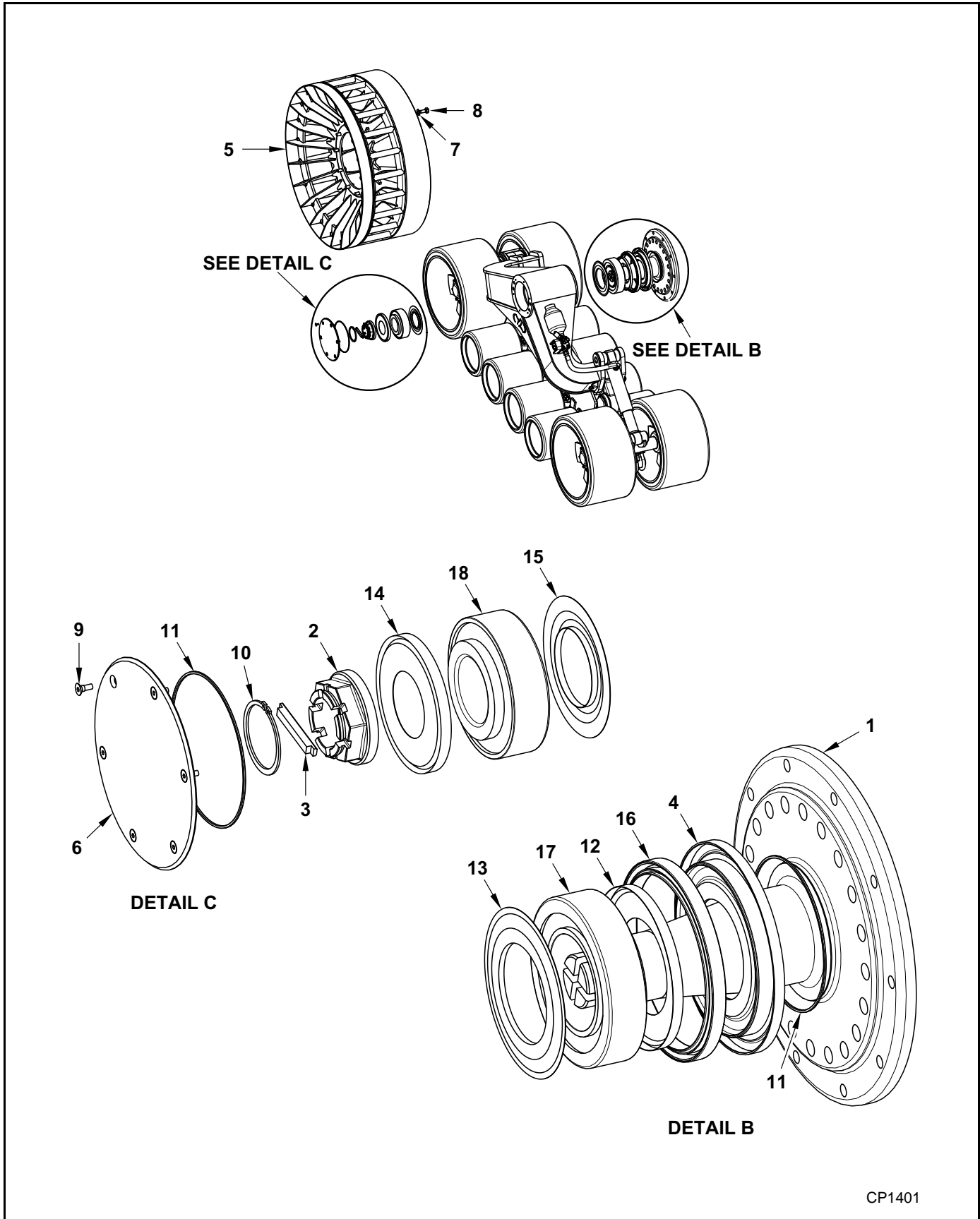
**SUSPENDED COMBINE SYSTEM, MODEL 36Q23MA  
S/N 489-2009 TO 886-2011**

**Undercarriage Frame**

(1000024-22May2009)

Ref.	FN	Part Number	CTS Series	Qty.	Description
1		1000396		2	ROD, Upper
2		1000398		1	ROD, Lower
3		1000399		6	BEARING, Sliding
4		1000400		12	SHIM
5		1000440		2	SPRING, Rubber
6		1000441		1	PIN, Rod
7		1000444		1	PIN, Shoulder
8		1000445		1	PIN, Lock, Shoulder
9		1000451		3	PIN, Rod, Undercarriage
10		1000458		1	STOP, Rod
11		1000487		2	PIN, Rod, Suspended Frame
12		1000549		2	SHIM, Rubber Spring
13		2F-0272		8	WASHER, M12
14		2F-0265		1	WASHER, M12
15		2F-0273		88	WASHER, Contact, Narrow, M12
16		2F-0278		8	BOLR, Hex, M12 x 20, CI 8.8
17		2F-0279		9	BOLT, Hex, M12 x 40, CI 8.8
18		2F-0294		1	BOLT, Hex, M12 x 20, CI 8.8
19		2F-0297		1	NUT, Hex, M12
20		2J-0127		12	O-RING, 5 x 125

# Sprocket & Undercarriage Spindle



CP1401

**SUSPENDED COMBINE SYSTEM, MODEL 36Q23MA  
S/N 489-2009 TO 886-2011**

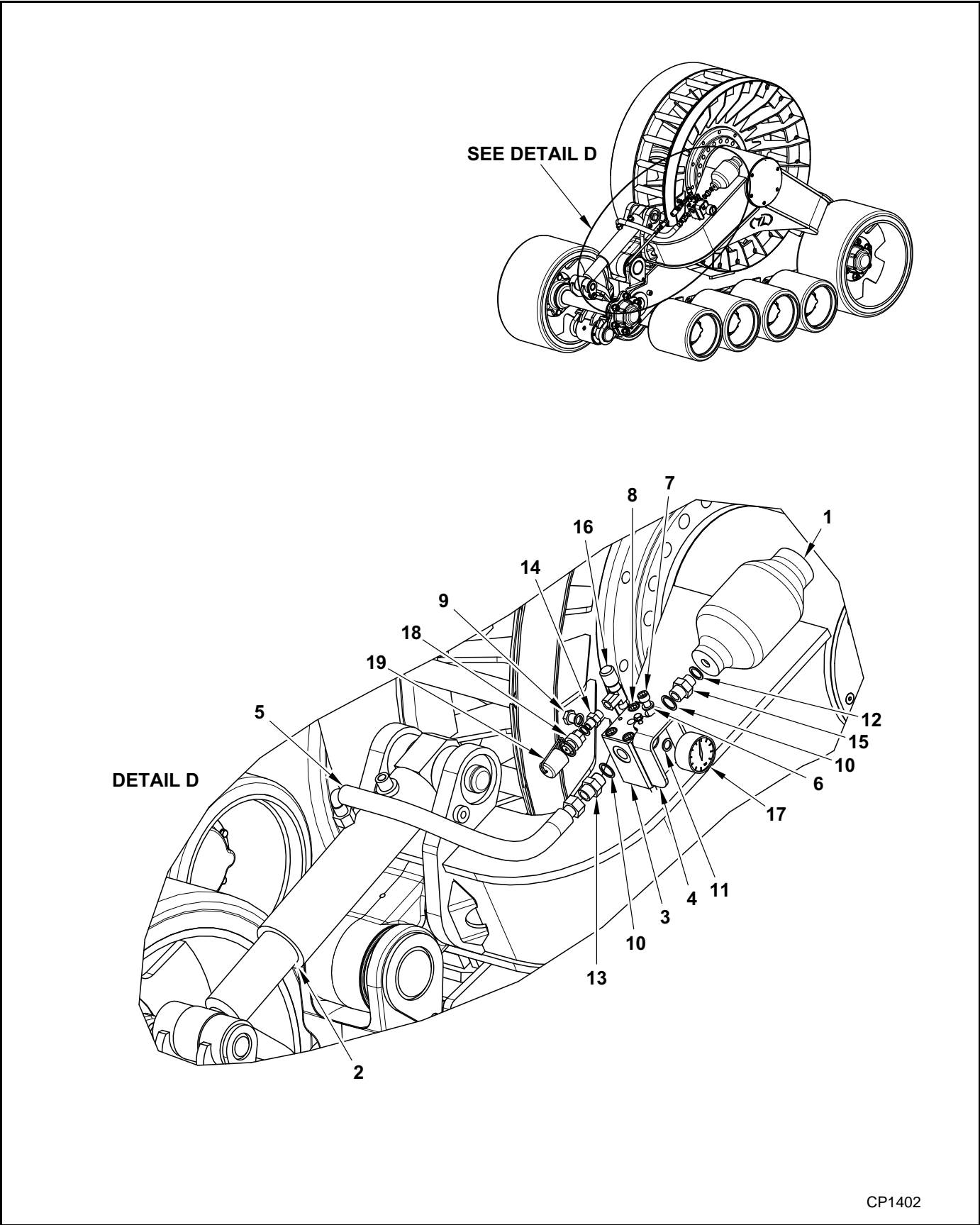
**Sprocket & Undercarriage Spindle**

(1000024-22May2009)

Ref.	FN	Part Number	CTS Series	Qty.	Description
1		1000111		1	SPINDLE, Drive Wheel
2		1000113		1	NUT, Spindle
3		1000114		1	NUT, Lock, Spindle
4		1000196		1	BEARING, Collar
5		1000231		1	SPROCKET, Drive
6		1000547		1	COVER
7		2F-0325		10	WASHER, Wedge Locking
8		2F-0347		10	BOLT, Hex, M20 x 45, CI 10.9
9		2F-0293		6	BOLT, Hex, M8 x 20, CI 8.8
10		2F-0300		1	RING, Retaining
11		2J-0124		2	O-RING, 3.53 x 203
12		2J-0135		1	SEAL, Spring Washer
13		2J-0136		1	SEAL, Spring Washer
14		2J-0137		1	SEAL, Spring Washer
15		2J-0138		1	SEAL, Spring Washer
16		2J-0140		1	SEAL, Cassette
17		2B-0127		1	BEARING, Taper Roller
18		2B-0128		1	BEARING, Taper Roller

**Note: Main Support Bearing update kit available. Please contact your Camso dealer for more information.**

Track Tensioning





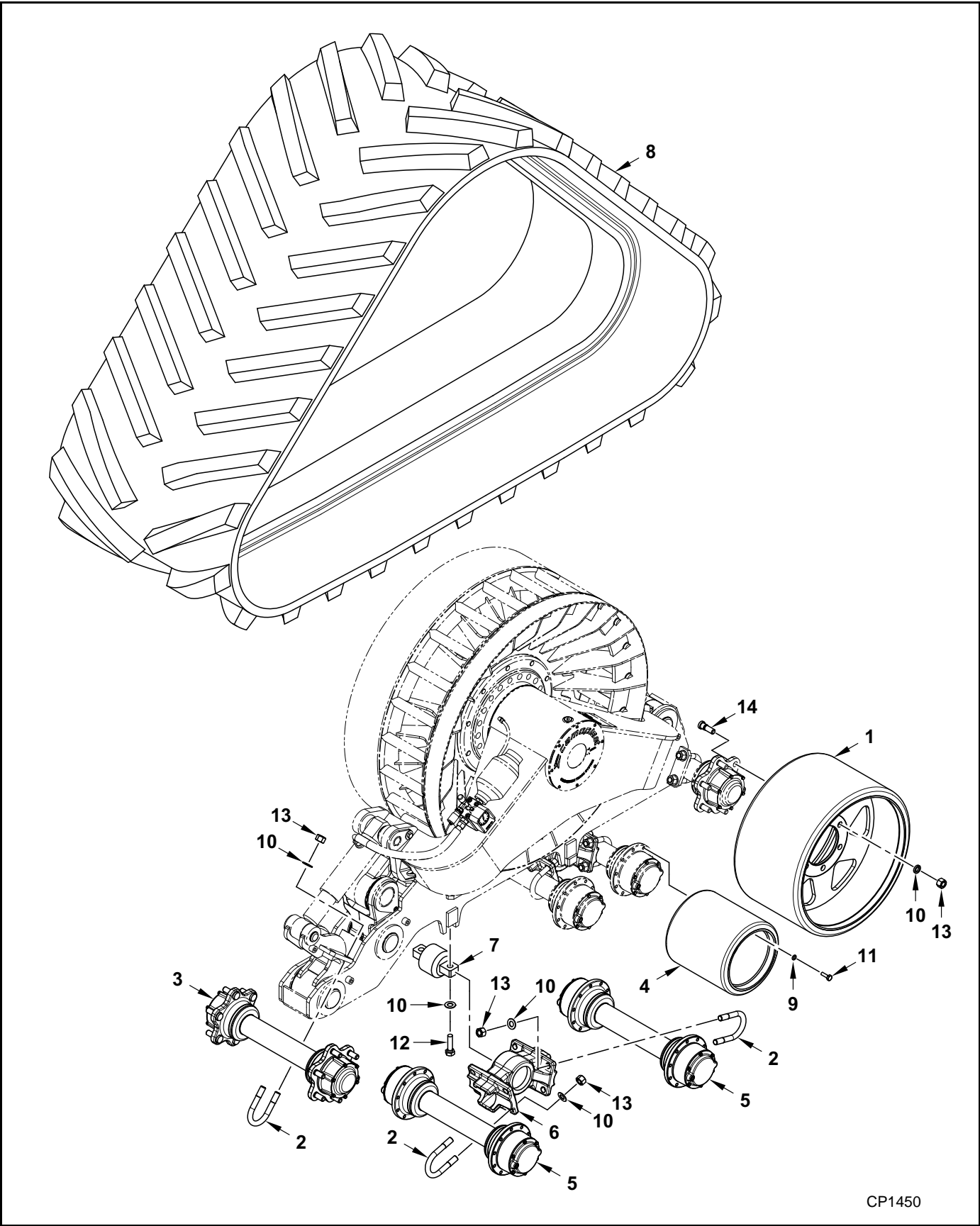
**SUSPENDED COMBINE SYSTEM, MODEL 36Q23MA  
S/N 489-2009 TO 886-2011**

**Track Tensioning**

(1000024-22May2009)

<b>Ref.</b>	<b>FN</b>	<b>Part Number</b>	<b>CTS Series</b>	<b>Qty.</b>	<b>Description</b>
1		2H-0194		1	ACCUMULATOR, Nitrogen
2		1000544		1	CYLINDER, Tensioning
3		1000572		1	MANIFOLD
4		1000573		1	COVER, Manifold
5		1000574		1	HOSE, Tensioner
6		2F-0270		4	WASHER, M10
7		2F-0291		4	BOLT, Hex, M10 X 100, CI 8.8
8		2F-0295		4	BOLT, Hex, M6 x 12, CI 8.8
9		2H-0175		1	PLUG, 1/4" BSP
10		2F-0303		2	WASHER, G1/2"
11		2F-0304		1	WASHER, G1/4"
12		2F-0306		1	WASHER, M18
13		2H-0180		1	FITTING
14		2H-0183		1	FITTING
15		2H-0184		1	FITTING
16		2H-0188		1	VALVE
17		2H-0190		1	GAUGE, Pressure
18		2H-0191		1	FASTENER, Male, 1/4" BSP
19		2H-0192		1	PLUG, Fastener, 1/4" BSP

Track, Idler & Roller Wheels



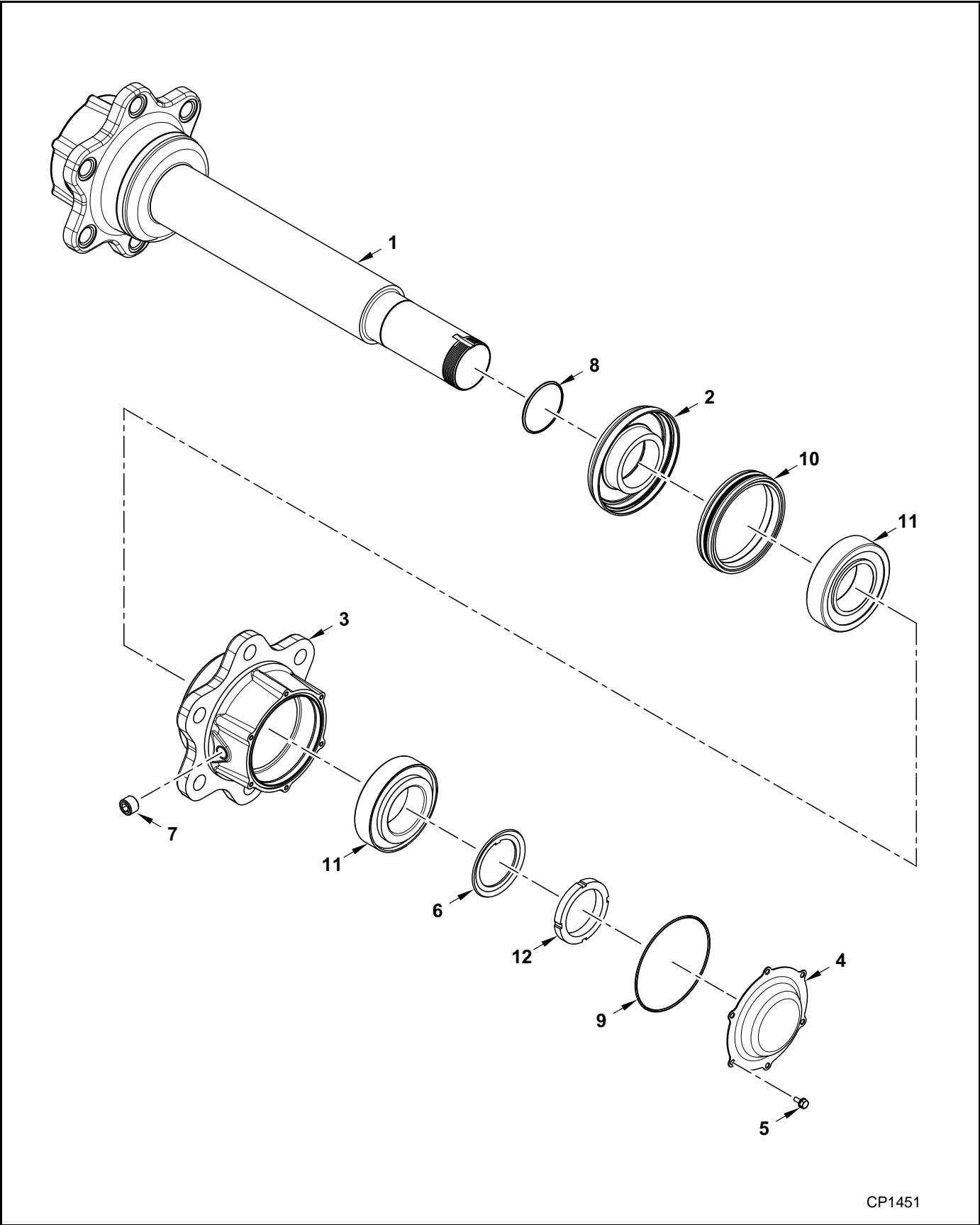
**SUSPENDED COMBINE SYSTEM, MODEL 36Q23MA  
S/N 489-2009 TO 886-2011**

**Track, Idler & Roller Wheels**

(1000024-22May2009)

<b>Ref.</b>	<b>FN</b>	<b>Part Number</b>	<b>CTS Series</b>	<b>Qty.</b>	<b>Description</b>
1		1001700		4	WHEEL, Idler, 36" Track
2		1000119		12	U-BOLT
3		1000120		5	AXLE ASSY., Idler Wheel, 36" Track, See page 8-12
4		1003802		8	WHEEL, Roller, PU, 36" Track
		1000143		8	WHEEL, Roller, Rubber, 36" Track
5		1000165		4	AXLE ASSY., Roller Wheel, 36" Track, See page 8-14
6		1000394COMPL		2	ARM, Pivoting, Includes item 7
7		NSS		2	JOINT, Rubber
8		639-3630		1	TRACK, 36" x 252"
9		2F-0273		88	WASHER, Narrow, M12
10		2F-0275		112	WASHER, Contact, M20
11		2F-0283		131	BOLT, Hex, M12 x 35, CI 8.8
12		2F-0289		4	BOLT, Hex, M20 x 80, CI 10.9
13		2F-0296		48	NUT, Hex, M20
14		2F-0298		24	BOLT, Stud, M20 x 60, CI 10.9

Axle, Idler Wheel



CP1451

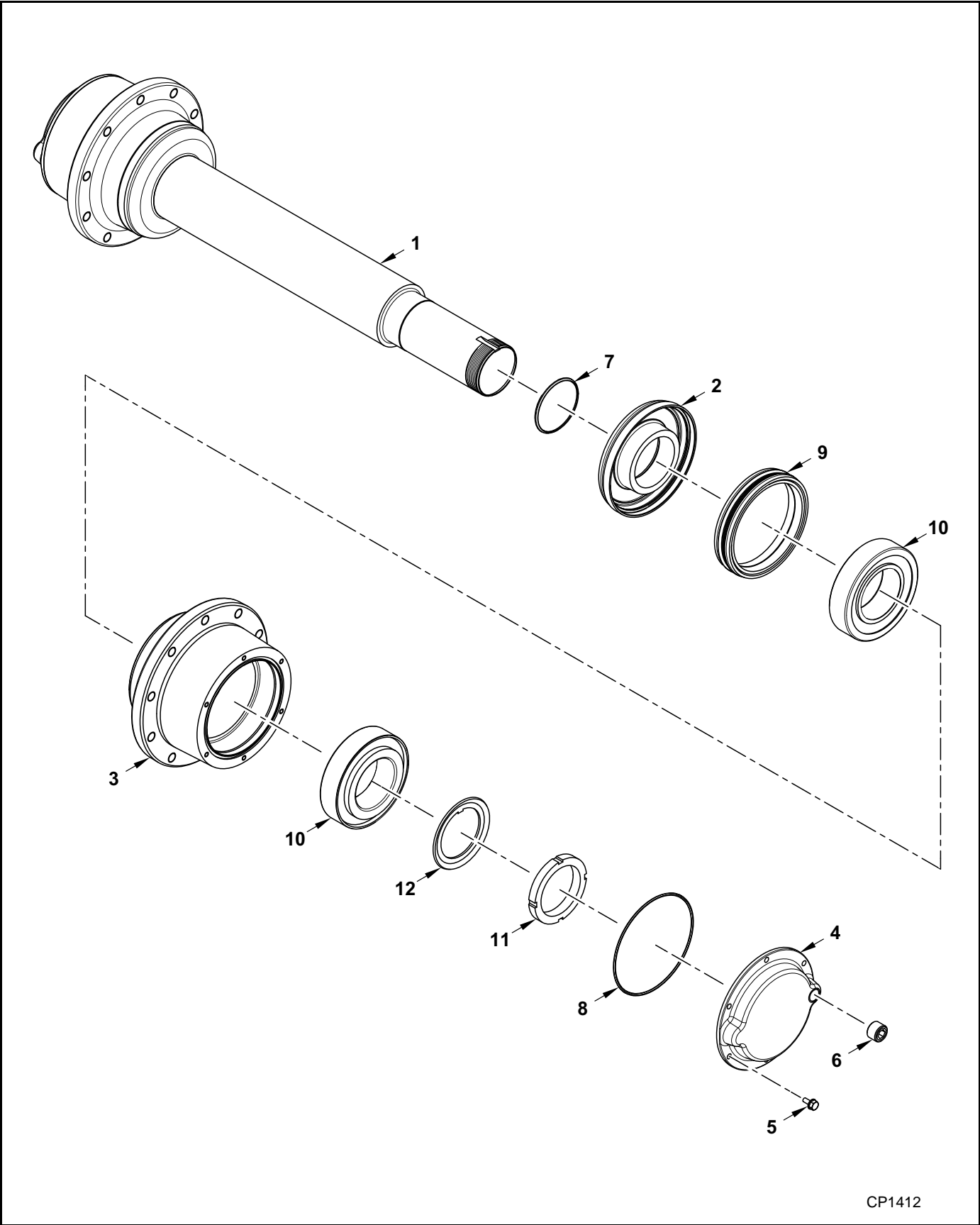
**SUSPENDED COMBINE SYSTEM, MODEL 36Q23MA  
S/N 489-2009 TO 886-2011**

**Axle, Idler Wheel**

(1000024-22May2009)

<b>Ref.</b>	<b>FN</b>	<b>Part Number</b>	<b>CTS Series</b>	<b>Qty.</b>	<b>Description</b>
		1000120		1	AXLE ASSY., Idler Wheel, 36" Track, Includes items 1 -13
1		1000121		1	AXLE, Idler
2		1000122		2	RING, Collar
3		1000128		2	HUB
4		1000129		2	CAP, Hub
5		2F-0295		12	BOLT, Hex, M6 x 12, Cl 8.8
6		2F-0302		2	WASHER, Lock
7		2H-0176		2	PLUG, 3/8" BSP
8		2J-0122		2	O-RING, 2.50 x 65
9		2J-0123		2	O-RING, 2.62 x 126
10		2J-0129		2	SEAL, Mechanical
11		2B-0126		4	BEARING, Taper Roller
12		2F-0301		2	NUT, Lock
13		2F-0298		12	BOLT, Stud, M20

Axle, Roller Wheel



CP1412

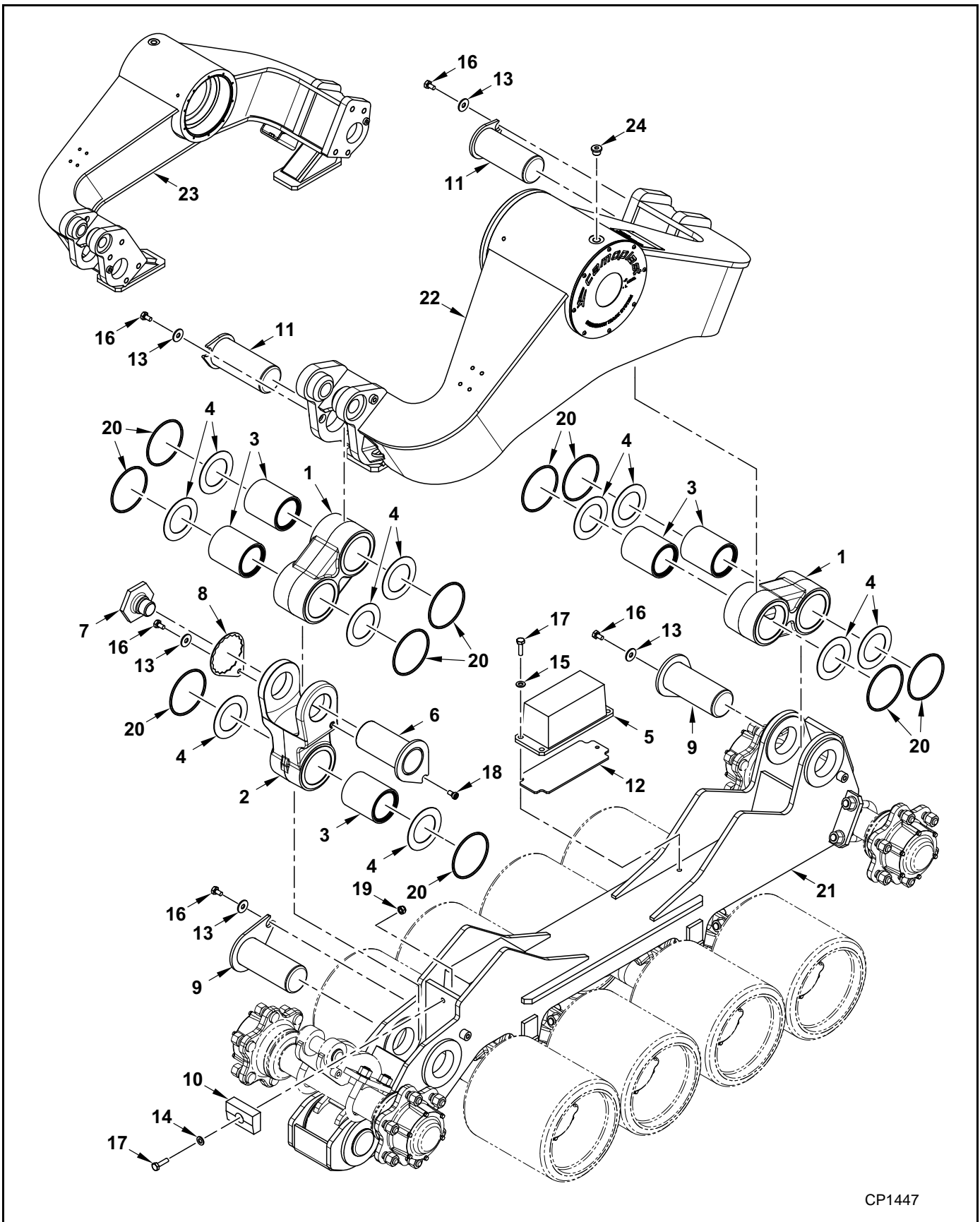
**SUSPENDED COMBINE SYSTEM, MODEL 36Q23MA  
S/N 489-2009 TO 886-2011**

**Axle, Roller Wheel**

(1000024-22May2009)

<b>Ref.</b>	<b>FN</b>	<b>Part Number</b>	<b>CTS Series</b>	<b>Qty.</b>	<b>Description</b>
		1000165		1	AXLE ASSY., Idler Wheel, 36" Track, Includes items 1 -12
1		1000121		1	AXLE, Roller Wheel
2		1000122		2	RING, Collar
3		1000168		2	HUB
4		1000169		2	CAP, Hub
5		2F-0295		12	BOLT, Hex, M6 x 12, Cl 8.8
6		2H-0176		2	PLUG, 3/8" BSP
7		2J-0122		2	O-RING, 2.50 x 65
8		2J-0123		2	O-RING, 2.62 x 126
9		2J-0129		2	SEAL, Mechanical
10		2B-0126		4	BEARING, Taper Roller
11		2F-0301		2	NUT, Lock
12		2F-0302		2	WASHER, Lock

# Undercarriage Frame



CP1447



**SUSPENDED COMBINE SYSTEM, MODEL 30 / 36Q23MA  
S/N 887-2012 THRU TRE0216002**

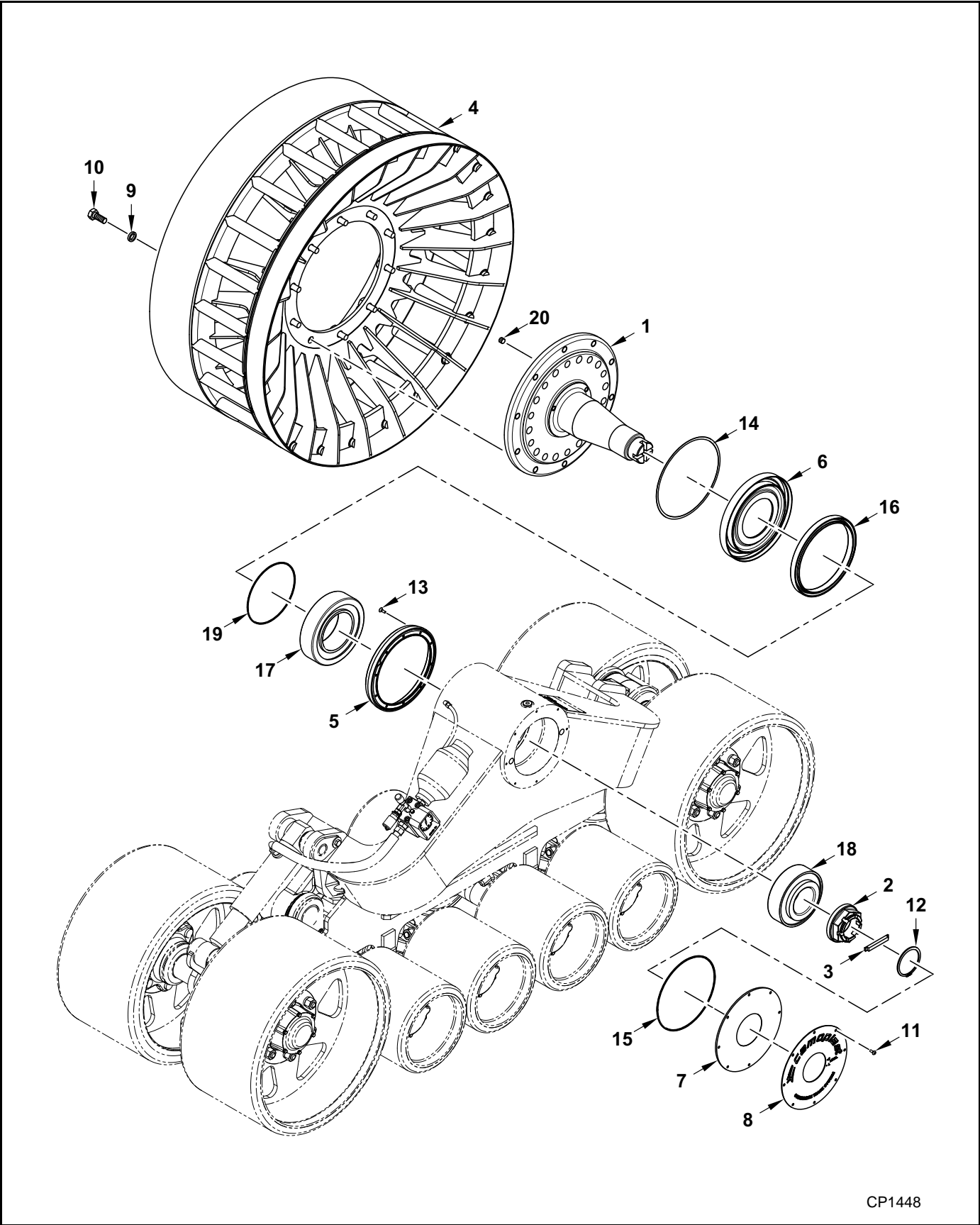
**Undercarriage Frame**

(1000066-06June2012)

Ref.	FN	Part Number	CTS Series	Qty.	Description
1		1000396		2	ROD, Upper
2		1000398		1	ROD, Lower
3		1000399		6	BEARING, Sliding
4		1000400		12	SHIM
5		1000440		2	SPRING, Rubber
6		1000441		1	PIN, Rod
7		1000444		1	PIN, Shoulder
8		1000445		1	PIN, Lock, Shoulder
9		1000451		3	PIN, Mounting, Undercarriage
10	1	1000458		1	STOP, Rod
11		1000487		2	PIN, Mounting, Suspended Frame
12		1000549		4	SHIM, Rubber Spring
13		2F-0272		7	WASHER, M12
14		2F-0265		2	WASHER, M12
15		2F-0273		88	WASHER, Contact, Narrow, M12
16		2F-0278		8	BOLT, Hex, M12 x 20, CI 8.8
17		2F-0279		9	BOLT, Hex, M12 x 40, CI 8.8
18		2F-0294		1	BOLT, Hex, M12 x 20, CI 8.8
19		2F-0208		1	NUT, Hex, M12
20		2J-0126		12	O-RING, 5 x 120
21		1002062		1	FRAME, Lower, Undercarriage
22		1002043		1	FRAME, Upper, LH, Suspended
23		1002042		1	FRAME, Upper, RH, Suspended
24		2H-0173		1	PLUG, 1/2" BSP

1 - BTW S/N 976-2013 and MY2015. This part number is no longer used on MY2015 and Later applications.

Sprocket & Undercarriage Spindle



CP1448

**SUSPENDED COMBINE SYSTEM, MODEL 30 / 36Q23MA  
S/N 887-2012 THRU TRE0216002**

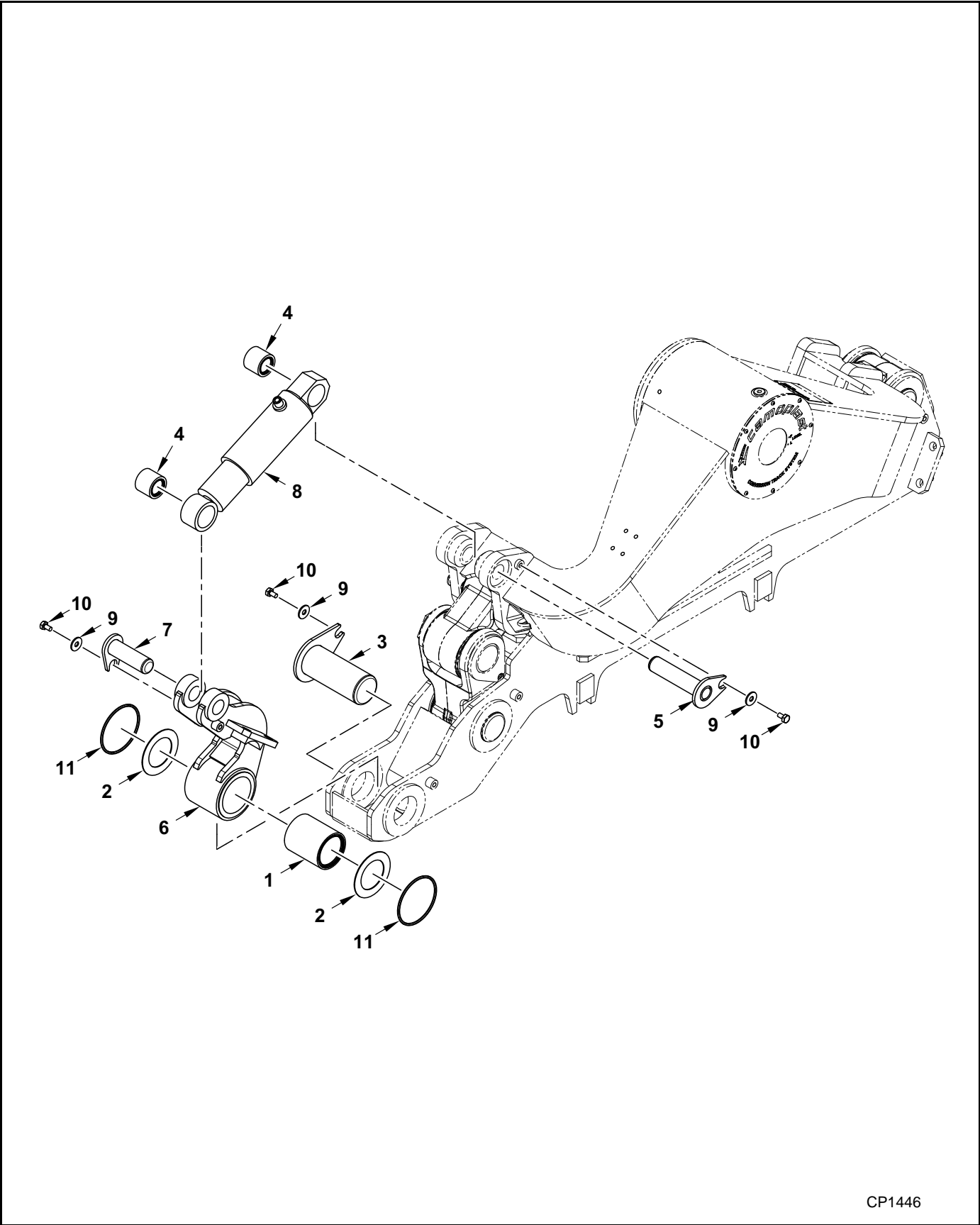
**Sprocket & Undercarriage Spindle**

(1000066-06June2012)

Ref.	FN	Part Number	CTS Series	Qty.	Description
1		1000111		1	SPINDLE, Drive Wheel
2		1000113		1	NUT, Spindle
3		1000114		1	NUT, Lock, Spindle
4		1000231		1	SPROCKET, Drive
5		1001268		1	SEAL, Site
6		1000196		1	SHOULDER, Bearing
7		1003153		1	COVER, Lexan
8		2C-2156		1	COVER, Logo
9		2F-0325		10	WASHER, Wedge Locking, M20
10		2F-0347		10	BOLT, Hex, M20 x 45, Cl 10.9
11		2F-0329		8	BOLT, Hex, M16 x 16
12		2F-0300		1	RING, Retaining
13		2F-0292		10	BOLT, Hex, M6 x 16
14		2J-0124		1	O-RING, 3.53 x 203
15		2J-0125		1	O-RING, 3.53 x 248
16		2J-0140		1	SEAL
17		2B-0127		1	BEARING, Taper Roller
18		2B-0128		1	BEARING, Taper Roller
19		1000197		1	O-RING
20	1	2H-0236		3	PLUG, Tapered

1 - MY2015 and Later

Track Tensioning - Cylinder & Linkage



CP1446

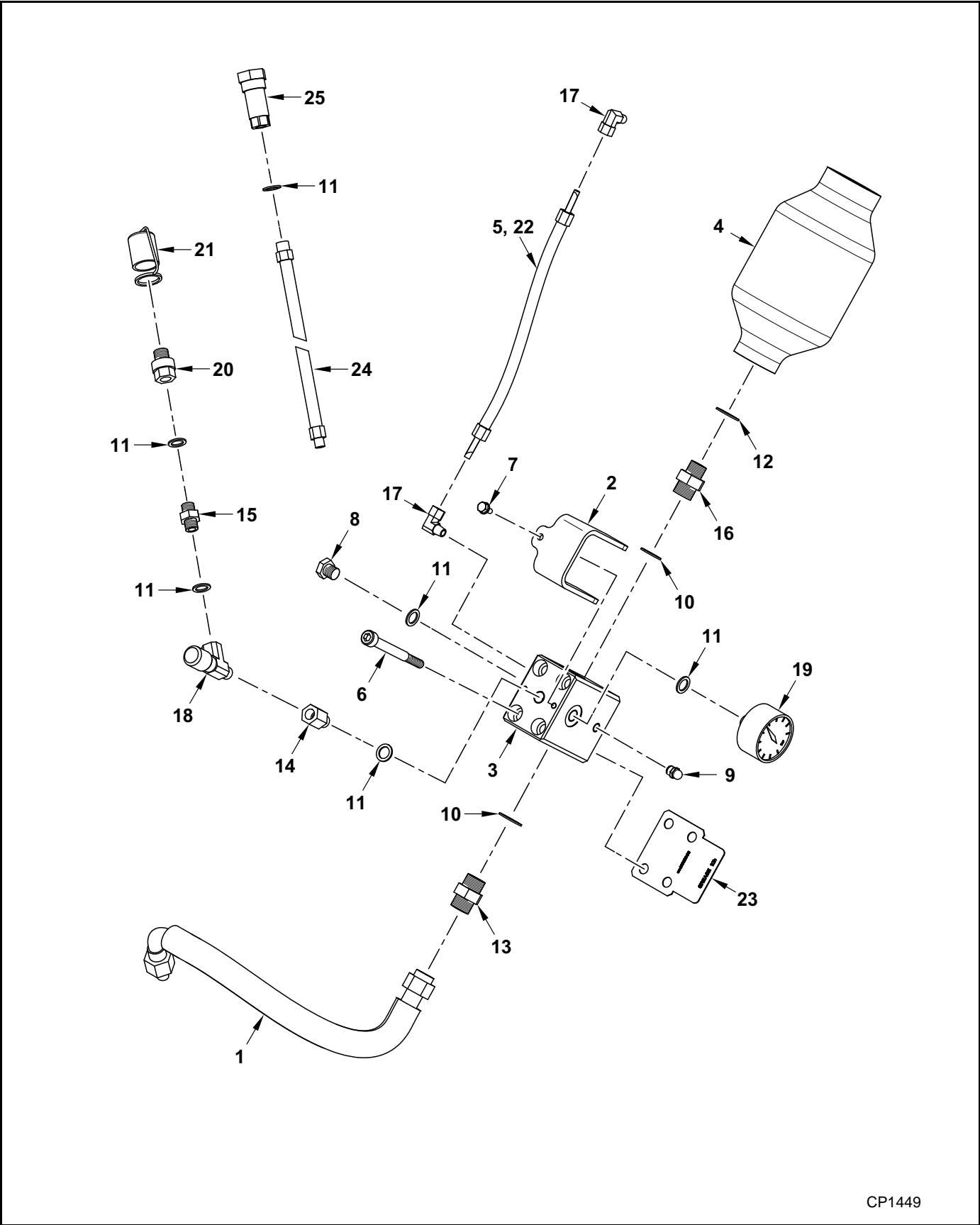
**SUSPENDED COMBINE SYSTEM, MODEL 30 / 36Q23MA  
S/N 887-2012 THRU TRE0216002**

**Track Tensioning - Cylinder & Linkage**

(1000066-06June2012)

<b>Ref.</b>	<b>FN</b>	<b>Part Number</b>	<b>CTS Series</b>	<b>Qty.</b>	<b>Description</b>
1		1000399		1	BEARING, Sliding
2		1000400		12	SHIM
3		1000451		3	PIN, Undercarriage-Rod
4		1000462		2	BEARING, Sliding
5		1000490		1	PIN, Tensioner, Cylinder
6		1001406		1	ARM, Tensioner
7		1001413		1	PIN, Piston, Tensioner
8		1002033		1	CYLINDER, Tensioning
9		2F-0272		7	WASHER, M12
10		2F-0278		8	BOLT, Hex, M12 x 20, Cl 8.8
11		2J-0126		12	O-RING, 5 x 120

Track Tensioning - Manifold & Accumulator



CP1449

**SUSPENDED COMBINE SYSTEM, MODEL 30 / 36Q23MA  
S/N 887-2012 THRU TRE0216002**

**Track Tensioning - Manifold & Accumulator**

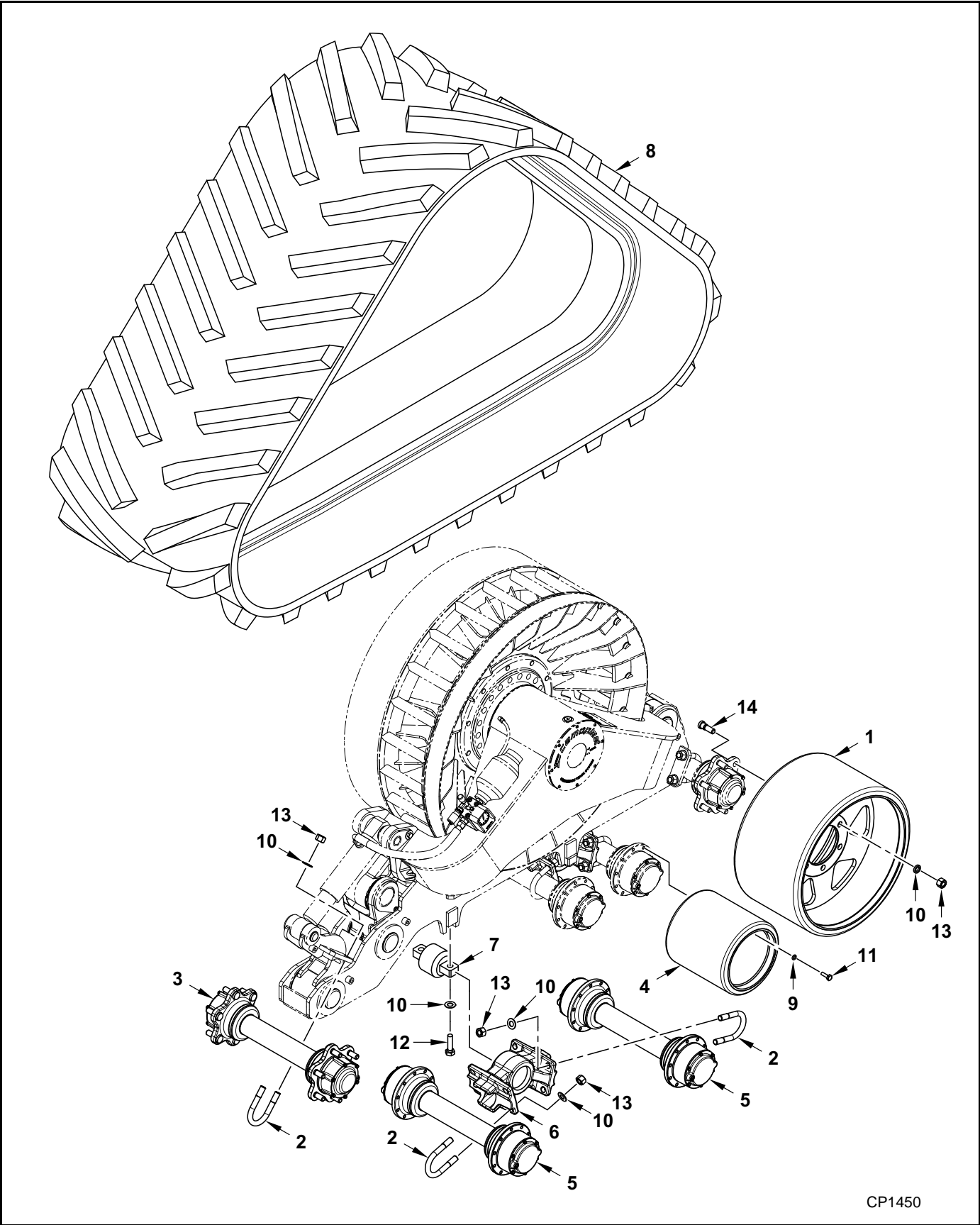
(1000066-06June2012)

Ref.	FN	Part Number	CTS Series	Qty.	Description
1		1002037		1	HOSE, Tensioner
2		1000573		1	COVER, Manifold
3		1002036		1	MANIFOLD
4		2H-0194		1	ACCUMULATOR, Nitrogen
5	2	1002038		1	HOSE, Greaser
6		2F-0291		4	BOLT, Hex, M10 x 100, CI 8.8
7		2F-0295		1	BOLT, Hex Flg., M6 X 12, CI 8.8
8		2H-0174		1	PLUG, G1/4"
9		2H-0179		1	GREASER
10		2F-0303		2	WASHER, G1/2"
11		2F-0304		2	WASHER, G1/4"
12		2F-0306		1	WASHER, M18
13		2H-0180		1	FITTING
14		2H-0182		1	FITTING
15	1	2H-0186		1	FITTING
15	2	2H-0183		1	FITTING, Adapter Straight, 1/4" BSPP
16		2H-0184		1	FITTING
17		2H-0187		2	FITTING. 90°
18		2H-0188		1	VALVE
19		2H-0190		1	GAUGE, Pressure
20		2H-0191		1	FASTENER, Male, 1/4" BSP
21		2H-0192		1	PLUG, Fastener, 1/4" BSP
22	1	1000359		1	HOSE, Greaser, 1/4" BSP
23		1003998		1	BRACKET, Mounting, Accumulator
24		1000357		1	HOSE
25		2H-0193		1	FITTING, Quick Coupler, Female, 1/4" BSPP

1 - BTW 976-2013 and MY2015

2 - MY2015 and Later

Track, Idler & Roller Wheels



CP1450



**SUSPENDED COMBINE SYSTEM, MODEL 30 / 36Q23MA  
S/N 887-2012 THRU TRE0216002**

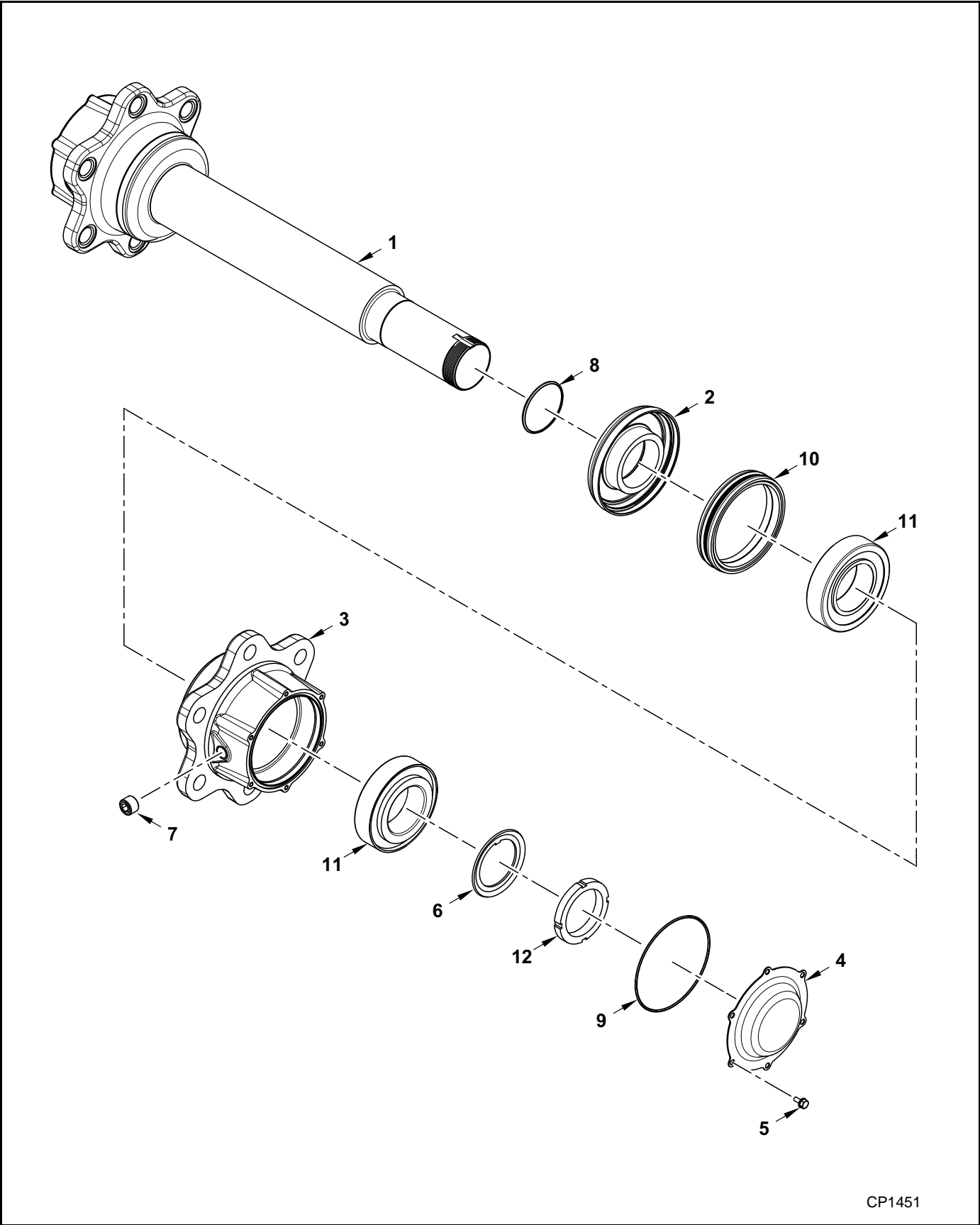
**Track, Idler & Roller Wheels**

(1000066-06June2012)

Ref.	FN	Part Number	CTS Series	Qty.	Description
1		1001704	30Q23MA	4	WHEEL, Idler, 30" Track
		1001700	36Q23MA	4	WHEEL, Idler, 36" Track
2		1000119		12	U-BOLT
3		1000130	30Q23MA	5	AXLE ASSY., Idler Wheel, 30" Track, See page 9-12
		1000120	36Q23MA	5	AXLE ASSY., Idler Wheel, 36" Track, See page 9-12
4		1000178	30Q23MA	8	WHEEL, Roller, PU, 30" Track
		1003802	36Q23MA	8	WHEEL, Roller, PU, 36" Track
		1000145	30Q23MA	8	WHEEL, Roller, Rubber, 30" Track
		1000143	36Q23MA	8	WHEEL, Roller, Rubber, 36" Track
5		1000166	30Q23MA	4	AXLE ASSY., Roller Wheel, 30" Track, See page 9-14
		1000165	36Q23MA	4	AXLE ASSY., Roller Wheel, 36" Track, See page 9-14
		1000394COMPL		1	ARM ASSY., Pivot, Includes items 6 & 7
6		NSS		2	ARM, Pivoting
7		NSS		2	JOINT, Rubber
8	1	B30BF03077	30Q23MA	1	TRACK, 30" x 252"
	1	639-3070	30Q23MA	1	TRACK, 30" x 252"
	1	B36BF03075	36Q23MA	1	TRACK, 36" x 252"
	1	639-3630	36Q23MA	1	TRACK, 36" x 252"
9		2F-0326		80	WASHER, Wedge Locking, M12
10		2F-0325		76	WASHER, Contact, M20
11		2F-0282		80	BOLT, Hex, M12 x 35, CI 10.9
12		2F-0285		4	BOLT, Hex, M20 x 70, CI 10.9
13		2F-0296		48	NUT, Hex, M20
14		2F-0298		24	BOLT, Stud, M20 x 60, CI 10.9

1 - Track varies depending on Model Year. Service replacement track is 639-XXXX.

Axle, Idler Wheel



CP1451

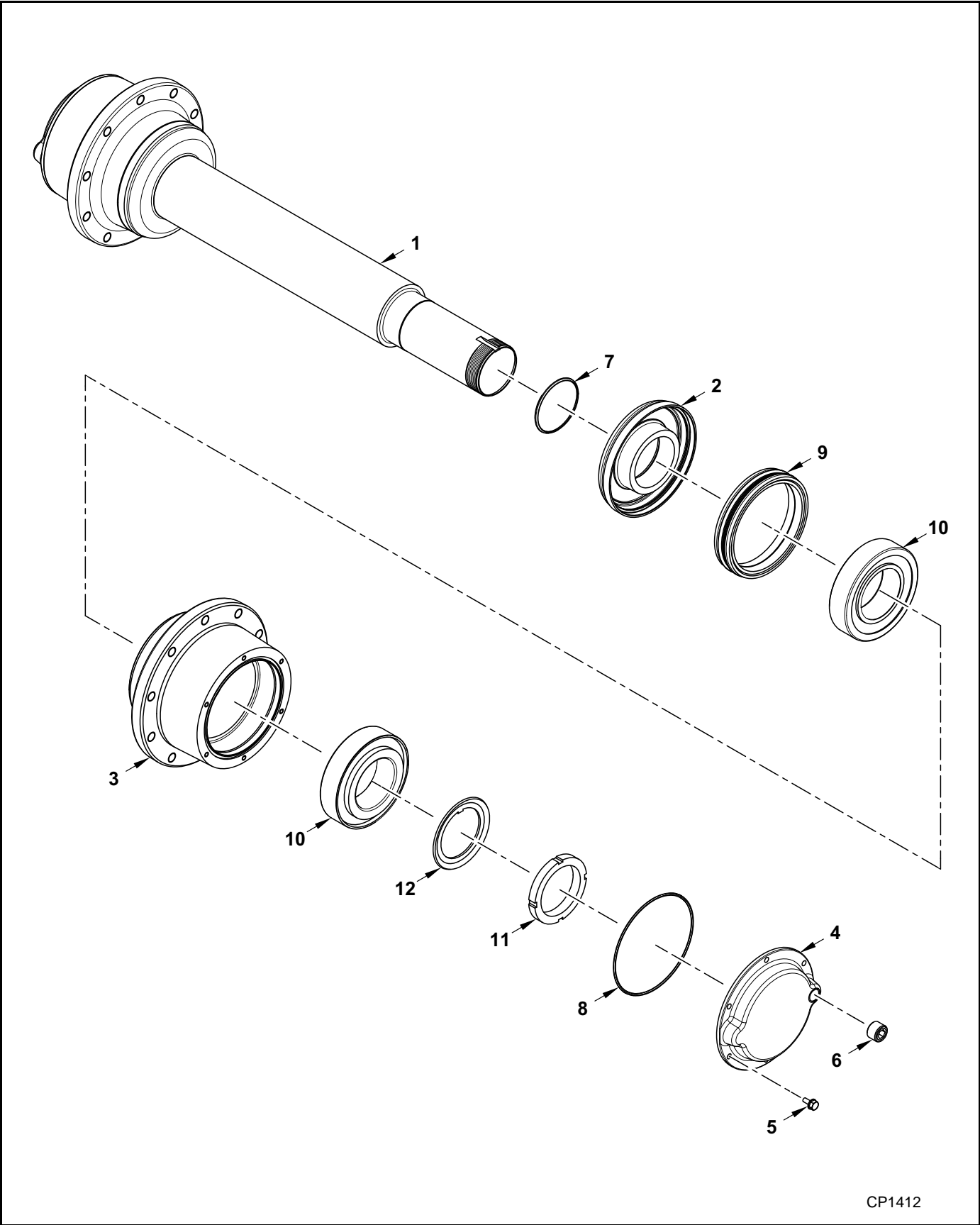
**SUSPENDED COMBINE SYSTEM, MODEL 30 / 36Q23MA  
S/N 887-2012 THRU TRE0216002**

**Axle, Idler Wheel**

(1000066-06June2012)

Ref.	FN	Part Number	CTS Series	Qty.	Description
		1000130	30Q23MA	1	AXLE ASSY., Idler Wheel, 30" Track, Includes items 1 -13
		1000120	36Q23MA	1	AXLE ASSY., Idler Wheel, 36" Track, Includes items 1 -13
1		1000131	30Q23MA	1	AXLE, Idler
		1000121	36Q23MA	1	AXLE, Idler
2		1000122		2	RING, Collar
3		1000128		2	HUB
4		1000129		2	CAP, Hub
5		2F-0295		12	BOLT, Hex, M6 x 12, CI 8.8
6		2F-0302		2	WASHER, Lock
7		2H-0176		2	PLUG, 3/8" BSP
8		2J-0122		2	O-RING, 2.50 x 65
9		2J-0123		2	O-RING, 2.62 x 126
10		2J-0129		2	SEAL, Mechanical
11		2B-0126		4	BEARING, Taper Roller
12		2F-0301		2	NUT, Lock
13		2F-0298		12	BOLT, Stud, M20

Axle, Roller Wheel



CP1412

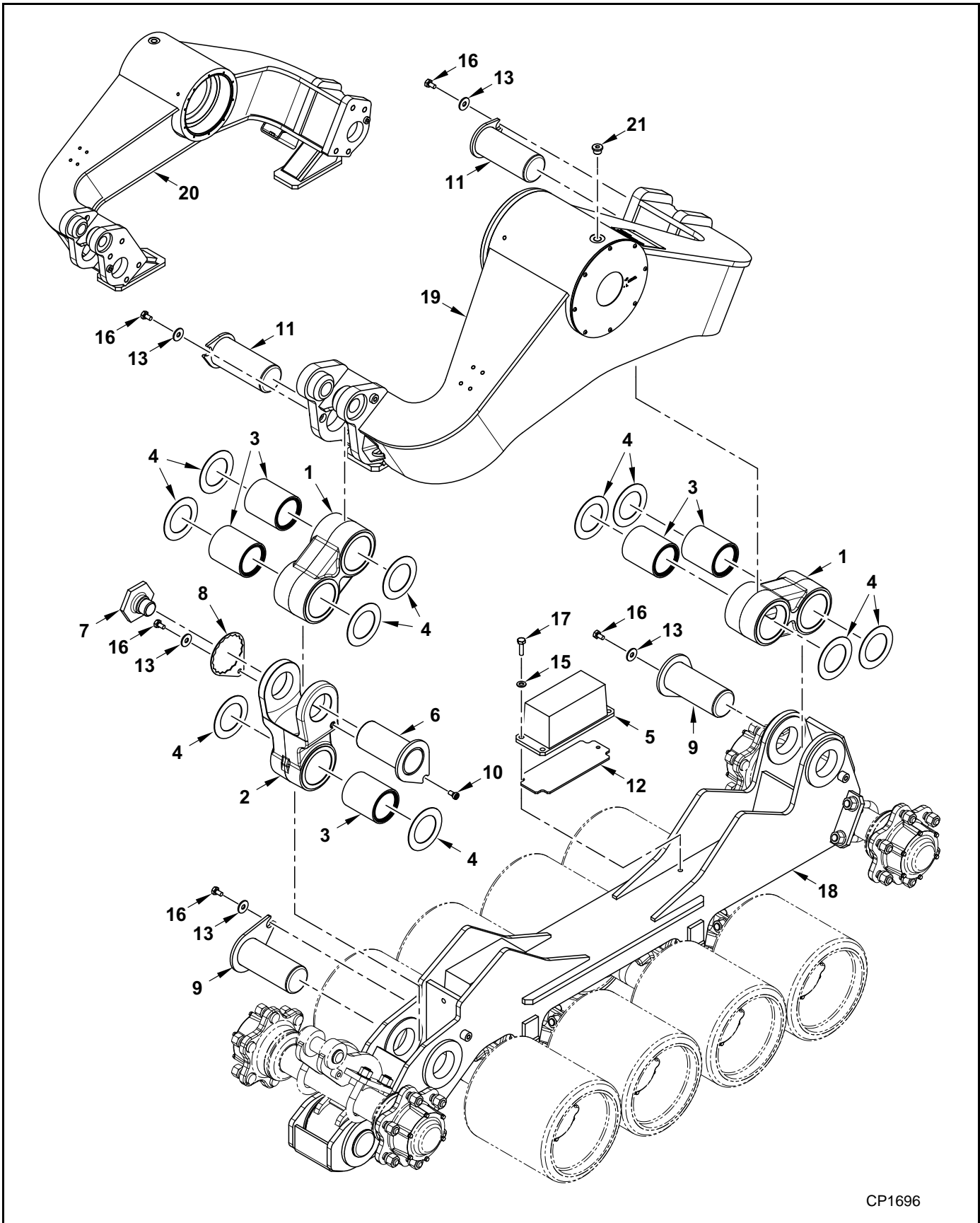
**SUSPENDED COMBINE SYSTEM, MODEL 30 / 36Q23MA  
S/N 887-2012 THRU TRE0216002**

**Axle, Roller Wheel**

(1000066-06June2012)

Ref.	FN	Part Number	CTS Series	Qty.	Description
		1000166	30Q23MA	1	AXLE ASSY., Roller Wheel, 30" Track, Includes items 1 -12
		1000165	36Q23MA	1	AXLE ASSY., Roller Wheel, 36" Track, Includes items 1 -12
1		1000131	30Q23MA	1	AXLE, Roller Wheel
		1000121	36Q23MA	1	AXLE, Roller Wheel
2		1000122		2	RING, Collar
3		1000168		2	HUB
4		1000169		2	CAP, Hub
5		2F-0295		12	BOLT, Hex, M6 x 12, CI 8.8
6		2H-0176		2	PLUG, 3/8" BSP
7		2J-0122		2	O-RING, 2.50 x 65
8		2J-0123		2	O-RING, 2.62 x 126
9		2J-0129		2	SEAL, Mechanical
10		2B-0126		4	BEARING, Taper Roller
11		2F-0301		2	NUT, Lock
12		2F-0302		2	WASHER, Lock

# Undercarriage Frame



CP1696

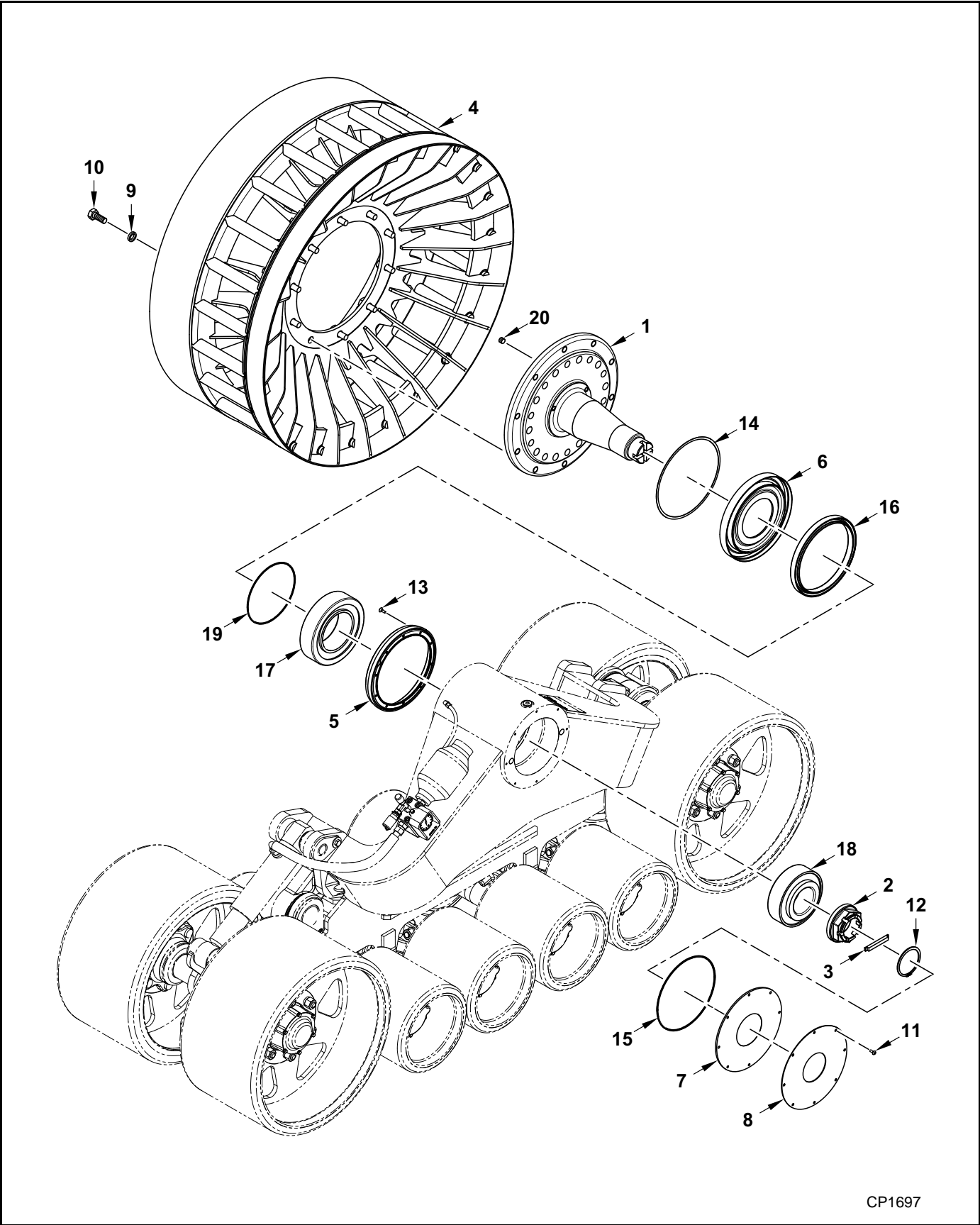
**SUSPENDED COMBINE SYSTEM, MODEL 30 / 36Q23MA  
S/N TRE0216003 AND LATER**

**Undercarriage Frame**

(1000066-06June2012)

Ref.	FN	Part Number	CTS Series	Qty.	Description
1		1000396		2	ROD, Upper
2		1000398		1	ROD, Lower
3		1000399		6	BEARING, Sliding
4		1000400		12	SHIM
5		1000440		2	SPRING, Rubber
6		1000441		1	PIN, Rod
7		1000444		1	PIN, Shoulder
8		1000445		1	PIN, Lock, Shoulder
9		1000451		3	PIN, Mounting, Undercarriage
18		2F-0294		1	BOLT, Hex, M12 x 20, Cl 8.8
11		1000487		2	PIN, Mounting, Suspended Frame
12		1000549		4	SHIM, Rubber Spring
13		2F-0272		7	WASHER, M12
14		2F-0265		2	WASHER, M12
15		2F-0273		88	WASHER, Contact, Narrow, M12
16		2F-0278		7	BOLT, Hex, M12 x 20, Cl 8.8
17		2F-0279		9	BOLT, Hex, M12 x 40, Cl 8.8
18		1002062		1	FRAME, Lower, Undercarriage
19		1002043		1	FRAME, Upper, LH, Suspended
20		1002042		1	FRAME, Upper, RH, Suspended
21		2H-0173		1	PLUG, 1/2" BSP

Sprocket & Undercarriage Spindle



CP1697



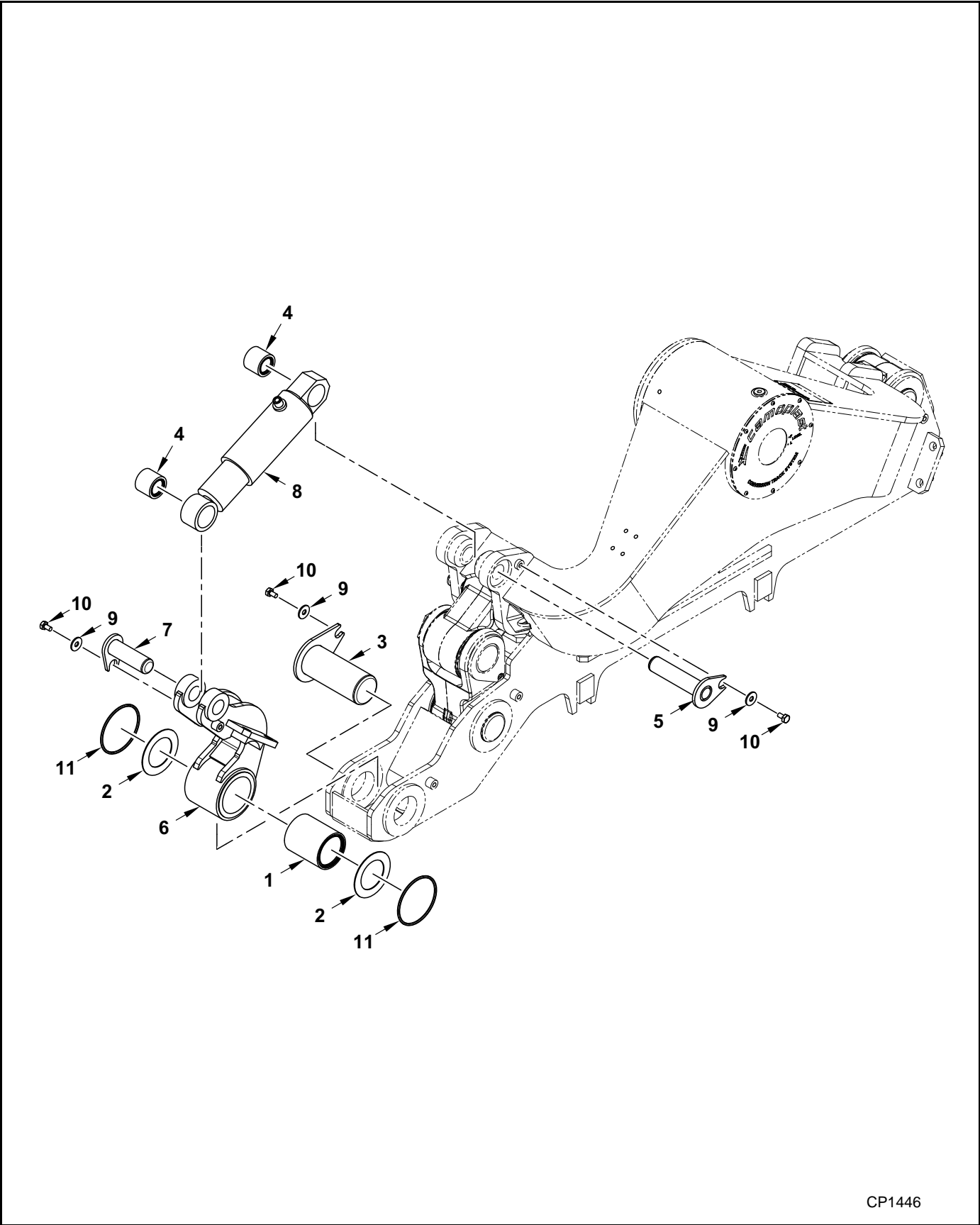
**SUSPENDED COMBINE SYSTEM, MODEL 30 / 36Q23MA  
S/N TRE0216003 AND LATER**

**Sprocket & Undercarriage Spindle**

(1000066-06June2012)

Ref.	FN	Part Number	CTS Series	Qty.	Description
1		1000111		1	SPINDLE, Drive Wheel
2		1000113		1	NUT, Spindle
3		1000114		1	NUT, Lock, Spindle
4		1000231		1	SPROCKET, Drive
5		1001268		1	SEAL, Site
6		2C-3313		1	SHOULDER, Bearing
7		2C-4351-100		1	COVER, Lexan
8		2C-4287-101		1	COVER, Logo
9		2F-0325		10	WASHER, Wedge Locking, M20
10		2F-0347		10	BOLT, Hex, M20 x 45, CI 10.9
11		2F-0537		8	BOLT, Hex, M6 x 16
12		2F-0300		1	RING, Retaining
13		2F-0292		10	BOLT, Hex, M6 x 16
14		2J-0124		1	O-RING, 3.53 x 203
15		2J-0125		1	O-RING, 3.53 x 248
16		2J-0140		1	SEAL
17		2B-0170		1	BEARING, Taper Roller
18		2B-0173		1	BEARING, Taper Roller
19		1000197		1	O-RING
20		2H-0236		3	PLUG, Tapered
		2H-0243		3	PLUG, Straight Thread O-ring

Track Tensioning - Cylinder & Linkage



CP1446

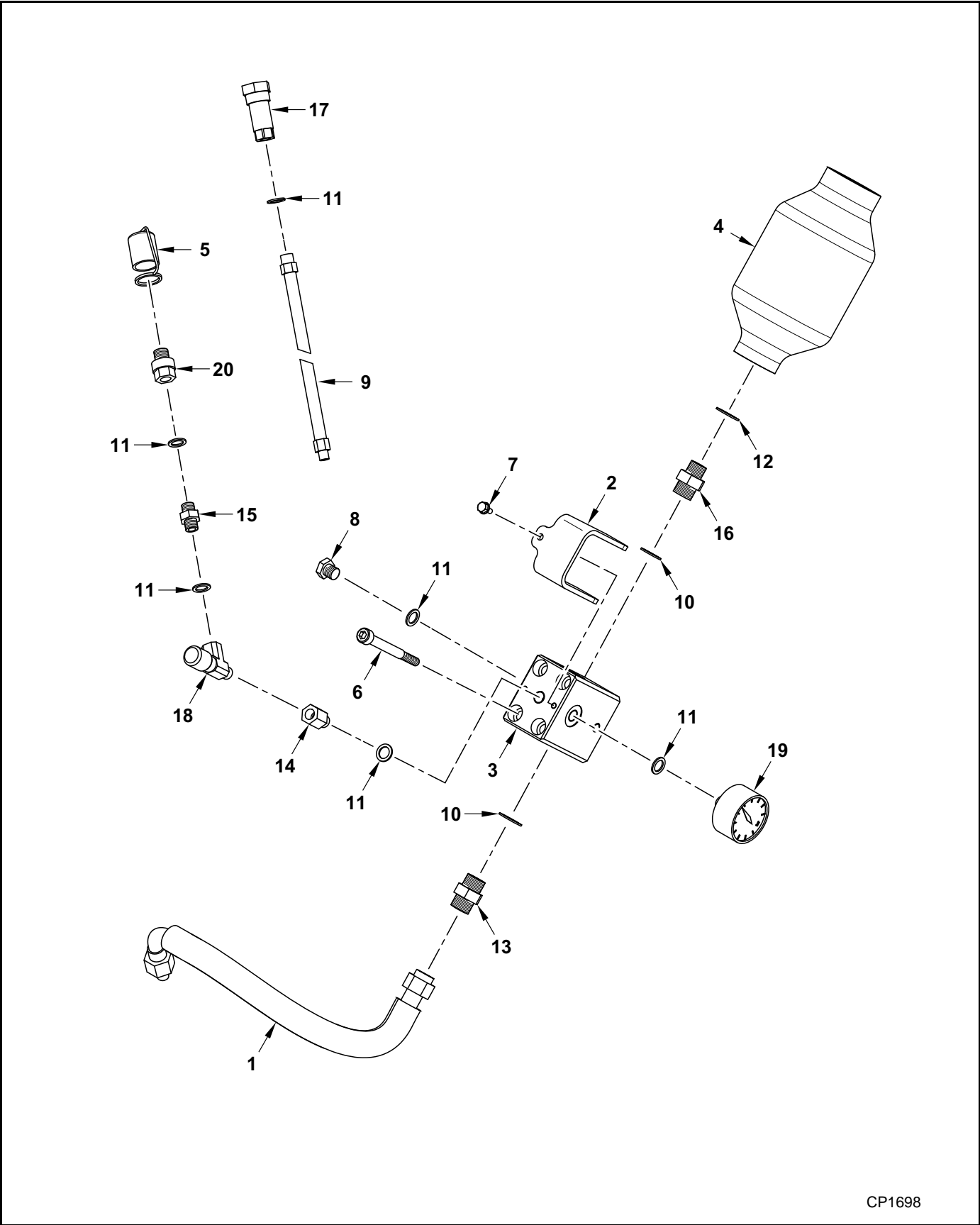
**SUSPENDED COMBINE SYSTEM, MODEL 30 / 36Q23MA  
S/N TRE0216003 AND LATER**

**Track Tensioning - Cylinder & Linkage**

(1000066-06June2012)

<b>Ref.</b>	<b>FN</b>	<b>Part Number</b>	<b>CTS Series</b>	<b>Qty.</b>	<b>Description</b>
1		1000399		1	BEARING, Sliding
2		1000400		12	SHIM
3		1000451		3	PIN, Undercarriage-Rod
4		1000462		2	BEARING, Sliding
5		1000490		1	PIN, Tensioner, Cylinder
6		2C-2810-101		1	ARM, Tensioner
7		1001413		1	PIN, Piston, Tensioner
8		1002033		1	CYLINDER, Tensioning
9		2F-0272		7	WASHER, M12
10		2F-0278		8	BOLT, Hex, M12 x 20, Cl 8.8
11		2J-0126		12	O-RING, 5 x 120

Track Tensioning - Manifold & Accumulator



CP1698

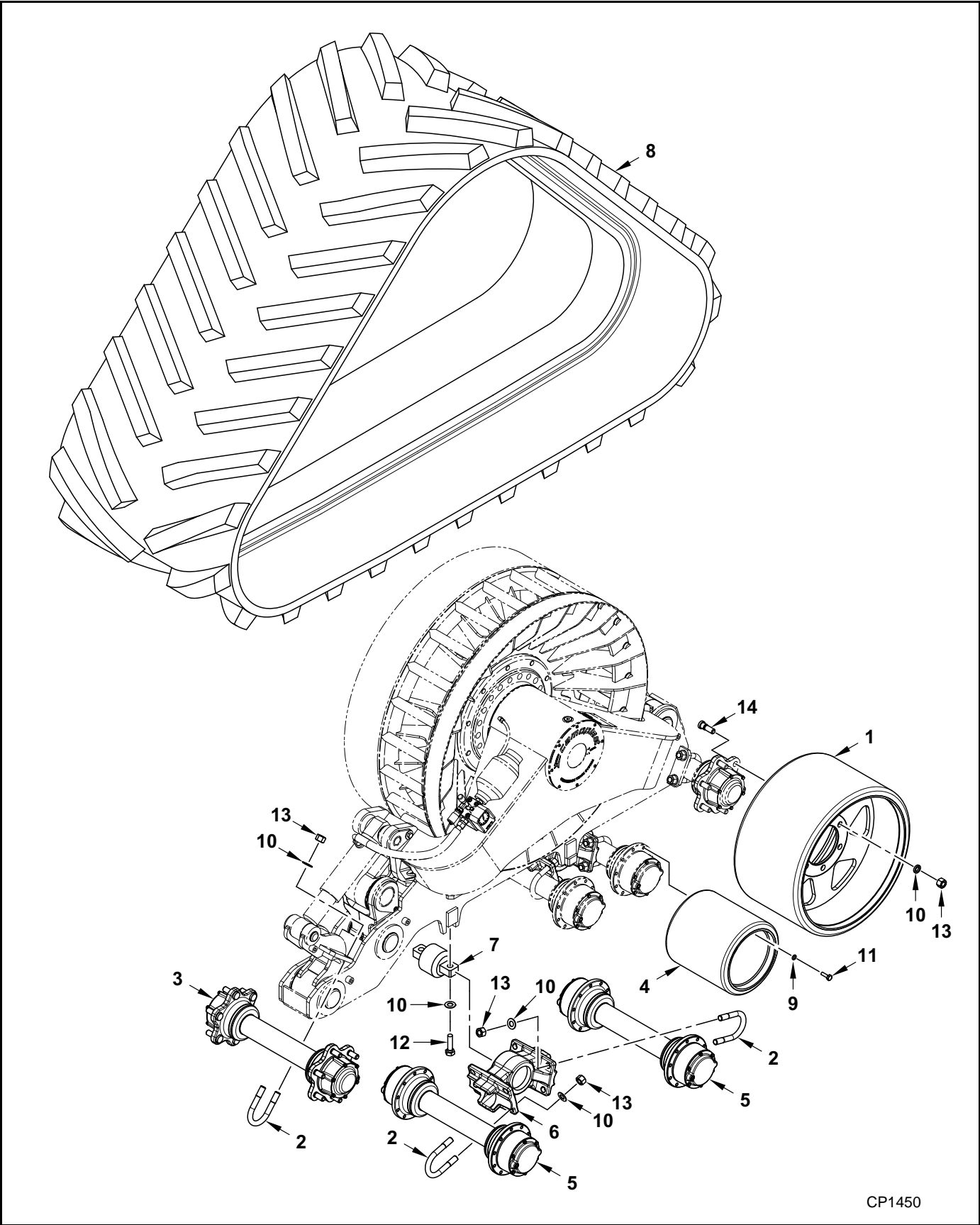
**SUSPENDED COMBINE SYSTEM, MODEL 30 / 36Q23MA  
S/N TRE0216003 AND LATER**

**Track Tensioning - Manifold & Accumulator**

(1000066-06June2012)

Ref.	FN	Part Number	CTS Series	Qty.	Description
1		1002037		1	HOSE, Tensioner
2		1000573		1	COVER, Manifold
3		1002036		1	MANIFOLD
4		2H-0194		1	ACCUMULATOR, Nitrogen
5		2H-0192		1	PLUG, Fastener, 1/4" BSP
6		2F-0291		4	BOLT, Hex, M10 x 100, CI 8.8
7		2F-0295		1	BOLT, Hex Flg., M6 X 12, CI 8.8
8		2H-0174		1	PLUG, G1/4"
9		1000357		1	HOSE
10		2F-0303		2	WASHER, G1/2"
11		2F-0304		2	WASHER, G1/4"
12		2F-0306		1	WASHER, M18
13		2H-0180		1	FITTING
14		2H-0182		1	FITTING
15		2H-0183		1	FITTING, Adapter Straight, 1/4" BSPP
16		2H-0184		1	FITTING
17		2H-0193		1	FITTING, Quick Coupler, Female, 1/4" BSPP
18		2H-0188		1	VALVE
19		2H-0190		1	GAUGE, Pressure
20		2H-0191		1	FASTENER, Male, 1/4" BSP

Track, Idler & Roller Wheels



CP1450

**SUSPENDED COMBINE SYSTEM, MODEL 30 / 36Q23MA  
S/N TRE0216003 AND LATER**

**Track, Idler & Roller Wheels**

(1000066-06June2012)

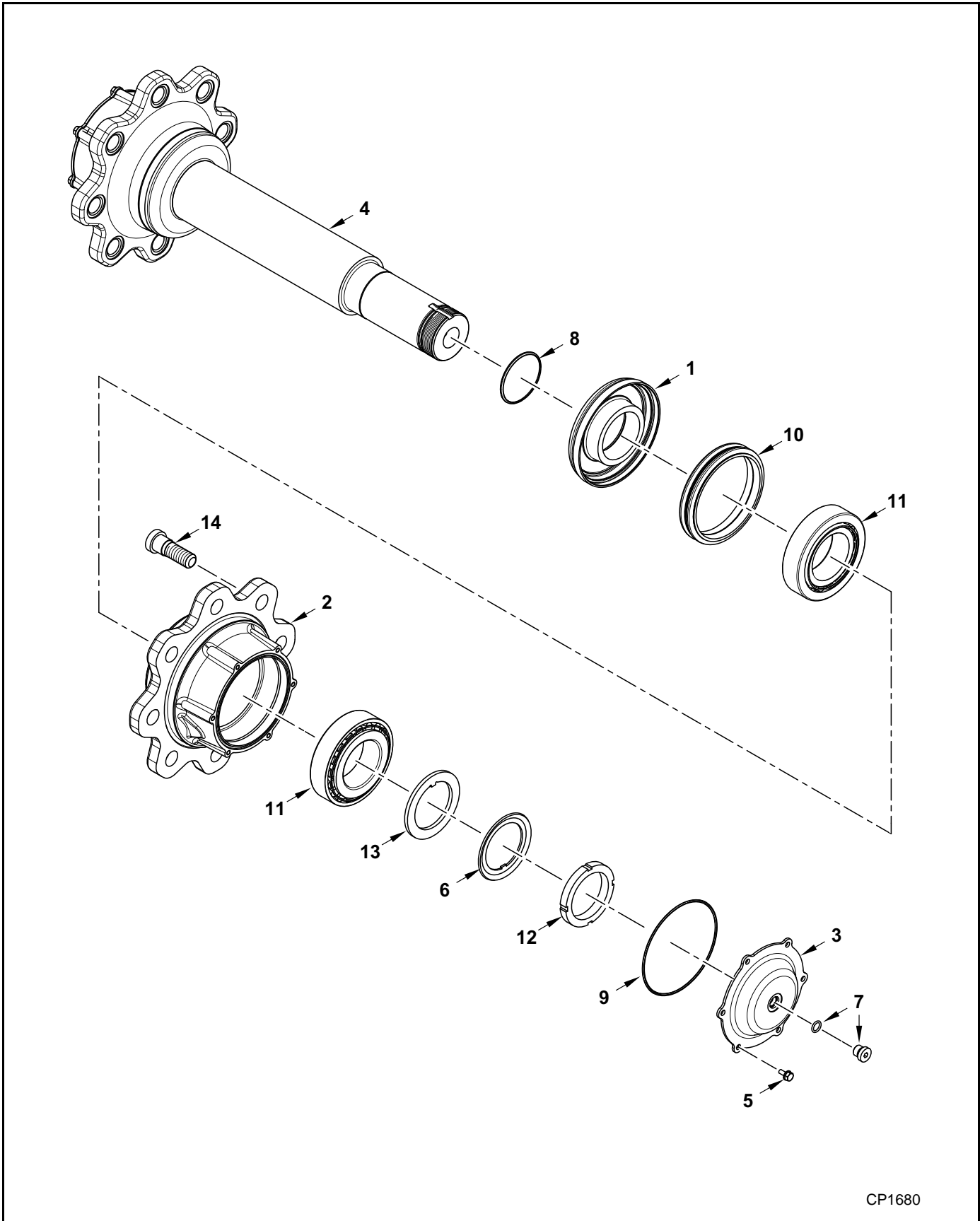
Ref.	FN	Part Number	CTS Series	Qty.	Description
1	2	1001704	30Q23MA	4	WHEEL, Idler, 30" Track
	3	5W-0357	30Q23MA	4	WHEEL, Idler, 30" Track (8 bolt hole)
1	2	1001700	36Q23MA	4	WHEEL, Idler, 36" Track
	3	5W-0351	36Q23MA	4	WHEEL, Idler, 36" Track (8 bolt hole)
2		1000119		12	U-BOLT
3	3	2A-1321-101	30Q23MA	2	AXLE ASSY., Idler Wheel, 30" Track (8 bolt hub), See page 10-12
	2	2A-1316-101	30Q23MA	2	AXLE ASSY., Idler Wheel, 30" Track (6 bolt hub), See page 10-14
	3	2A-1323-101	30Q23MA	2	AXLE ASSY., Idler Wheel, 36" Track (8 bolt hub), See page 10-12
	2	2A-1334-101	36Q23MA	2	AXLE ASSY., Idler Wheel, 36" Track (6 bolt hub), See page 10-14
4		1000178	30Q23MA	8	WHEEL, Roller, PU, 30" Track
		1003802	36Q23MA	8	WHEEL, Roller, PU, 36" Track
		1000145	30Q23MA	8	WHEEL, Roller, Rubber, 30" Track
		1000143	36Q23MA	8	WHEEL, Roller, Rubber, 36" Track
5		2A-1315-101	30Q23MA	4	AXLE ASSY., Roller Wheel, 30" Track, See page 10-16
		2A-1322-101	36Q23MA	4	AXLE ASSY., Roller Wheel, 36" Track, See page 10-16
		1000394COMPL		1	ARM ASSY., Pivot, Includes items 6 & 7
6		NSS		2	ARM, Pivoting
7		NSS		2	JOINT, Rubber
8	1	B30BF03077	30Q23MA	1	TRACK, 30" x 252"
	1	639-3070	30Q23MA	1	TRACK, 30" x 252"
	1	B36BF03075	36Q23MA	1	TRACK, 36" x 252"
	1	639-3630	36Q23MA	1	TRACK, 36" x 252"
9		2F-0326		80	WASHER, Wedge Locking, M12
10	2	2F-0325		76	WASHER, Contact, M20
	3	2F-0325		84	WASHER, Contact, M20
11		2F-0282		80	BOLT, Hex, M12 x 35, CI 10.9
12		2F-0285		4	BOLT, Hex, M20 x 70, CI 10.9
13	2	2F-0296		48	NUT, Hex, M20
	3	2F-0296		56	NUT, Hex, M20
14	2	2F-0298		24	BOLT, Stud, M20 x 60, CI 10.9
	3	2F-0298		32	BOLT, Stud, M20 x 60, CI 10.9

1 - Track varies depending on Model Year. Service replacement track is 639-XXXX.

2 - Used on track systems built Prior to S/N TRE0616013.

3 - Used on track systems built After S/N TRE0616015.

# Axle, Idler Wheel



CP1680



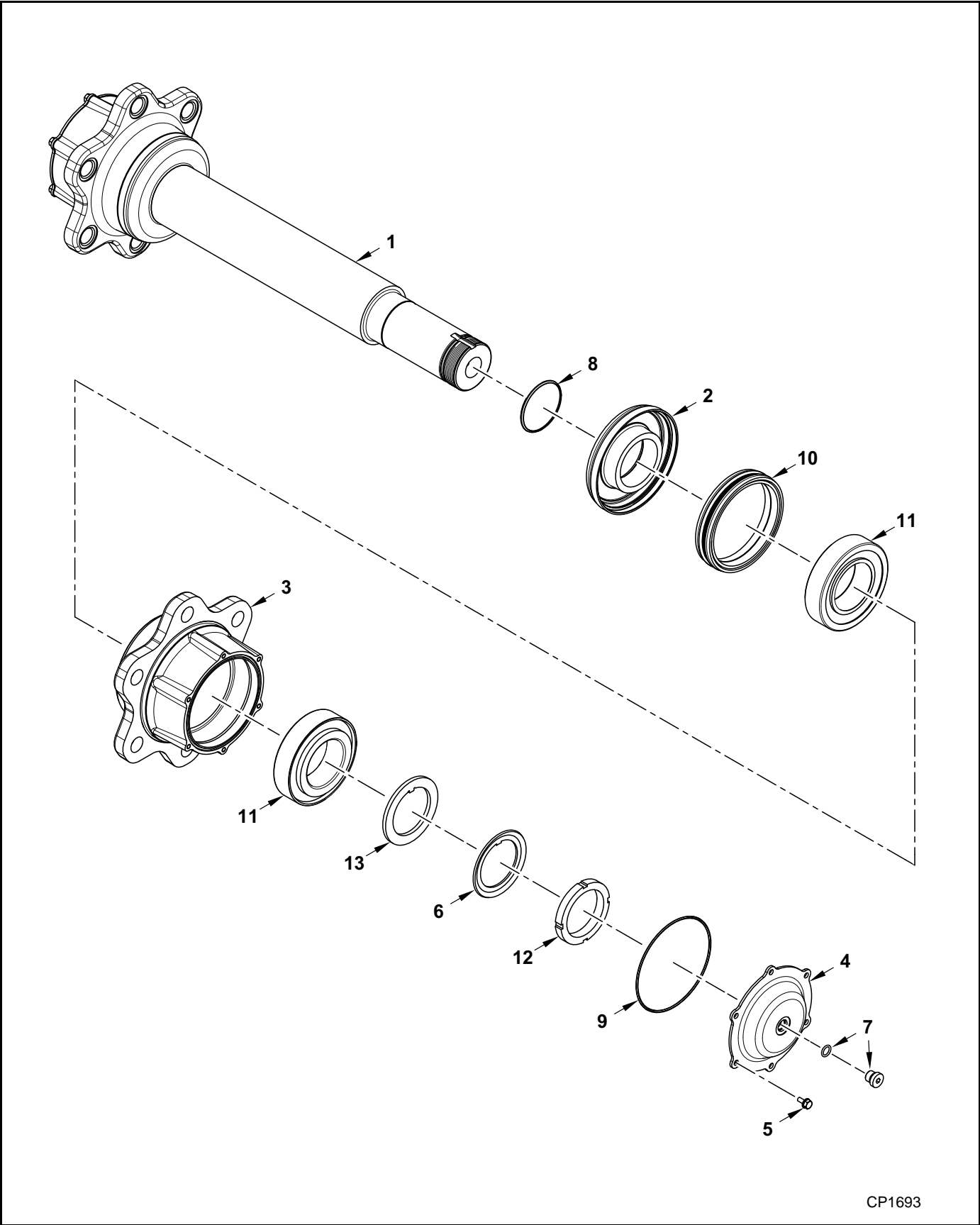
**SUSPENDED COMBINE SYSTEM, MODEL 30 / 36Q23MA  
S/N TRE0216003 AND LATER**

**Axle, Idler Wheel**

(1000066-06June2012)

Ref.	FN	Part Number	CTS Series	Qty.	Description
		2A-1321-101	30Q23MA	2	AXLE ASSY., Idler, 30" Track (8 bolt hole), Include items 1 - 13
		2A-1323-101	36Q23MA	2	AXLE ASSY., Idler, 36" Track (8 bolt hole), Include items 1 - 13
1		1000122		2	RING, Axle Collar
2		2C-2825-101		2	HUB
3		2C-2956-101		2	CAP, Hub
4		2C-2954-100	30Q23MA	1	AXLE, Idler
		2C-2955-100	36Q23MA	1	AXLE, Idler
5		2F-0295		12	BOLT, Hex, M6 x 12
6		2F-0302		2	WASHER, Lock
7		2H-0243		2	PLUG, M14
8		2J-0122		2	O-RING, 2.50 x 65
9		2J-0123		2	O-RING, 2.62 x 126
10		2J-0129		2	SEAL, Mechanical
11		2B-0171		4	BEARING, Taper Roller
12		2F-0301		2	NUT, Lock
13		2C-2923-100		2	WASHER, Locking Tab
14		2F-0298		16	BOLT, Stud, M20 x 60

Axle, Idler / Roller Wheel



CP1693

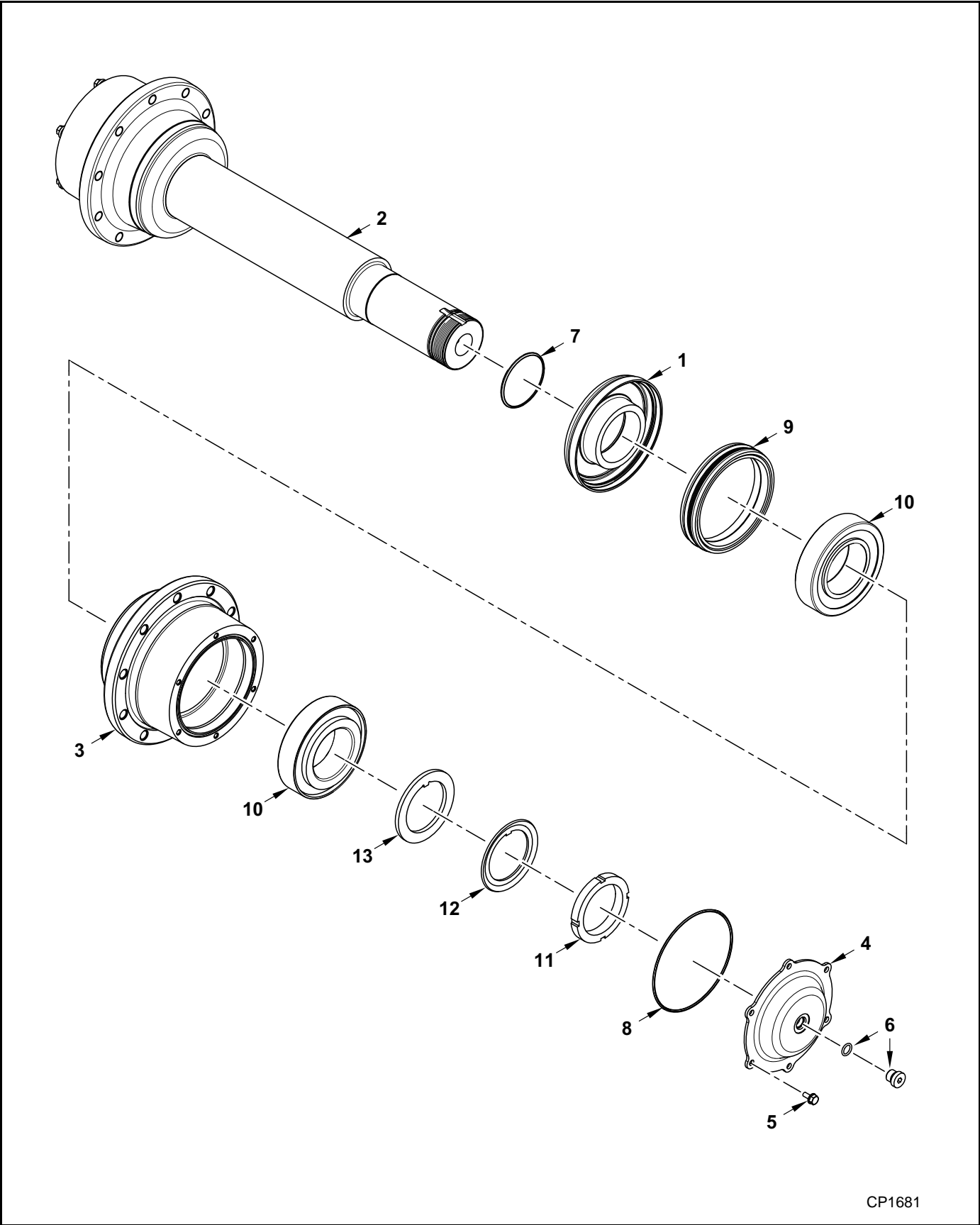
**SUSPENDED COMBINE SYSTEM, MODEL 30 / 36Q23MA  
S/N TRE0216003 AND LATER**

**Axle, Idler / Roller Wheel**

(1000060-06Aug2012)

<b>Ref.</b>	<b>FN</b>	<b>Part Number</b>	<b>CTS Series</b>	<b>Qty.</b>	<b>Description</b>
		2A-1316-101	30Q23A	1	AXLE ASSY., Roller Wheel, 30" Track (6 bolt hub), Includes items 1 -12
		2A-1334-101	36Q23A	1	AXLE ASSY., Roller Wheel, 36" Track (6 bolt hub), Includes items 1 -12
1		2C-2954-100		1	AXLE, 30" Track
		2C-2955-100		1	AXLE, 36" Track
2		1000122		2	RING, Collar
3		2C-2953-100		2	HUB, 6 Bolt
4		2C-2956-100		2	CAP, Hub
5		2F-0295		12	BOLT, Hex, M6
6		2F-0302		2	WASHER, Lock
7		2H-0243		2	PLUG, M14
8		2J-0122		2	O-RING, 2.50 x 65
9		2J-0123		2	O-RING, 2.62 x 126
10		2J-0129		2	SEAL, Mechanical
11		2B-0171		4	BEARING, Taper Roller
12		2F-0301		2	NUT, Lock
13		2C-2923-100		2	WASHER, Locking Tab

Axle, Roller Wheel



CP1681

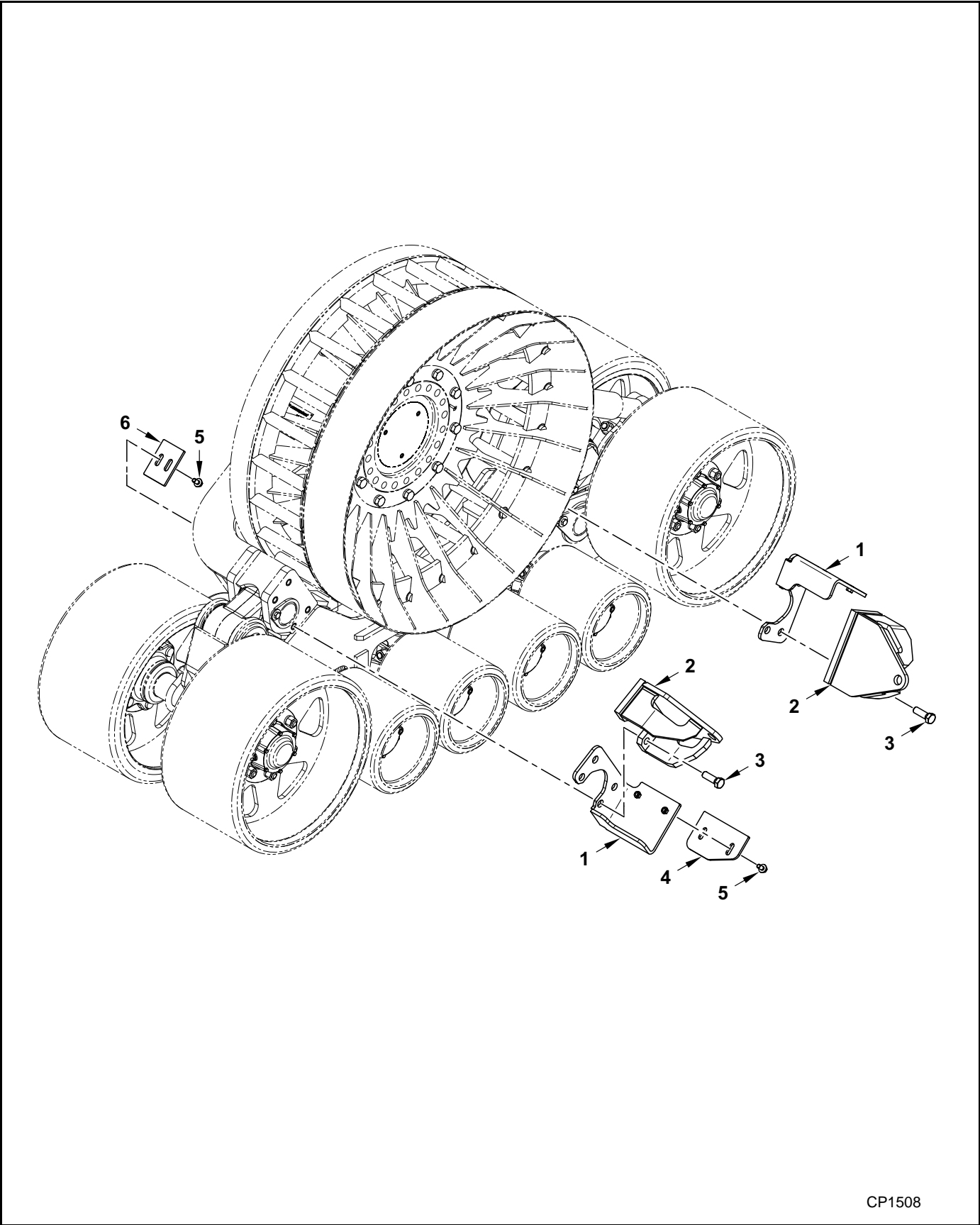
**SUSPENDED COMBINE SYSTEM, MODEL 30 / 36Q23MA  
S/N TRE0216003 AND LATER**

**Axle, Roller Wheel**

(1000066-06June2012)

<b>Ref.</b>	<b>FN</b>	<b>Part Number</b>	<b>CTS Series</b>	<b>Qty.</b>	<b>Description</b>
		2A-1315-101	30Q23MA	2	AXLE ASSY., Roller, 30" Track, Include items 1 - 13
		2A-1322-101	36Q23MA	2	AXLE ASSY., Roller, 36" Track, Include items 1 - 13
1		1000122		2	RING, Collar
2		2C-2654-100	30Q23MA	1	AXLE, Roller
		2A-2955-100	36Q23MA	1	AXLE, Roller
3		2C-2952-101		2	HUB
4		2C-2956-101		2	CAP, Hub
5		2F-0295		12	BOLT, Hex, M6 x 12, CI 8.8
6		2H-0243		2	PLUG, M14
7		2J-0122		2	O-RING, 2.50 x 65
8		2J-0123		2	O-RING, 2.62 x 126
9		2J-0129		2	SEAL, Mechanical
10		2B-0171		4	BEARING, Taper Roller
11		2F-0301		2	NUT, Lock
12		2F-0302		2	WASHER, Lock
13		2C-2923-100		2	WASHER, Locking Tab

Kit, Scraper



CP1508

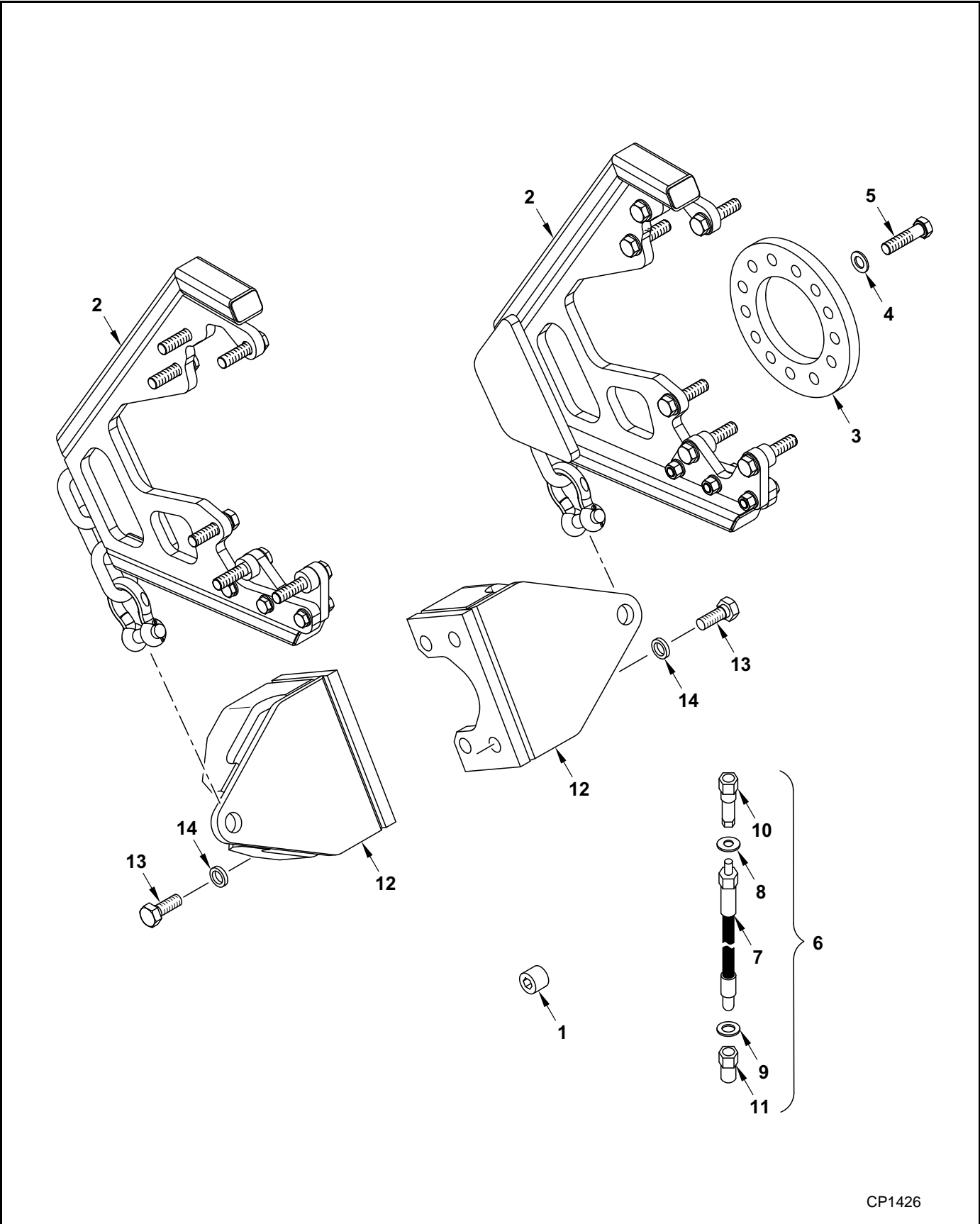
# SUSPENDED COMBINE SYSTEM, MODEL 30 / 36Q23MA

## Kit, Scraper

Ref.	FN	Part Number	CTS Series	Qty.	Description
		2K-0107	30Q23MA	1	KIT, Scraper, Mud, Includes items 1 - 6
			36Q23MA	1	KIT, Scraper, Mud, Includes items 1 - 6
1	1	2S-1218		2	BRACKET, Mounting, Scraper
2	1	1000581		2	BRACKET, Mounting, Scraper
3	1	2F-0464		8	BOLT, Hex
4	1	2C-2766		1	PLATE, Scraper, Inboard
5		761602565		4	BOLT, Hex
6		2C-2760		1	PLATE, Scraper, Outboard

1 - Items 1 - 4, The scraper mounting brackets can be installed in either mounting location. Only 1 scraper installation is required.

Kit, Combine Fitment



CP1426



# FITMENT KIT - STANDARD, NON-SUSPENDED & SUSPENDED SYSTEMS (CNH)

## Kit, Combine Fitment

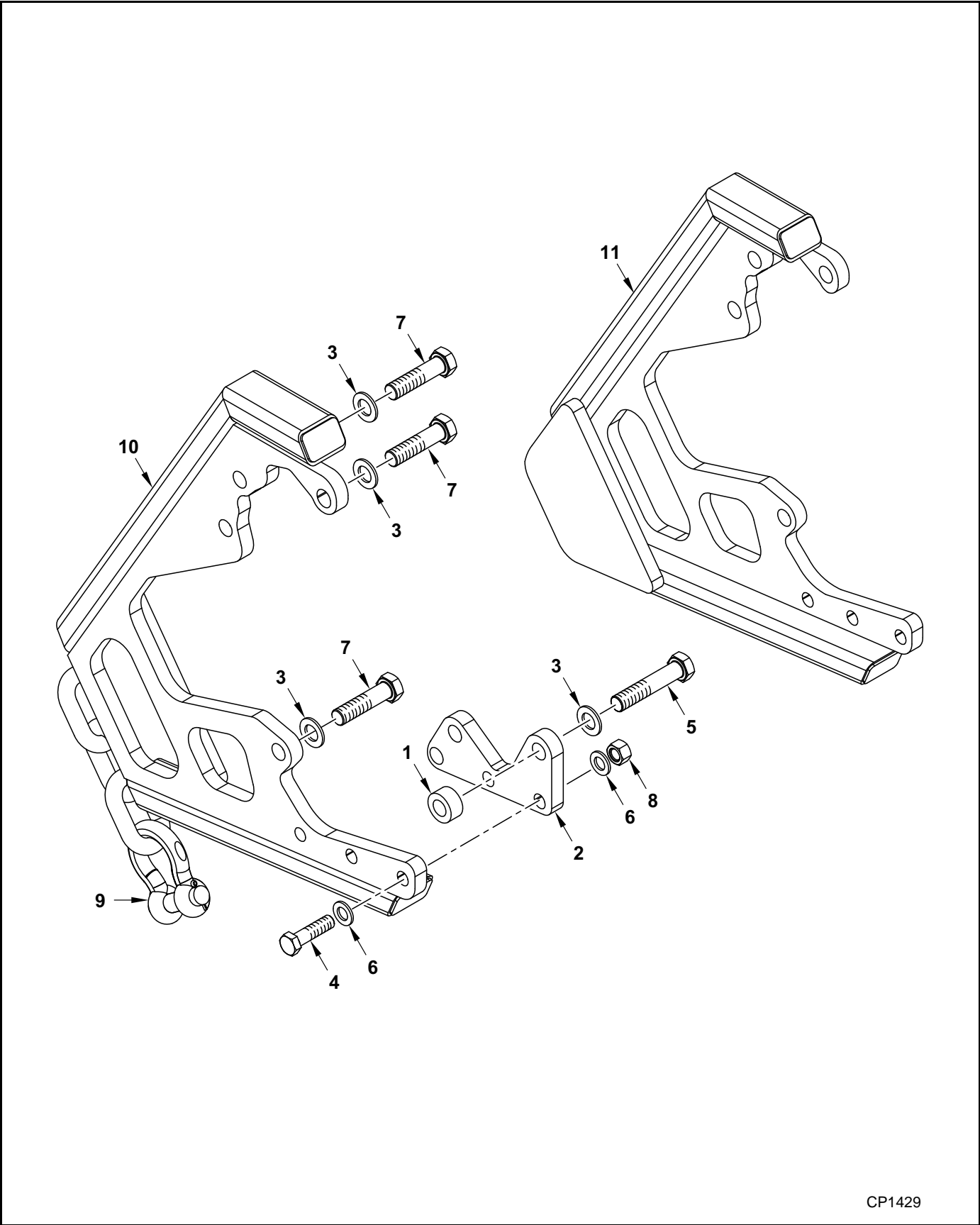
(2K-0070-12June2014)

Ref.	FN	Part Number	CTS Series	Qty.	Description
		2K-0070		1	KIT, Combine Fitment, Includes items 1 - 6
1		2P-0039		1	DRIVE, Socket, 3/4"
2		2A-1083-100		1	KIT, Oscillating Limiter, See page 11-4
3		2C-2474-100		2	SPACER, Hub, Main
4		2F-0392		20	WASHER, Wedge Locking, M22
5		2F-0415		20	BOLT, Hex, M22 x 100, C110.9
6		1000956		1	HOSE, Charging, Includes items 7 - 11
7		1000957		1	HOSE, Pressure Gauge
8		2F-0303		1	WASHER, Copper, 21 x 27 x 1.5
9		2F-0304		1	WASHER, Copper, 13 x 19 x 1.5
10		2H-0193		1	COUPLER, Quick, Female, 1/4" BSPP
11		2H-0220		1	COUPLER, Quick, Male, 1/2" BSPP
12	1,2	1000581		2	BRACKET
13	1,2	2F-0288		8	BOLT
14	1,2	2F-0325		8	WASHER

1 - Installed on CTS from factory not included in kit.

2 - Not used if installing 30/36T CTS series.

Kit, Oscillation Limiter



CP1429

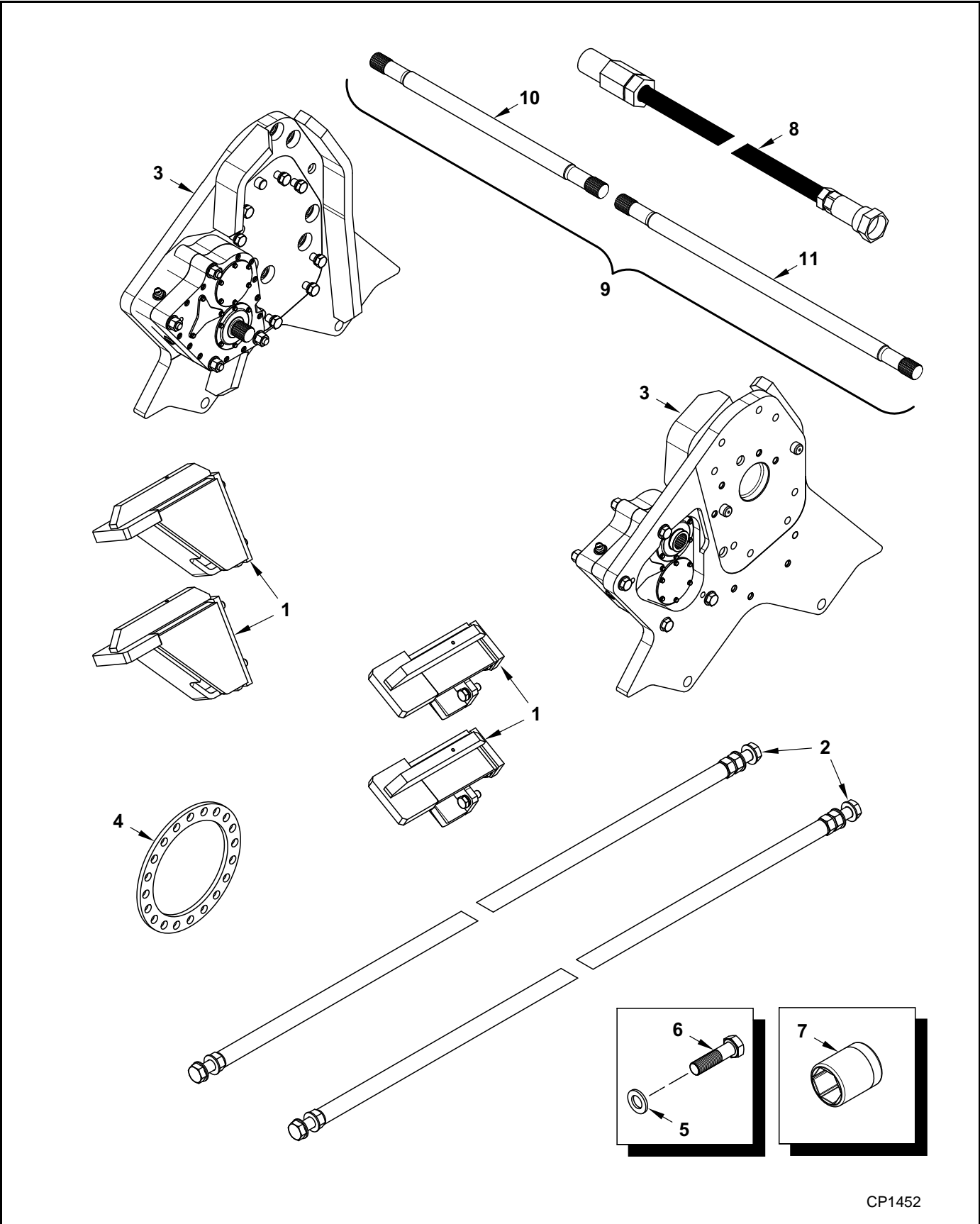
# FITMENT KIT - STANDARD, NON-SUSPENDED & SUSPENDED SYSTEMS (CNH)

## Kit, Oscillation Limiter

(2A-1083-12June2014)

Ref.	FN	Part Number	CTS Series	Qty.	Description
		2A-1083-100		1	KIT, Oscillation Limiter, Includes items 1 - 11
1		2C-2421-100		4	SPACER, 3/4"
2		2C-2426-100		2	PLATE, Attachment
3		2F-0031		12	WASHER, M20
4		2F-0064		6	BOLT, Hex, M16 x 20, CI 10.9
5		2F-0069		4	BOLT, Hex, M20 x 100, CI 10.9
6		2F-0112		12	WASHER, M16
7		2F-0130		8	BOLT, Hex, M20 x 80, CI 10.9
8		2F-0310		6	NUT, Hex, M16
9		2M-0166		2	SHACKLE
10		2S-0463-001		1	LIMITER, Oscillation, LH
11		2S-0464-001		1	LIMITER, Oscillation, RH

Kit, Speed Multiplier



CP1452

# FITMENT KIT - SPEED MULTIPLIER, SUSPENDED SYSTEMS (CNH)

## Kit, Speed Multiplier

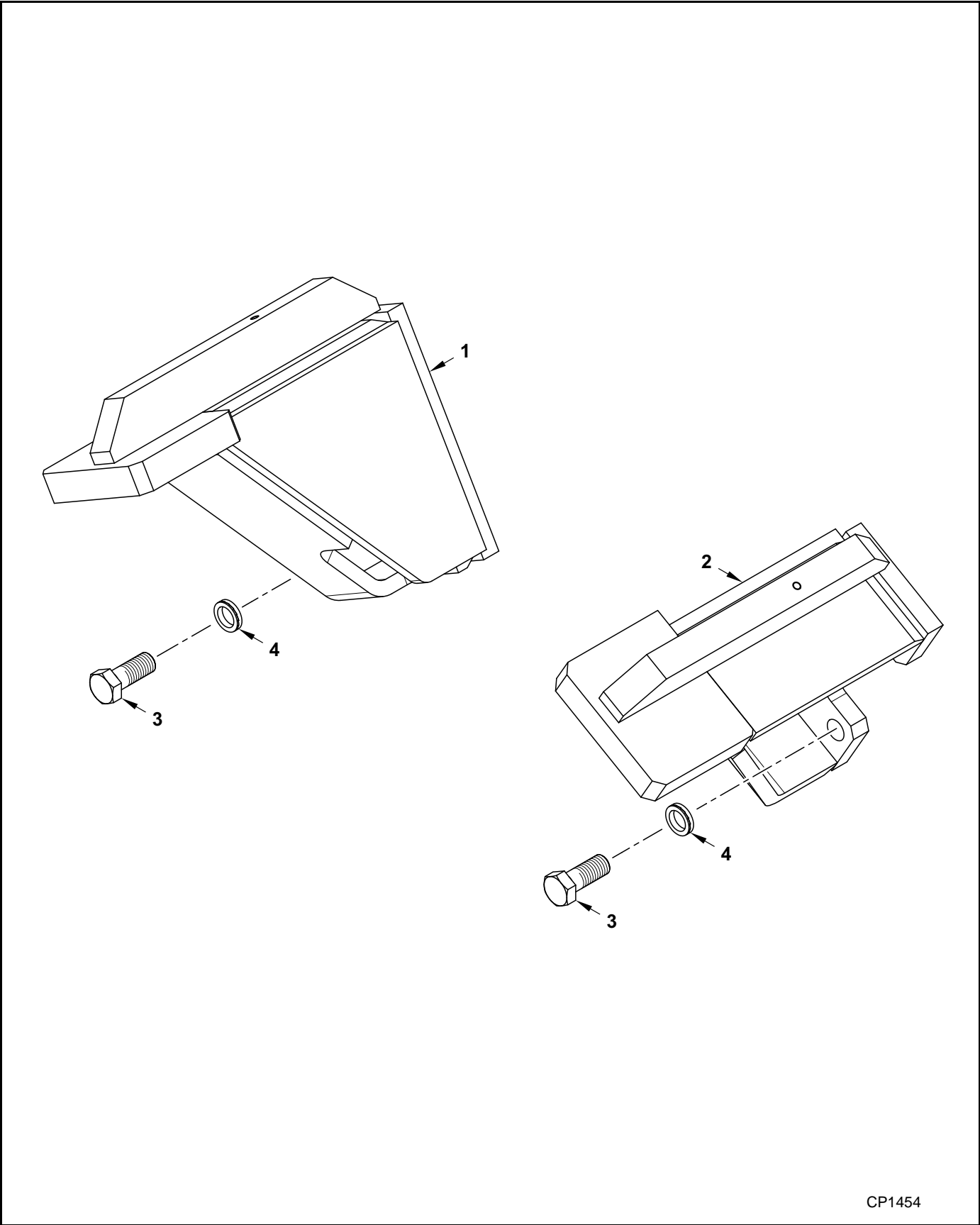
(2K-0126)

Ref.	FN	Part Number	CTS Series	Qty.	Description
		2K-0098		1	KIT, Speed Multiplier, 265mm Axle Extension, Includes items 1 - 9
		2K-126		1	KIT, Speed Multiplier, 316mm Axle Extension, Includes items 1 - 9
1		1003139		4	OSCILLATION ASSY., Stop, See page 12-4
2	1	2A-1234-100		2	ROD ASSY., Tie, See page 12-6
	2	2A-1263-100		2	ROD ASSY., Tie, See page 12-6
3	1	2A-1237-100		3	MULTIPLIER ASSY., Speed, See page 12-8
	2	2A-1264-100		3	MULTIPLIER ASSY., Speed, See page 12-8
4		2C-2474-100		1	SPACER, Manual Hub
5		2F-0392		20	WASHER, Wedge Locking, M22
6		2F-0415		20	BOLT, Hex
7		2P-0039		1	SOCKET, Drive, 3/4" drive, 32mm
8		1000956		1	HOSE, Tensioning
9	1	2A-1258-100		1	DRIVESHAFT ASSY., Gearbox, 22T, Includes items 10 & 11
	2	2A-1262-100		1	DRIVESHAFT ASSY., Gearbox, 22T, Includes items 10 & 11
10	1	2C-2773		1	SHAFT, Gearbox, LH, 22T
	2	2C-2830		1	SHAFT, Gearbox, LH, 22T
11	1	2C-2774		1	SHAFT, Gearbox, RH, 22T
	2	2C-2831		1	SHAFT, Gearbox, RH, 22T

1 - Used with the 316 mm Axle Extension.

2 - Used with the 265 mm Axle Extension.

# Oscillation Stop Assembly



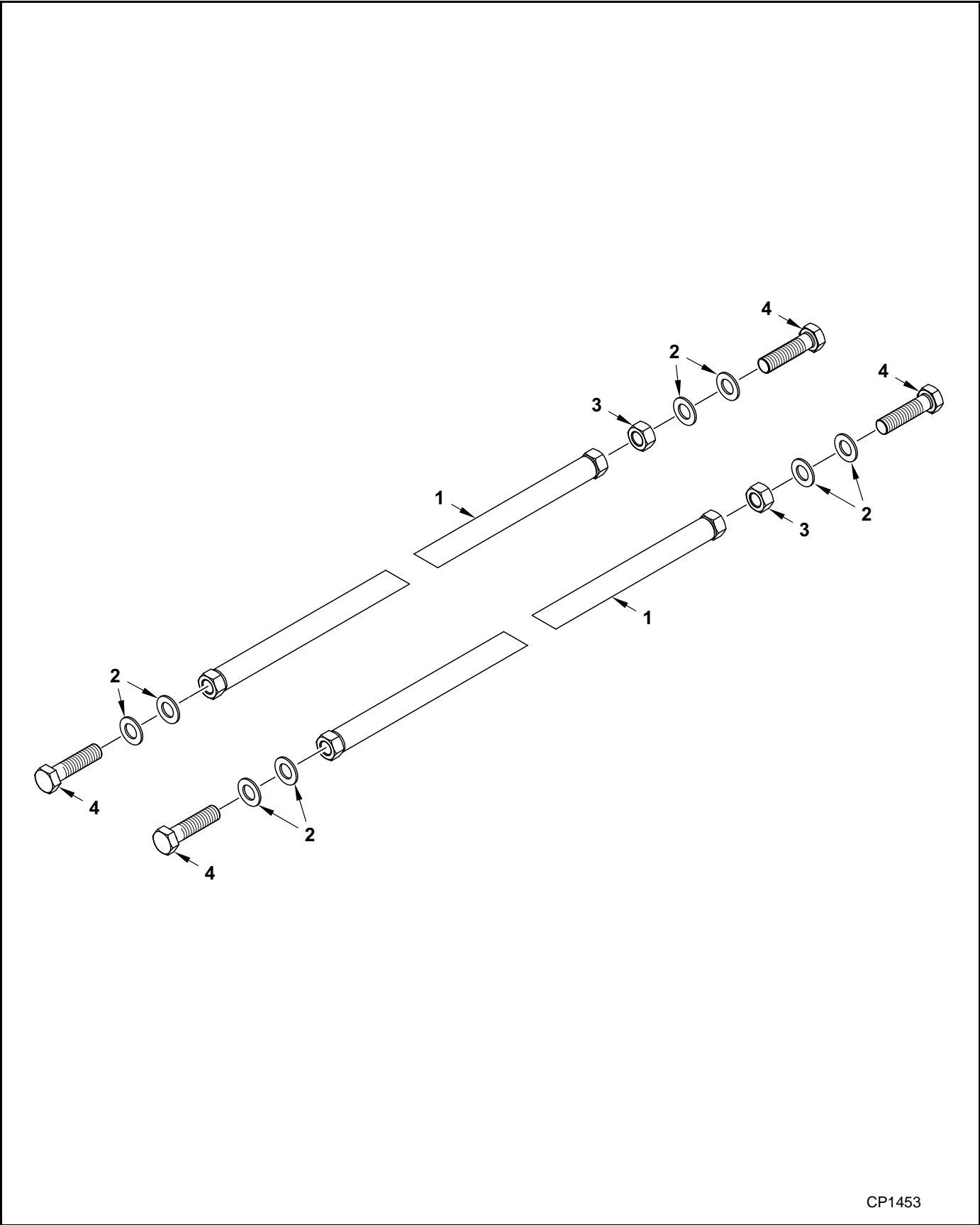
CP1454

# FITMENT KIT - SPEED MULTIPLIER, SUSPENDED SYSTEMS (CNH)

## Oscillation Stop Assembly

Ref.	FN	Part Number	CTS Series	Qty.	Description
		1003139		1	OSCILLATION ASSY., Stop, Includes items 1 - 4
1		1003140		1	STOP, Oscillation, LH
2		1003141		1	STOP, Oscillation, RH
3		2F-0462		8	BOLT, Hex, M20 x 45, CI 10.9
4		2F-0325		8	WASHER, Wedge Locking, M20

Tie Rod Assembly



CP1453



# FITMENT KIT - SPEED MULTIPLIER, SUSPENDED SYSTEMS (CNH)

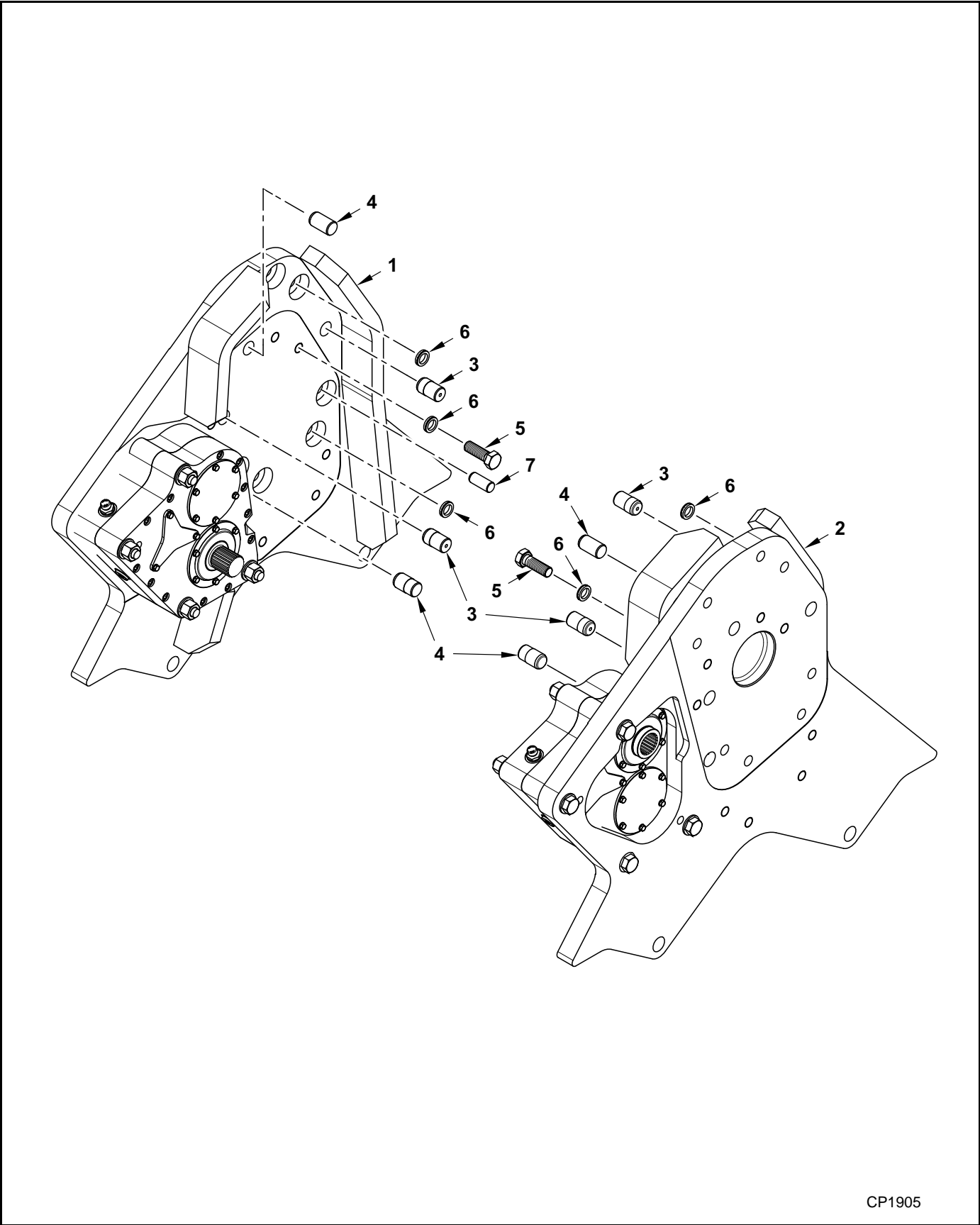
## Tie Rod Assembly

Ref.	FN	Part Number	CTS Series	Qty.	Description
	1	2A-1234-100		1	ROD ASSY., Tie, Includes items 1 - 4
	2	2A-1263-100		1	ROD ASSY., Tie, Includes items 1 - 4
1	1	2S-0506		2	ROD, Tie
	2	2S-0556		2	ROD, Tie
2		2F-0332		8	WASHER, M30
3		2F-0453		2	NUT, Hex, M30
4		2F-0452		4	BOLT, Hex, M30 x 120, Cl 10.9

1 - Used with the 265 mm Axle Extension.

2 - Used with the 316 mm Axle Extension.

# Speed Multiplier Assembly



CP1905

# FITMENT KIT - SPEED MULTIPLIER, SUSPENDED SYSTEMS (CNH)

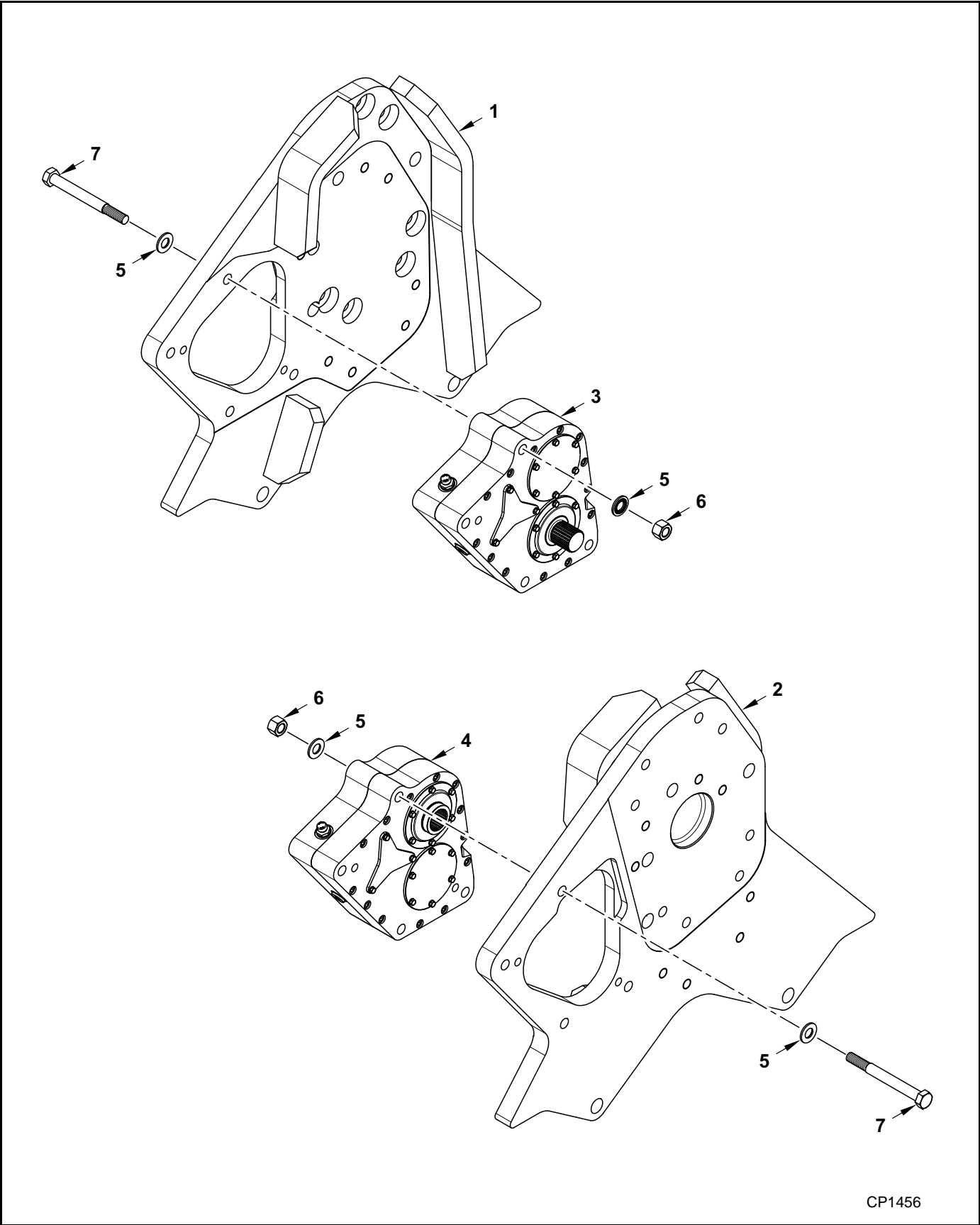
## Speed Multiplier Assembly

Ref.	FN	Part Number	CTS Series	Qty.	Description
	1	2A-1237-100		1	MULTIPLIER ASSY., Speed, Includes items 1 - 6
	2	2A-1264-100		1	MULTIPLIER ASSY., Speed, Includes items 1 - 7
1		2A-1235		1	PLATE ASSY., Mounting, RH, See page 12-10
2		2A-1236		1	PLATE ASSY., Mounting, LH, See page 12-10
3		1003151		4	PIN, Guide
4		1003195		2	PIN, Guide
5		2F-0107		16	BOLT, Hex, M20 x 60, CI10.9
6		2F-0325		32	WASHER, M20
7	2	2C-2873		2	DOWEL, Offset

1 - Used with the 265 mm Axle Extension.

2 - Used with the 316 mm Axle Extension.

# Mounting Plate Assembly



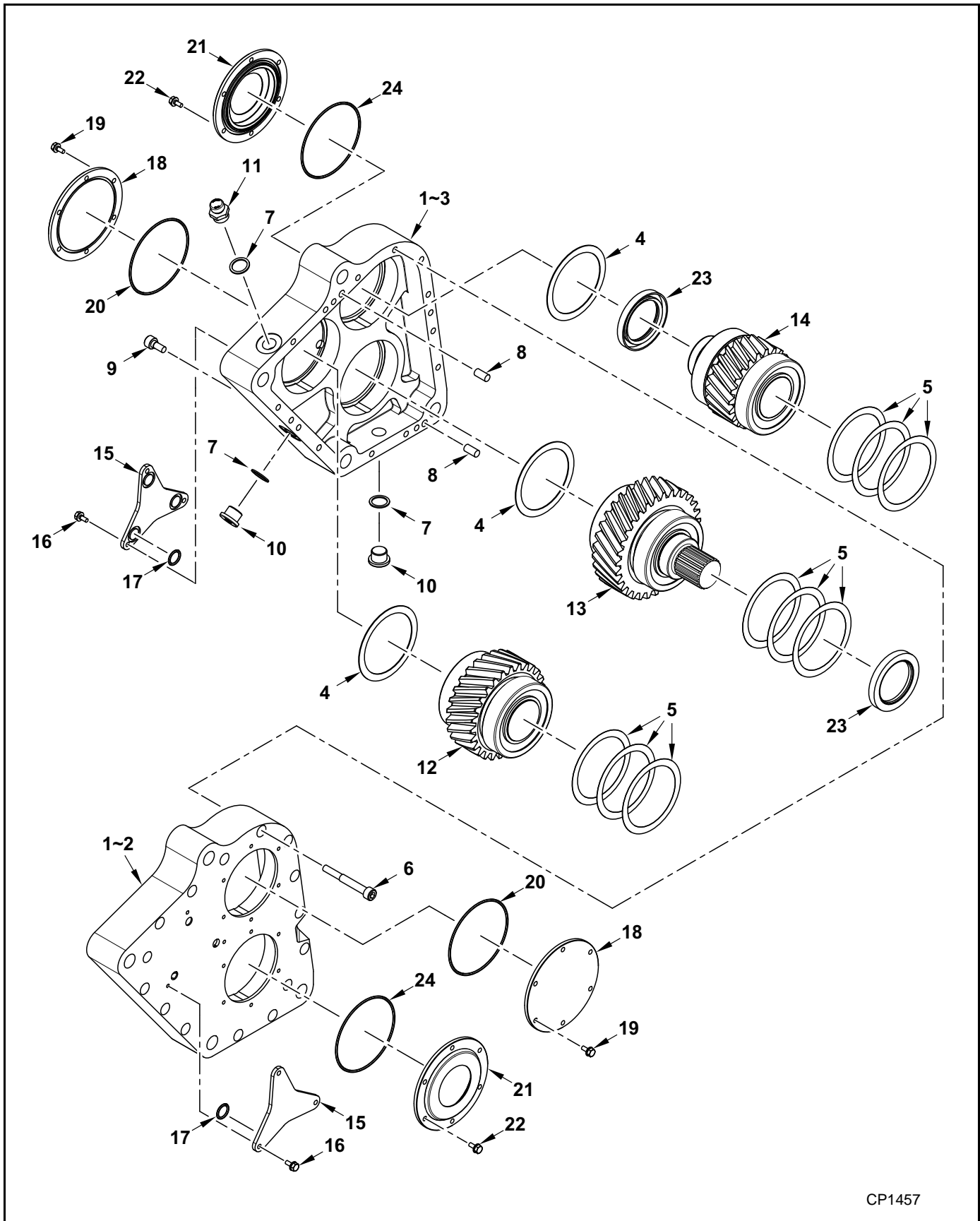
CP1456

# FITMENT KIT - SPEED MULTIPLIER, SUSPENDED SYSTEMS (CNH)

## Mounting Plate Assembly

Ref.	FN	Part Number	CTS Series	Qty.	Description
		2A-1235		1	PLATE ASSY., Mounting, LH, Includes items 1 & 3 - 7
		2A-1236		1	PLATE ASSY., Mounting, RH, Includes items 2 & 3 - 7
1		1000821		1	PLATE, Mounting, LH
2		1000820		1	PLATE, Mounting, RH
3		1000802		1	GEARBOX ASSY., LH, See page 12-12
4		1000801		1	GEARBOX ASSY., RH, See page 12-12
5		2F-0275		16	WASHER
6		2F-0296		8	NUT, Hex
7		2F-0342		8	BOLT, Hex, Mounting

# Gearbox Assembly



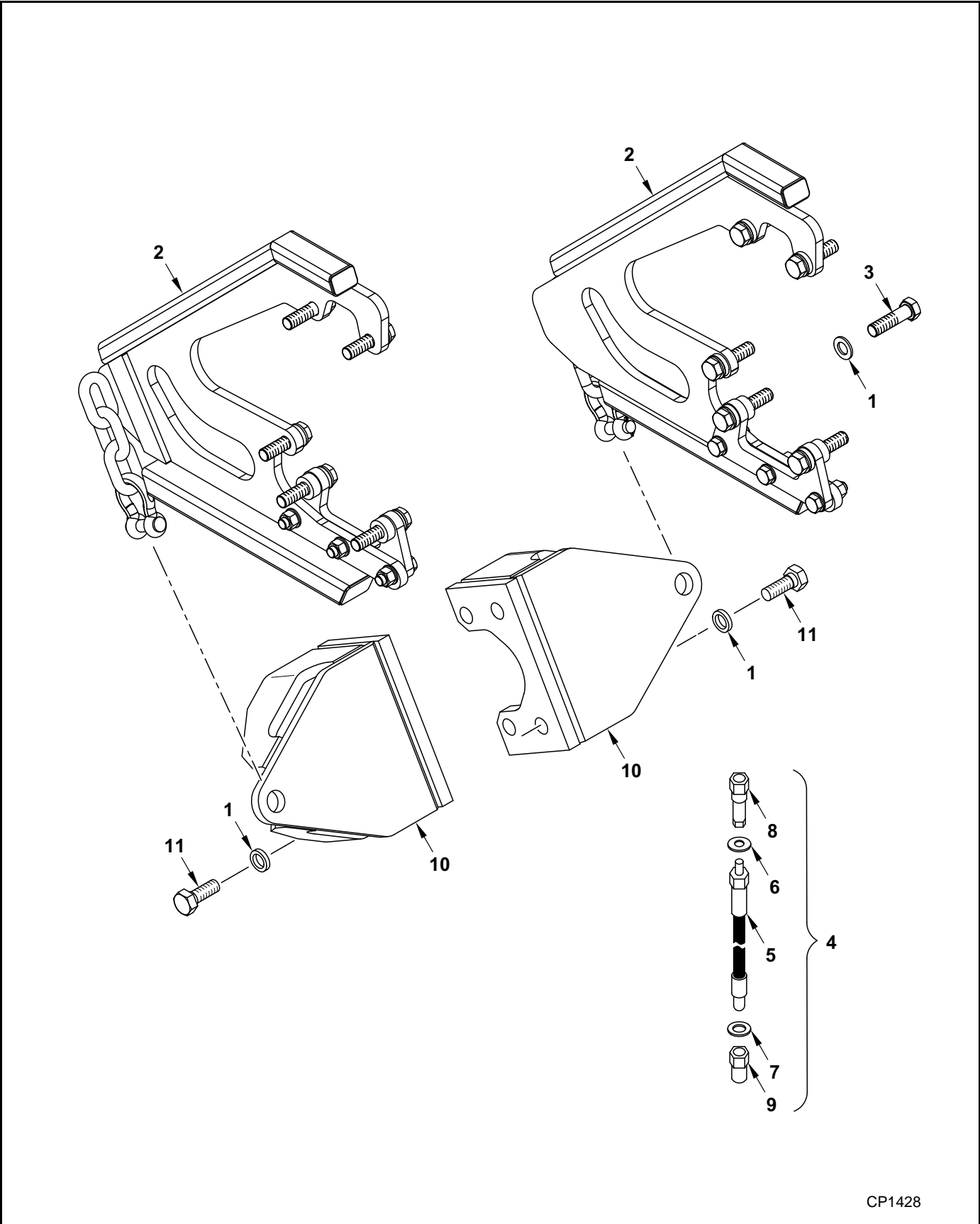
CP1457

# FITMENT KIT - SPEED MULTIPLIER, SUSPENDED SYSTEMS (CNH)

## Gearbox Assembly

Ref.	FN	Part Number	CTS Series	Qty.	Description
		1000801		1	GEARBOX ASSY., RH, Includes items 1 - 24
		1000802		1	GEARBOX ASSY., LH, Includes items 1 - 24
1		1000803		1	HOUSING ASSY., Gearbox, Includes items 2 - 11
2		1000804		1	COVER, Housing, Outboard
3		1000805		1	COVER, Housing, Inboard
4		2C-2463-100		UAR	SHIM
5		2C-2464-100		UAR	SHIM
6		2F-0291		13	BOLT, Mounting
7		2F-0303		3	O-RING
8		2F-0411		2	PIN, Dowel
9		2F-0412		4	BOLT, Mounting
10		2H-0207		2	SCREW, Hex Socket
11		2H-0224		1	PLUG
12		1000810		1	GEAR
13		1000808		1	GEAR
14		1000806		1	GEAR
		1000816		2	BRACKET ASSY., Mounting, Includes items 15 - 17
15		1000817		1	BRACKET, Mounting
16		2F-0295		3	SCREW, Mounting
17		2J-0153		3	WASHER
		1000814		1	COVER ASSY., Gearbox, Inboard, Includes items 18 - 20
18		1000815		1	COVER
19		2J-0295		6	BOLT, Mounting
20		2J-0152		1	O-RING, Cover
		1000812		1	COVER ASSY., Gearbox, Outboard, Includes items 21 - 24
21		1000813		1	COVER
22		2F-0295		6	BOLT, Mounting
23		2J-0151		1	SEAL, Multi-lip
24		2J-0152		1	O-RING

Kit, Combine Fitment (50,60,70 Series STS)



CP1428



# FITMENT KIT - STANDARD, NON-SUSPENDED & SUSPENDED SYSTEMS (JD)

## Kit, Combine Fitment (50,60,70 Series STS)

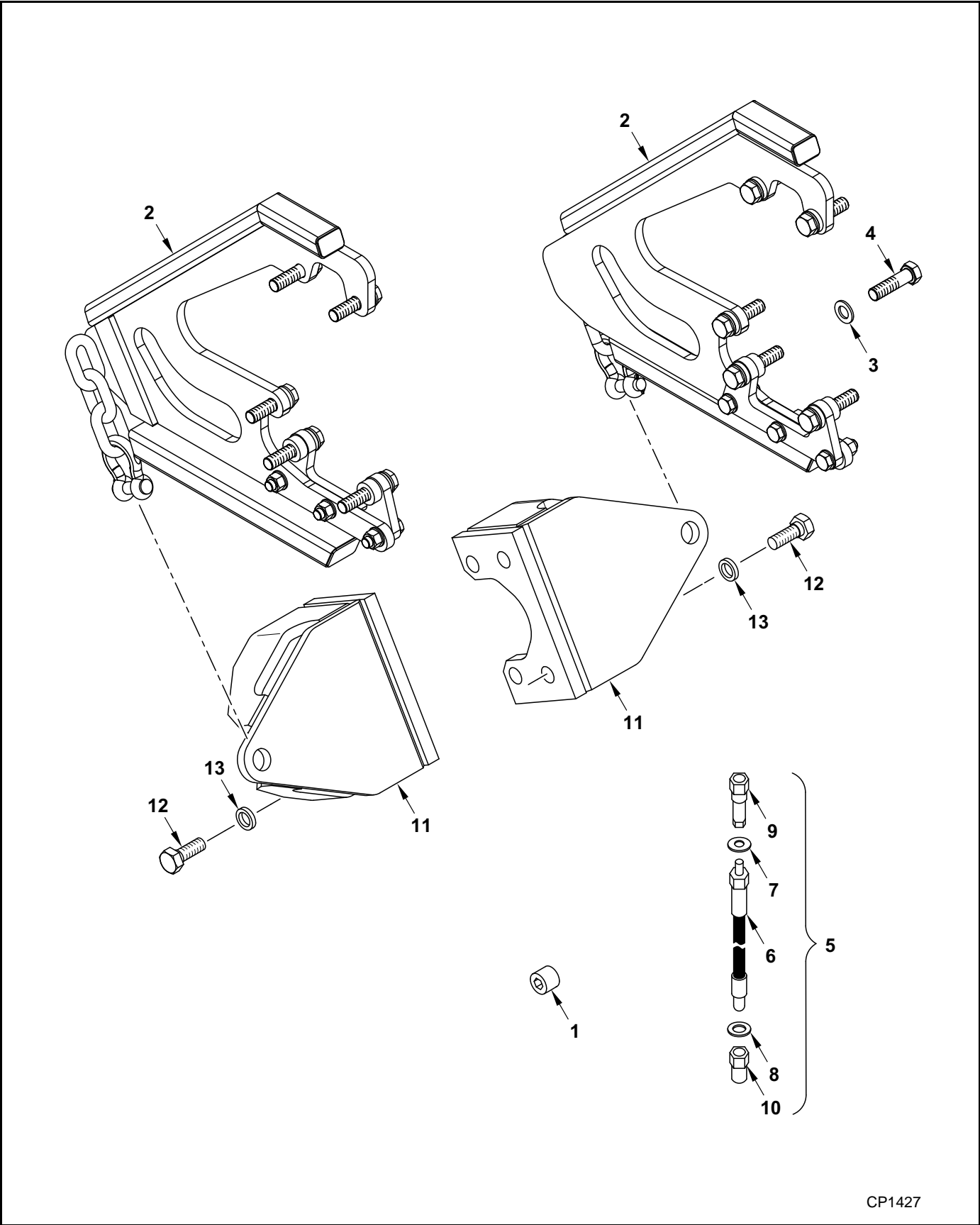
(2K-0068 & 2K-0069-12June2014)

Ref.	FN	Part Number	CTS Series	Qty.	Description
		2K-0069		1	KIT, Combine Fitment, Includes items 1 - 4
1		2F-0325		28	WASHER, Wedge Locking, M20
2		2A-1082-100		1	KIT, Oscillating Limiter, See page 13-6
3		2F-0289		20	BOLT, Hex, M20 x 80
4		1000956		1	HOSE, Charging, Includes items 5 - 9
5		1000957		1	HOSE, Pressure Gauge
6		2F-0303		1	WASHER, Copper, 21 x 27 x 1.5
7		2F-0304		20	WASHER, Copper, 13 x 19 x 1.5
8		2H-0193		1	COUPLER, Quick, Female, 1/4" BSPP
9		2H-0220		1	COUPLER, Quick, Male, 1/2" BSP
10	1,2	1000581		2	BRACKET
11	1,2	2F-0288		8	BOLT

1 - Installed on CTS from factory not included in kit.

2 - Not used if installing 30/36T CTS series.

Kit, Combine Fitment (S-Series)



CP1427

# FITMENT KIT - STANDARD, NON-SUSPENDED & SUSPENDED SYSTEMS (JD)

## Kit, Combine Fitment (S-Series)

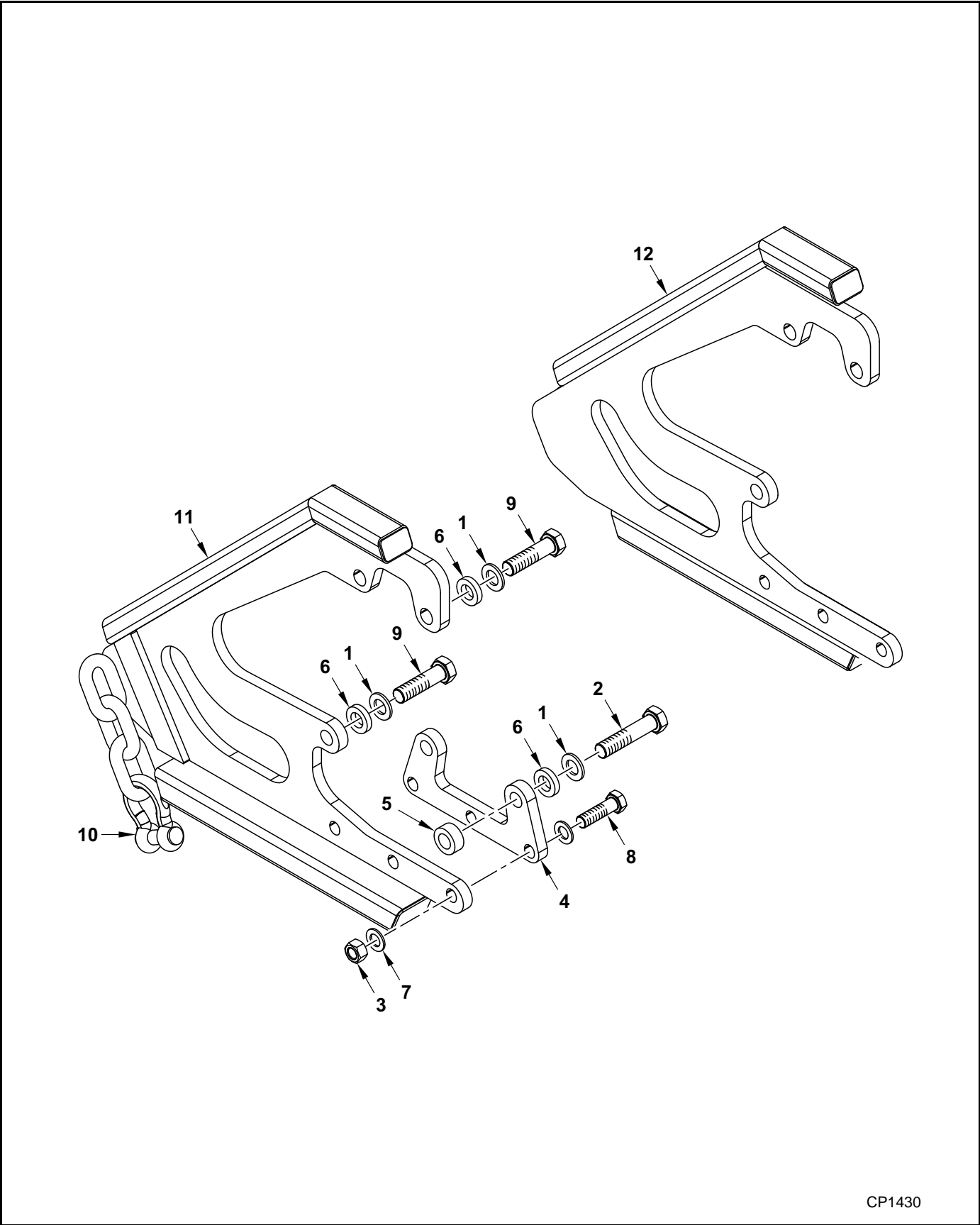
(2K-0068 & 2K-0069-12June2014)

Ref.	FN	Part Number	CTS Series	Qty.	Description
		2K-0068		1	KIT, Combine Fitment, Includes items 1 - 5
1		2P-0039		1	DRIVE, Socket, 3/4"
2		2A-1082-100		1	KIT, Oscillating Limiter, See page 13-6
3		2F-0392		20	WASHER, Wedge Locking, M22
4		2F-0393		20	BOLT, Hex, M22 x 80, CI 10.9
5		1000956		1	HOSE, Charging, Includes items 6 - 10
6		1000957		1	HOSE, Pressure Gauge
7		2F-0303		1	WASHER, Copper, 21 x 27 x 1.5
8		2F-0304		1	WASHER, Copper, 13 x 19 x 1.5
9		2H-0193		1	COUPLER, Quick, Female, 1/4" BSPP
10		2H-0220		1	COUPLER, Quick, Male, 1/2" BSP
11	1,2	1000581		2	BRACKET
12	1,2	2F-0288		8	BOLT
13	1,2	2F-0325		8	WASHER

1 - Installed on CTS from factory not included in kit.

2 - Not used if installing 30/36T CTS series.

Kit, Oscillation Limiter



CP1430

# FITMENT KIT - STANDARD, NON-SUSPENDED & SUSPENDED (JD)

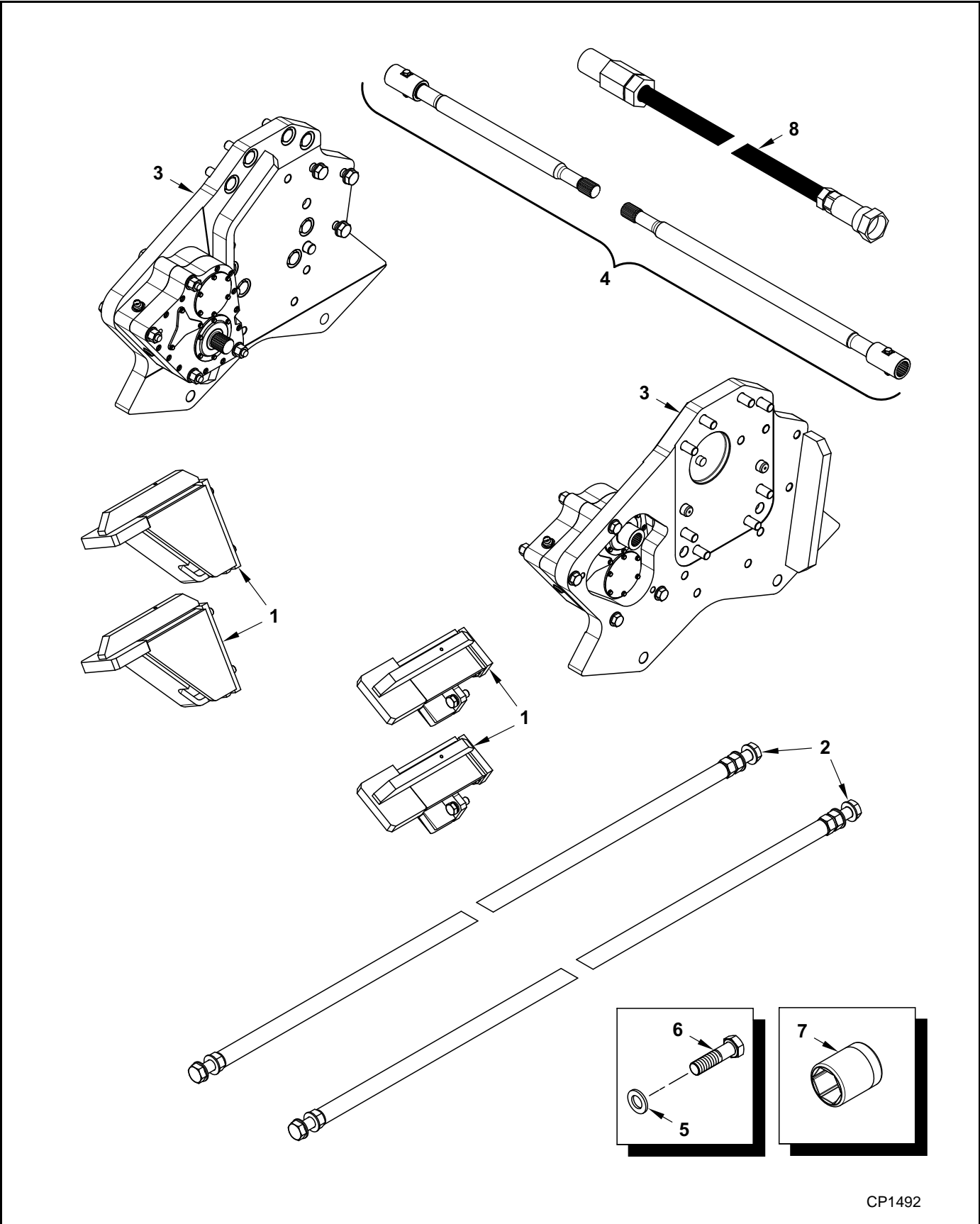
## Kit, Oscillation Limiter

(2A-1082-12June2014)

Ref.	FN	Part Number	CTS Series	Qty.	Description
		2A-1082-100		1	KIT, Oscillation Limiter, Includes items 1 - 12
1		224091361		10	WASHER, M24
2		732601509		4	BOLT, Hex, M24 x 110, CI 10.9
3		732610155		6	NUT, Hex, M20
4		2C-2400-100		2	PLATE, Attachment
5		2C-2419-100		4	SPACER, 3/4"
6	1	2C-2420-100		10	SPACER, 3/8"
7		2F-0031		12	WASHER, M20
8		2F-0158		6	BOLT, Hex, M20 x 70, CI 10.9
9		2F-0336		6	BOLT, Hex, M24 x 90, CI 10.9
10		2M-0166		2	SHACKLE, 3/4"
11		2S-0461-001		1	LIMITER, Oscillation, LH
12		2S-0462-001		1	LIMITER, Oscillation, RH

1 - If combine axle extensions are used. These spacers must be installed between the axle spacer and oscillation brackets without axle extensions. The spacer should be installed on the outside of the oscillation bracket.

Kit, Speed Multiplier (400mm Axle Extensions)



CP1492

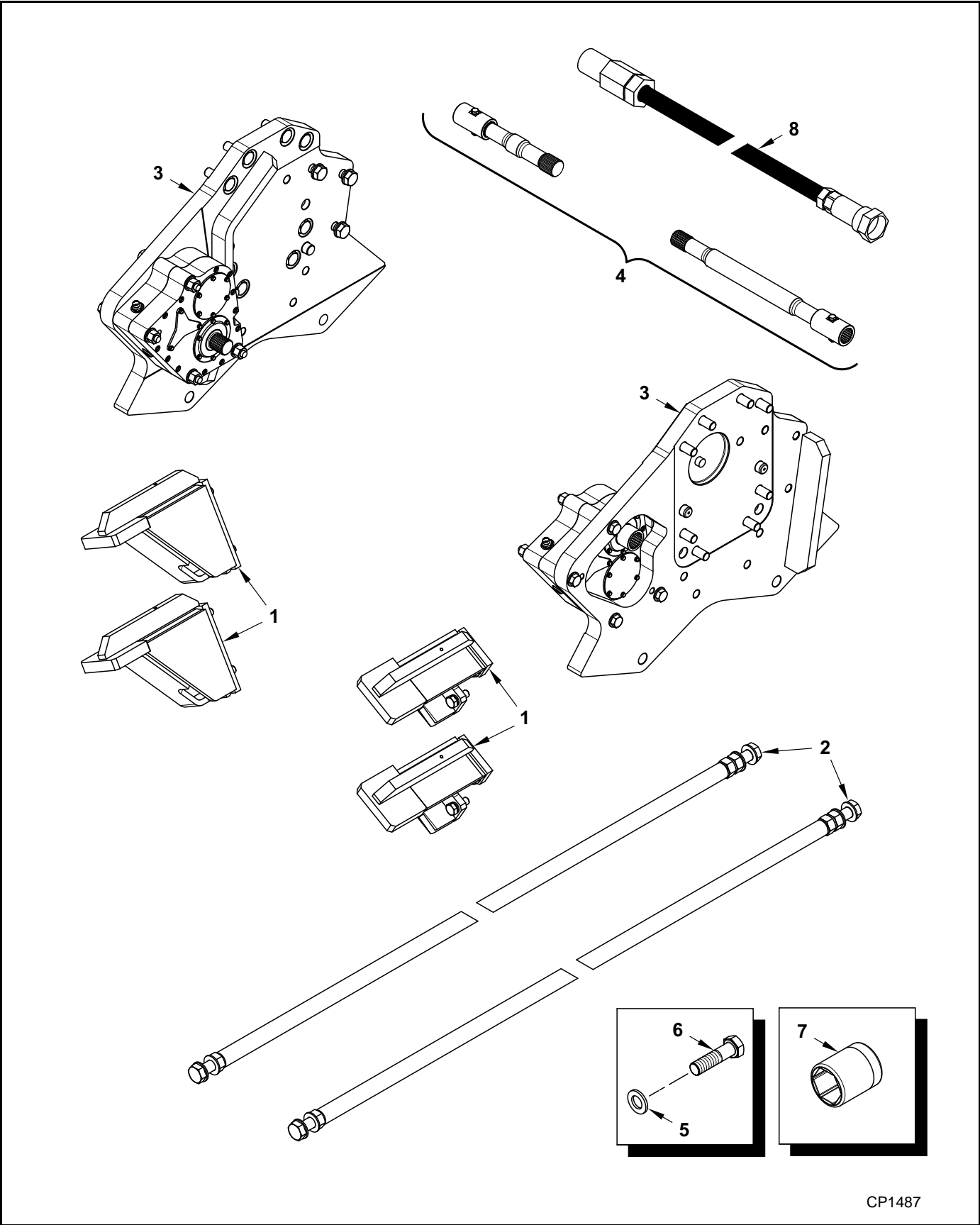
# FITMENT KIT - SPEED MULTIPLIER, SUSPENDED SYSTEMS (JD)

## Kit, Speed Multiplier (400mm Axle Extensions)

Ref.	FN	Part Number	CTS Series	Qty.	Description
	1	2K-0091		1	KIT, Speed Multiplier, 18T, Includes items 1 - 8
	1	2K-0093		1	KIT, Speed Multiplier, 22T, Includes items 1 - 8
	1	2K-0095		1	KIT, Speed Multiplier, 18/22T, Includes items 1 - 8
	1	2K-0097		1	KIT, Speed Multiplier, 18T, Includes items 1 - 8
1		1000870		4	OSCILLATION ASSY., Stop, See page 14-6
2		2A-1233-100		2	ROD ASSY., Tie, See page 14-8
3		2A-1243-100		1	MULTIPLIER ASSY., Speed, 18T, See page 14-12
		2A-1242-100		1	MULTIPLIER ASSY., Speed, 22T, See page 14-12
4		2A-1248-100		1	DRIVE SHAFT ASSY., Gearbox, 18T, See page 14-18
		2A-1247-100		1	DRIVE SHAFT ASSY., Gearbox, 22T, See page 14-18
5		2F-0392		20	WASHER, Wedge Locking, M22
	1	2F-0325		20	WASHER, Wedge Locking, M20
6		2F-0393		20	BOLT, Hex
	1	2F-0289		20	BOLT, Hex
7		2P-0039		1	SOCKET, Drive, 3/4' drive, 32mm
8		1000956		1	HOSE, Tensioning

1 - Used with STS 18T applications.

Kit, Speed Multiplier (Witout Axle Extensions)



CP1487



# FITMENT KIT - SPEED MULTIPLIER, SUSPENDED SYSTEMS (JD)

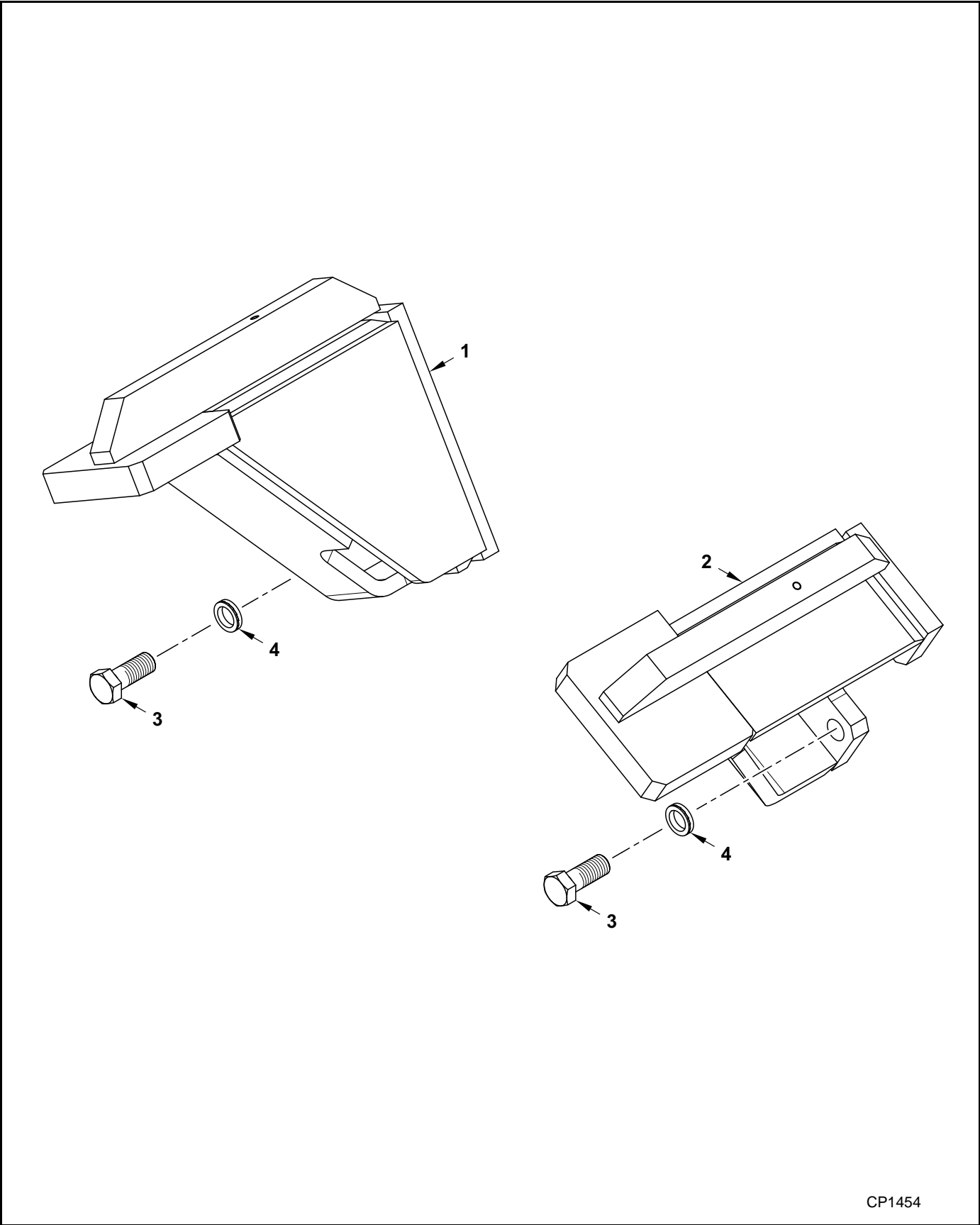
## Kit, Speed Multiplier (Without Axle Extensions)

Ref.	FN	Part Number	CTS Series	Qty.	Description
		2K-0096		1	KIT, Speed Multiplier, STS 18T, Includes items 1 - 8
		2K-0094		1	KIT, Speed Multiplier, 18/22T, Includes items 1 - 8
		2K-0092		1	KIT, Speed Multiplier, 22T, Includes items 1 - 8
1		1000870		4	OSCILLATION ASSY., Stop, See page 14-6
2		2A-1239-100		2	ROD ASSY., Tie, See page 14-10
3		2A-1242-100		1	MULTIPLIER ASSY., Speed, 22T, See page 14-12
		2A-1243-100		1	MULTIPLIER ASSY., Speed, 18T & 18/22T, See page 14-12
4		2A-1250-100		1	DRIVE SHAFT ASSY., Gearbox, 18T, See page 14-20
		2A-1249-100		1	DRIVE SHAFT ASSY., Gearbox, 22T, See page 14-20
5	2	2F-0392		20	WASHER, Wedge Locking, M22
	1	2F-0325		20	WASHER, Wedge Locking, M20
6	2	2F-0393		20	BOLT, Hex
	1	2F-0289		20	BOLT, Hex
7		2P-0039		1	SOCKET, Drive, 3/4" drive, 32mm
8		1000956		1	HOSE, Tensioning

1 - Used with 18T applications.

2 - Used with 22T applications.

# Oscillation Stop Assembly



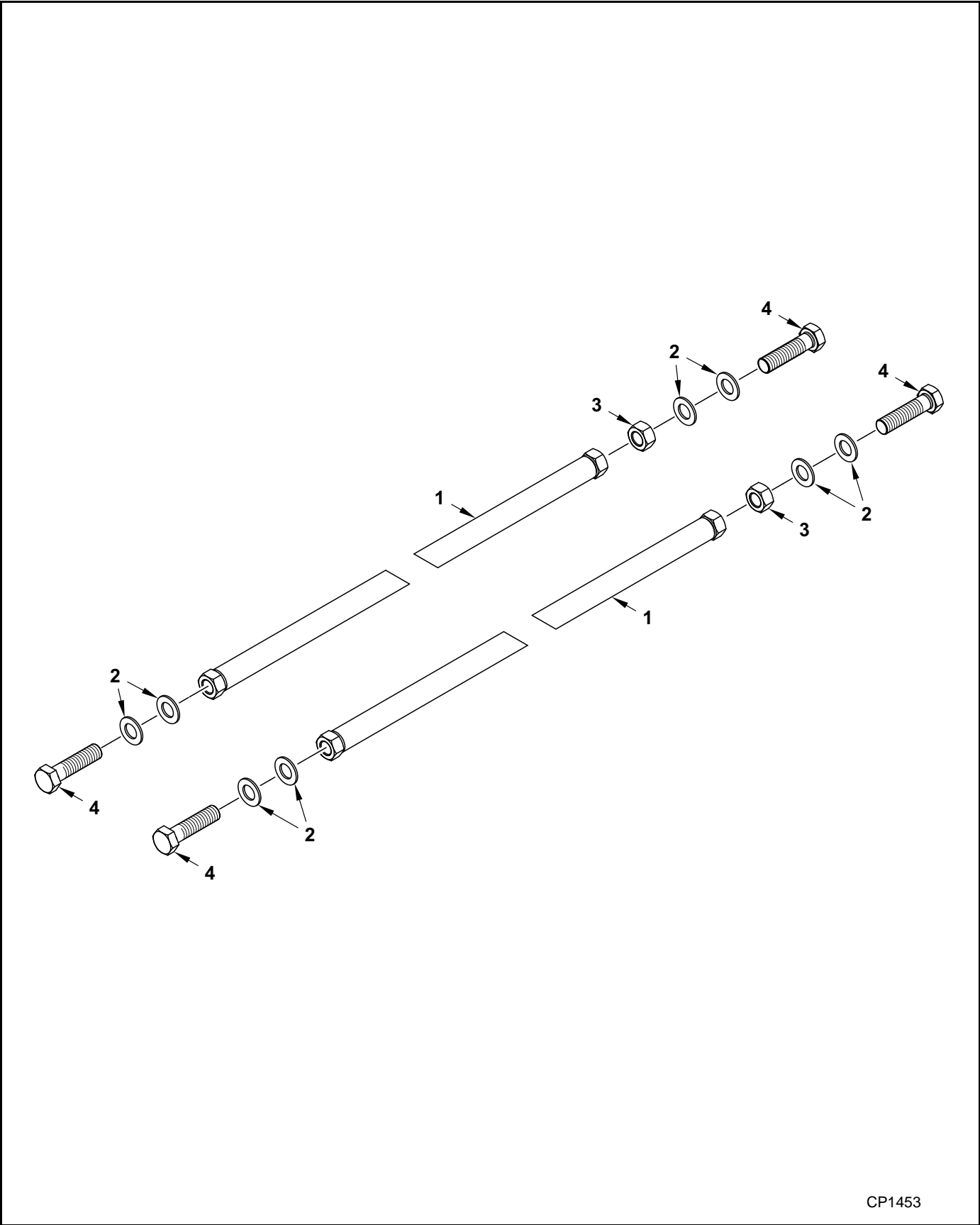
CP1454

# FITMENT KIT - SPEED MULTIPLIER, SUSPENDED SYSTEMS (JD)

## Oscillation Stop Assembly

Ref.	FN	Part Number	CTS Series	Qty.	Description
		1000870		1	OSCILLATION ASSY., Stop, Includes items 1 - 4
1		1000871		1	STOP, Oscillation, LH
2		1000872		1	STOP, Oscillation, RH
3		2F-0462		8	BOLT, Hex, M20 x 45, CI 10.9
4		2F-0325		8	WASHER, Wedge Locking, M20

Tie Rod Assembly (400mm Axle Extensions)



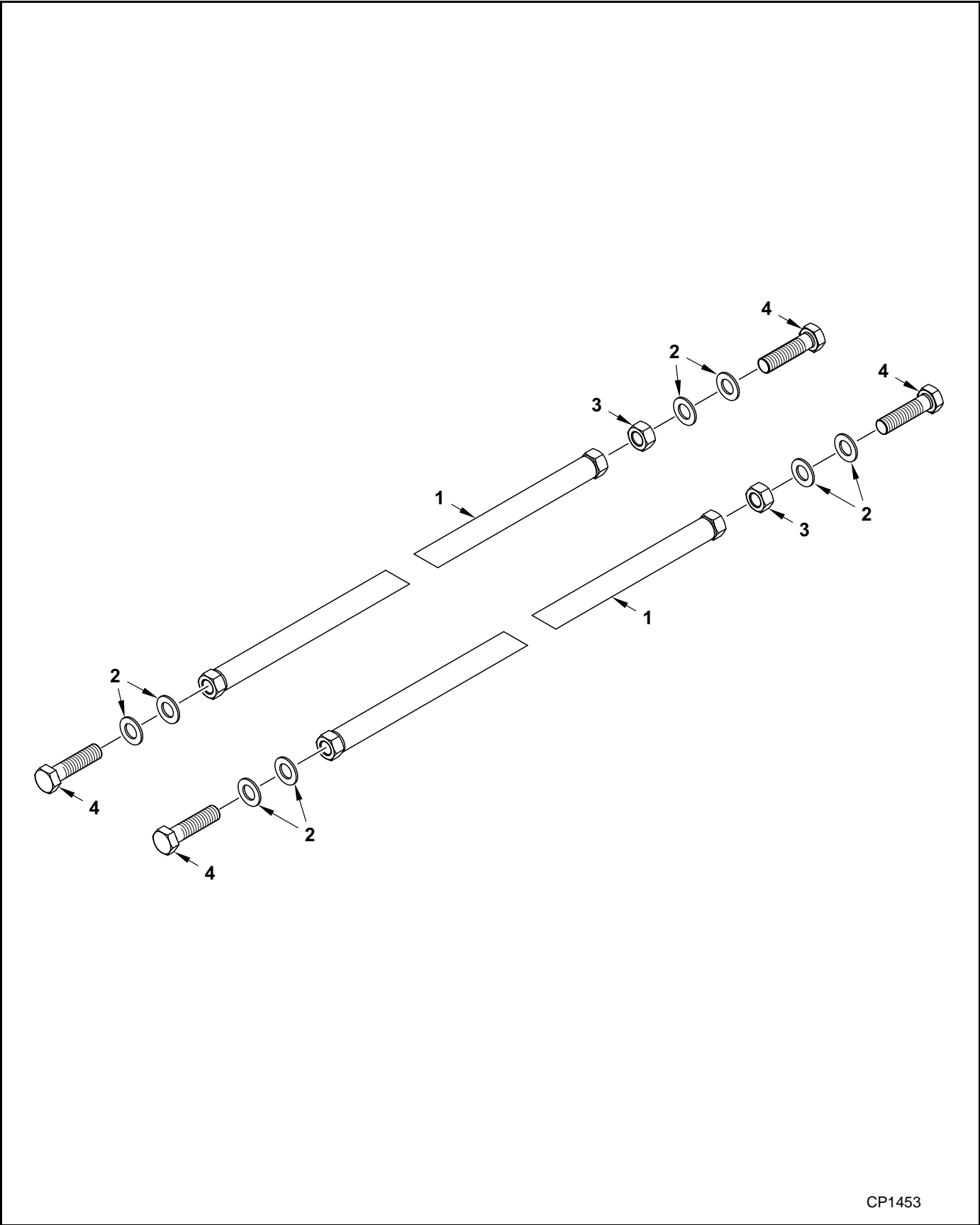
CP1453

# FITMENT KIT - SPEED MULTIPLIER, SUSPENDED SYSTEMS (JD)

## Tie Rod Assembly (400mm Axle Extensions)

Ref.	FN	Part Number	CTS Series	Qty.	Description
		2A-1233-100		1	ROD ASSY., Tie, Includes items 1 - 4
1		2C-2775-100		2	Rod, Tie
2		2F-0332		8	WASHER
3		2F-0453		2	NUT, Hex
4		2F-0452		4	BOLT, Hex

Tie Rod Assembly (Without Axle Extensions)



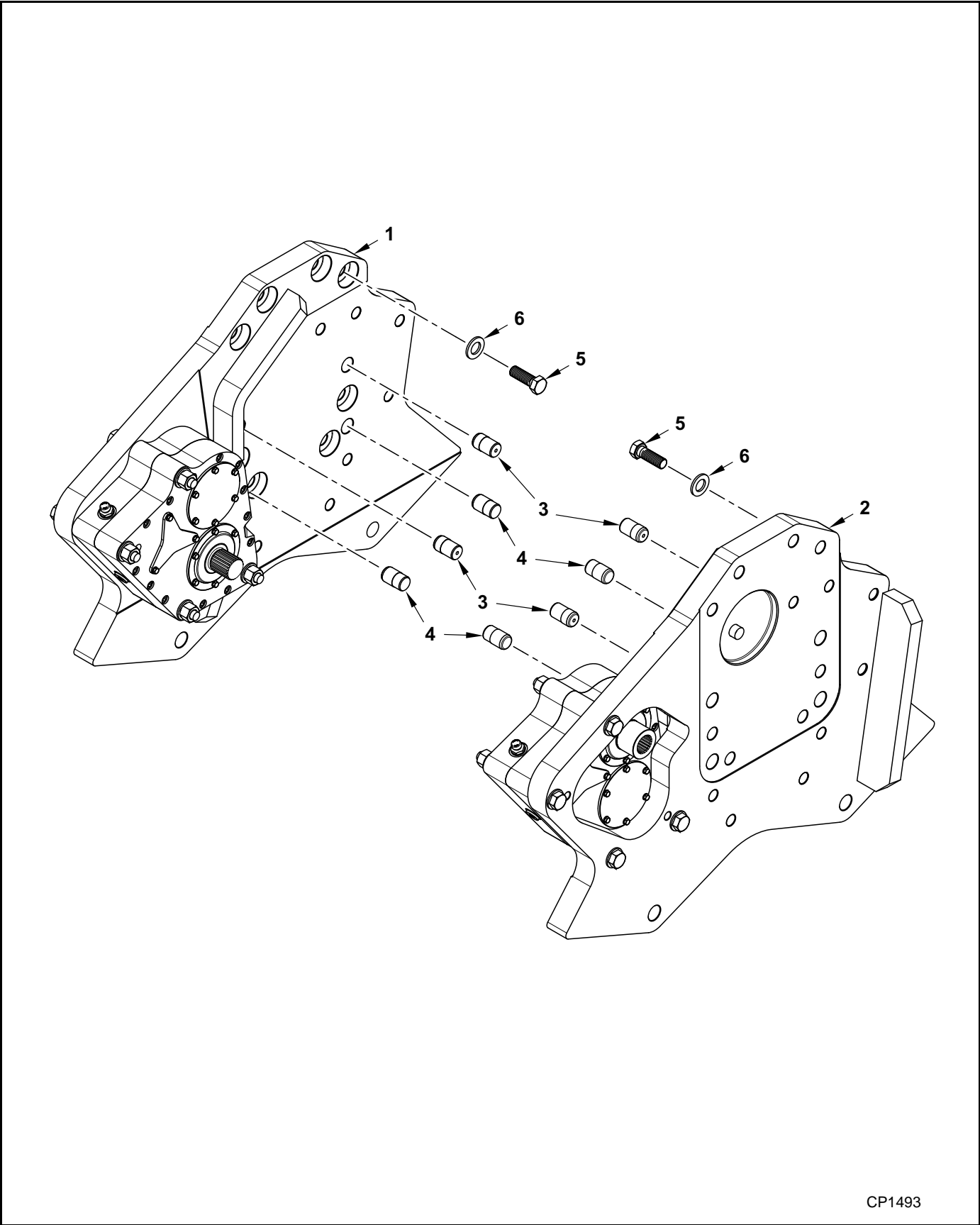
CP1453

# FITMENT KIT - SPEED MULTIPLIER, SUSPENDED SYSTEMS (JD)

## Tie Rod Assembly (Without Axle Extensions)

Ref.	FN	Part Number	CTS Series	Qty.	Description
		2A-1239-100		1	ROD ASSY., Tie, Includes items 1 - 4
1		2S-0505		2	ROD, Tie
2		2F-0332		8	WASHER
3		2F-0453		2	NUT, Hex
4		2F-0452		4	BOLT, Hex

Speed Multiplier Assembly



CP1493

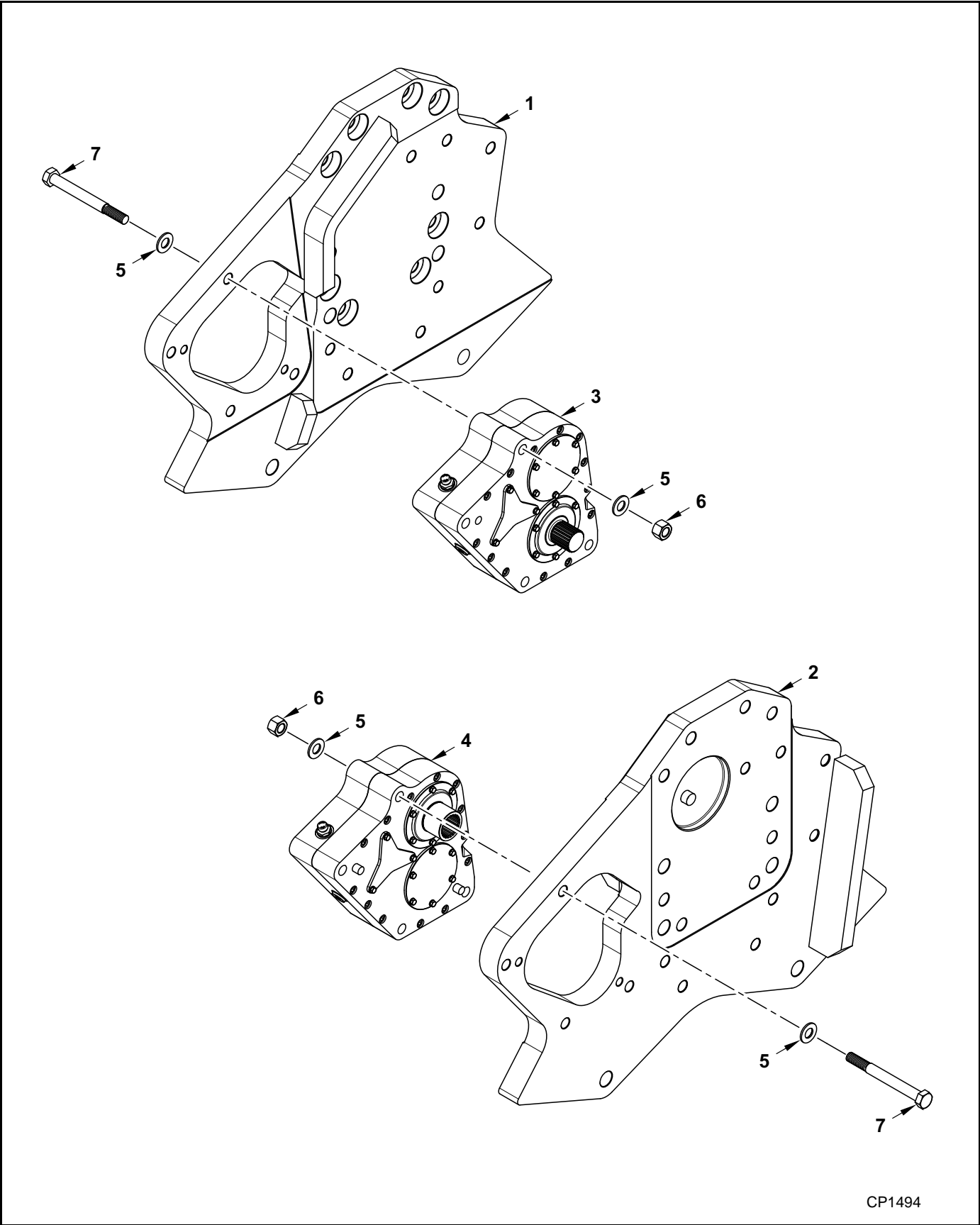


# FITMENT KIT - SPEED MULTIPLIER, SUSPENDED SYSTEMS (JD)

## Speed Multiplier Assembly

Ref.	FN	Part Number	CTS Series	Qty.	Description
		2A-1243-100		1	MULTIPLIER ASSY., Speed, 18T, includes items 1 - 6
		2A-1242-100		1	MULTIPLIER ASSY., Speed, 22T, includes items 1 - 6
1		2A-1246		1	PLATE ASSY., Mounting, LH, 18T, See page 14-14
		2A-1240-100		1	PLATE ASSY., Mounting, LH, 22T, See page 14-14
2		2A-1245		1	PLATE ASSY., Mounting, RH, 18T, See page 14-14
		2A-1241-100		1	PLATE ASSY., Mounting, RH, 22T, See page 14-14
3		1003151		4	PIN, Guide
4		1003195		4	PIN, Guide
5		2F-0181		22	BOLT, Hex
6		224091361		22	WASHER

# Mounting Plate Assembly



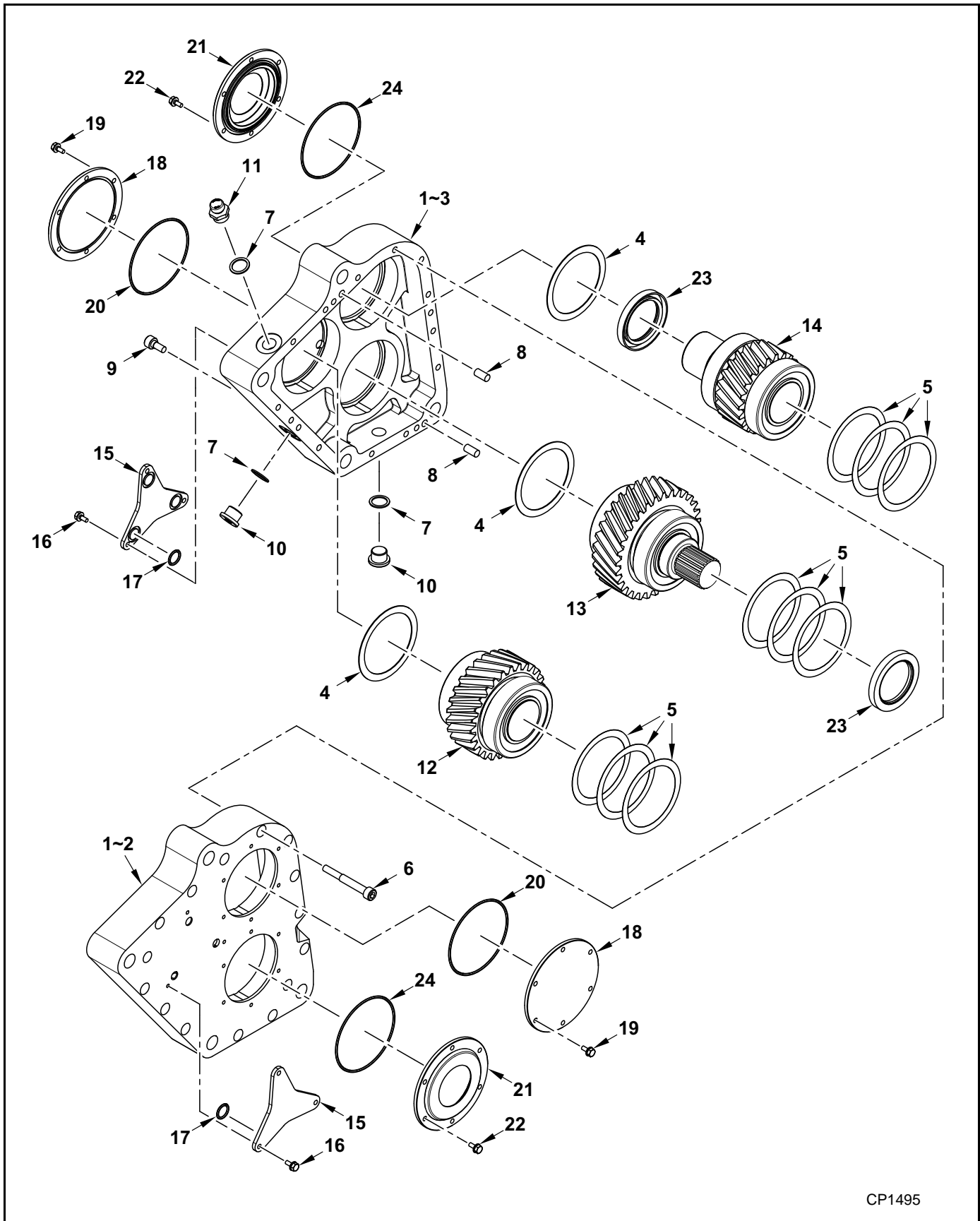
CP1494

# FITMENT KIT - SPEED MULTIPLIER, SUSPENDED SYSTEMS (JD)

## Mounting Plate Assembly

Ref.	FN	Part Number	CTS Series	Qty.	Description
		2A-1246		1	PLATE ASSY., Mounting, LH, 18T, Includes items 1 & 3 - 7
		2A-1240		1	PLATE ASSY., Mounting, LH, 22T, Includes items 1 & 3 - 7
		2A-1245		1	PLATE ASSY., Mounting, RH, 18T, Includes items 2 & 3 - 7
		2A-1241		1	PLATE ASSY., Mounting, RH, 22T, Includes items 2 & 3 - 7
1		1003179		1	PLATE, Mounting, LH, 18T
2		1003180		1	PLATE, Mounting, RH, 18T
3		1003194		1	GEARBOX ASSY., LH, 18T, See page 14-16
		1003303		1	GEARBOX ASSY., LH, 22T, See page 14-16
4		1003193		1	GEARBOX ASSY., RH, 18T, See page 14-16
		1003304		1	GEARBOX ASSY., RH, 22T, See page 14-16
5		2F-0275		16	WASHER
6		2F-0296		8	NUT, Hex
7		2F-0454		8	BOLT, Hex, Mounting

# Gearbox Assembly



CP1495

# FITMENT KIT - SPEED MULTIPLIER, SUSPENDED SYSTEMS (JD)

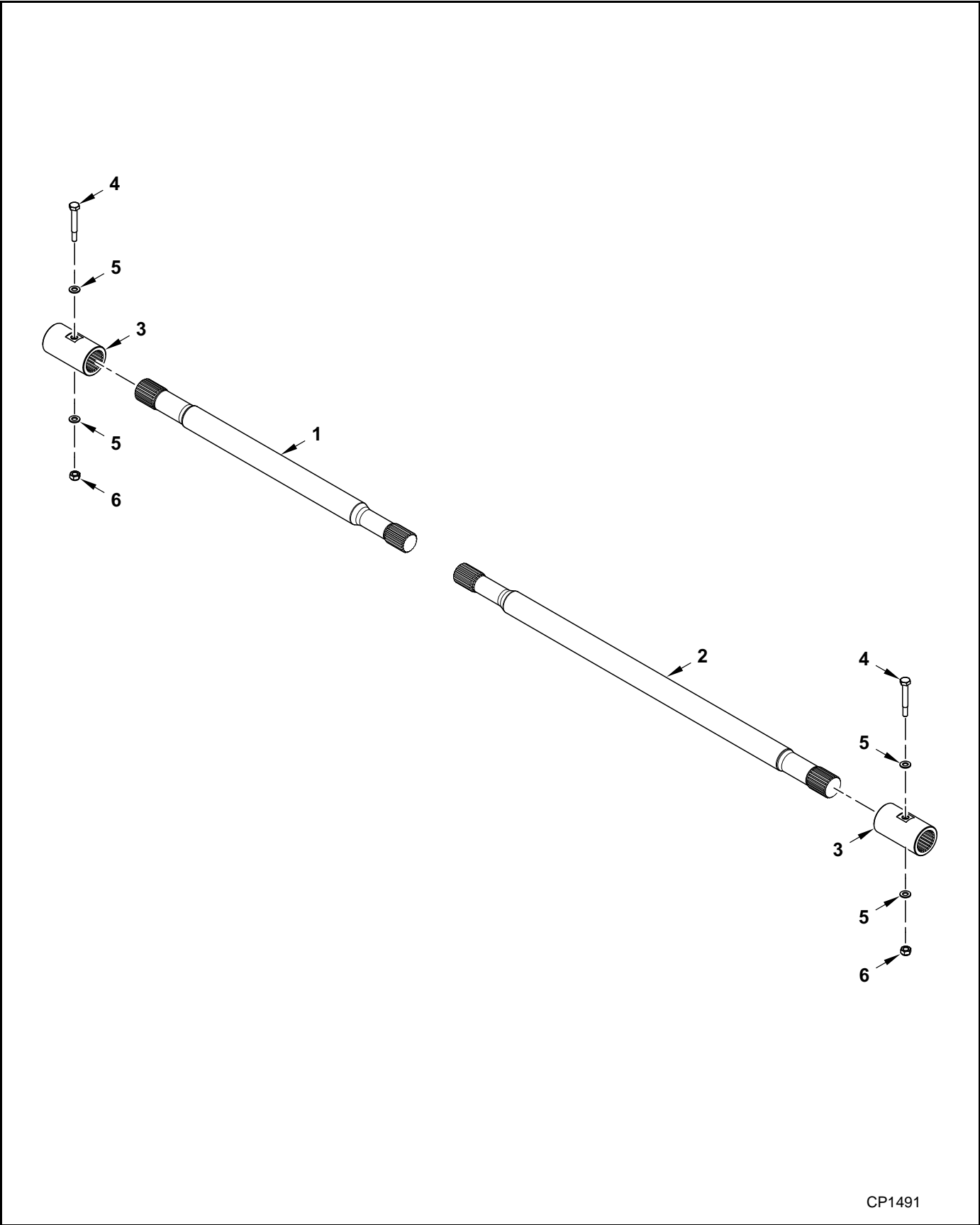
## Gearbox Assembly

Ref.	FN	Part Number	CTS Series	Qty.	Description
	1	1003193		1	GEARBOX ASSY., RH, 18T, Includes items 1 - 24
	1	1003194		1	GEARBOX ASSY., LH, 18T, Includes items 1 - 24
	2	1003304		1	GEARBOX ASSY., RH, 22T, Includes items 1 - 24
	2	1003303		1	GEARBOX ASSY., LH, 22T, Includes items 1 - 24
1		1000803		1	HOUSING ASSY., Gearbox, Includes items 2 - 11
2		1000804		1	COVER, Housing, Outboard
3		1000805		1	COVER, Housing, Inboard
4		2C-2463-100		UAR	SHIM
5		2C-2464-100		UAR	SHIM
6		2F-0291		13	BOLT, Mounting
7		2F-0303		3	O-RING
8		2F-0411		2	PIN, Dowel
9		2F-0412		4	BOLT, Mounting
10		2H-0207		2	SCREW, Hex Socket
11		2H-0224		1	PLUG
12		1000810		1	GEAR
13		1000808		1	GEAR
14	1	1003186		1	GEAR
	2	1003299		1	GEAR
		1000816		2	BRACKET ASSY., Mounting, Includes items 15 - 17
15		1000817		1	BRACKET, Mounting
16		2F-0295		3	SCREW, Mounting
17		2J-0153		3	WASHER
		1000814		1	COVER ASSY., Gearbox, Inboard, Includes items 18 - 20
18		1000815		1	COVER
19		2J-0295		6	BOLT, Mounting
20		2J-0152		1	O-RING, Cover
		1000812		1	COVER ASSY., Gearbox, Outboard, Includes items 21 - 24
21		1000813		1	COVER
22		2F-0295		6	BOLT, Mounting
23		2J-0151		1	SEAL, Multi-lip
24		2J-0152		1	O-RING

1 - Used with 18 Tooth final drive shafts.

2 - Used with 22 Tooth final drive shafts.

# Drive Shaft Assembly (400mm Axle Extensions)



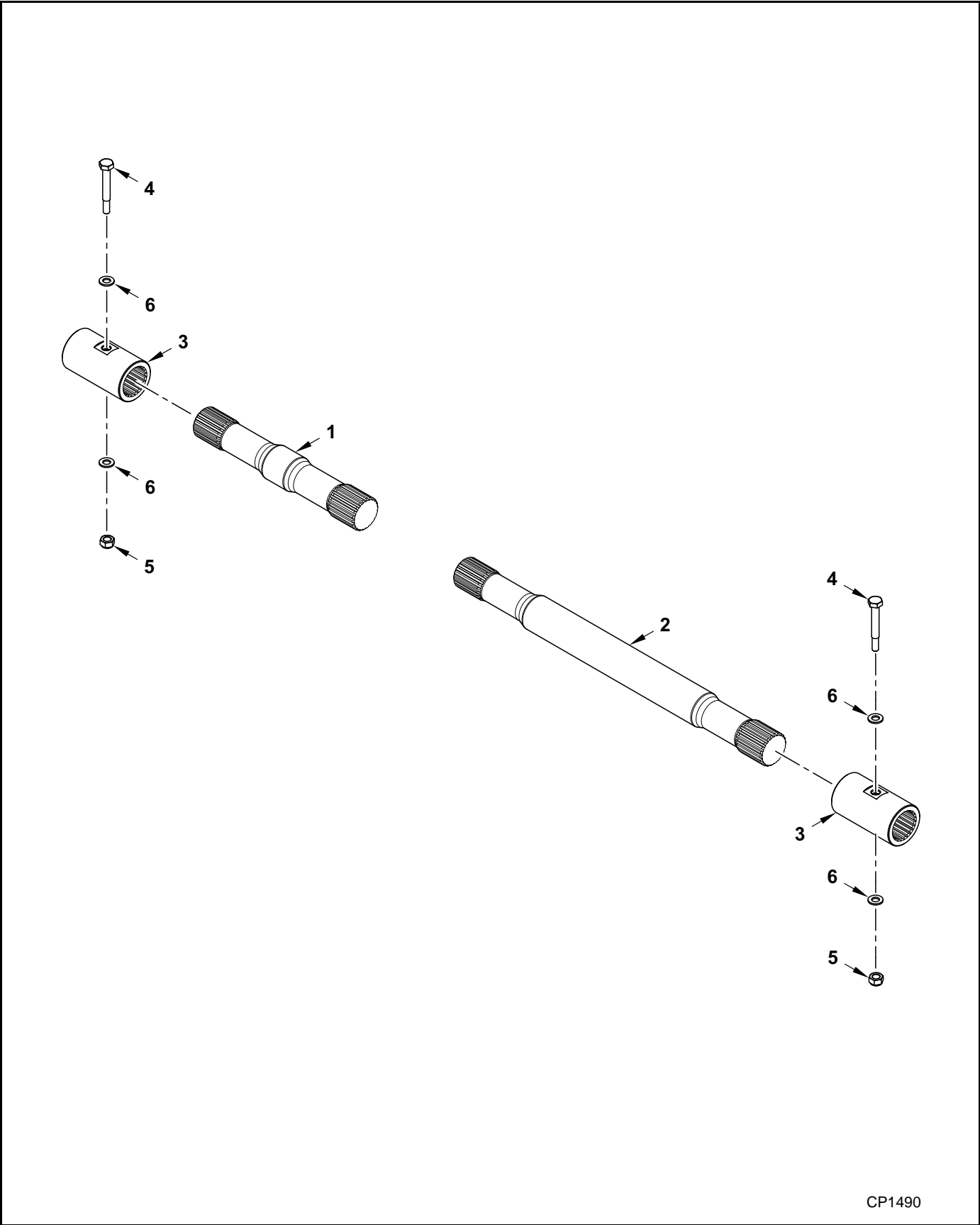
CP1491

# FITMENT KIT - SPEED MULTIPLIER, SUSPENDED SYSTEMS (JD)

## Drive Shaft Assembly (400mm Axle Extensions)

Ref.	FN	Part Number	CTS Series	Qty.	Description
		2A-1248-100		1	DRIVE SHAFT ASSY., Gearbox, 18T, Includes items 1 - 6
		2A-1247-100		1	DRIVE SHAFT ASSY., Gearbox, 22T, Includes items 1 - 6
1		2C-2771-100		1	SHAFT, Drive, 18T, LH
		2C-2769		1	SHAFT, Drive, 22T, LH
2		2C-2772-100		1	SHAFT, Drive, 18T, RH
		2C-2770		1	SHAFT, Drive, 22T, RH
3		1003305		2	COUPLER
4		2F-0451		2	BOLT, Hex
5		2F-0083		4	WASHER, M10
6		2F-0450		2	NUT, Hex
7		2F-0342		8	BOLT, Hex, Mounting

# Drive Shaft Assembly



CP1490

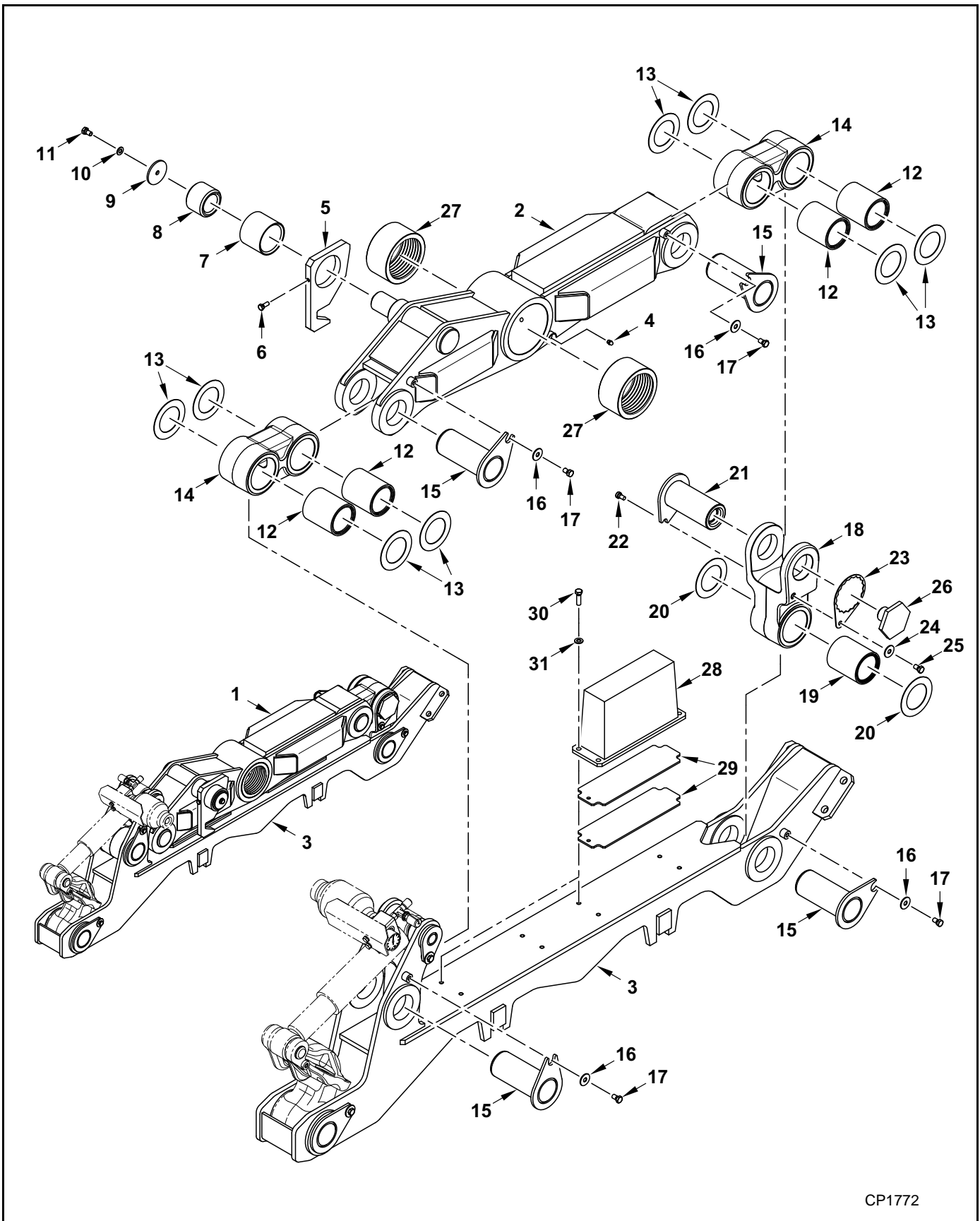


# FITMENT KIT - SPEED MULTIPLIER, SUSPENDED SYSTEMS (JD)

## Drive Shaft Assembly (Without Axle Extensions)

Ref.	FN	Part Number	CTS Series	Qty.	Description
		2A-1250-100		1	DRIVE SHAFT ASSY., Gearbox, 18T, Includes items 1 - 6
		2A-1249-100		1	DRIVE SHAFT ASSY., Gearbox, 22T, Includes items 1 - 6
1		1003301		1	SHAFT, Drive, 18T, LH, Short
		1003188		1	SHAFT, Drive, 22T, LH, Short
2		1003302		1	SHAFT, Drive, 18T, RH, Long
		1003189		1	SHAFT, Drive, 22T, RH, Long
3		1003305		2	COUPLER
4		2F-0451		2	BOLT, Hex
5		2F-0450		2	NUT, Hex
6		2F-0083		4	WASHER, M20

# Undercarriage Frame



CP1772

**HIGH SPEED COMBINE SYSTEM, MODEL 36Q17MK1JD46-264B  
S/N TRE0616003 THRU TRE0518042  
JOHN DEERE COMBINES**

**Undercarriage Frame**

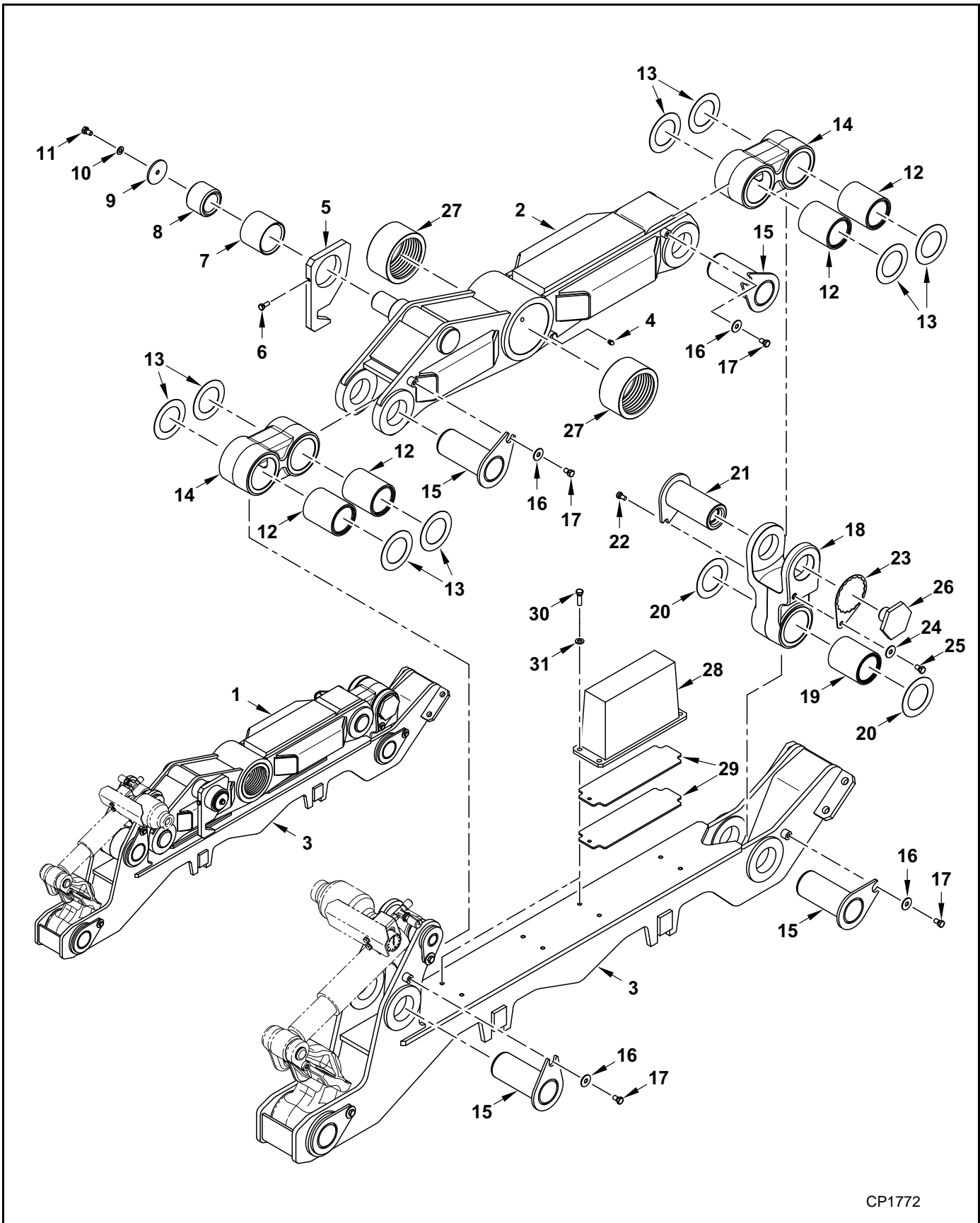
(2A-1725-100 & 2A-1726-100)

Ref.	FN	Part Number	CTS Series	Qty.	Description
		2A-1724-100	36Q17MK	1	KIT, Fitment, Undercarriage (LH & RH sides), Includes items 1 - 31
1		1002544		1	FRAME ASSY., Undercarriage, Upper, LH
2		1002543		1	FRAME ASSY., Undercarriage, Upper, RH
3		1002563		1	FRAME ASSY., Undercarriage, Lower
4		2H-0179		1	FITTING, Grease
	1	1002560		1	PLATE ASSY., Anti-rotation, Includes items 5 - 6
5		1002561		1	PLATE, Anti-rotation
6		2F-0416		1	SCREW, Set
7		1001972		1	SLEEVE
8		1001975		1	SPACER
9		1001976		1	WASHER
10		2F-0273		1	WASHER, Contact, Narrow, M12
11		2F-0278		1	BOLT, Hex, M12 x 20, Cl 8.8
		1000395		1	ROD ASSY., Upper, Includes items 12 - 14
12		1000399		2	BEARING
13		1000400		4	SHIM
14		1000396		1	ROD, Upper
15		1000451		4	PIN, Mounting
16		2F-0272		6	WASHER, M12
17		2F-0278		6	BOLT, Hex, M12 x 20, Cl 8.8
		1000397		1	ROD ASSY., Lower, Includes items 18 - 26
18		1000398		1	ROD, Lower
19		1000399		1	BEARING, Sliding
20		1000400		2	SHIM
21		1000441		1	PIN, Mounting
22		2F-0294		1	BOLT, Socketless
23		1000445		1	PIN, Lock, Shoulder
24		2F-0272		1	WASHER, M12
25		2F-0278		1	BOLT, Hex, M12 x 20, Cl 8.8

Continued on Next Page

1 - Service as assembly only. Service Tool only required for installation and removal purposes. Should not be installed during use or operation.

# Undercarriage Frame



CP1772

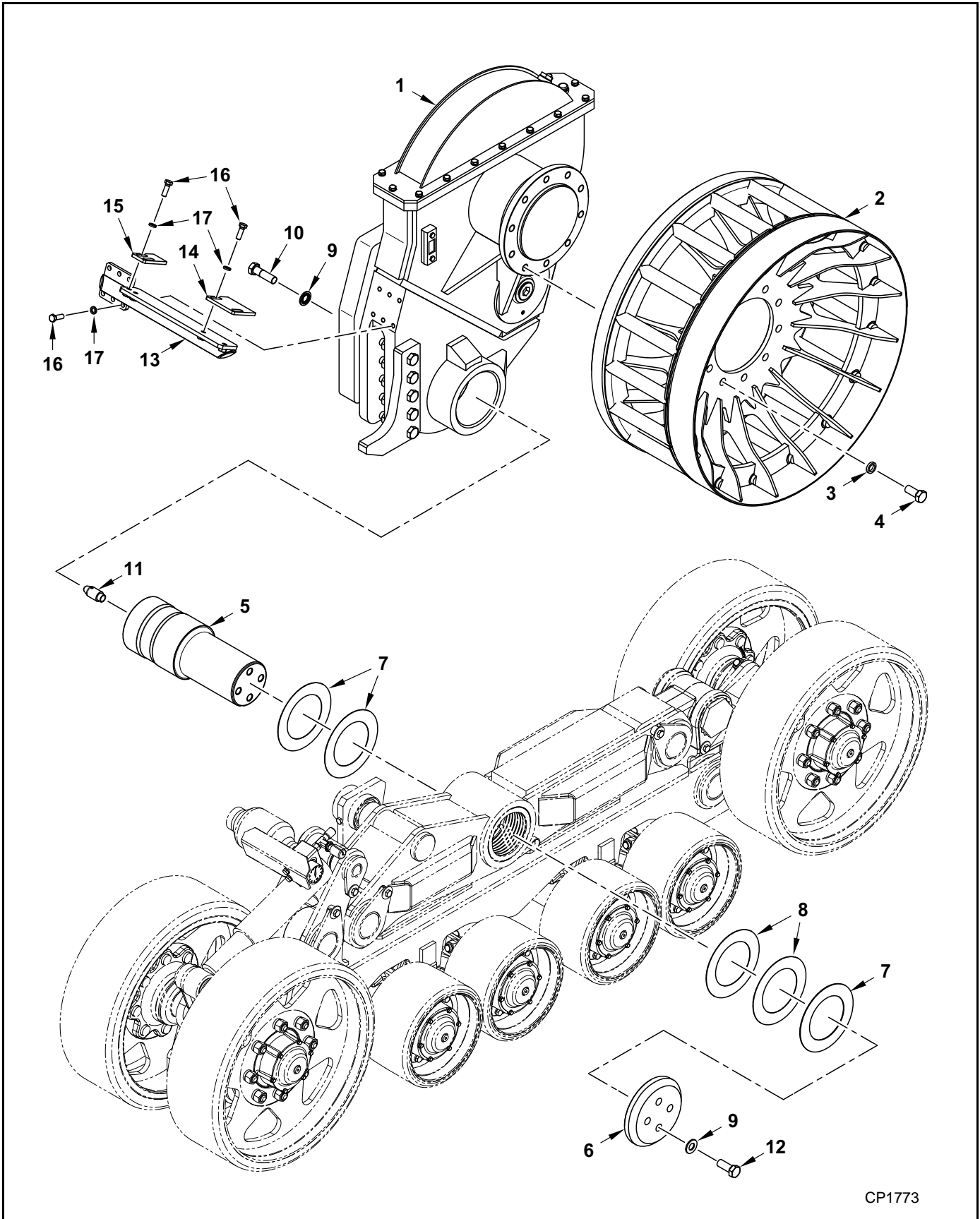
**HIGH SPEED COMBINE SYSTEM, MODEL 36Q17MK1JD46-264B  
S/N TRE0616003 THRU TRE0518042  
JOHN DEERE COMBINES**

**Undercarriage Frame**

(2A-1725-100 & 2A-1726-100)

Ref.	FN	Part Number	CTS Series	Qty.	Description
		2A-1724-100	36Q17MK	1	KIT, Fitment, Undercarriage (LH & RH sides), Includes items 1 - 31
26		1000444		1	SCREW, Thumb
27		1001563		2	BEARING
28		1002461		2	SPRING, Rubber
29		1002462		4	SHIM
30		2F-0279		8	BOLT, Hex, M12 x 40, CI 8.8
31		2F-0273		8	WASHER, Contact, Narrow, M12

# Sprocket & Gearbox



CP1773

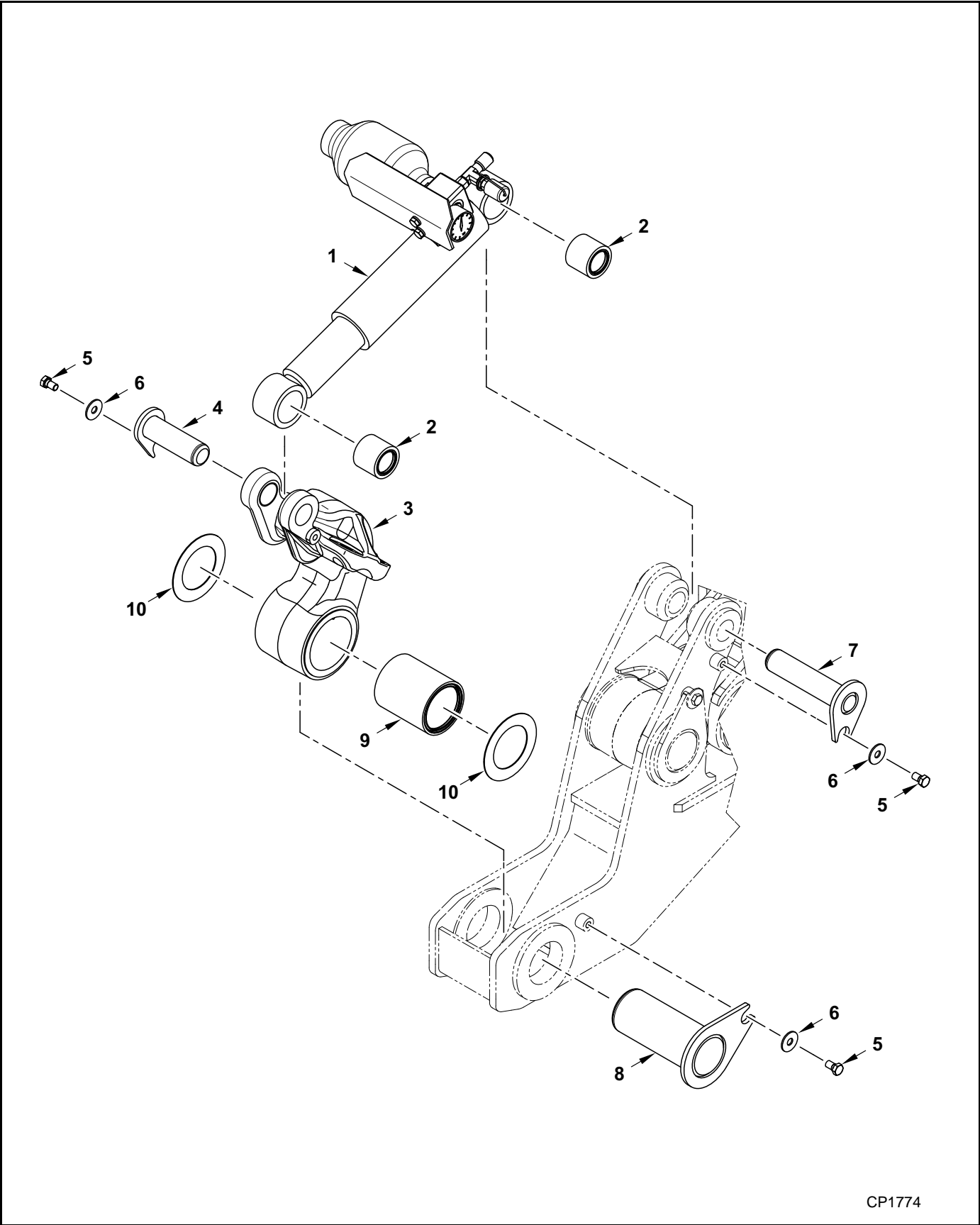
**HIGH SPEED COMBINE SYSTEM, MODEL 36Q17MK1JD46-264B**  
**S/N TRE0616003 THRU TRE0518042**  
**JOHN DEERE COMBINES**

**Sprocket & Gearbox**

(2A-1725-100 & 2A-1726-100)

Ref.	FN	Part Number	CTS Series	Qty.	Description
		2A-1724-100	36Q17MK	1	KIT, Fitment, Undercarriage (LH & RH sides), Includes items 1 - 17
1		1002502		1	GEARBOX ASSY., RH, See page 15-14
		1002503		1	GEARBOX ASSY., LH, Not Shown, See page 15-14
2		1002306		1	SPROCKET, Drive
3		2F-0325		10	WASHER, Wedge Locking, M20
4		2F-0347		10	BOLT, Hex, M20 x 45, CI 10.9
5		1002539		1	SHAFT
6		1001586		1	CAP, End
7		1001587		3	SHIM
8		2C-4202-100		2	SHIM
9		2F-0275		7	WASHER, M20
10		2F-0328		3	BOLT, Hex
11		1002540		1	PIN
12		2F-0288		4	BOLT, Hex
13		1002575		1	BAR, Scraper, RH
		1002576		1	BAR, Scraper, LH, Not Shown
14		1002579		1	PLATE, Scraper, Large
15		1002580		1	PLATE, Scraper, Small
16		2F-0282		10	BOLT, Hex, M12 x 35, CI 10.9
17		2F-0326		10	WASHER, Wedge Locking, M12

Track Tensioning - Cylinder & Linkage



CP1774



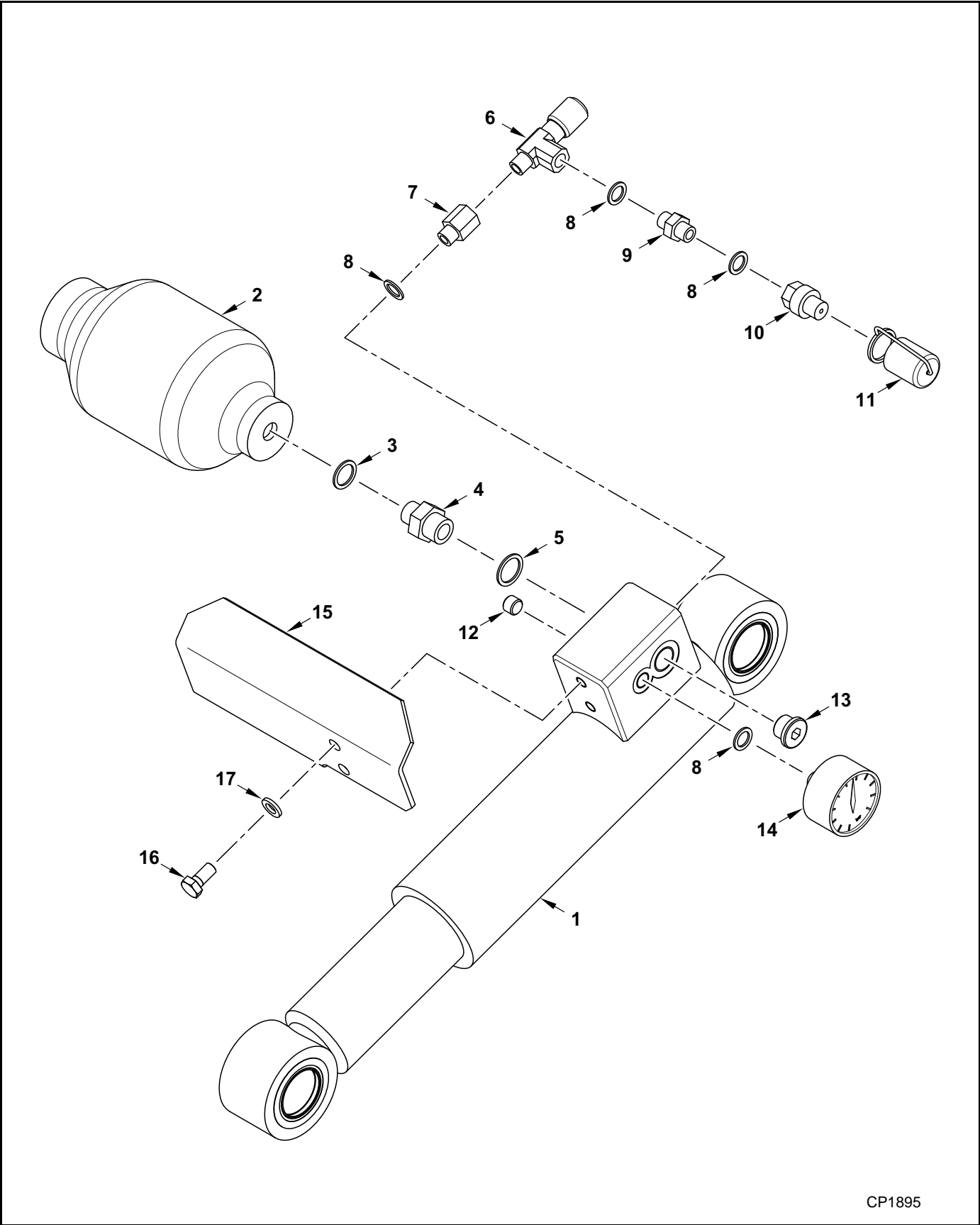
**HIGH SPEED COMBINE SYSTEM, MODEL 36Q17MK1JD46-264B  
S/N TRE0616003 THRU TRE0518042  
JOHN DEERE COMBINES**

**Track Tensioning - Cylinder & Linkage**

(2A-1725-100 & 2A-1726-100)

Ref.	FN	Part Number	CTS Series	Qty.	Description
		1009036	36Q17MK	1	KIT, Fitment, Undercarriage (LH & RH sides), Includes items 1 - 10
1		1002474		1	CYLINDER ASSY., Track Tension, RH, See page 15-10
		1002475		1	CYLINDER ASSY., Track Tension, LH, Not Shown, See page 15-10
2		1000462		2	BEARING
3		2C-2810-100		1	ARM, Tensioner
4		1001413		1	PIN, Piston Tensioner
5		2F-0278		3	BOLT, Hex, M12 x 20, Cl 8.8
6		2F-0272		3	WASHER, M12
7		1000490		1	PIN, Cylinder Tension
8		1000451		1	PIN, Mounting, Tension Arm
9		1000399		1	BEARING, Sliding
10		1000400		2	SHIM

Track Tensioning - Manifold & Accumulator



CP1895

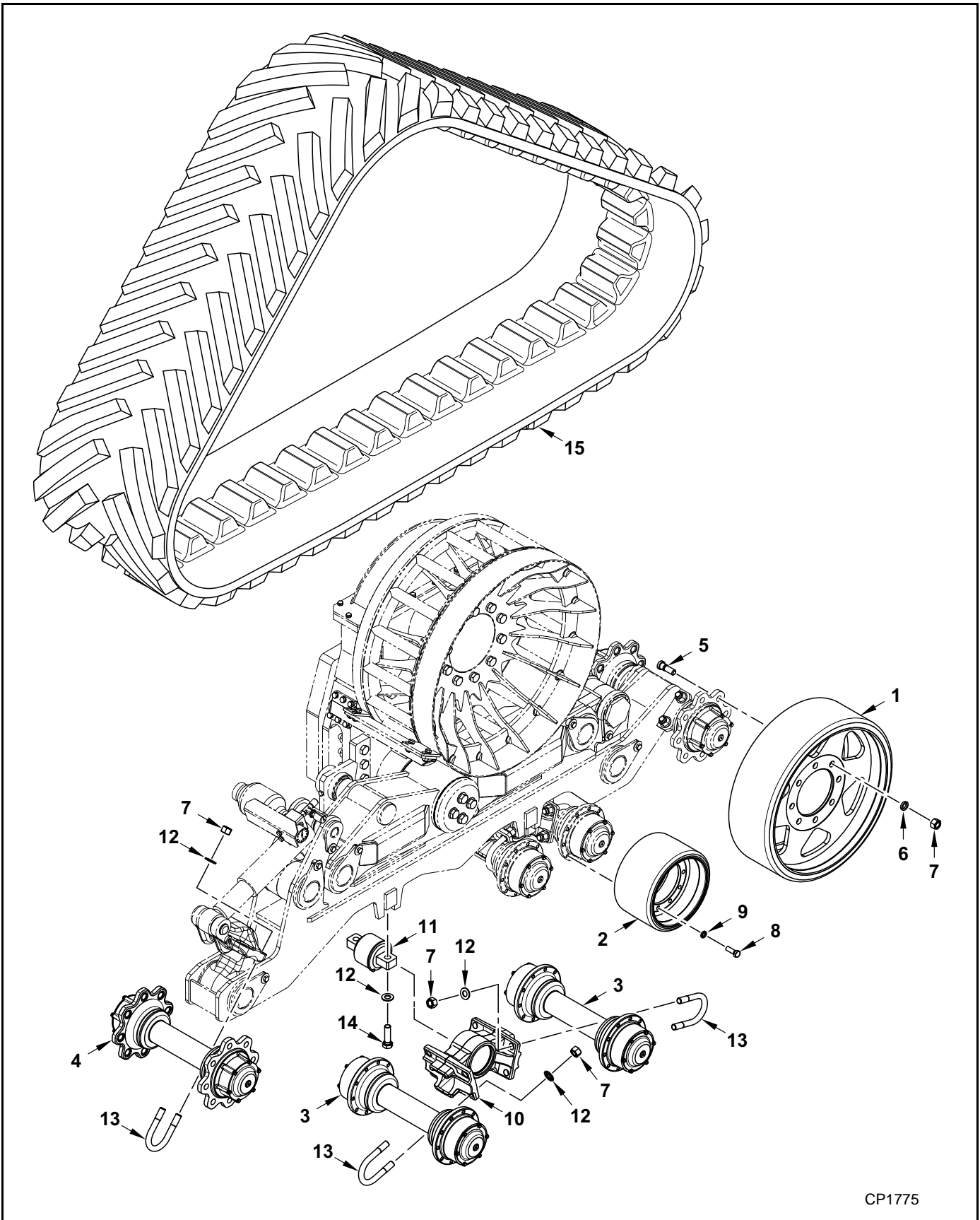
**HIGH SPEED COMBINE SYSTEM, MODEL 36Q17MK1JD46-264B  
S/N TRE0616003 THRU TRE518042  
JOHN DEERE COMBINES**

**Track Tensioning - Manifold & Accumulator**

(2A-1725-100 & 2A-1726-100)

Ref.	FN	Part Number	CTS Series	Qty.	Description
		1002474		1	CYLINDER ASSY., Track Tension, RH, Includes items 1 -17
		1002475		1	CYLINDER ASSY., Track Tension, LH, Not Shown, Includes items 1 -17
1		1002476		1	CYLINDER, Track Tension
2		2H-0194		1	ACCUMULATOR, Nitrogen
3		2F-0306		1	WASHER, M18
4		2H-0184		1	FITTING
5		2F-0303		1	WASHER, G1/2"
6		2H-0188		1	VALVE
7		2H-0182		1	FITTING
8		2F-0304		4	WASHER, G1/4"
9		2H-0183		1	FITTING, G1/4"
10		2H-0191		1	FITTING
11		2H-0192		1	CAP
12		2H-0174		1	PLUG, G1/4"
13		2H-0173		1	PLUG, 1/2" BSP
14		2H-0190		1	GUAGE, Pressure
15		1002479		1	SHEILD, Protective, RH
		1002480		1	SHEILD, Protective, LH, Not Shown
16		2F-0344		2	BOLT, Hex
17		2F-0333		2	WASHER

# Track, Idler & Roller Wheel



CP1775

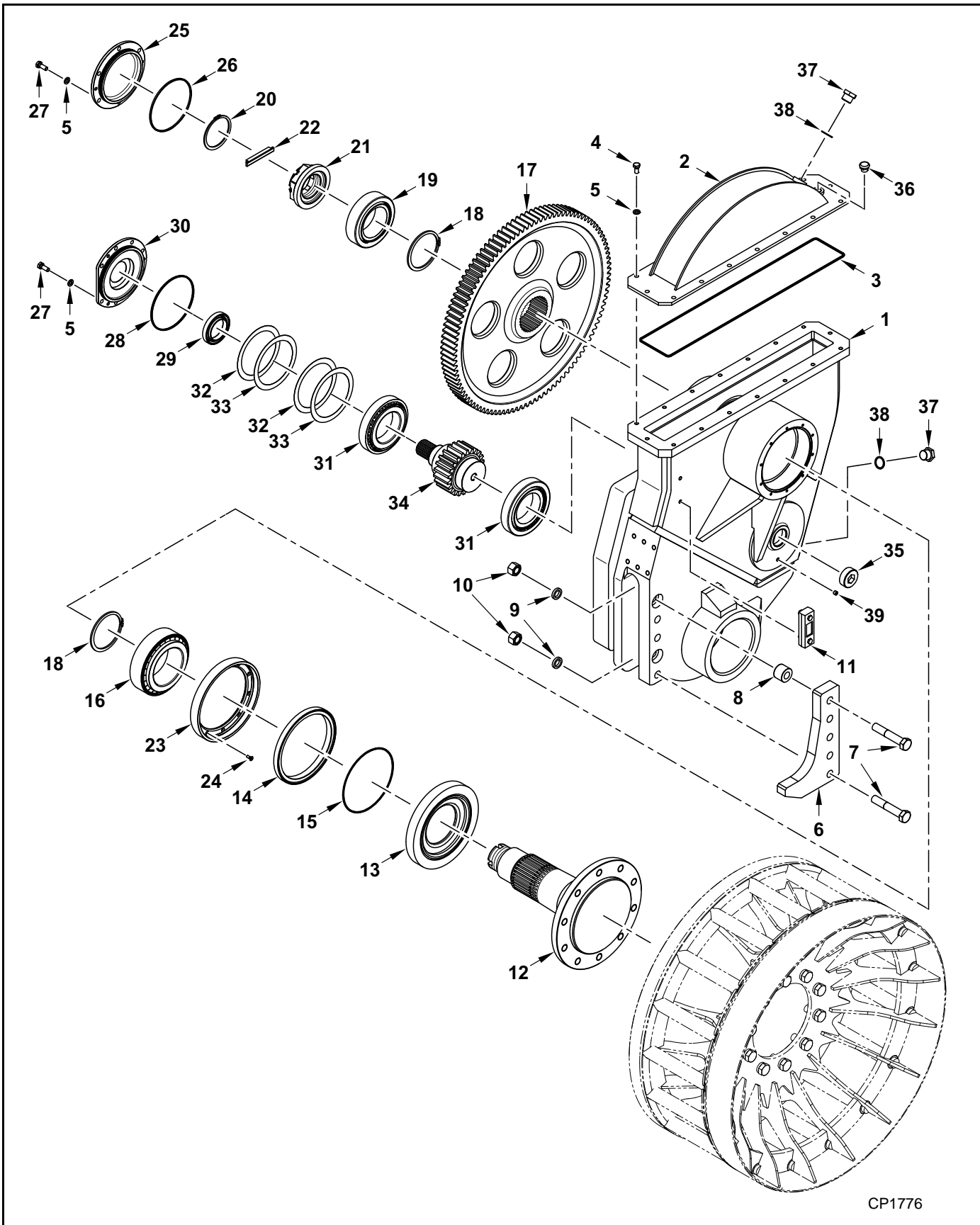
**HIGH SPEED COMBINE SYSTEM, MODEL 36Q17MK1JD46-264B  
S/N TRE0616003 THRU TRE0518042  
JOHN DEERE COMBINES**

**Track, Idler & Roller Wheel**

(2A-1725-100 & 2A-1726-100)

Ref.	FN	Part Number	CTS Series	Qty.	Description
		2A-1724-100		1	KIT, Fitment, Undercarriage (LH & RH sides), Includes items 1 - 15
1		5W-0351		4	WHEEL, Idler, 36" Track
2		1003802		8	WHEEL, Roller, 36" Track
3		2A-1706-101		4	AXLE ASSY., Roller Wheel, 36" Track, See page 15-20
4		2A-1323-101		2	AXLE ASSY., Idler Wheel, 36" Track, See page 15-18
5		2F-0298		32	BOLT, Hex, M20 x 60, CI 10.9
6		2F-0325		32	WASHER, Contract, M20
7		2F-0296		48	NUT, Hex, M20
8		2F-0282		80	BOLT, Hex, M12 x 35, CI 10.9
9		2F-0326		80	WASHER, Wedge Locking, M12
		1000394COM PL		2	ARM ASSY., Pivoting, Includes items 10 & 11
10		1000394		2	ARM, Pivoting
11		1000438		2	JOINT, Rubber
12		2F-0275		24	WASHER, Flat, M20
13		1000119		20	U-BOLT
14		2F-0158		4	BOLT, Hex, M20 x 70, CI 10.9
15		B36BM02873		1	TRACK, Rubber, 36" x 264"

# Gearbox Assembly



CP1776

**HIGH SPEED COMBINE SYSTEM, MODEL 36Q17MK1JD46-264B  
S/N TRE0616003 THRU TRE0518043  
JOHN DEERE COMBINES**

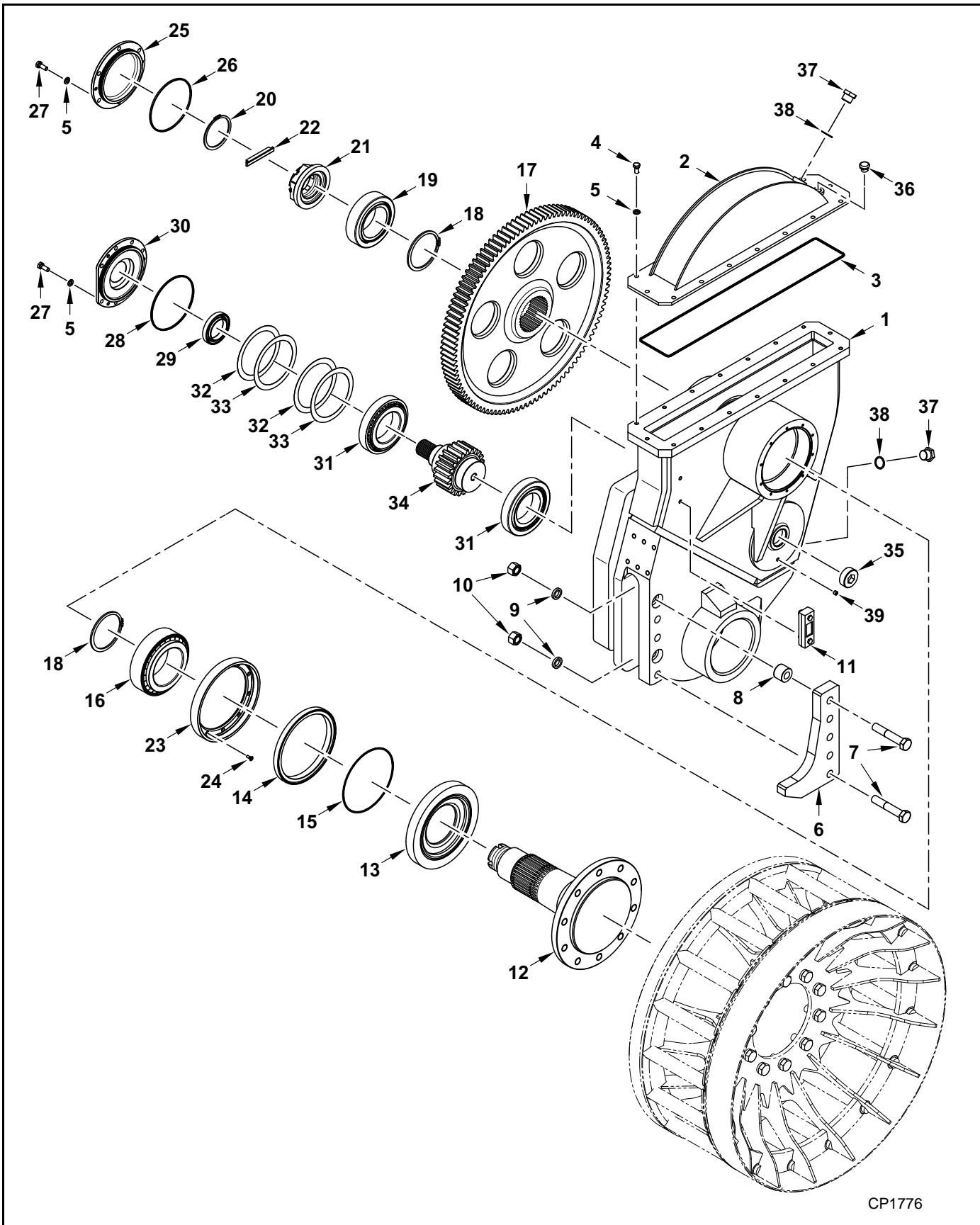
**Gearbox Assembly**

(2A-1725-100 & 2A-1726-100)

Ref.	FN	Part Number	CTS Series	Qty.	Description
		2A-1724-100		1	KIT, Fitment, Undercarriage (LH & RH sides), Includes items 1 -39
		1002502		1	GEARBOX ASSY., RH, Includes items 1 - 39
		1002503		1	GEARBOX ASSY., LH, Not Shown, Includes items 1 - 39
1		1002504		1	HOUSING, Gearbox, RH
		1002505		1	HOUSING, Gearbox, LH, Not Shown
2		1002529		1	COVER, Gearbox
3		1002533		1	GASKET
4		2F-0344		18	BOLT, Hex
5		2F-0333		32	WASHER
6		1002527		1	BRACKET
7		2F-0276		5	BOLT, Hex, M20 x 110, CI 10.9
8		2C-4204-100		2	SPACER
9		2F-0325		5	WASHER, Wedge Locking, M20
10		2F-0296		5	NUT, Hex, M20, CI 10
11		2H-0225		1	BLOCK
12		1001606		1	SPINDLE, Drive Wheel
13		1001502		1	BEARING, Shoulder
14		2J-0149		1	SEAL
15		2J-0148		1	O-RING
16		2B-0175		1	BEARING, Roller
17		1002535		1	GEAR
18		2F-0357		2	RING, Snap
19		2B-0176		1	BEARING, Roller
20		2F-0300		1	RING, Snap
21		1000113		1	NUT, Castle
22		1000114		1	KEY
23		1001504		1	RING, Retainer
24		2F-0292		10	SCREW, Socketless
25		1001512		1	COVER, Gearbox
26		2J-0147		1	O-RING
27		2F-0416		14	BOLT, Hex

Continued on the Next Page

# Gearbox Assembly



CP1776



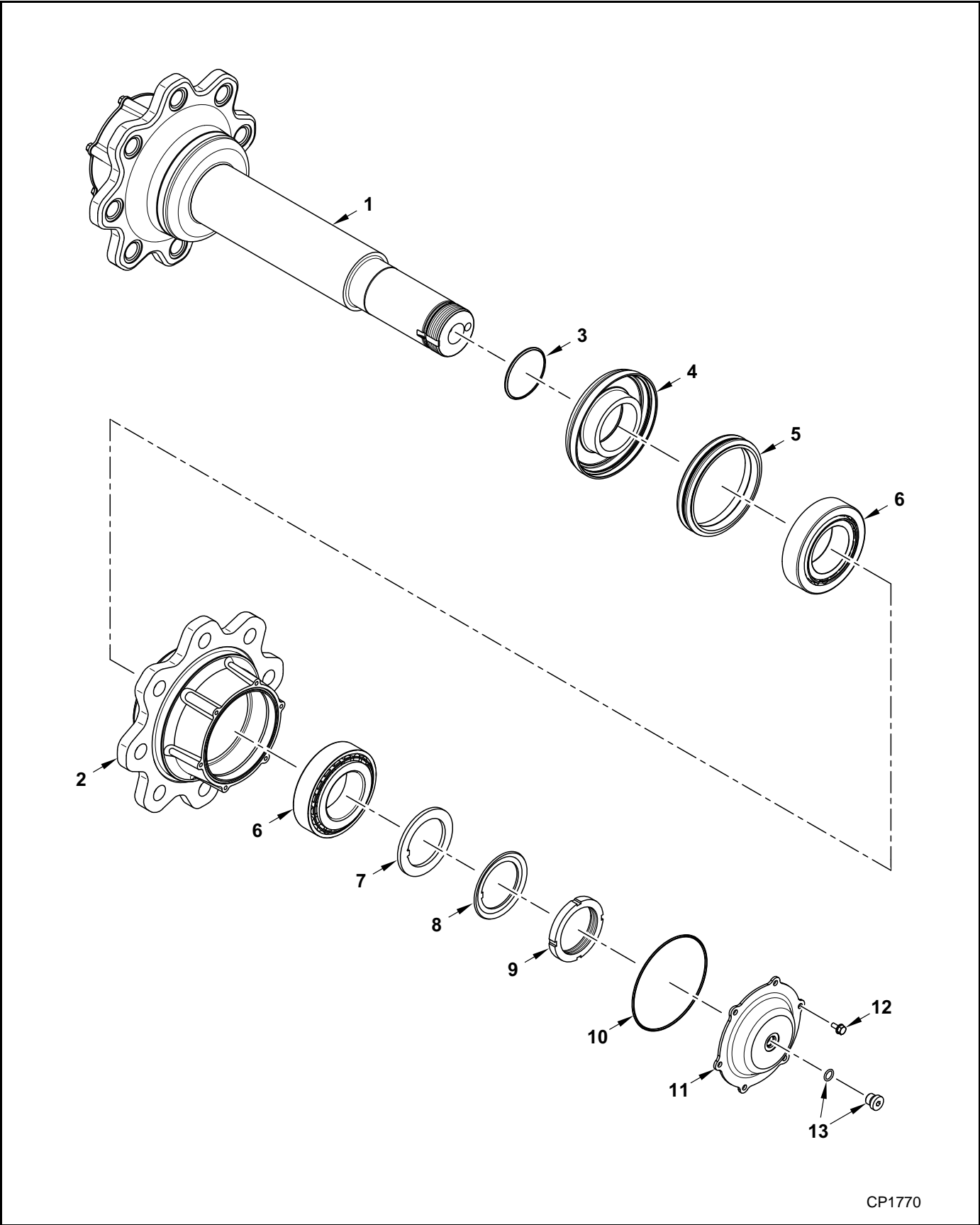
**HIGH SPEED COMBINE SYSTEM, MODEL 36Q17MK1JD46-264B**  
**S/N TRE0616003 THRU TRE0518042**  
**JOHN DEERE COMBINES**

**Gearbox Assembly**

(2A-1725-100 & 2A-1726-100)

Ref.	FN	Part Number	CTS Series	Qty.	Description
		1002502		1	GEARBOX ASSY., RH, Includes items 1 -39
		1002503		1	GEARBOX ASSY., LH, Not Shown, Includes items 1 -39
28		2J-0146		1	O-RING
29		2J-0150		1	SEAL, Lip
30		1001670		1	RING, Retainer
31		2B-0174		2	BEARING, Roller
32		2C-2466-100		2	SHIM
33		2C-2501-100		2	SHIM
34		1002537		1	GEAR, Reduction
35		2H-0240		1	SCREW, Socketless
36		2H-0189		1	BREATHER, 3/8" BSP
37		2H-0213		1	PLUG
38		2H-0286		2	O-RING
39		2H-0212		1	GEAR, Reduction

Axle Assembly, Idler Wheel



CP1770

**HIGH SPEED COMBINE SYSTEM, MODEL 36Q17MK1JD46-264B  
S/N TRE0616003 THRU TRE0518042  
JOHN DEERE COMBINES**

**Axle Assembly, Idler Wheel**

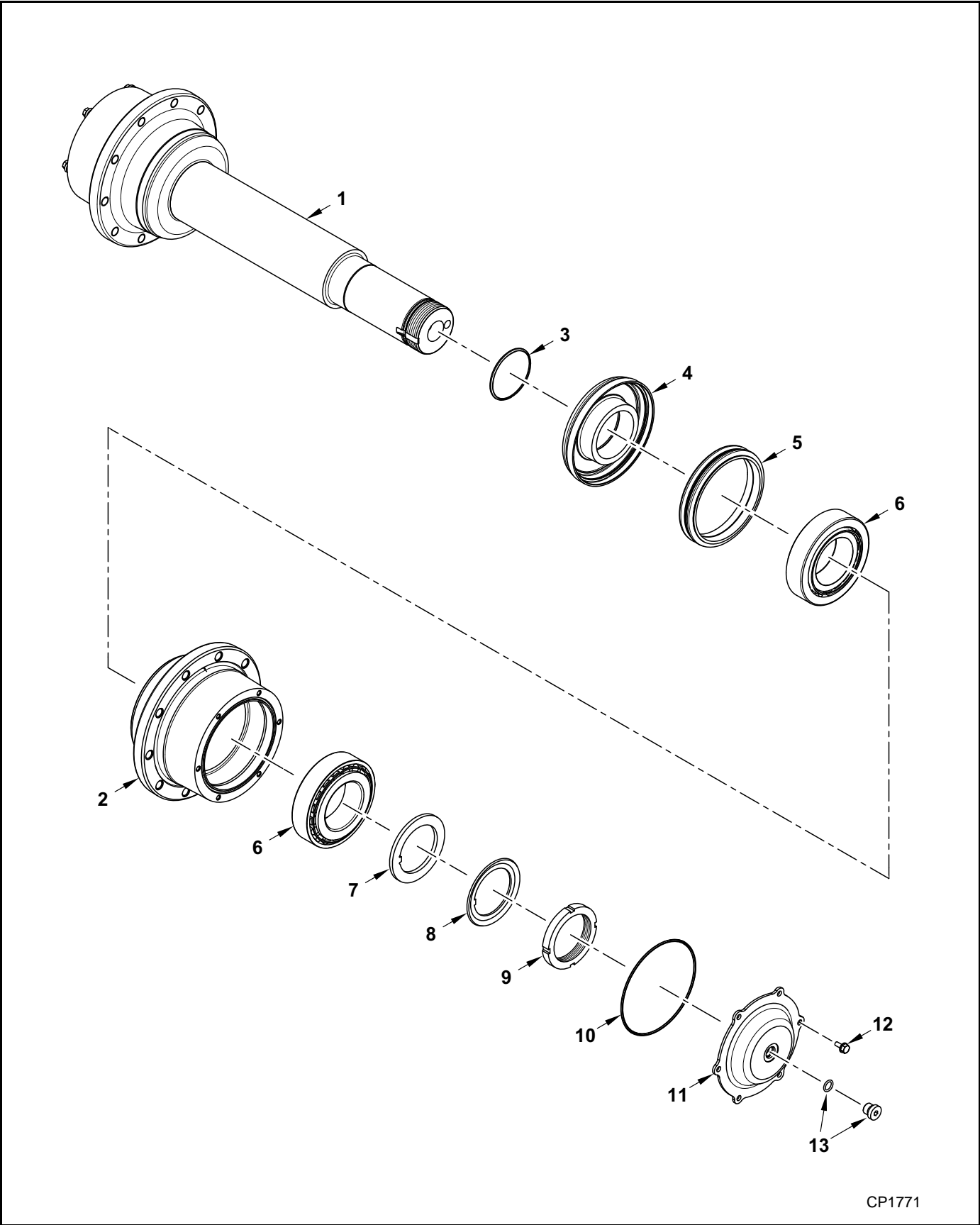
(2A-1725-100 & 2A-1726-100)

Ref.	FN	Part Number	CTS Series	Qty.	Description
	1	2A-1323-101		1	AXLE ASSY., Idler Wheel, 36" Track, Includes items 1 - 13
1	2	2C-2955-100		1	SHAFT, Axle, Idler
2		2C-2825-100		2	HUB
3	2	2J-0122		2	O-RING, 2.50 x 65
4	2	1000122		2	RING, Axle Collar
5		2J-0129		2	SEAL, Mechanical
6		2B-0171		4	BEARING, Roller Taper
7		2C-2923-100		2	WASHER, Locking Tab
8		2F-0302		2	WASHER, Lock
9		2F-0301		2	NUT, Lock
10		2J-0123		2	O-RING, 2.62 x 126
11		2C-2956-100		2	CAP, Hub
12		2F-0295		12	BOLT, Hex Flg., M6
13		2H-0243		2	PLUG, Socketless

1 - Complete axle assemblies are available from Camso service.

2 - Serviced by 2A-1323-101.

Axle Assembly, Roller Wheel



CP1771

**HIGH SPEED COMBINE SYSTEM, MODEL 36Q17MK1JD46-264B  
S/N TRE0616003 THRU TRE0518042  
JOHN DEERE COMBINES**

**Axle Assembly, Roller Wheel**

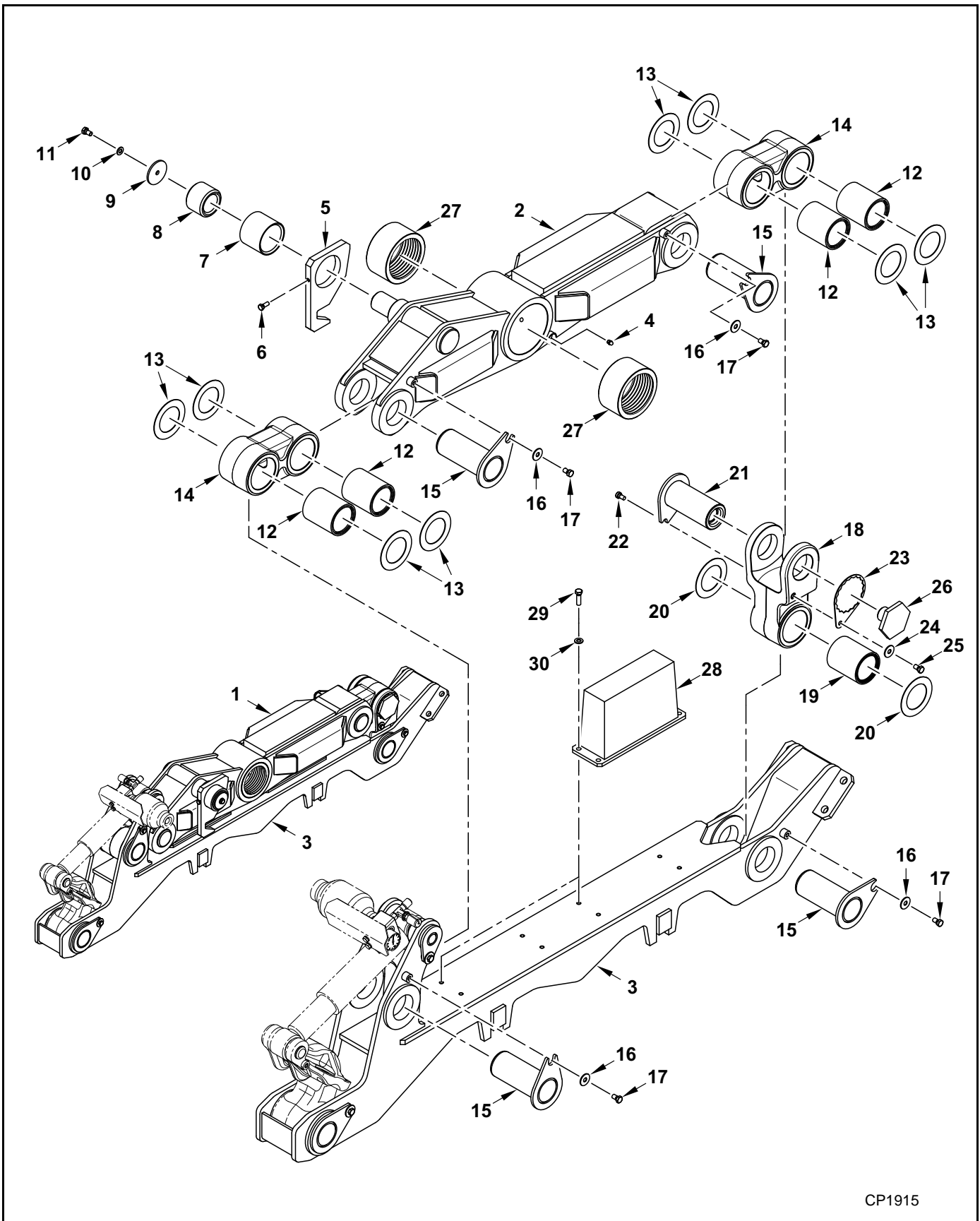
(2A-1725-100 & 2A-1726-100)

Ref.	FN	Part Number	CTS Series	Qty.	Description
	1	2A-1706-101		1	AXLE ASSY., Roller Wheel, 36" Track, Includes items 1 - 13
1		2C-2955-100		1	SHAFT, Axle, Roller
2		2C-2952-101		2	HUB
3	2	2J-0122		2	O-RING, 2.50 x 65
4	2	1000122		2	RING, Axle Collar
5		2J-0129		2	SEAL, Mechanical
6		2B-0171		4	BEARING, Roller Taper
7		2C-2923-100		2	WASHER, Locking Tab
8		2F-0302		2	WASHER, Lock
9		2F-0301		2	NUT, Lock
10		2J-0123		2	O-RING, 2.62 x 126
11		2C-2956-101		2	CAP, Hub
12		2H-0243		2	PLUG, Socketless, M14
13		2F-0295		12	BOLT, Hex Flg., M6

1 - Complete axle assemblies are available from Camso service.

2 - Serviced by 2A-1706-101.

# Undercarriage Frame



CP1915

**HIGH SPEED COMBINE SYSTEM, MODEL 36Q17MK1JD46-264B  
S/N TRE0518043 AND LATER  
JOHN DEERE COMBINES**

**Undercarriage Frame**

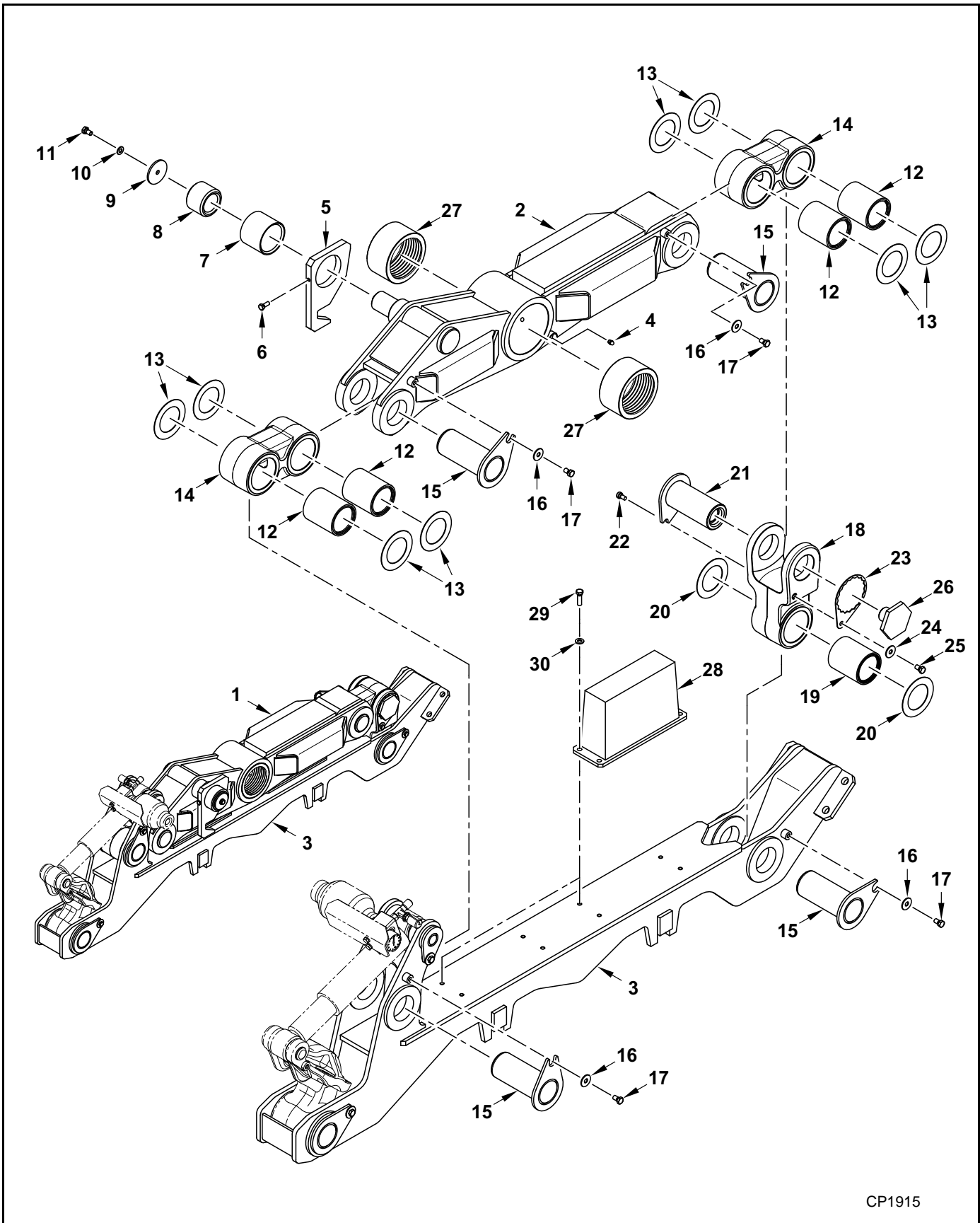
(2A-1725-100 & 2A-1726-100)

Ref.	FN	Part Number	CTS Series	Qty.	Description
		2A-1724-100	36Q17MK	1	KIT, Fitment, Undercarriage (LH & RH sides), Includes items 1 - 31
1		1002544		1	FRAME ASSY., Undercarriage, Upper, LH
2		1002543		1	FRAME ASSY., Undercarriage, Upper, RH
3		1002563		1	FRAME ASSY., Undercarriage, Lower
4		2H-0179		1	FITTING, Grease
	1	1002560		1	PLATE ASSY., Anti-rotation, Includes items 5 - 6
5		1002561		1	PLATE, Anti-rotation
6		2F-0416		1	SCREW, Set
7		1001972		1	SLEEVE
8		1001975		1	SPACER
9		1001976		1	WASHER
10		2F-0273		1	WASHER, Contact, Narrow, M12
11		2F-0278		1	BOLT, Hex, M12 x 20, CI 8.8
		1000395		1	ROD ASSY., Upper, Includes items 12 - 14
12		1000399		2	BEARING
13		1000400		4	SHIM
14		1000396		1	ROD, Upper
15		100451		4	PIN, Mounting
16		2F-0272		6	WASHER, M12
17		2F-0278		6	BOLT, Hex, M12 x 20, CI 8.8
		1000397		1	ROD ASSY., Lower, Includes items 18 - 26
18		1000398		1	ROD, Lower
19		1000399		1	BEARING, Sliding
20		1000400		2	SHIM
21		1000441		1	PIN, Mounting
22		2F-0294		1	BOLT, Socketless
23		1000445		1	PIN, Lock, Shoulder
24		2F-0272		1	WASHER, M12
25		2F-0278		1	BOLT, Hex, M12 x 20, CI 8.8

Continued on Next Page

1 - Service as assembly only. Service Tool only required for installation and removal purposes. Should not be installed during use or operation.

# Undercarriage Frame



CP1915



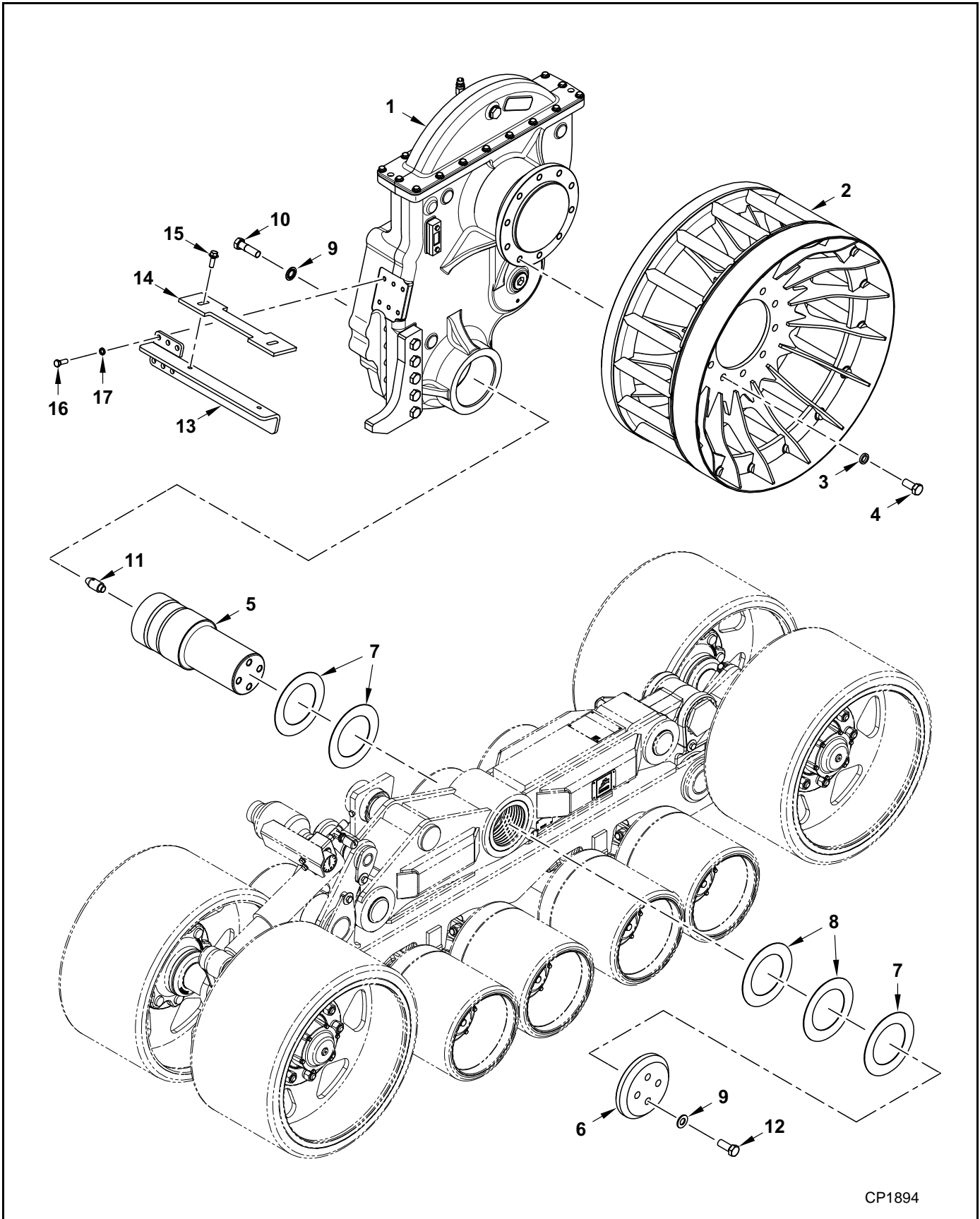
**HIGH SPEED COMBINE SYSTEM, MODEL 36Q17MK1JD46-264B  
S/N TRE0518043 AND LATER  
JOHN DEERE COMBINES**

**Undercarriage Frame**

(2A-1725-100 & 2A-1726-100)

Ref.	FN	Part Number	CTS Series	Qty.	Description
		2A-1724-100	36Q17MK	1	KIT, Fitment, Undercarriage (LH & RH sides), Includes items 1 - 31
26		1000444		1	SCREW, Thumb
27		1001563		2	BEARING
28		1002461		2	SPRING, Rubber
29		2F-0279		8	BOLT, Hex, M12 x 40, Cl 8.8
30		2F-0273		8	WASHER, Contact, Narrow, M12

# Sprocket & Gearbox



CP1894

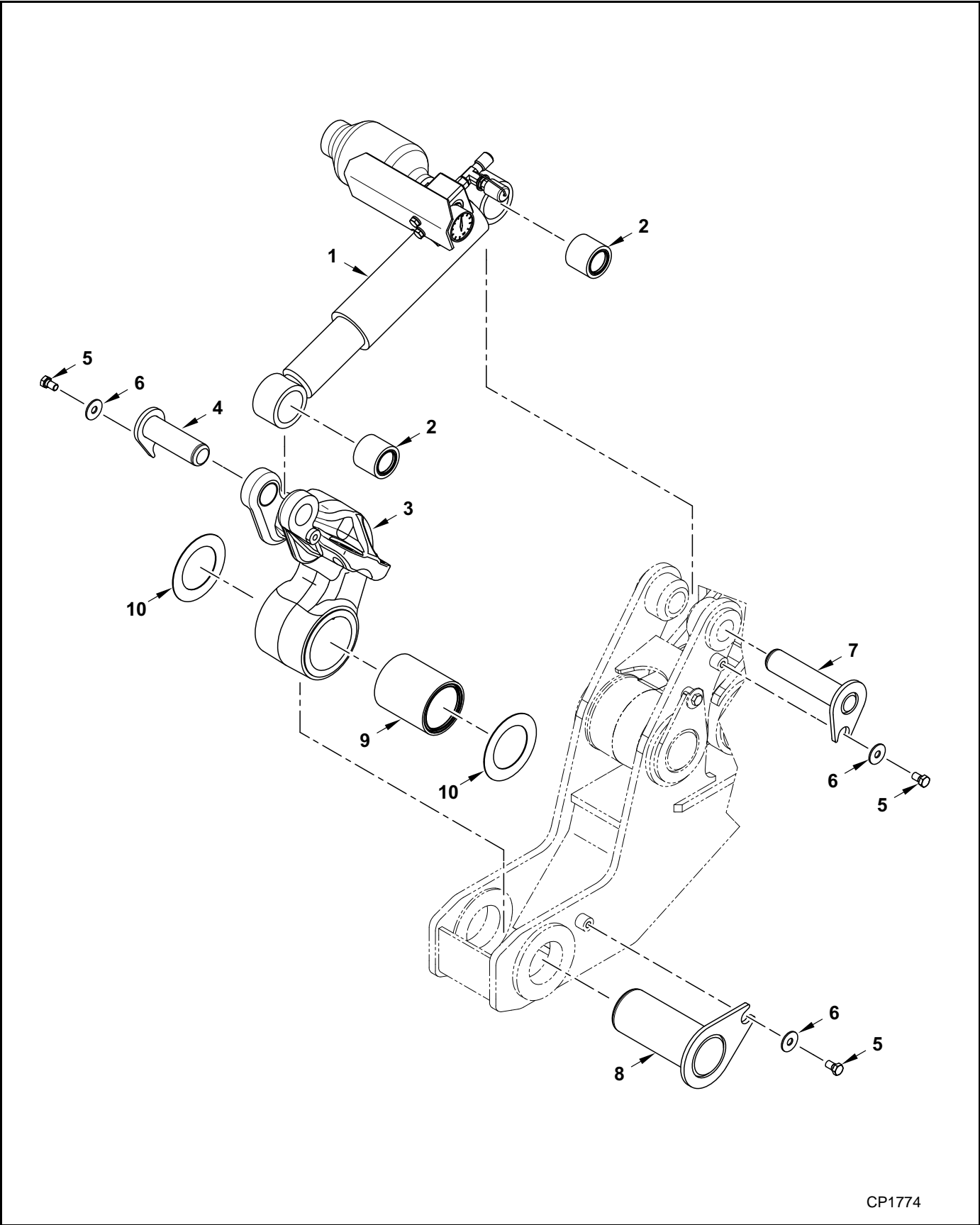
**HIGH SPEED COMBINE SYSTEM, MODEL 36Q17MK1JD46-264B  
S/N TRE0518043 AND LATER  
JOHN DEERE COMBINES**

**Sprocket & Gearbox**

(2A-1725-100 & 2A-1726-100)

Ref.	FN	Part Number	CTS Series	Qty.	Description
		2A-1724-100	36Q17MK	1	KIT, Fitment, Undercarriage (LH & RH sides), Includes items 1 - 17
1		2A-2037-100		1	GEARBOX ASSY., RH, See page 16-14
		2A-2039-100		1	GEARBOX ASSY., LH, Not Shown, See page 16-14
2		1002306		1	SPROCKET, Drive
3		2F-0325		10	WASHER, Wedge Locking, M20
4		2F-0347		10	BOLT, Hex, M20 x 45, CI 10.9
5		1002539		1	SHAFT
6		1001586		1	CAP, End
7		1001587		3	SHIM
8		2C-4202-100		2	SHIM
9		2F-0275		7	WASHER, M20
10		2F-0328		3	BOLT, Hex
11		1002540		1	PIN
12		2F-0288		4	BOLT, Hex
13		2S-1650		1	BAR, Scraper, RH
		2S-1710		1	BAR, Scraper, LH, Not Shown
14		2S-4841-100		1	PLATE, Scraper, Large
15		2F-0035		2	BOLT, Hex Flg., M12 x 35, CI 10.9
16		2F-0046		6	BOLT, Hex, M12 x 35, CI 10.9
17		2F-0326		6	WASHER, Wedge Locking, M12

Track Tensioning - Cylinder & Linkage



CP1774

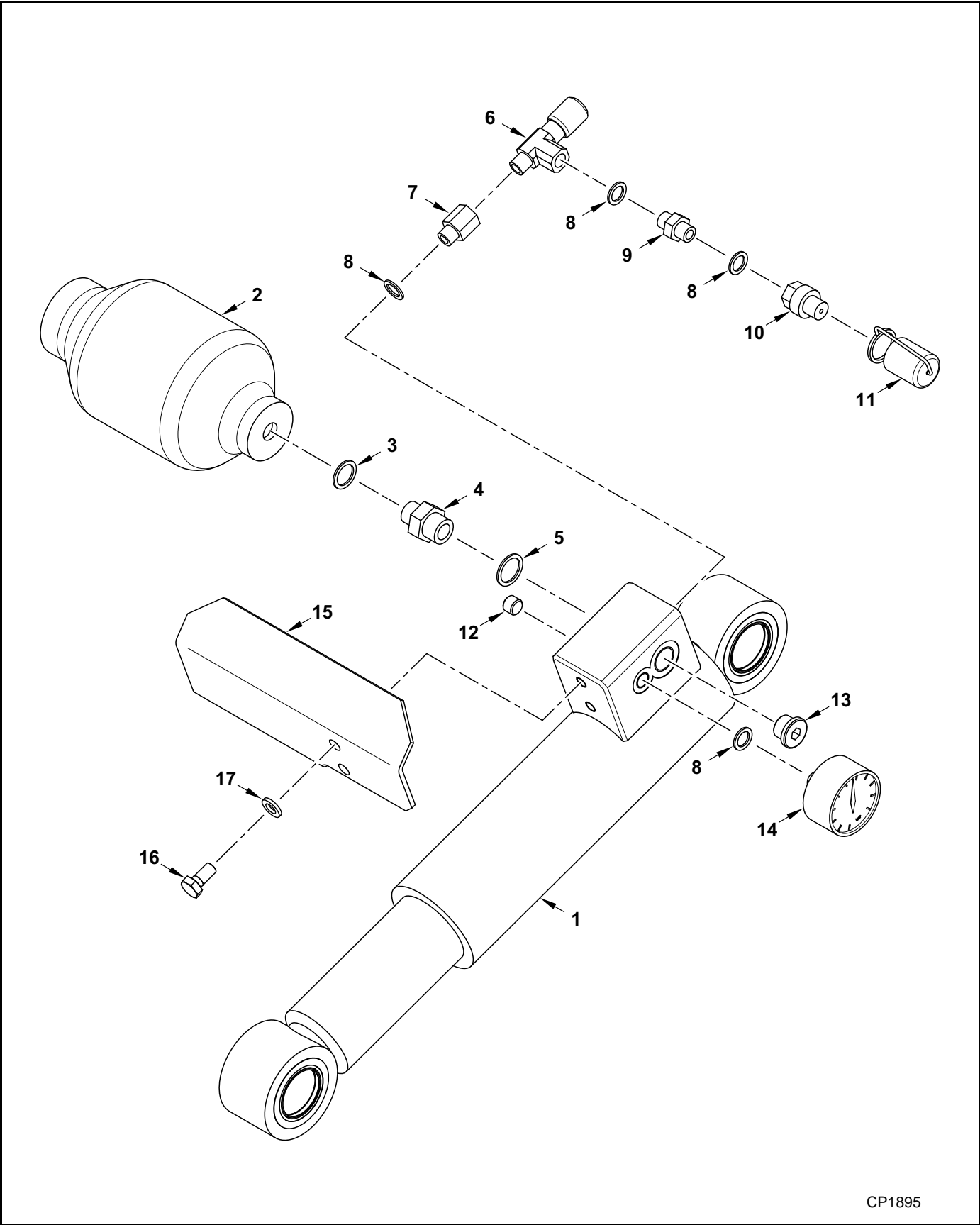
**HIGH SPEED COMBINE SYSTEM, MODEL 36Q17MK1JD46-264B  
S/N TRE0518043 AND LATER  
JOHN DEERE COMBINES**

**Track Tensioning - Cylinder & Linkage**

(2A-1725-100 & 2A-1726-100)

Ref.	FN	Part Number	CTS Series	Qty.	Description
		1009030	26Q17MK	1	KIT, Fitment, Undercarriage (LH & RH sides), Includes items 1 - 10
		1009033	30Q17MK	1	KIT, Fitment, Undercarriage (LH & RH sides), Includes items 1 - 10
		1009036	36Q17MK	1	KIT, Fitment, Undercarriage (LH & RH sides), Includes items 1 - 10
1		1002474		1	CYLINDER ASSY., Track Tension, RH, See page 16-10
		1002475		1	CYLINDER ASSY., Track Tension, LH, Not Shown, See page 16-10
2		1000462		2	BEARING
3		2C-2810-100		1	ARM, Tensioner
4		1001413		1	PIN, Piston Tensioner
5		2F-0278		3	BOLT, Hex, M12 x 20, Cl 8.8
6		2F-0272		3	WASHER, M12
7		1000490		1	PIN, Cylinder Tension
8		1000451		1	PIN, Mounting, Tension Arm
9		1000399		1	BEARING, Sliding
10		1000400		2	SHIM

Track Tensioning - Manifold & Accumulator



CP1895

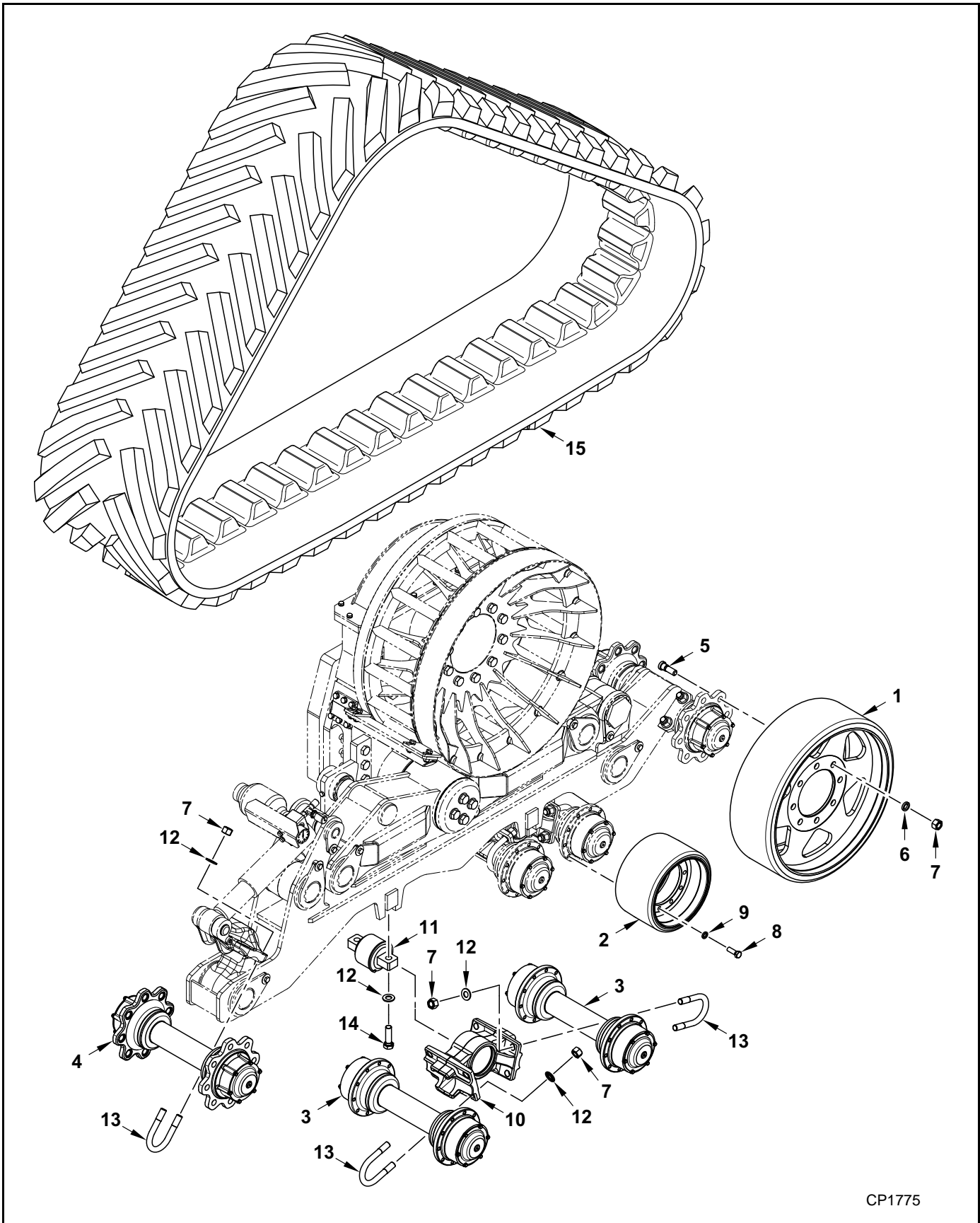
**HIGH SPEED COMBINE SYSTEM, MODEL 36Q17MK1JD46-264B  
S/N TRE0518043 AND LATER  
JOHN DEERE COMBINES**

**Track Tensioning - Manifold & Accumulator**

(2A-1725-100 & 2A-1726-100)

Ref.	FN	Part Number	CTS Series	Qty.	Description
		1002474		1	CYLINDER ASSY., Track Tension, RH, Includes items 1 -17
		1002475		1	CYLINDER ASSY., Track Tension, LH, Not Shown, Includes items 1 -17
1		1002476		1	CYLINDER, Track Tension
2		2H-0194		1	ACCUMULATOR, Nitrogen
3		2F-0306		1	WASHER, M18
4		2H-0184		1	FITTING
5		2F-0303		1	WASHER, G1/2"
6		2H-0188		1	VALVE
7		2H-0182		1	FITTING
8		2F-0304		4	WASHER, G1/4"
9		2H-0183		1	FITTING, G1/4"
10		2H-0191		1	FITTING
11		2H-0192		1	CAP
12		2H-0174		1	PLUG, G1/4"
13		2H-0173		1	PLUG, 1/2" BSP
14		2H-0190		1	GUAGE, Pressure
15		1002479		1	SHEILD, Protective, RH
		1002480		1	SHEILD, Protective, LH, Not Shown
16		2F-0344		2	BOLT, Hex
17		2F-0333		2	WASHER

# Track, Idler & Roller Wheel



CP1775



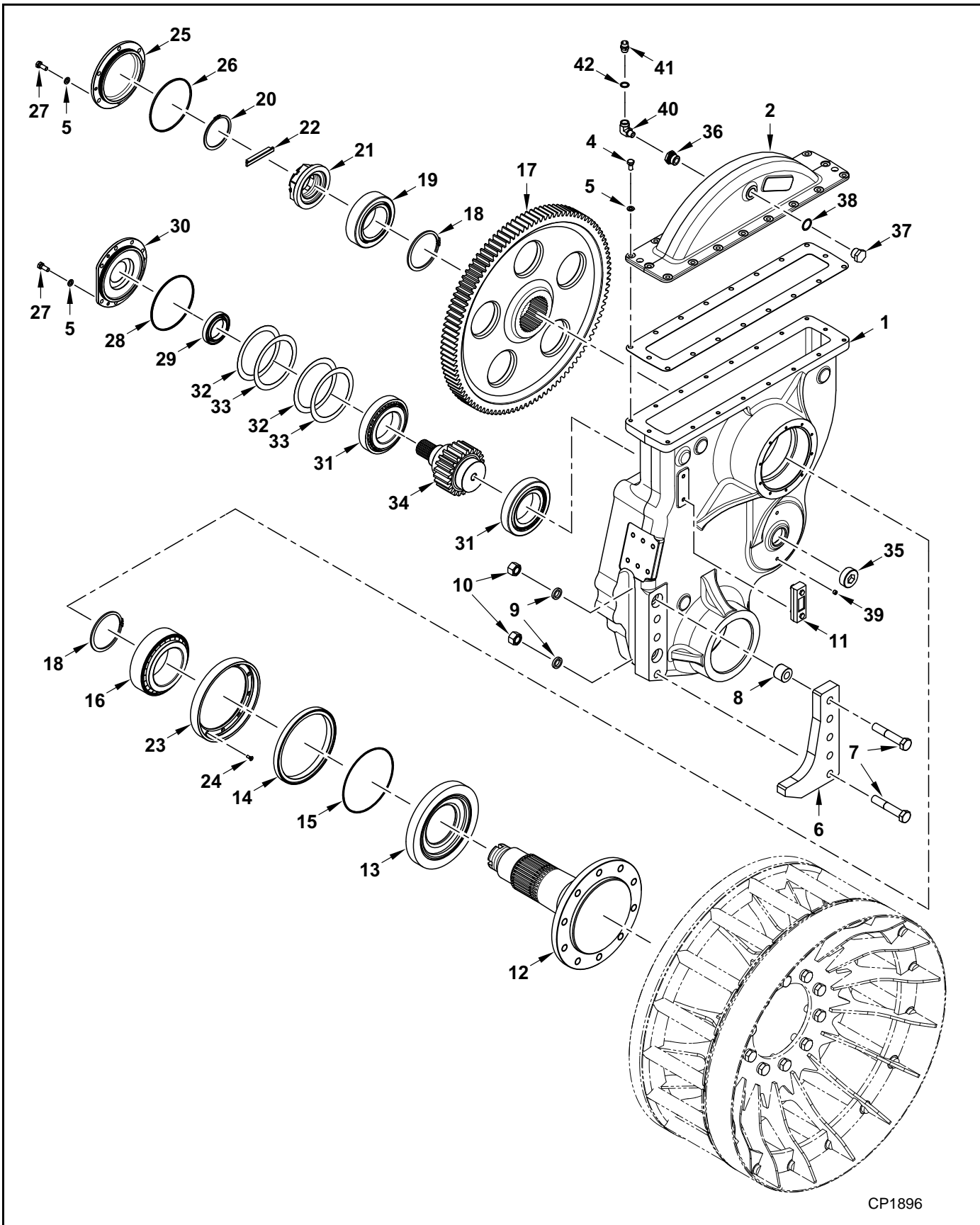
**HIGH SPEED COMBINE SYSTEM, MODEL 36Q17MK1JD46-264B  
S/N TRE0518043 AND LATER  
JOHN DEERE COMBINES**

**Track, Idler & Roller Wheel**

(2A-1725-100 & 2A-1726-100)

Ref.	FN	Part Number	CTS Series	Qty.	Description
		2A-1724-100		1	KIT, Fitment, Undercarriage (LH & RH sides), Includes items 1 - 15
1		5W-0351		4	WHEEL, Idler, 36" Track
2		1003802		8	WHEEL, Roller, 36" Track
3		2A-1706-101		4	AXLE ASSY., Roller Wheel, 36" Track, See page 16-20
4		2A-1323-101		2	AXLE ASSY., Idler Wheel, 36" Track, See page 16-18
5		2F-0298		32	BOLT, Hex, M20 x 60, CI 10.9
6		2F-0325		32	WASHER, Contract, M20
7		2F-0296		48	NUT, Hex, M20
8		2F-0282		80	BOLT, Hex, M12 x 35, CI 10.9
9		2F-0326		80	WASHER, Wedge Locking, M12
		2A-1716-100		2	ARM ASSY., Pivoting, Includes items 10 & 11
10		1000394		2	ARM, Pivoting
11		1000438		2	JOINT, Rubber
12		2F-0275		24	WASHER, Flat, M20
13		1000119		20	U-BOLT
14		2F-0158		4	BOLT, Hex, M20 x 70, CI 10.9
15		B36BM02873		1	TRACK, Rubber, 36" x 264"

# Gearbox Assembly



CP1896

**HIGH SPEED COMBINE SYSTEM, MODEL 36Q17MK1JD46-264B  
S/N TRE0518043 AND LATER  
JOHN DEERE COMBINES**

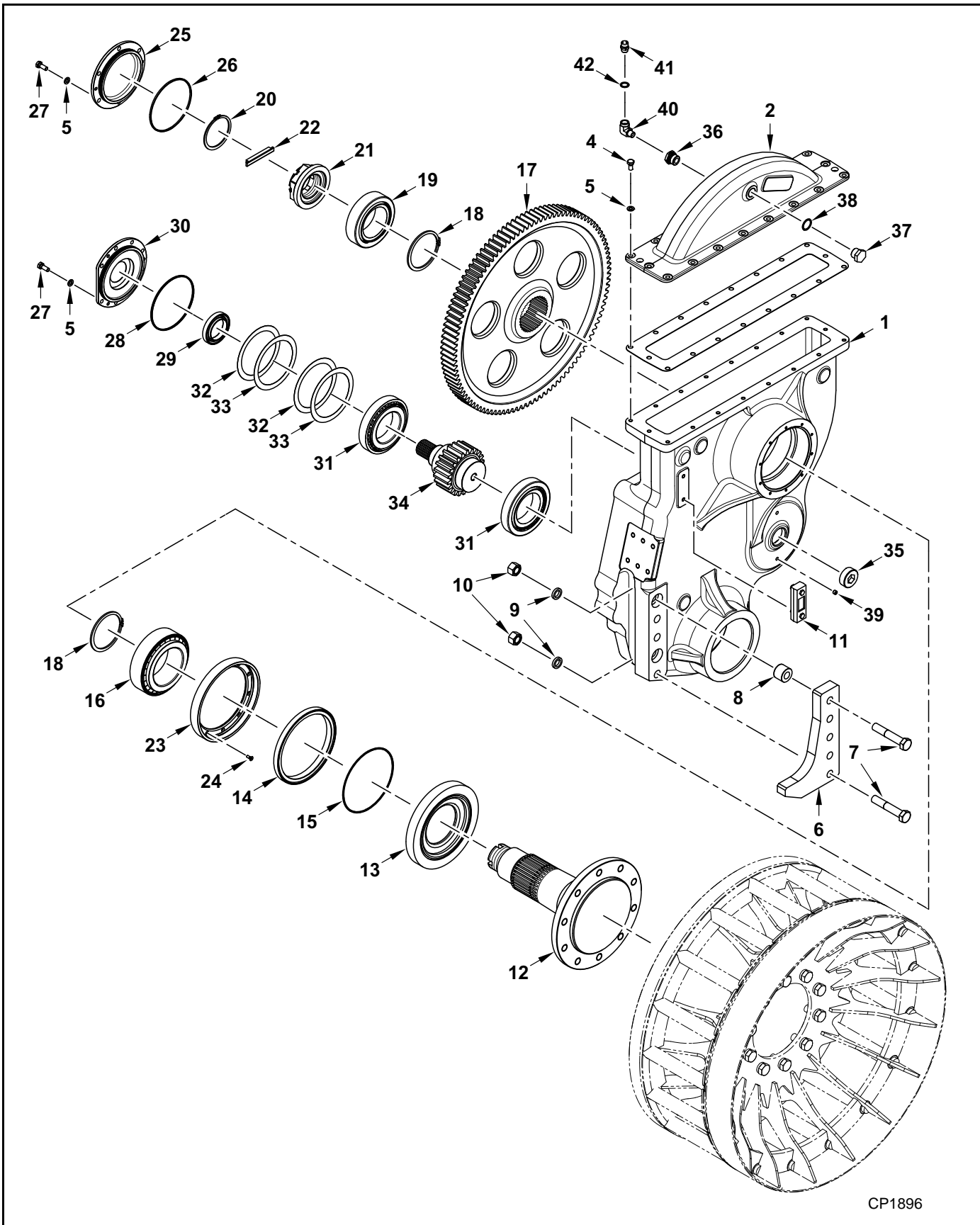
**Gearbox Assembly**

(2A-1725-100 & 2A-1726-100)

Ref.	FN	Part Number	CTS Series	Qty.	Description
		2A-1724-100		1	KIT, Fitment, Undercarriage (LH & RH sides), Includes items 1 -39
		2A-2037-100		1	GEARBOX ASSY., RH, Includes items 1 - 39
		2A-2039-100		1	GEARBOX ASSY., LH, Not Shown, Includes items 1 - 39
1		2C-4968-100		1	HOUSING, Gearbox, RH
		2C-4969-100		1	HOUSING, Gearbox, LH, Not Shown
2		2C-1642		1	COVER, Gearbox
3		2J-0233		1	GASKET
4		2F-0344		18	BOLT, Hex
5		2F-0333		32	WASHER
6		1002527		1	BRACKET
7		2F-0276		5	BOLT, Hex, M20 x 110, CI 10.9
8		2C-4204-100		2	SPACER
9		2F-0325		5	WASHER, Wedge Locking, M20
10		2F-0296		5	NUT, Hex, M20, CI 10
11		2H-0225		1	BLOCK
12		1001606		1	SPINDLE, Drive Wheel
13		1001502		1	BEARING, Shoulder
14		2J-0149		1	SEAL
15		2J-0148		1	O-RING
16		2B-0175		1	BEARING, Roller
17		1002535		1	GEAR
18		2F-0357		2	RING, Snap
19		2B-0176		1	BEARING, Roller
20		2F-0300		1	RING, Snap
21		1000113		1	NUT, Castle
22		1000114		1	KEY
23		1001504		1	RING, Retainer
24		2F-0292		10	SCREW, Socketless
25		1001512		1	COVER, Gearbox
26		2J-0147		1	O-RING
27		2F-0416		14	BOLT, Hex

Continued on the Next Page

# Gearbox Assembly



CP1896

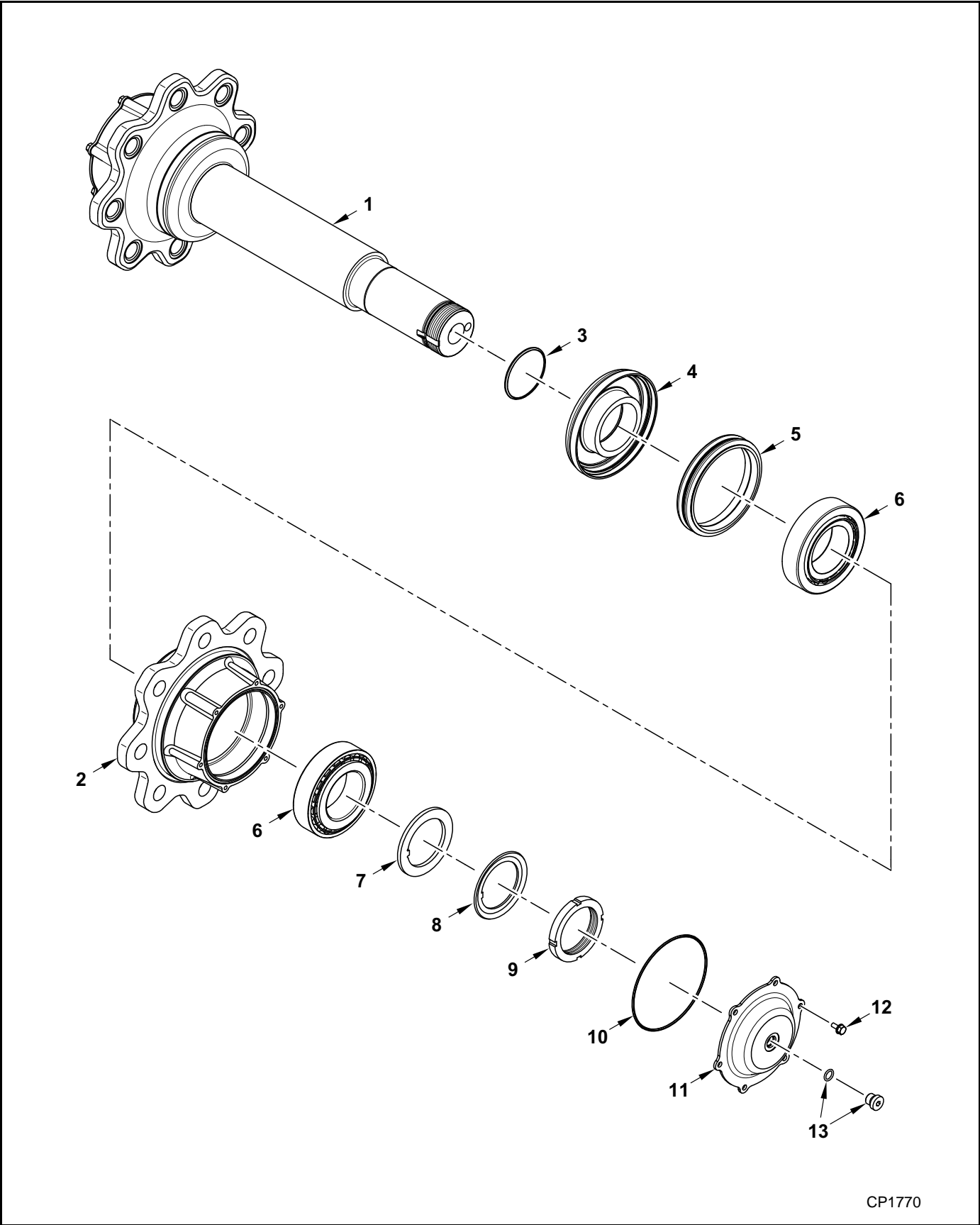
**HIGH SPEED COMBINE SYSTEM, MODEL 36Q17MK1JD46-264B  
S/N TRE0518043 AND LATER  
JOHN DEERE COMBINES**

**Gearbox Assembly**

(2A-1725-100 & 2A-1726-100)

Ref.	FN	Part Number	CTS Series	Qty.	Description
		2A-2037-100		1	GEARBOX ASSY., RH, Includes items 1 -39
		2A-2039-100		1	GEARBOX ASSY., LH, Not Shown, Includes items 1 -39
28		2J-0146		1	O-RING
29		2J-0150		1	SEAL, Lip
30		1001670		1	RING, Retainer
31		2B-0174		2	BEARING, Roller
32		2C-2466-100		2	SHIM
33		2C-2501-100		2	SHIM
34		1002537		1	GEAR, Reduction
35		2H-0240		1	SCREW, Socketless
36		2H-0308		1	ADAPTER
37		2H-0213		2	PLUG
38		2H-0286		2	O-RING
39		2H-0212		2	GEAR, Reduction
40		2H-0316		1	ELBOW, 90, G3/8"
41		2H-0237		2	ADAPTER
42		2H-0305		2	O-RING

Axle Assembly, Idler Wheel



CP1770

**HIGH SPEED COMBINE SYSTEM, MODEL 36Q17MK1JD46-264B  
S/N TRE0518043 AND LATER  
JOHN DEERE COMBINES**

**Axle Assembly, Idler Wheel**

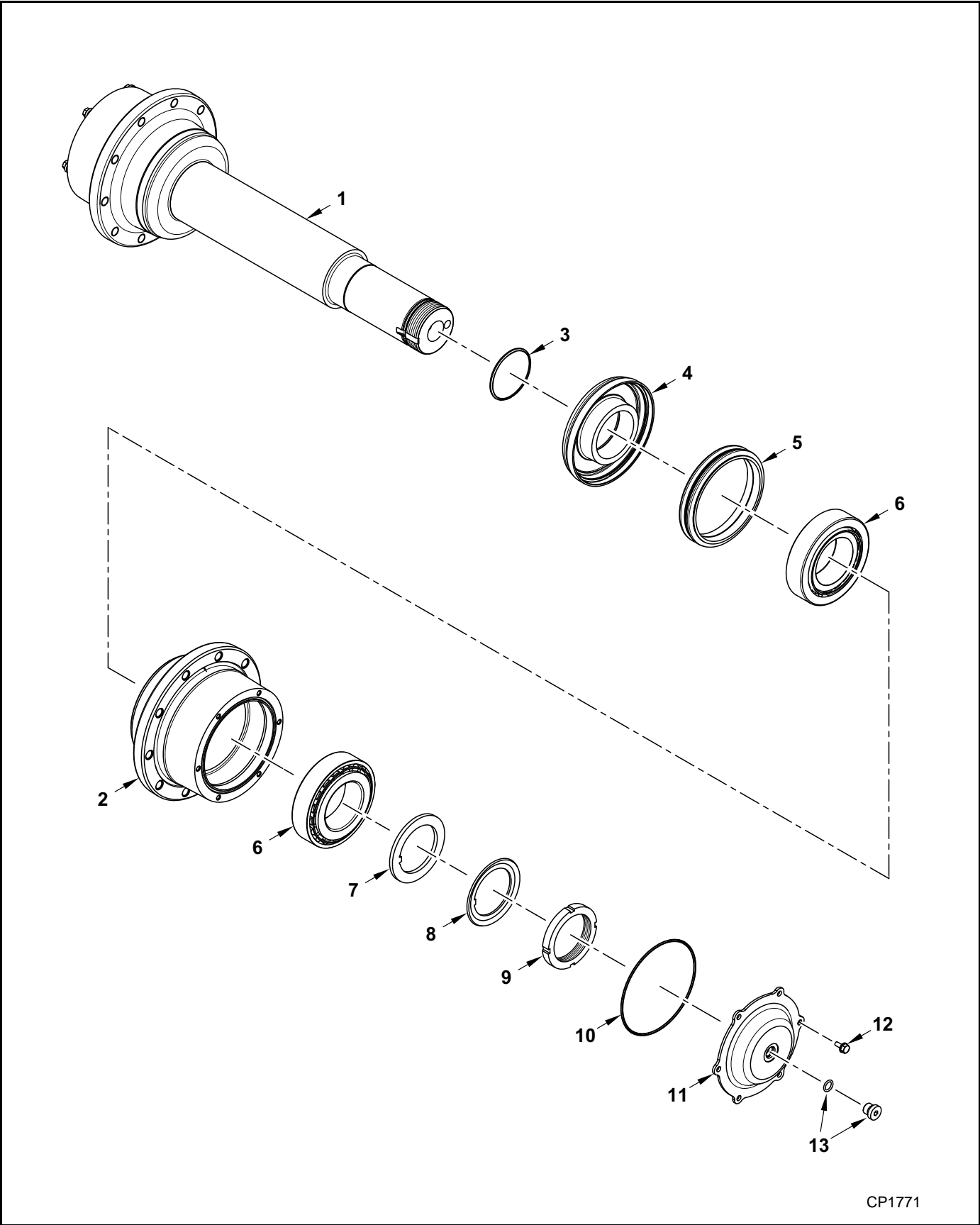
(2A-1725-100 & 2A-1726-100)

Ref.	FN	Part Number	CTS Series	Qty.	Description
	1	2A-1323-101		1	AXLE ASSY., Idler Wheel, 36" Track, Includes items 1 - 13
1	2	2C-2955-100		1	SHAFT, Axle, Idler
2		2C-2825-101		2	HUB
3	2	2J-0122		2	O-RING, 2.50 x 65
4	2	1000122		2	RING, Axle Collar
5		2J-0129		2	SEAL, Mechanical
6		2B-0171		4	BEARING, Roller Taper
7		2C-2923-100		2	WASHER, Locking Tab
8		2F-0302		2	WASHER, Lock
9		2F-0301		2	NUT, Lock
10		2J-0123		2	O-RING, 2.62 x 126
11		2C-2956-101		2	CAP, Hub
12		2F-0295		12	BOLT, Hex Flg., M6
13		2H-0243		2	PLUG, Socketless

1 - Complete axle assemblies are available from Camso service.

2 - Serviced by 2A-1323-101.

Axle Assembly, Roller Wheel



CP1771



**HIGH SPEED COMBINE SYSTEM, MODEL 36Q17MK1JD46-264B  
S/N TRE0518043 AND LATER  
JOHN DEERE COMBINES**

**Axle Assembly, Roller Wheel**

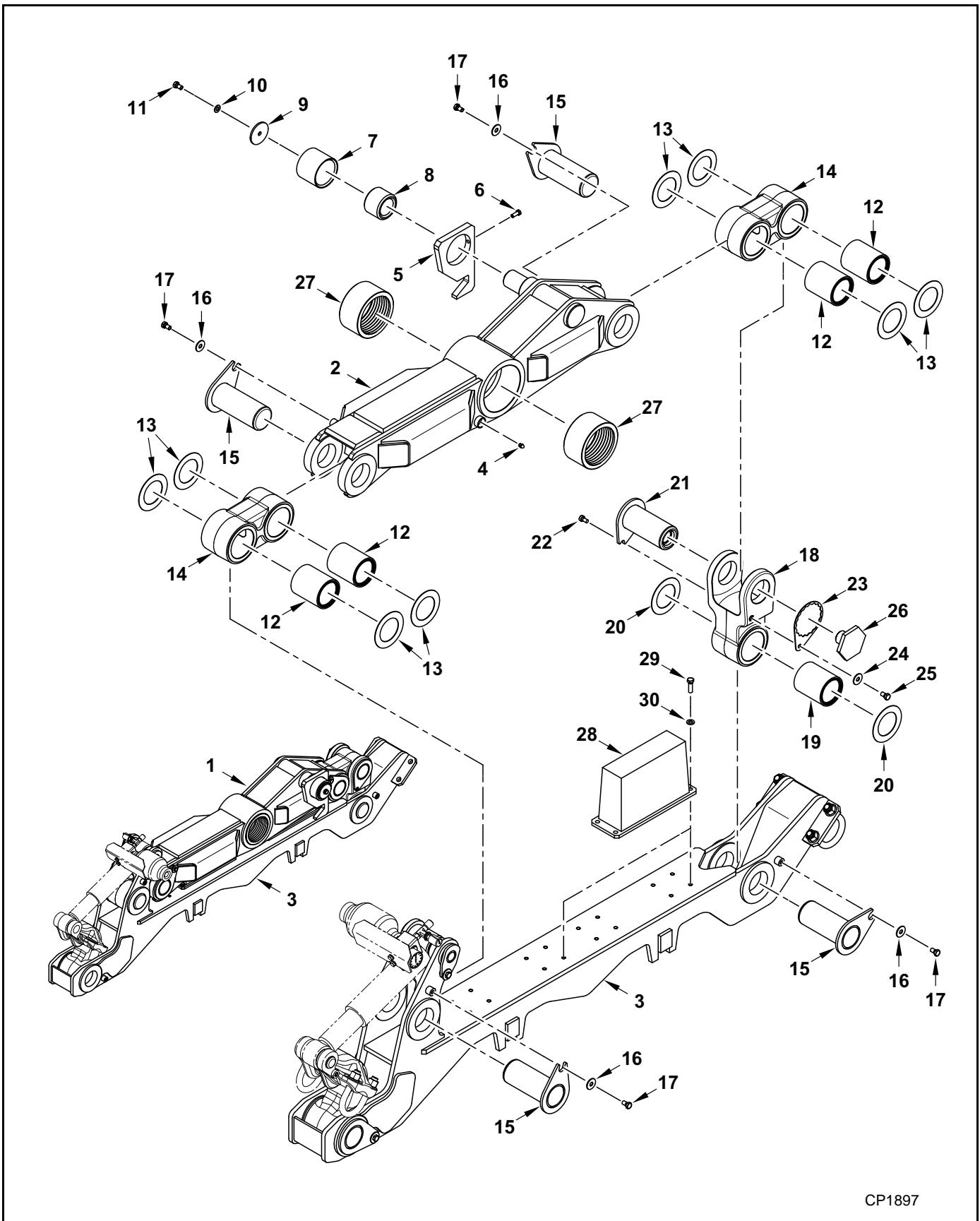
(2A-1725-100 & 2A-1726-100)

Ref.	FN	Part Number	CTS Series	Qty.	Description
	1	2A-1706-101		1	AXLE ASSY., Roller Wheel, 36" Track, Includes items 1 - 13
1		2C-2955-100		1	SHAFT, Axle, Roller
2		2C-2952-101		2	HUB
3	2	2J-0122		2	O-RING, 2.50 x 65
4	2	1000122		2	RING, Axle Collar
5		2J-0129		2	SEAL, Mechanical
6		2B-0171		4	BEARING, Roller Taper
7		2C-2923-100		2	WASHER, Locking Tab
8		2F-0302		2	WASHER, Lock
9		2F-0301		2	NUT, Lock
10		2J-0123		2	O-RING, 2.62 x 126
11		2C-2956-101		2	CAP, Hub
12		2H-0243		2	PLUG, Socketless, M14
13		2F-0295		12	BOLT, Hex Flg., M6

1 - Complete axle assemblies are available from Camso service.

2 - Serviced by 2A-1706-101.

# Undercarriage Frame



CP1897

**HIGH SPEED COMBINE SYSTEM, MODEL 36Q17MK1C66-264B  
S/N TRE0518043 AND LATER  
CASE IH COMBINES**

**Undercarriage Frame**

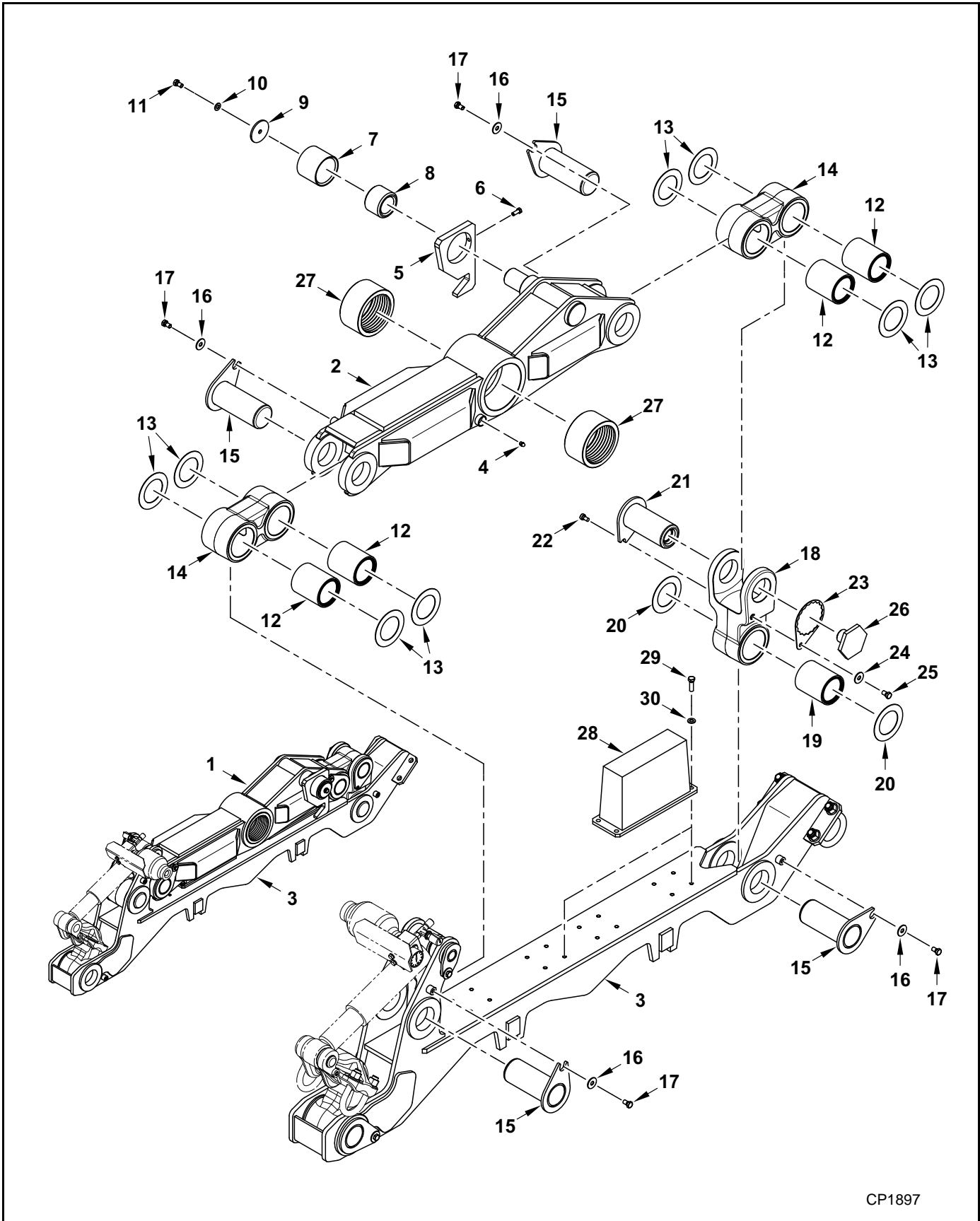
(2A-2090-100 & 2A-2091-100)

Ref.	FN	Part Number	CTS Series	Qty.	Description
		2A-1724-100	36Q17MK	1	KIT, Fitment, Undercarriage (LH & RH sides), Includes items 1 - 31
1		1002544		1	FRAME ASSY., Undercarriage, Upper, RH
2		1002543		1	FRAME ASSY., Undercarriage, Upper, LH
3		1002563		1	FRAME ASSY., Undercarriage, Lower
4		2H-0179		1	FITTING, Grease
	1	1002560		1	PLATE ASSY., Anti-rotation, Includes items 5 - 6
5		1002561		1	PLATE, Anti-rotation
6		2F-0416		1	SCREW, Set
7		1001972		1	SLEEVE
8		1001975		1	SPACER
9		1001976		1	WASHER
10		2F-0273		1	WASHER, Contact, Narrow, M12
11		2F-0278		1	BOLT, Hex, M12 x 20, CI 8.8
		1000395		1	ROD ASSY., Upper, Includes items 12 - 14
12		1000399		2	BEARING
13		1000400		4	SHIM
14		1000396		1	ROD, Upper
15		1000451		4	PIN, Mounting
16		2F-0272		6	WASHER, M12
17		2F-0278		6	BOLT, Hex, M12 x 20, CI 8.8
		1000397		1	ROD ASSY., Lower, Includes items 18 - 26
18		1000398		1	ROD, Lower
19		1000399		1	BEARING, Sliding
20		1000400		2	SHIM
21		1000441		1	PIN, Mounting
22		2F-0294		1	BOLT, Socketless
23		1000445		1	PIN, Lock, Shoulder
24		2F-0272		1	WASHER, M12
25		2F-0278		1	BOLT, Hex, M12 x 20, CI 8.8

Continued on Next Page

1 - Service as assembly only. Service Tool only required for installation and removal purposes. Should not be installed during use or operation.

# Undercarriage Frame



CP1897

**HIGH SPEED COMBINE SYSTEM, MODEL 36Q17MK1C66-264B  
S/N TRE0518043 AND LATER  
CASE IH COMBINES**

**Undercarriage Frame**

(2A-2090-100 & 2A-2091-100)

Ref.	FN	Part Number	CTS Series	Qty.	Description
		2A-1724-100	36Q17MK	1	KIT, Fitment, Undercarriage (LH & RH sides), Includes items 1 - 31
26		1000444		1	SCREW, Thumb
27		1001563		2	BEARING
28		1002461		2	SPRING, Rubber
29		2F-0279		8	BOLT, Hex, M12 x 40, Cl 8.8
30		2F-0273		8	WASHER, Contact, Narrow, M12



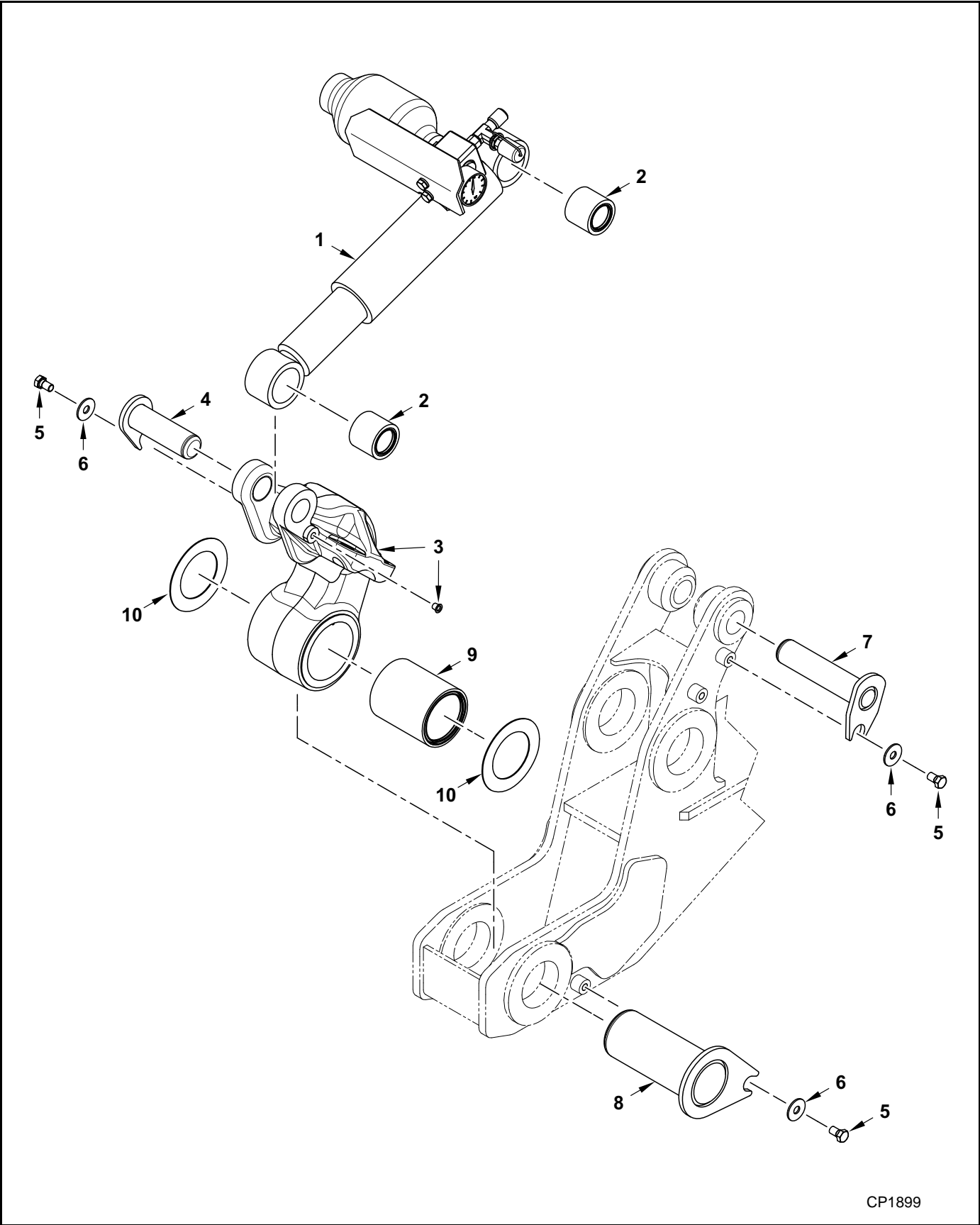
**HIGH SPEED COMBINE SYSTEM, MODEL 36Q17MK1C66-264B  
S/N TRE0518043 AND LATER  
CASE IH COMBINES**

**Sprocket & Gearbox**

(2A-2090-100 & 2A-2091-100)

Ref.	FN	Part Number	CTS Series	Qty.	Description
		2A-1724-100	36Q17MK	1	KIT, Fitment, Undercarriage (LH & RH sides), Includes items 1 - 17
1		1004156		1	GEARBOX ASSY., RH, See page 17-14
		1004157		1	GEARBOX ASSY., LH, Not Shown, See page 17-14
2		1002306		1	SPROCKET, Drive
3		2F-0325		10	WASHER, Wedge Locking, M20
4		2F-0347		10	BOLT, Hex, M20 x 45, CI 10.9
5		1002539		1	SHAFT
6		1001586		1	CAP, End
7		1001587		3	SHIM
8		2C-4202-100		2	SHIM
9		2F-0275		7	WASHER, M20
10		2F-0328		3	BOLT, Hex
11		1002540		1	PIN
12		2F-0288		4	BOLT, Hex
13		2S-1748		1	BAR, Scraper, RH
		2S-1747		1	BAR, Scraper, LH, Not Shown
14		2S-4841-100		1	PLATE, Scraper, Large
15		2F-0035		2	BOLT, Hex Flg., M12 x 35, CI 10.9
16		2F-0046		6	BOLT, Hex, M12 x 35, CI 10.9
17		2F-0326		6	WASHER, Wedge Locking, M12

Track Tensioning - Cylinder & Linkage



CP1899



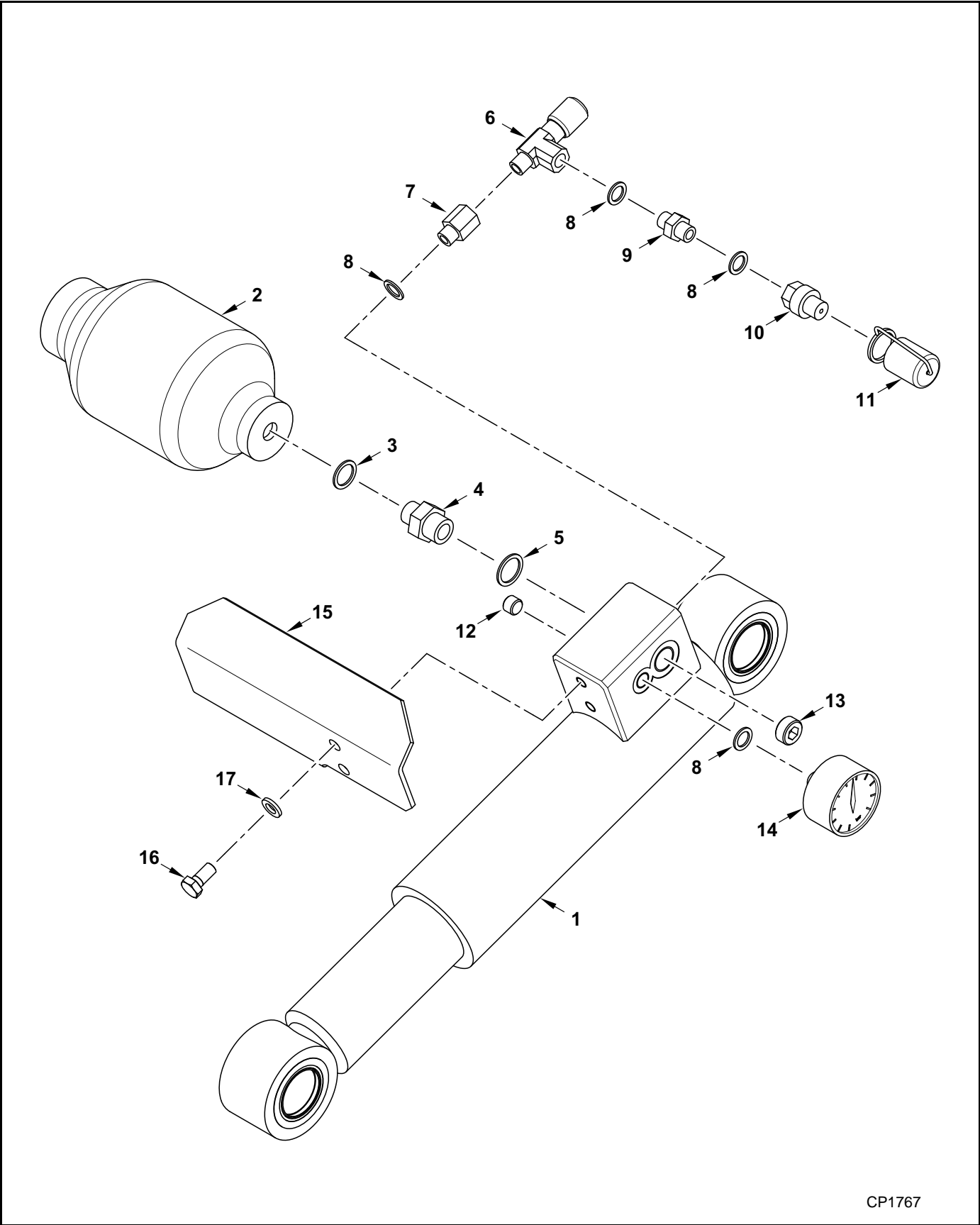
**HIGH SPEED COMBINE SYSTEM, MODEL 36Q17MK1C66-264B  
S/N TRE0518043 AND LATER  
CASE IH COMBINES**

**Track Tensioning - Cylinder & Linkage**

(2A-2090-100 & 2A-2091-100)

Ref.	FN	Part Number	CTS Series	Qty.	Description
		1009036	36Q17MK	1	KIT, Fitment, Undercarriage (LH & RH sides), Includes items 1 - 10
1		1002474		1	CYLINDER ASSY., Track Tension, RH, See page 17-10
		1002475		1	CYLINDER ASSY., Track Tension, LH, Not Shown, See page 17-10
2		1000462		2	BEARING
3		2C-2810-100		1	ARM, Tensioner
4		1001413		1	PIN, Piston Tensioner
5		2F-0278		3	BOLT, Hex, M12 x 20, Cl 8.8
6		2F-0272		3	WASHER, M12
7		1000490		1	PIN, Cylinder Tension
8		1000451		1	PIN, Mounting, Tension Arm
9		1000399		1	BEARING, Sliding
10		1000400		2	SHIM

Track Tensioning - Manifold & Accumulator



CP1767

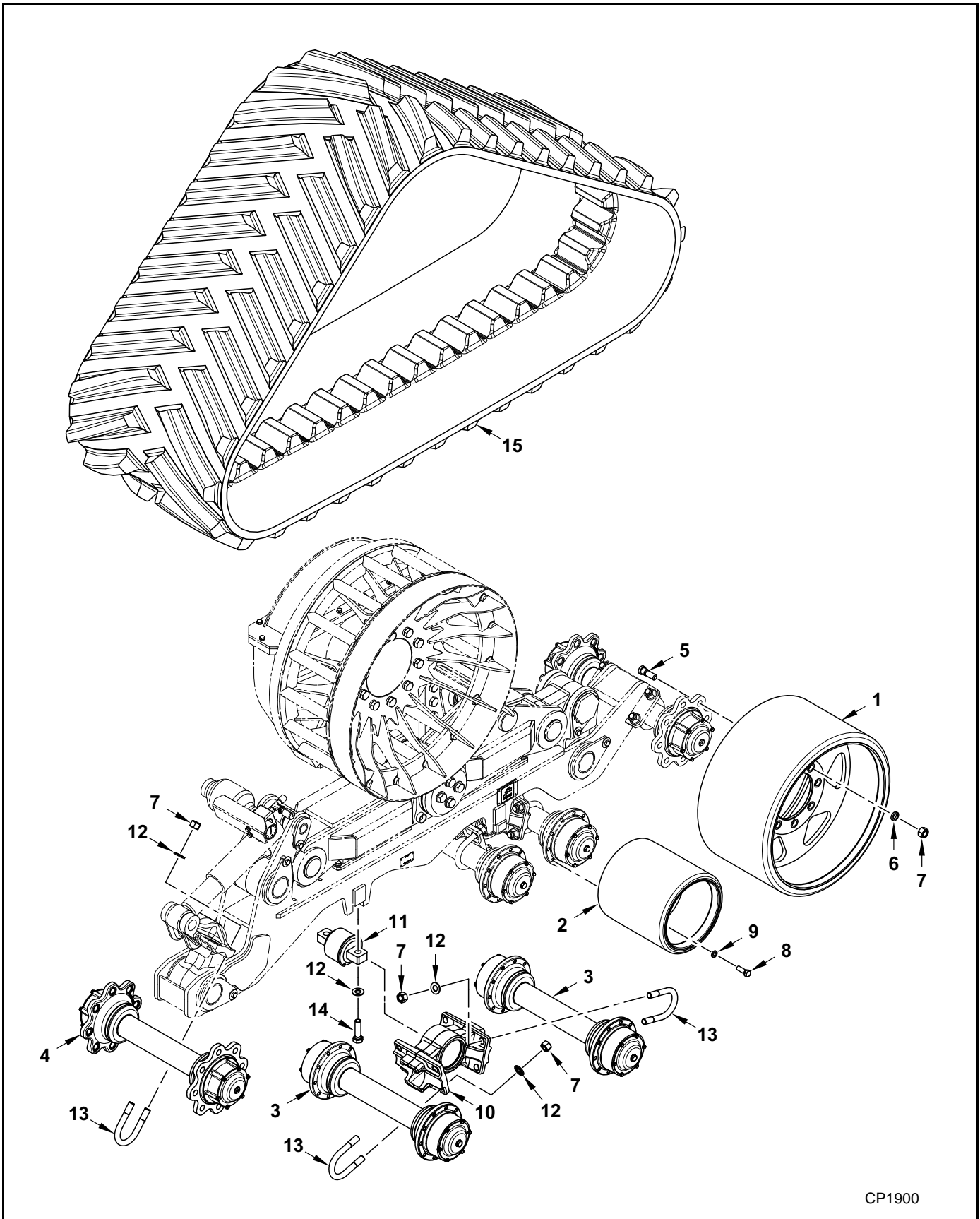
**HIGH SPEED COMBINE SYSTEM, MODEL 36Q17MK1C66-264B  
S/N TRE0518043 AND LATER  
CASE IH COMBINES**

**Track Tensioning - Manifold & Accumulator**

(2A-2090-100 & 2A-2091-100)

Ref.	FN	Part Number	CTS Series	Qty.	Description
		1002474		1	CYLINDER ASSY., Track Tension, RH, Includes items 1 -17
		1002475		1	CYLINDER ASSY., Track Tension, LH, Not Shown, Includes items 1 -17
1		1002476		1	CYLINDER, Track Tension
2		2H-0194		1	ACCUMULATOR, Nitrogen
3		2F-0306		1	WASHER, M18
4		2H-0184		1	FITTING
5		2F-0303		1	WASHER, G1/2"
6		2H-0188		1	VALVE
7		2H-0182		1	FITTING
8		2F-0304		4	WASHER, G1/4"
9		2H-0183		1	FITTING, G1/4"
10		2H-0191		1	FITTING
11		2H-0192		1	CAP
12		2H-0174		1	PLUG, G1/4"
13		2H-0173		1	PLUG, 1/2" BSP
14		2H-0190		1	GUAGE, Pressure
15		1002479		1	SHEILD, Protective, RH
		1002480		1	SHEILD, Protective, LH, Not Shown
16		2F-0344		2	BOLT, Hex
17		2F-0333		2	WASHER

# Track, Idler & Roller Wheel



CP1900

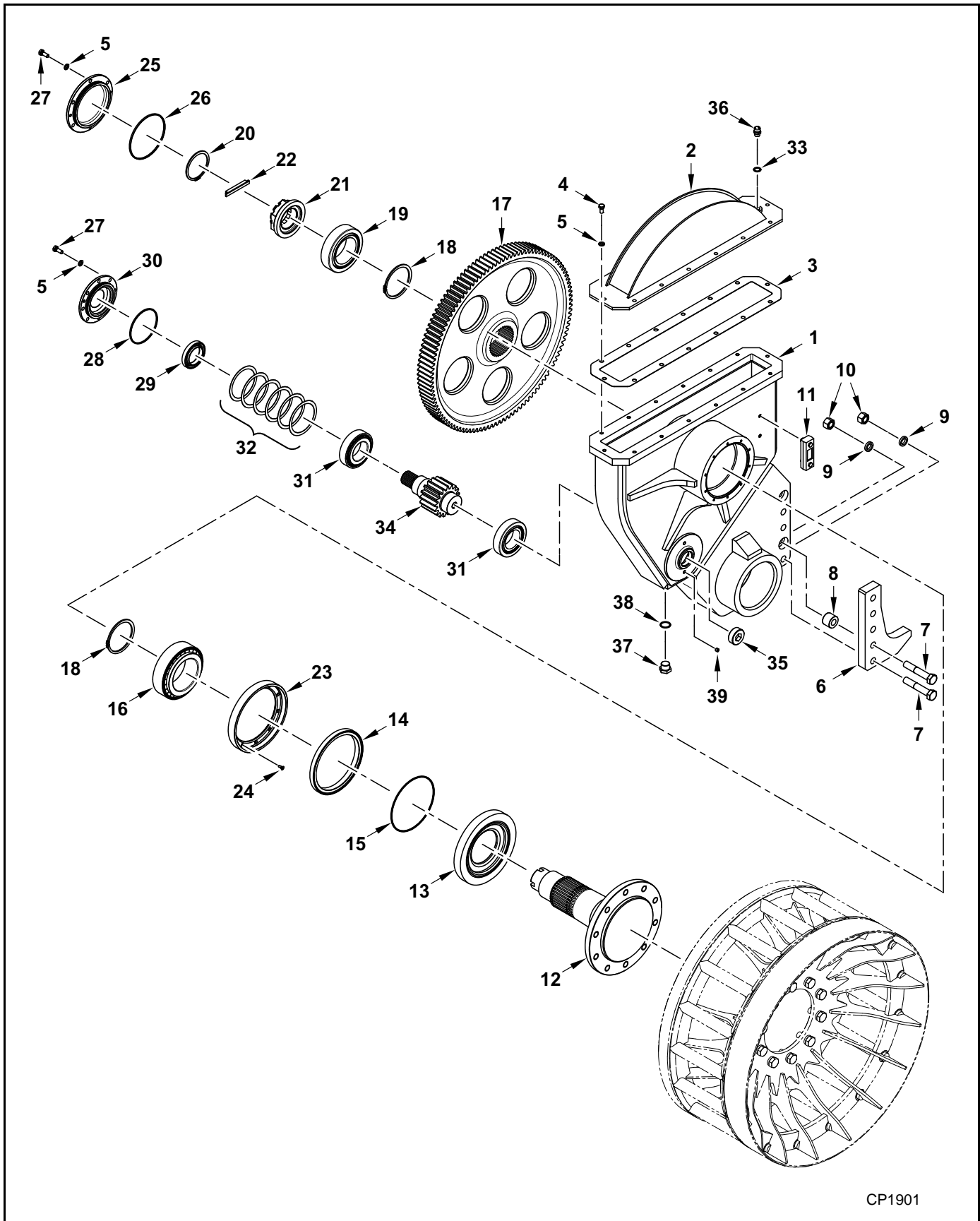
**HIGH SPEED COMBINE SYSTEM, MODEL 36Q17MK1C66-264B  
S/N TRE0518043 AND LATER  
CASE IH COMBINES**

**Track, Idler & Roller Wheel**

(2A-2090-100 & 2A-2091-100)

Ref.	FN	Part Number	CTS Series	Qty.	Description
		2A-1724-100		1	KIT, Fitment, Undercarriage (LH & RH sides), Includes items 1 - 15
1		5W-0351		4	WHEEL, Idler, 36" Track
2		1003802		8	WHEEL, Roller, 36" Track
3		2A-1706-101		4	AXLE ASSY., Roller Wheel, 36" Track, See page 17-20
4		2A-1323-101		2	AXLE ASSY., Idler Wheel, 36" Track, See page 17-18
5		2F-0298		32	BOLT, Hex, M20 x 60, CI 10.9
6		2F-0325		32	WASHER, Contract, M20
7		2F-0296		48	NUT, Hex, M20
8		2F-0282		80	BOLT, Hex, M12 x 35, CI 10.9
9		2F-0326		80	WASHER, Wedge Locking, M12
		2A-1716-100		2	ARM ASSY., Pivoting, Includes items 10 & 11
10		1000394		2	ARM, Pivoting
11		1000438		2	JOINT, Rubber
12		2F-0275		24	WASHER, Flat, M20
13		1000119		20	U-BOLT
14		2F-0158		4	BOLT, Hex, M20 x 70, CI 10.9
15		B36BM02873		1	TRACK, Rubber, 36" x 264"

# Gearbox Assembly



CP1901

**HIGH SPEED COMBINE SYSTEM, MODEL 36Q17MK1C66-264B  
S/N TRE0518043 AND LATER  
CASE IH COMBINES**

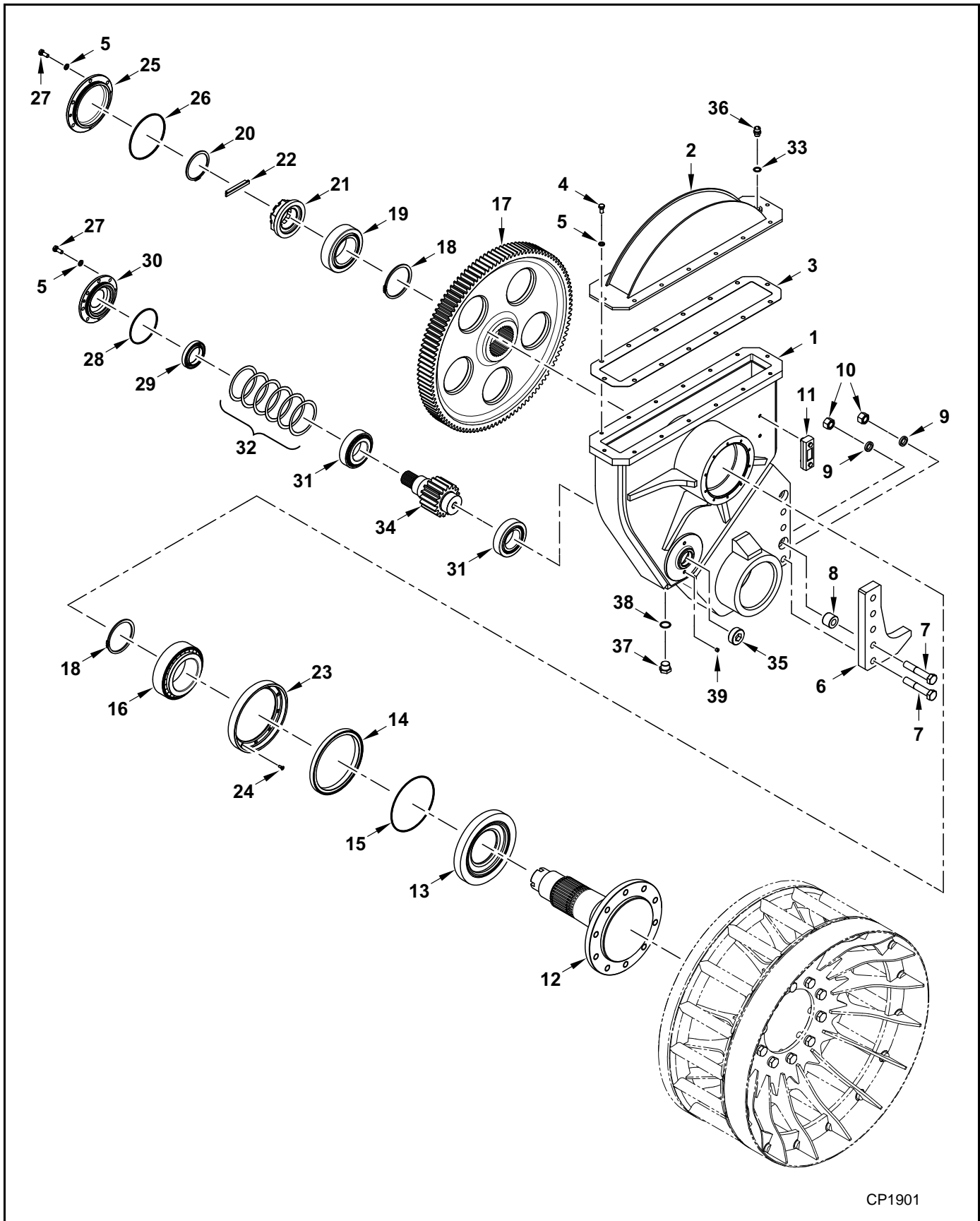
**Gearbox Assembly**

(2A-2090-100 & 2A-2091-100)

Ref.	FN	Part Number	CTS Series	Qty.	Description
		2A-1724-100		1	KIT, Fitment, Undercarriage (LH & RH sides), Includes items 1 - 39
		1004156		1	GEARBOX ASSY., RH, Includes items 1 - 39
		1004157		1	GEARBOX ASSY., LH, Not Shown, Includes items 1 - 39
1		1004164		1	HOUSING, Gearbox, RH
		1004165		1	HOUSING, Gearbox, LH, Not Shown
2		1004182		1	COVER, Gearbox
3		2J-0239		1	GASKET
4		2F-0344		14	BOLT, Hex
5		2F-0333		26	WASHER
6		2C-4212-100		1	BRACKET
7		2F-0276		5	BOLT, Hex, M20 x 110, CI 10.9
8		2C-4204-100		2	SPACER
9		2F-0325		5	WASHER, Wedge Locking, M20
10		2F-0296		5	NUT, Hex, M20, CI 10
11		2H-0225		1	BLOCK
12		1001606		1	SPINDLE, Drive Wheel
13		1001502		1	BEARING, Shoulder
14		2J-0149		1	SEAL
15		2J-0148		1	O-RING
16		2B-0175		1	BEARING, Roller
17		1004159		1	GEAR
18		2F-0357		2	RING, Snap
19		2B-0176		1	BEARING, Roller
20		2F-0300		1	RING, Snap
21		1000113		1	NUT, Castle
22		1000114		1	KEY
23		1001504		1	RING, Retainer
24		2F-0292		10	SCREW, Socketless
25		1001512		1	COVER, Gearbox
26		2J-0147		1	O-RING
27		2F-0416		14	BOLT, Hex

Continued on the Next Page

# Gearbox Assembly



CP1901



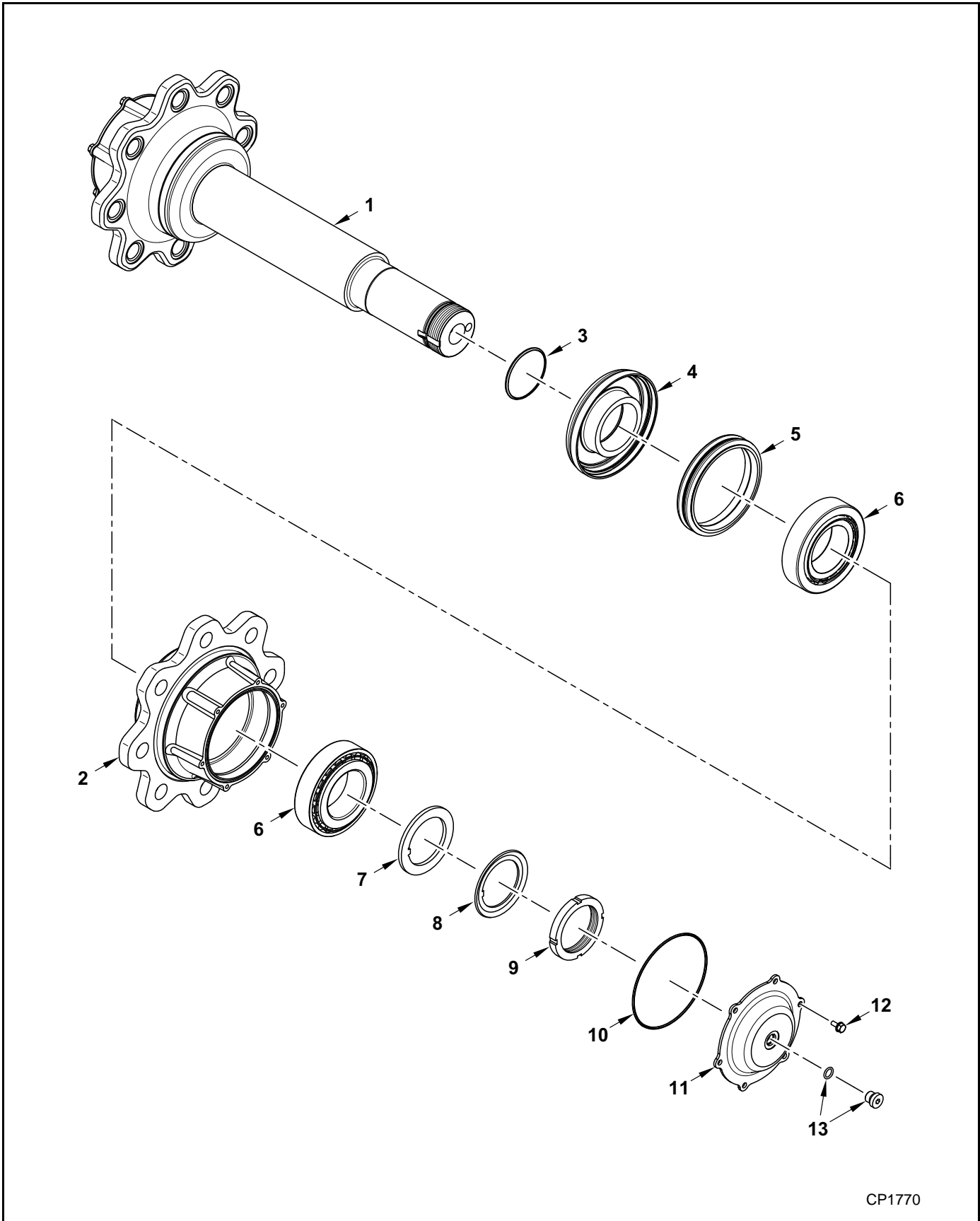
**HIGH SPEED COMBINE SYSTEM, MODEL 36Q17MK1C66-264B  
S/N TRE0518043 AND LATER  
CASE IH COMBINES**

**Gearbox Assembly**

(2A-2090-100 & 2A-2091-100)

Ref.	FN	Part Number	CTS Series	Qty.	Description
		1004156		1	GEARBOX ASSY., RH, Includes items 1 -39
		1004157		1	GEARBOX ASSY., LH, Not Shown, Includes items 1 -39
28		2J-0237		1	O-RING, 3.53 x 110.7mm
29		2J-0150		1	SEAL, Lip
30		1004163		1	RING, Retainer
31		2B-0174		2	BEARING, Roller
32		2C-3992-100		6	SHIM
33		2F-0305		1	O-RING, G3/8"
34		1004161		1	GEAR, Reduction
35		2H-0240		1	SCREW, Socketless
36		2H-0237		1	ADAPTER
37		2H-0213		2	PLUG
38		2H-0286		1	O-RING
39		2H-0212		2	GEAR, Reduction

# Axle Assembly, Idler Wheel



CP1770

**HIGH SPEED COMBINE SYSTEM, MODEL 36Q17MK1C66-264B  
S/N TRE0518043 AND LATER  
CASE IH COMBINES**

**Axle Assembly, Idler Wheel**

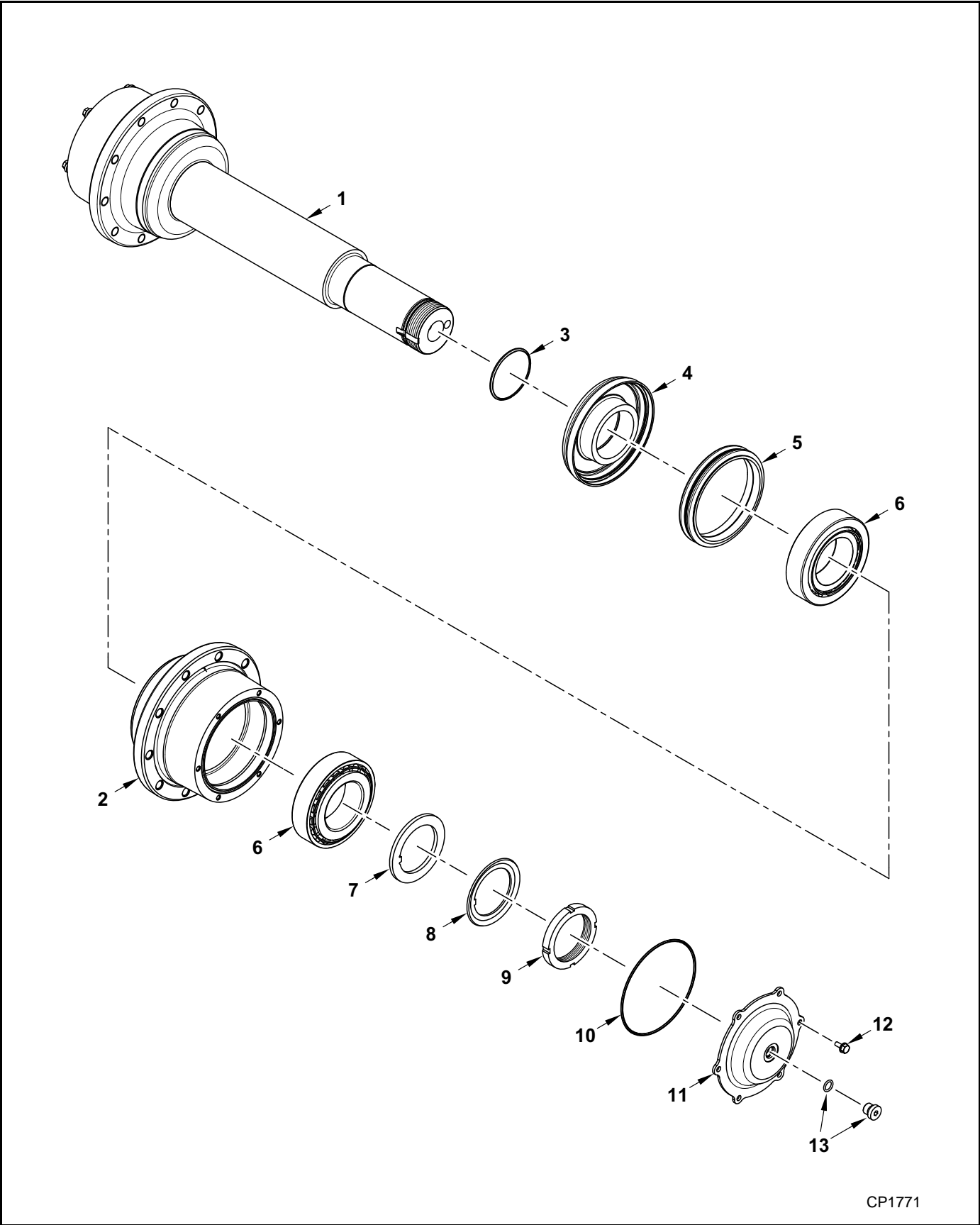
(2A-2090-100 & 2A-2091-100)

Ref.	FN	Part Number	CTS Series	Qty.	Description
	1	2A-1323-101		1	AXLE ASSY., Idler Wheel, 36" Track, Includes items 1 - 13
1	2	2C-2955-100		1	SHAFT, Axle, Idler
2		2C-2825-101		2	HUB
3	2	2J-0122		2	O-RING, 2.50 x 65
4	2	1000122		2	RING, Axle Collar
5		2J-0129		2	SEAL, Mechanical
6		2B-0171		4	BEARING, Roller Taper
7		2C-2923-100		2	WASHER, Locking Tab
8		2F-0302		2	WASHER, Lock
9		2F-0301		2	NUT, Lock
10		2J-0123		2	O-RING, 2.62 x 126
11		2C-2956-101		2	CAP, Hub
12		2F-0295		12	BOLT, Hex Flg., M6
13		2H-0243		2	PLUG, Socketless

1 - Complete axle assemblies are available from Camso service.

2 - Serviced by 2A-1323-101.

Axle Assembly, Roller Wheel



CP1771

**HIGH SPEED COMBINE SYSTEM, MODEL 36Q17MK1C66-264B  
S/N TRE0518043 AND LATER  
CASE IH COMBINES**

**Axle Assembly, Roller Wheel**

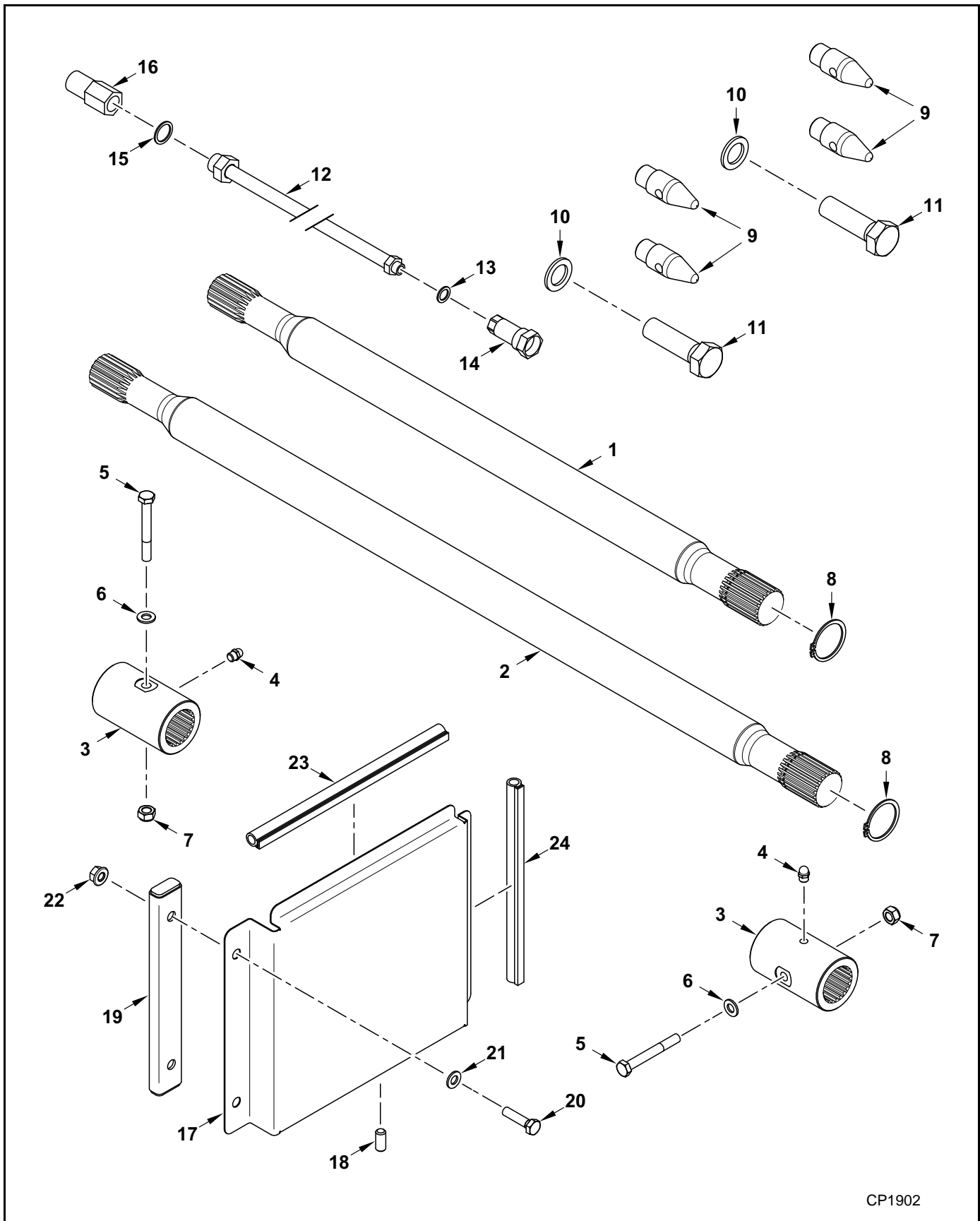
(2A-2090-100 & 2A-2091-100)

Ref.	FN	Part Number	CTS Series	Qty.	Description
	1	2A-1706-101		1	AXLE ASSY., Roller Wheel, 36" Track, Includes items 1 - 13
1		2C-2955-100		1	SHAFT, Axle, Roller
2		2C-2952-101		2	HUB
3	2	2J-0122		2	O-RING, 2.50 x 65
4	2	1000122		2	RING, Axle Collar
5		2J-0129		2	SEAL, Mechanical
6		2B-0171		4	BEARING, Roller Taper
7		2C-2923-100		2	WASHER, Locking Tab
8		2F-0302		2	WASHER, Lock
9		2F-0301		2	NUT, Lock
10		2J-0123		2	O-RING, 2.62 x 126
11		2C-2956-101		2	CAP, Hub
12		2H-0243		2	PLUG, Socketless, M14
13		2F-0295		12	BOLT, Hex Flg., M6

1 - Complete axle assemblies are available from Camso service.

2 - Serviced by 2A-1706-101.

# Kit, Combine Fitment (400mm Axle Extensions)



CP1902

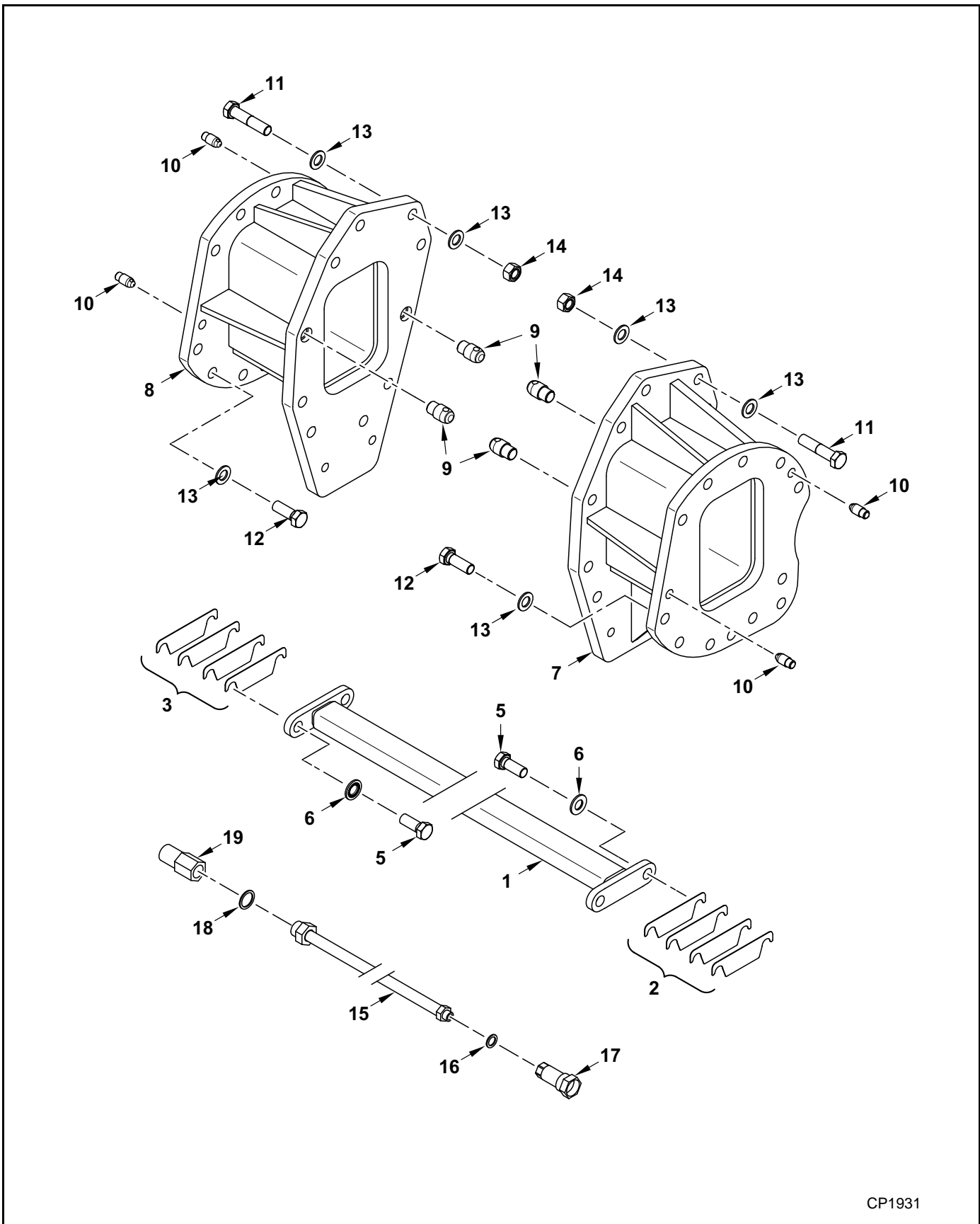
# FITMENT KIT - HIGH SPEED SYSTEM (JOHN DEERE COMBINES)

## Kit, Combine Fitment (400mm Axle Extensions)

(2K-0216 & 2K-0217)

Ref.	FN	Part Number	CTS Series	Qty.	Description
		2K-0216		1	KIT, Fitment, 18T, Includes items 1 - 24
		2K-0217		1	KIT, Fitment, 22T, Includes items 1 - 24
		2A-1730-100		1	DRIVE SHAFT ASSY., 18T, Includes items 1 - 8
		2A-1733-100		1	DRIVE SHAFT ASSY., 22T, Includes items 1 - 8
1		2C-4259-101		1	SHAFT, Drive, 18T, Shorter
		2C-4261-101		1	SHAFT, Drive, 22T, Shorter
2		2C-4260-101		1	SHAFT, Drive, 18T, Longer
		2C-4262-101		1	SHAFT, Drive, 22T, Longer
3		1002349		2	COUPLER
4		2H-0179		2	FITTING, Grease
5		2F-0441		2	BOLT, Hex
6		2F-0083		2	WASHER, M10
7		2F-0450		2	NUT, Lock
8		2F-0478		2	RING, Snap
9		1002616		4	PIN, Guide
10		2F-0485		12	WASHER
11		2F-0151		12	BOLT, Hex, M24 x 65, Cl 10.9
12		1000957		1	HOSE, Pressure Gauge
13		2F-0304		1	WASHER, Copper, 13 x 19 x 1.5
14		2H-0193		1	COUPLER, Quick, Female, 1/4" BSPP
15		2F-0303		1	WASHER, Copper, 21 x 27 x 1.5
16		2H-0220		1	COUPLER, Quick, Male, 1/2" BSP
		2H-1730		1	SIDE SHIELD ASSY., Includes items 17 & 18
17		2C-4266-100		1	SHIELD
18		2C-5206-100		1	PIN, Guide
19		2S-1642		1	SPACER
20		2F-0198		2	BOLT, Hex, M10 x 40, Gr. 10.9
21		2F-0083		2	WASHER, M10
22		2F-0432		2	NUT, Hex, Flg., M20 x 50, Gr. 10.9
23		2M-0323		1	SEAL, Bulb
24		2M-0336		1	SEAL, Bulb

# Kit, Combine Fitment (265mm Axle Extensions)



CP1931



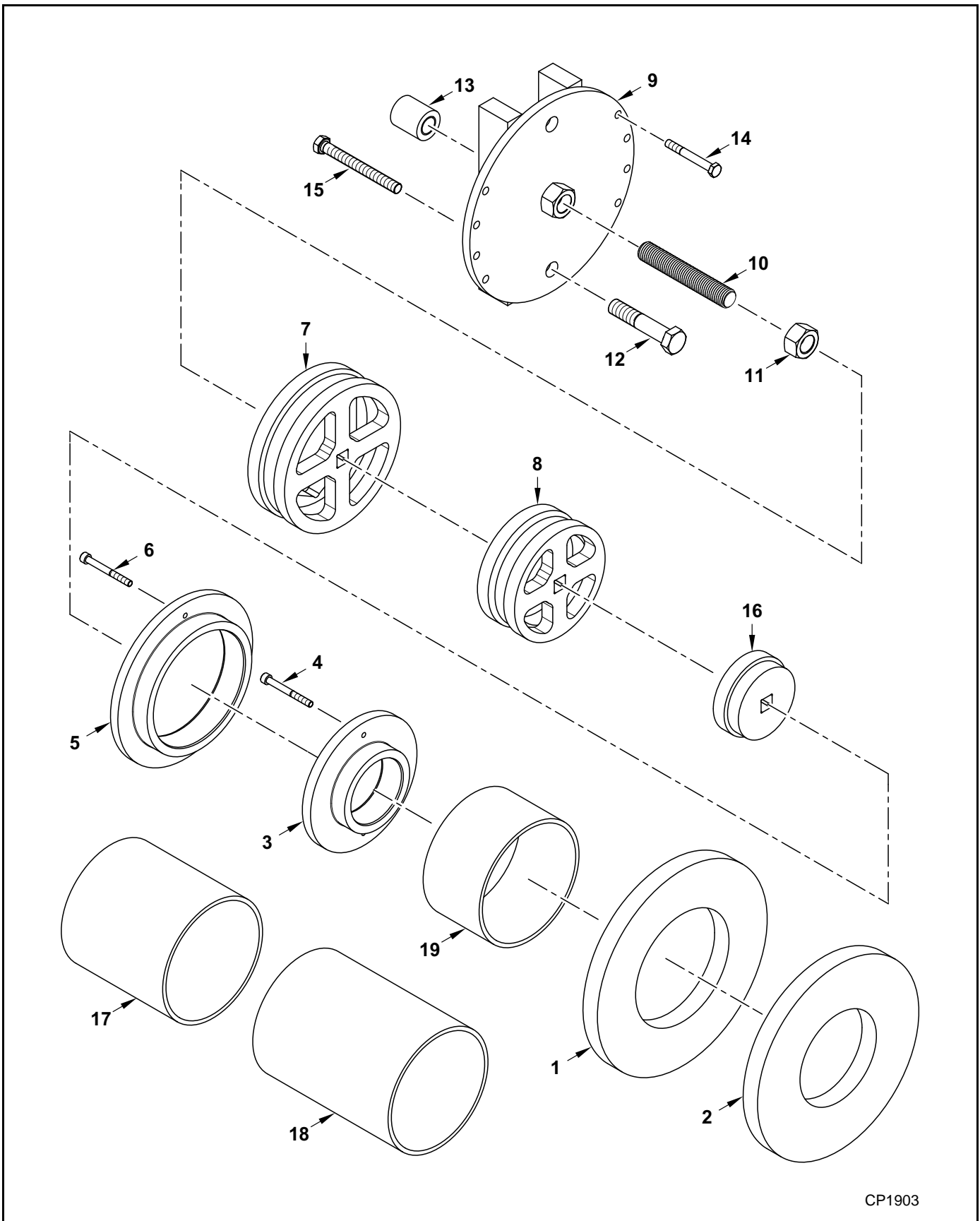
# FITMENT KIT - HIGH SPEED SYSTEM (CASE IH COMBINES)

Kit, Combine Fitment (265mm Axle Extensions)

(2K-0216)

Ref.	FN	Part Number	CTS Series	Qty.	Description
		2K-0285		1	KIT, Fitment, Includes items 1 - 19
1		2S-1746		1	BAR, Stabilizer
2		1001814		4	SPACER
3		1001815		4	SPACER
5		2F-0323		4	BOLT, Hex, M20 x50, CI10.9
6		2F-0275		4	WASHER, Contact
7		2S-1743-101		1	SPACER, LH
8		2S-1744-101		1	SPACER, RH
9		1002344		4	PIN, Guide
10		1002655		4	PIN, Guide
11		2F-0142		16	BOLT, Hex
12		2F-0464		24	BOLT, Hex
13		2F-0031		56	WASHER, M20
14		732610155		16	NUT, Hex, M20
15		1000957		1	HOSE, Pressure Gauge
16		2F-0304		1	WASHER, Copper, 13 x 19 x 1.5
17		2H-0193		1	COUPLER, Quick, Female, 1/4" BSPP
18		2F-0303		1	WASHER, Copper, 21 x 27 x 1.5
19		2H-0220		1	COUPLER, Quick, Male, 1/2" BSP

# Special Tools, CTS Service Tool Kit



# SPECIAL TOOLS

## CTS Service Tool Kit

Ref.	FN	Part Number	CTS Series	Qty.	Description
		2P-0181		1	KIT, CTS Service Tool, Includes items 1 - 17
1		2P-0095		1	SPACER, Large Seal Installation Plate
2		2P-0094		1	SPACER, Small Seal Installation Plate
		2P-0091		1	PLATE ASSY., Mounting, Includes items 4 & 5
3		2P-0081		1	PLATE, Mounting
4		2F-0257		2	BOLT, Hex, M8 x 75, CI 10.9
		2P-0092		1	PLATE ASSY., Mounting, Includes items 6 & 7
5		2P-0082		1	PLATE, Mounting
6		2F-0257		2	BOLT, Hex, M8 x 75, CI 10.9
7		2P-0083		1	SPACER ASSY.
8		2P-0084		1	SPACER ASSY.
		2P-0080		1	PLATE ASSY., Mounting, Includes items 10 - 16
9		2S-1257		1	PLATE, Mounting
		2M-0255		1	BOLT ASSY., Mounting Rod, Includes 11 & 12
10		2M-0254		1	BOLT, Mounting Rod, 6" x 1"
11		3F-0124		1	NUT, Hex, 1"
12		2F-0312		2	BOLT, Hex, M20 x 100, CI 10.9
13		2M-0236		1	SPACER, Swivel Pad 1"
14		2F-0441		8	BOLT, Hex, M10 x 80, CI 10.9
15		2F-0500		3	BOLT, Hex, M14 x 130, CI 10.9
16		2P-0085		1	SPACER ASSY.
17		2P-0103		1	BUSHING
18		2P-0104		1	BUSHING
19		2P-0105		1	BUSHING





