

PARTS MANUAL

CPB-441NA
2P-0066

Conversion Track Systems (CTS) For Tractors (North American Market)

Tractor Systems - 2 Mid-roller Axles without Suspension
24D18C S/N 988-2013 & Later

Tractor Systems, Rear - 2 Mid-roller Axles with Suspension
30D22MC / 30D23MC S/N 991-2013 & Later



TABLE OF CONTENTS

FOREWORD	4
Conversion Track System Specifications	4
Abbreviations	5
Location of Product Model and Serial Number (Identification plate)	5
Parts Ordering Procedure	5
FRONT AXLE SYSTEMS	1-2
Undercarriage & Track Tensioning	
S/N 988-2013 Thru TRE0216002	1-2
Undercarriage & Track Tensioning	
S/N TRE0216003 And Later	1-4
Sprocket & Undercarriage Spindle	
S/N 988-2013 Thru TRE0216002	1-6
Sprocket & Undercarriage Spindle	
S/N TRE0216003 and Later	1-8
Track Tensioning	
S/N 988-2013 Thru TRE0216002	1-10
Track Tensioning	
S/N TRE0216003 and Later	1-12
Track, Idler & Roller Wheels	
S/N 988-2013 Thru TRE0216002	1-14
Track, Idler & Roller Wheels	
S/N TRE0216003 and Later	1-16
Axle, Idler Wheel	
S/N 988-2013 Thru TRE0216002	1-18
Axle, Idler Wheel	
S/N TRE0216002 and Later	1-20
Axle, Roller Wheel	
S/N 988-2013 Thru TRE0216002	1-22
Axle, Roller Wheel	
S/N TRE0216003 and Later	1-24
Kit, Scraper	1-26
FRONT AXLE INSTALLATION KIT	2-2
New Holland T8 & CASE IH Magnum	2-2
John Deere 7R Series	2-4
John Deere 8R Series	
Suspended ILS Axle, 14 Inch Diameter Hub	2-6
John Deere 8R Series	
Suspended ILS Axle, 17 Inch Diameter Hub	2-8
John Deere 8R Series, 1500 Series Axle, 14 Inch Diameter Hub	2-10
John Deere 8R Series, 1500 Series Axle, 17 Inch Diameter Hub	2-12
Fendt 900 Series	
S/N TRE0216003 and Later	2-14

REAR AXLE SYSTEMS	3-2
Undercarriage Frame	
S/N 991-2013 and Later	3-2
Sprocket & Undercarriage Spindle	
S/N 991-2013 Thru TRE0216002	3-4
Sprocket & Undercarriage Spindle	
S/N TRE0216003 and Later	3-6
Track Tensioning - Cylinder & Linkage	
S/N 991-2013 Thru TRE0216002	3-8
Track Tensioning - Cylinder & Linkage	
S/N TRE0216003 and Later	3-10
Track Tensioning - Manifold & Accumulator	
S/N 991-2013 Thru TRE0216002	3-12
Track Tensioning - Manifold & Accumulator	
S/N TRE0216003 and Later	3-14
Track, Idler & Roller Wheels	
S/N 991-2013 Thru TRE0216002	3-16
Track, Idler & Roller Wheels	
S/N TRE0216003 and Later	3-18
Axle, Idler Wheel	
S/N 991-2013 Thru TRE0216002	3-22
Axle, Idler Wheel	
S/N TRE0216003 and Later	3-24
Axle, Roller Wheel	
S/N 991-2013 Thru TRE0216002	3-26
Axle, Roller Wheel	
S/N TRE0216002 and Later	3-28
Kit, Scraper	3-30
 REAR AXLE INSTALLATION KITS	 4-2
New Holland T8 & CASE IH Magnum	4-2
John Deere 7R Series	4-4
John Deere 8R Series	
S/N 90000 and Earlier	4-6
John Deere 8R Series	
S/N 90000 and Later	4-8
Fendt 900 Series	4-10
 SPECIAL TOOLS	 5-2
CTS Service Tool Kit	5-2

FOREWORD

Conversion Track System Specifications

Tractor System, Front - 2 Mid-roller Axles without Suspension (198" Track Length)

Model	Track Part Number	Track Width (in)	Track Length (in)	Wheel base (in)	Overall Length	Capacity per pair (lbs)
24D18C	B24BK02879	24	198	56.7	85.2	31,000

Tractor System, Rear - 2 Mid-roller Axles with Suspension (222" Track Length)

Model	Track Part Number	Track Width (in)	Track Length (in)	Wheel base (in)	Overall Length	Capacity per pair (lbs)
30D22MC	B30BL02880	30	222	56.7	85.2	50,000
30D23MC	B30BL02880	30	222	56.7	85.2	50,000




FOREWORD (CONT'D)

Abbreviations

- FN** - Footnote is a column in the parts list used to communicate information that directly effects the part it's lined up with. The number used will correspond with information located below the parts list.
- UAR** - Use As Required (UAR) is used in the quantity column indicating the number of parts used is determined by service needs.
- REF** - Reference used in the part number column indicates the part has special service information. The location of this information is often referenced in the description column.
- NSS** - Not Serviced Separately (NSS) in a part number column indicates the part is not available for service.

Location of Product Model and Serial Number (Identification plate)



 TIDUE srl 	
<small>Via Rossi, 37 - REMEDELLO (BS) - ITALY www.tidue.com</small>	
MODEL	<input type="text"/>
TYPE	<input type="text"/>
SERIAL NUMBER	<input type="text"/>
YEAR	<input type="text"/>
	

Identification Plate - 2013 and Earlier

CTS Serial Number Format

TRE 06 14 001

Model Month Year Sequential Number

 	
<small>Manufacturer: TIDUE s.r.l. Via Rossi, 37 - REMEDELLO (BS) - ITALY www.tidue.com - www.camoplastsistemas.com</small>	
MODEL	CTS <input type="text"/>
TYPE	<input type="text"/>
SERIAL NUMBER	<input type="text"/>
YEAR	20 <input type="text"/>
	

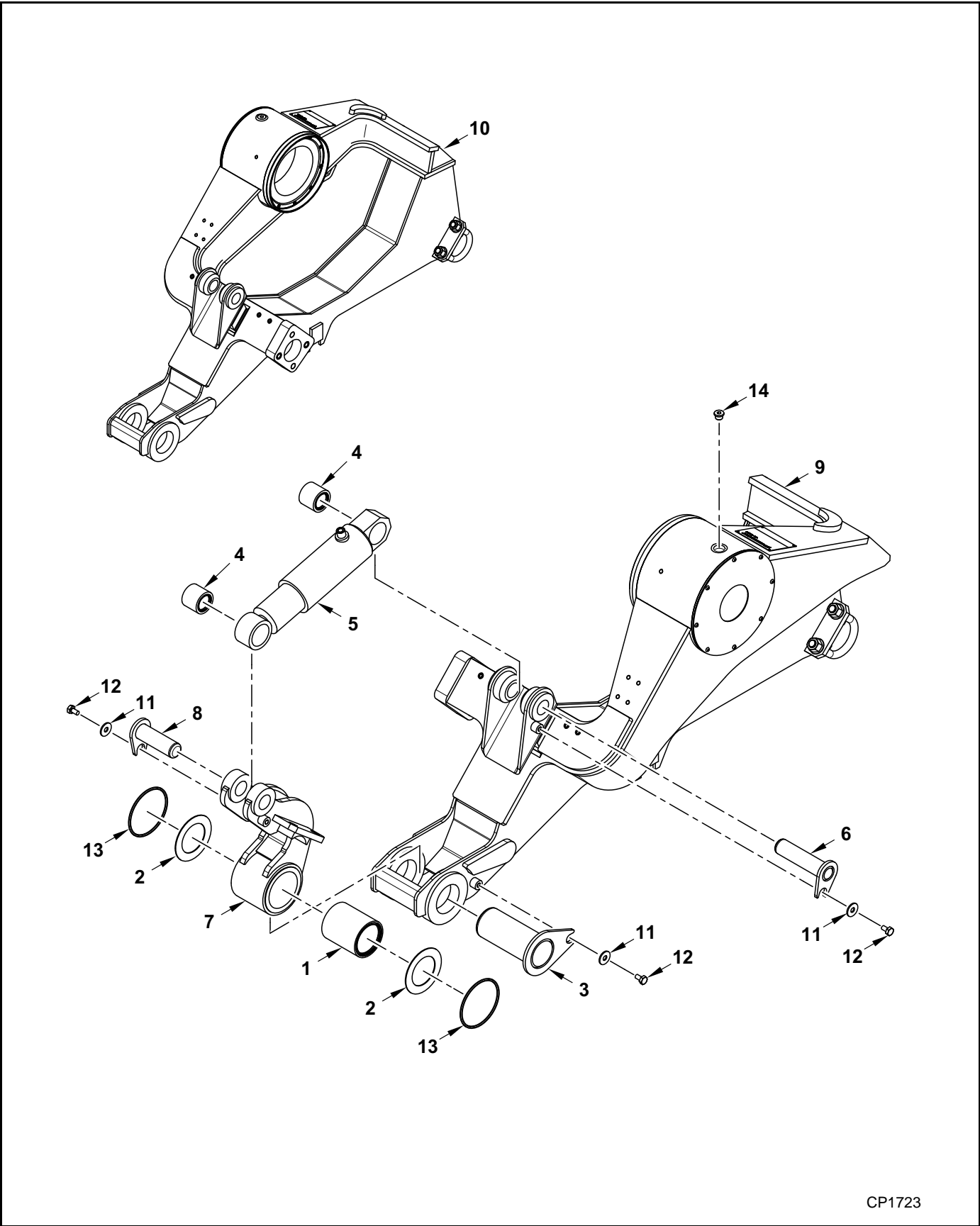
Identification Plate - 2014 and Later

Parts Ordering Procedure

When ordering parts for your Conversion Track System (CTS), please contact an authorized CTS system dealer in your area. If the parts are associated with a possible warranty claim, make sure that you contact the original dealer from which you purchased the CTS system. Make

sure to provide the CTS model, Serial number, Part number, Part description and quantity.

Undercarriage & Track Tensioning



CP1723

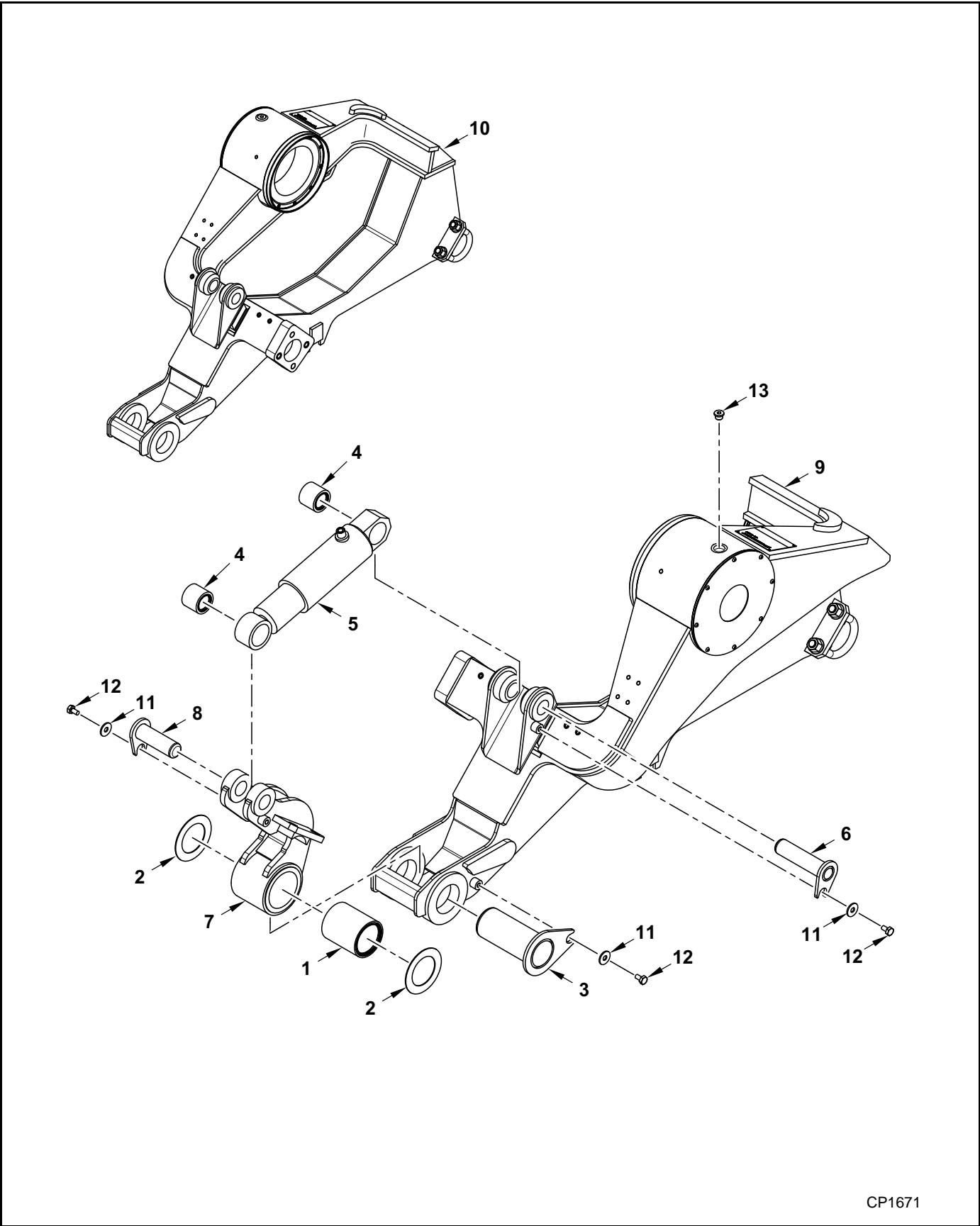
FRONT AXLE SYSTEMS

Undercarriage & Track Tensioning S/N 988-2013 Thru TRE0216002

(1000084-03Dec2012)

Ref.	FN	Part Number	CTS Series	Qty.	Description
1		1000399		1	BEARING, Sliding
2		1000400		2	SHIM
3		1000451		1	PIN, Rod, Undercarriage-Rod
4		1000462		2	BEARING, Sliding
5		1001300		1	TENSIONER
6		1001302		1	PIN, Tensioner Cylinder
7		1001406		1	ARM, Tensioner
8		1001413		1	PIN, Piston, Tensioner
9		1002142		1	FRAME, Undercarriage, RH
10		1002143		1	FRAME, Undercarriage, LH
11		2F-0272		3	WASHER, M12 Large
12		2F-0278		3	BOLT, Hex, M12 x 20, Cl 8.8
13		2J-0126		2	O-RING, 5 x 120
14		2H-0173		1	PLUG, 1/2" G

Undercarriage & Track Tensioning



CP1671

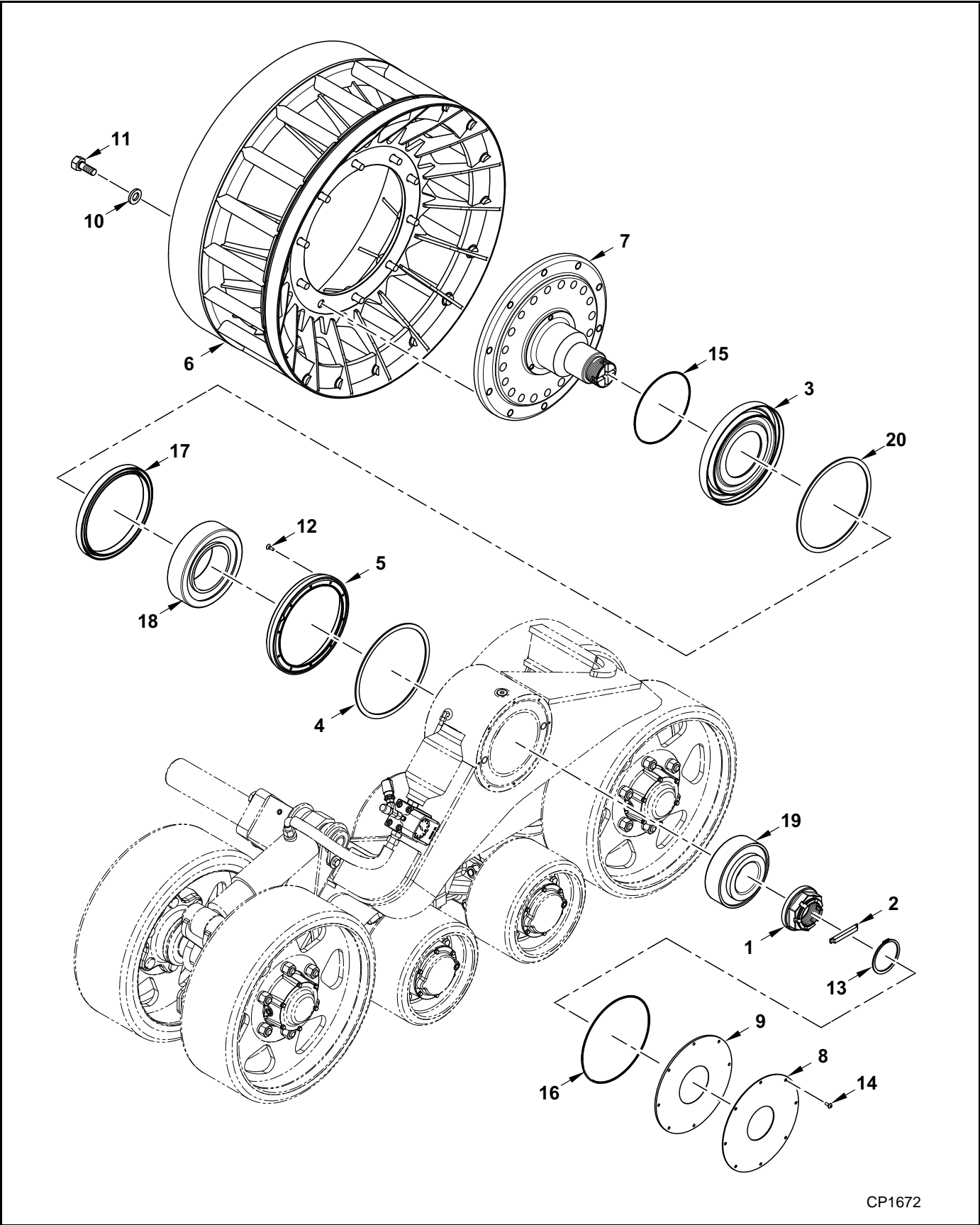
FRONT AXLE SYSTEMS

Undercarriage & Track Tensioning

S/N TRE0216003 And Later

Ref.	FN	Part Number	CTS Series	Qty.	Description
1		1000399		1	BEARING, Sliding
2		1000400		2	SHIM
3		1000451		1	PIN, Rod, Undercarriage-Rod
4		1000462		2	BEARING, Sliding
5		1001300		1	TENSIONER
6		1001302		1	PIN, Tensioner Cylinder
7		2C-2810-101		1	ARM, Tensioner
8		1001413		1	PIN, Piston, Tensioner
9		1002142		1	FRAME, Undercarriage, RH
10		1002143		1	FRAME, Undercarriage, LH
11		2F-0272		3	WASHER, M12 Large
12		2F-0278		3	BOLT, Hex, M12 x 20, Cl 8.8
13		2H-0173		1	PLUG, 1/2" G

Sprocket & Undercarriage Spindle



CP1672

FRONT AXLE SYSTEMS

Sprocket & Undercarriage Spindle

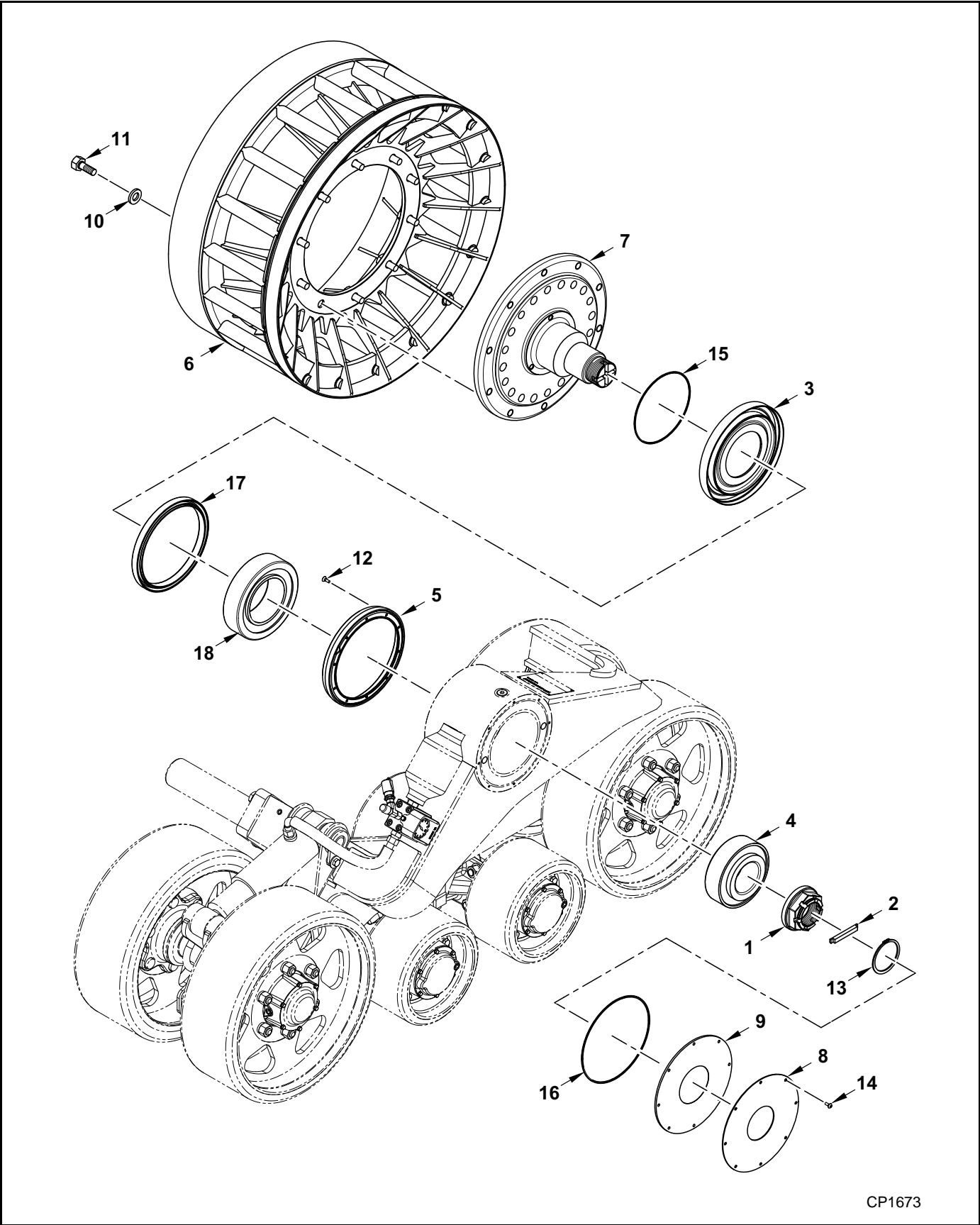
S/N 988-2013 Thru TRE0216002

(1000084-03Dec2012)

Ref.	FN	Part Number	CTS Series	Qty.	Description
1		1000113		1	NUT, Spindle
2		1000114		1	NUT, Lock, Spindle
3		2C-3167-101		1	BEARING, Shoulder
4	1	2C-3065-100		1	SPACER, Bearing, 228mm OD x 190mm ID x 1.9mm thk
5		1001268		1	SEAL, Site
6		1001362		1	SPROCKET
7		1001365		1	SPINDLE
8		2C-2156		1	COVER, Logo
9		1003153		1	COVER, Lexan
10		2F-0325		10	WASHER, Nord-lock, M20
11		2F-0287		10	BOLT, Hex, M20 x 40, CI 10.9
12		2F-0292		10	BOLT, Hex, M6 x 16
13		2F-0300		1	RING, Retaining
14		2F-0392		8	SCREW, M6 x 16
15		2J-0124		1	O-RING. 3.53 x 203
16		2J-0125		1	O-RING, 3.53 x 248
17		2J-0140		1	SEAL, Cassette, 235 x 270 x 22
18		2B-0170		1	BEARING
19		2B-0173		1	BEARING
20		1000197		1	SPACER, Nylon

1 - All units built prior to serial number TREXXXXXXX will need to have this spacer installed or bearing damage will occur.

Sprocket & Undercarriage Spindle



CP1673

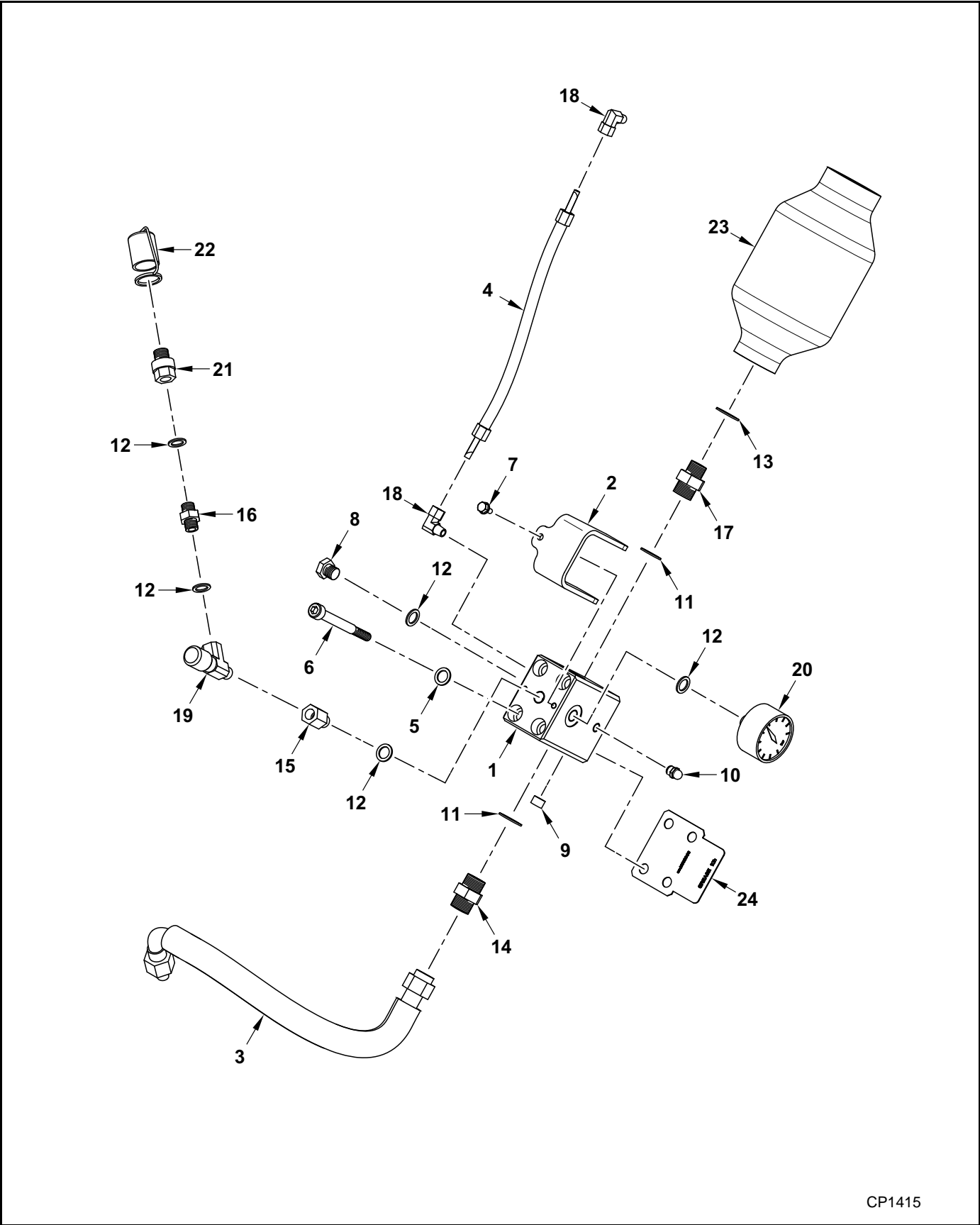
FRONT AXLE SYSTEMS

Sprocket & Undercarriage Spindle S/N TRE0216003 and Later

(1000084-03Dec2012)

Ref.	FN	Part Number	CTS Series	Qty.	Description
1		1000113		1	NUT, Spindle
2		1000114		1	NUT, Lock, Spindle
3		2C-3167-101		1	BEARING, Shoulder
4		2B-0173		1	BEARING
5		1001268		1	SEAL, Site
6		1001362		1	SPROCKET
7		1001365		1	SPINDLE
8		2C-3101-100		1	COVER, Logo
9		1003153		1	COVER, Lexan
10		2F-0325		10	WASHER, Nord-lock, M20
11		2F-0287		10	BOLT, Hex, M20 x 40, CI 10.9
12		2F-0292		10	BOLT, Hex, M6 x 16
13		2F-0300		1	RING, Retaining
14		2F-0392		8	SCREW, M6 x 16
15		2J-0124		1	O-RING. 3.53 x 203
16		2J-0125		1	O-RING, 3.53 x 248
17		2J-0140		1	SEAL, Cassette, 235 x 270 x 22
18		2B-0170		1	BEARING

Track Tensioning



CP1415

FRONT AXLE SYSTEMS

Track Tensioning
S/N 988-2013 Thru TRE0216002

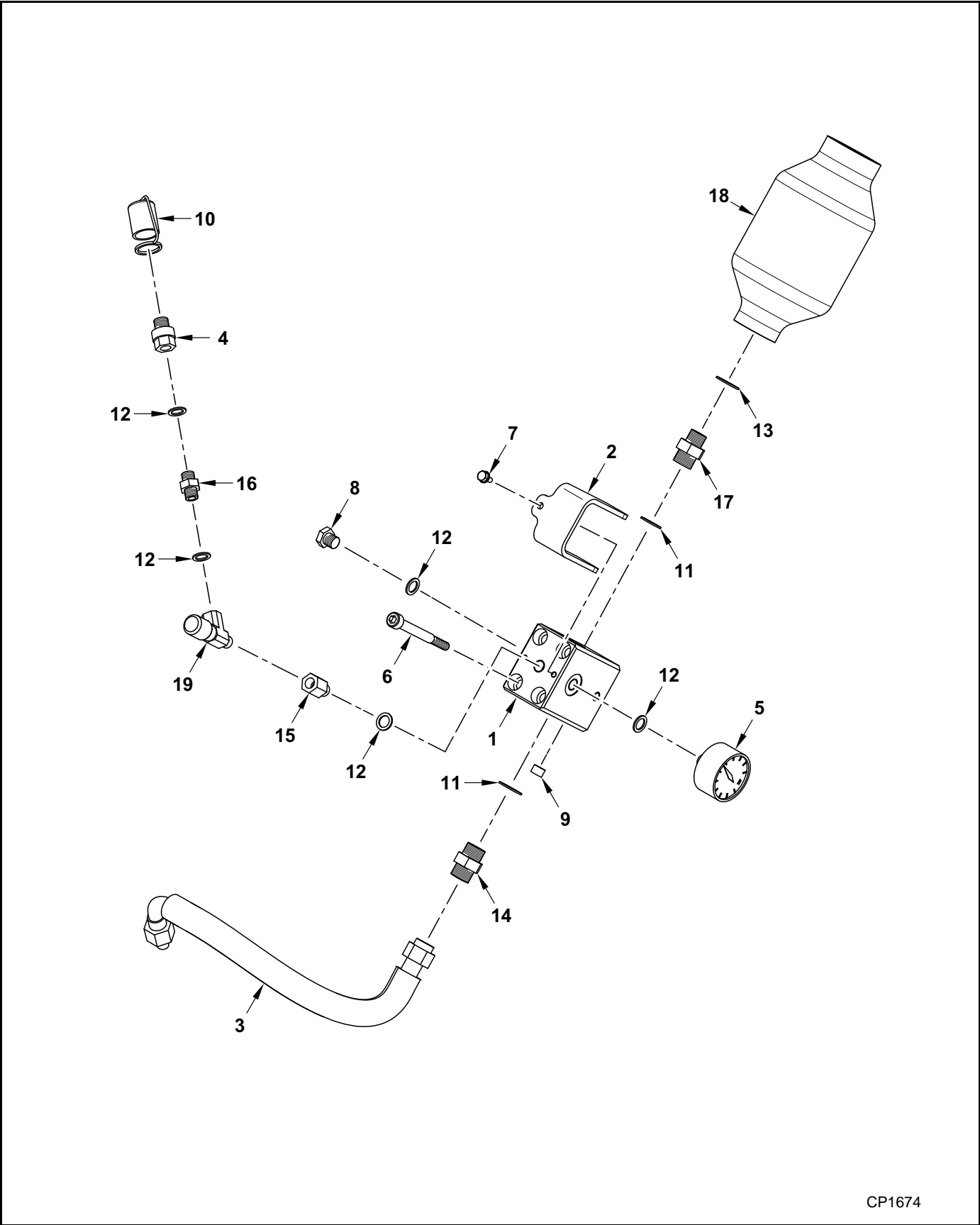
(1000084-03Dec2012)

Ref.	FN	Part Number	CTS Series	Qty.	Description
1		1002036		1	MANIFOLD
2		1000573		1	COVER, Manifold
3		1001309		1	HOSE, Tensioner
4		1001368		1	HOSE, Greaser
5	1	2F-0270		4	WASHER, M10
6	1	2F-0291		4	BOLT, Hex Socket, M10 x 100, CI 8.8
	2	2F-0316		4	BOLT, Hex Socket, M10 x 70, CI 8.8
7		2F-0295		1	BOLT, Hex Flg., M6 X 12, CI 8.8
8		2H-0175		1	PLUG, 1/4" BSP
9		2H-0177		1	PLUG, M10
10		2H-0179		1	FITTING, Grease, M10 x 1
11		2F-0303		2	WASHER, G1/2"
12		2F-0304		5	WASHER, G1/4"
13		2F-0306		1	WASHER, M18
14		2H-0180		1	FITTING
15		2H-0182		1	FITTING
16		2H-0181		1	FITTING
17		2H-0184		1	FITTING
18		2H-0187		2	FITTING, 90°
19		2H-0188		1	VALVE
20		2H-0190		1	GAUGE, Pressure
21		2H-0191		1	FASTENER, Male, 1/4" BSP
22		2H-0192		1	PLUG, Fastener, 1/4" BSP
23		2H-0194		1	ACCUMULATOR, Nitrogen
24		1003998		1	BRACKET, Mounting, Accumulator

1 - BTW 988-2013 and MY2015

2 - MY2015 and Later

Track Tensioning



CP1674

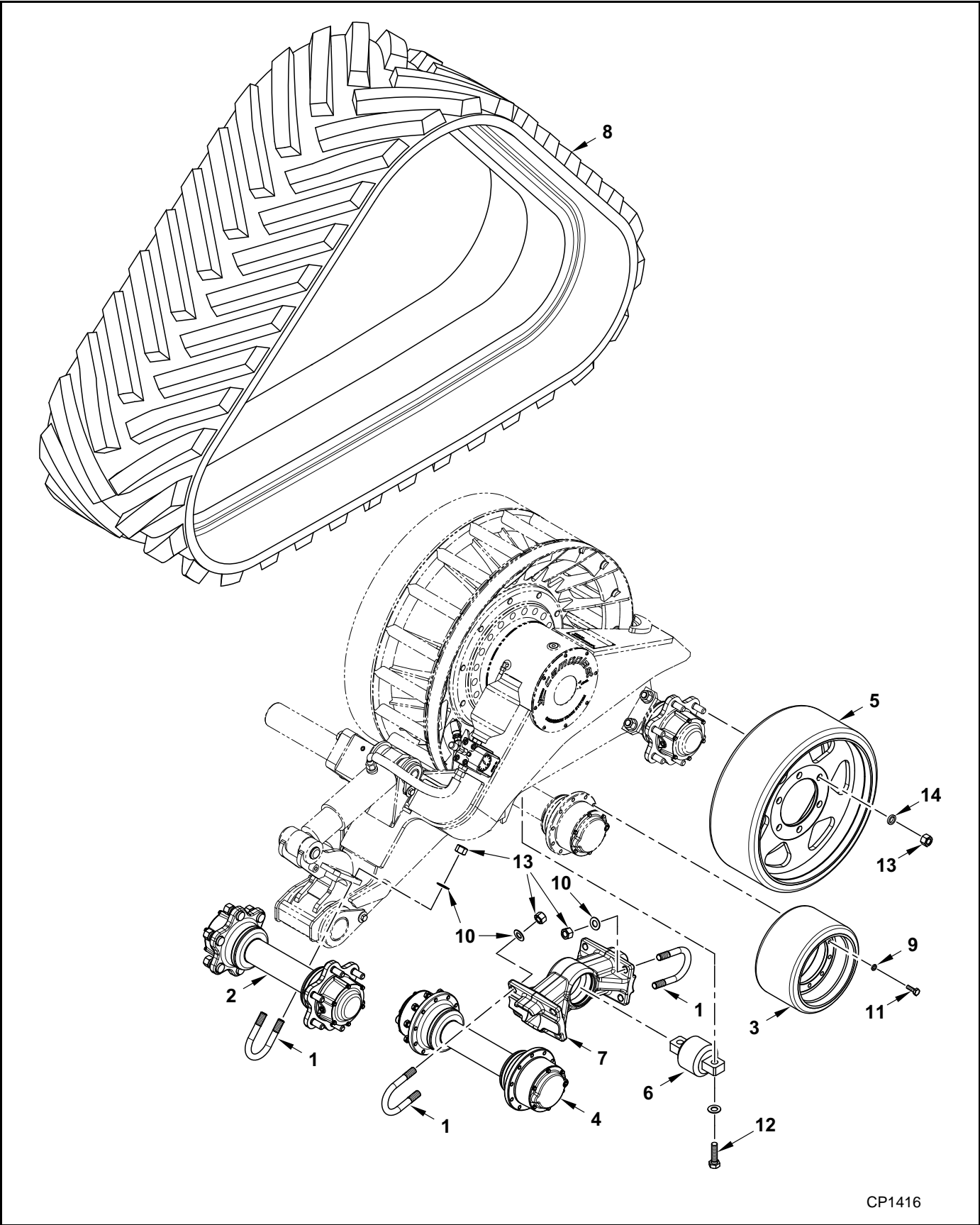
FRONT AXLE SYSTEMS

Track Tensioning
S/N TRE0216003 and Later

(1000084-03Dec2012)

Ref.	FN	Part Number	CTS Series	Qty.	Description
1		1002036		1	MANIFOLD
2		1000573		1	COVER, Manifold
3		1001309		1	HOSE, Tensioner
4		2H-0191		1	FASTENER, Male, 1/4" BSP
5		2H-0190		1	GAUGE, Pressure
6		2F-0316		4	BOLT, Hex Socket, M10 x 70, CI 8.8
7		2F-0295		1	BOLT, Hex Flg., M6 X 12, CI 8.8
8		2H-0175		1	PLUG, 1/4" BSP
9		2H-0177		2	PLUG, M10
10		2H-0192		1	PLUG, Fastener, 1/4" BSP
11		2F-0303		2	WASHER, G1/2"
12		2F-0304		5	WASHER, G1/4"
13		2F-0306		1	WASHER, M18
14		2H-0180		1	FITTING
15		2H-0182		1	FITTING
16		2H-0181		1	FITTING
17		2H-0184		1	FITTING
18		2H-0194		1	ACCUMULATOR, Nitrogen
19		2H-0188		1	VALVE

Track, Idler & Roller Wheels



CP1416

FRONT AXLE SYSTEMS

Track, Idler & Roller Wheels S/N 988-2013 Thru TRE0216002

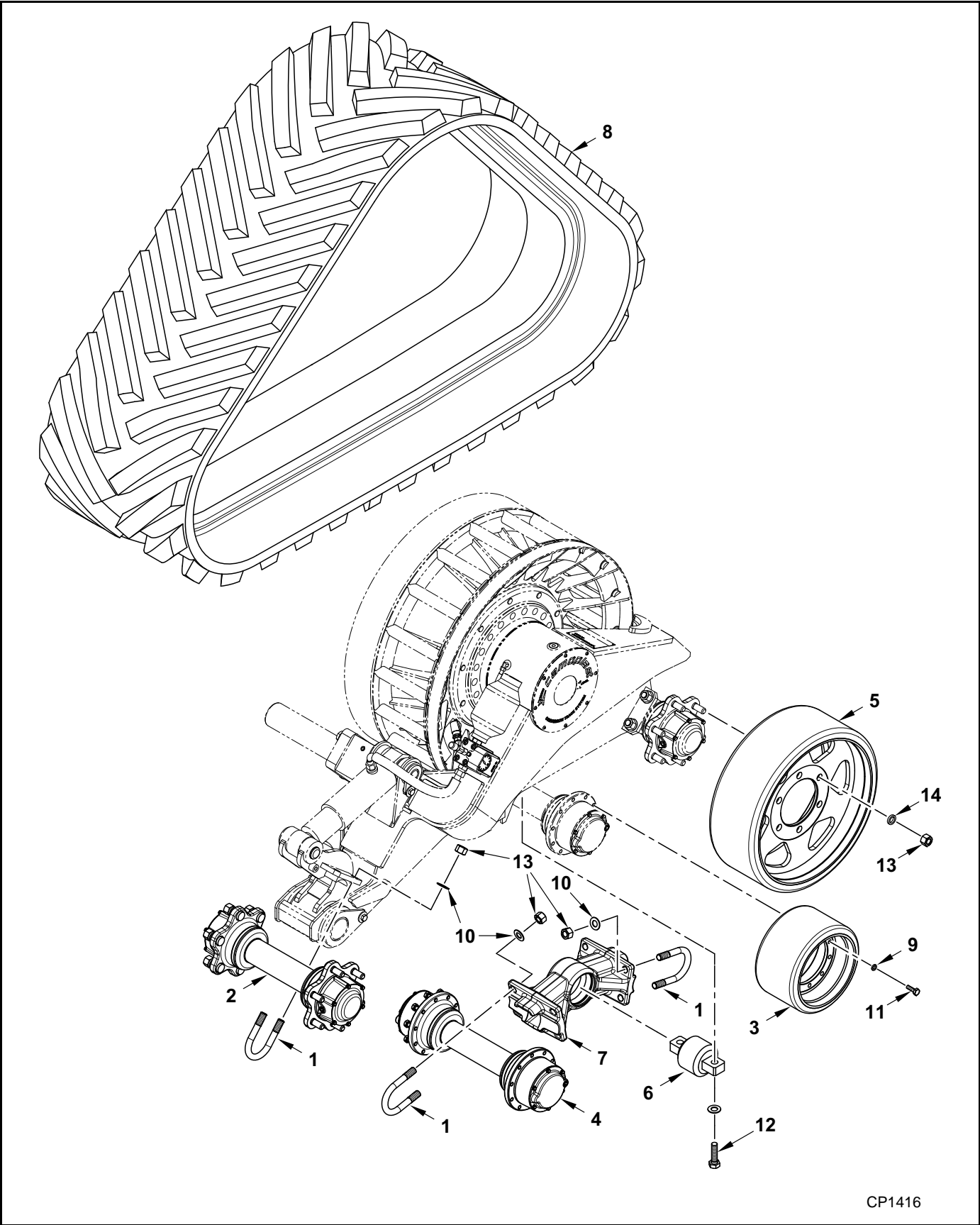
(1000084-03Dec2012)

Ref.	FN	Part Number	CTS Series	Qty.	Description
1		1000119		8	U-BOLT
2		1000132		2	AXLE ASSY., Idler Wheel, 24" Track, See page 1-18
3	1	1000175		4	WHEEL, Roller, PU, 24" Track
	2	1000147		4	WHEEL, Roller, Rubber, 24" Track
4		1000167		2	AXLE ASSY., Roller Wheel, 24" Track, See page 1-22
5		1000796		4	WHEEL, Ider, 24" Track
		1001026COMPL		4	ARM ASSY., Pivot, Includes items 6 & 7
6		NSS		1	JOINT, Rubber
7		NSS		1	ARM, Pivot
8		B24BK02879		1	TRACK, Rubber, 24" Wide
9		2F-0326		40	WASHER, Nord-lock, M12
10		2F-0275		28	WASHER, Contact, M20
11		2F-0282		40	BOLT, Hex, M12 x 35, CI 10.9
12		2F-0289		2	BOLT, Hex, M20 x 70, CI 10.9
13		2F-0296		28	NUT, Hex, M20
14		2F-0325		24	WASHER, Nord-lock, M20

1 - Heavy Duty Wheel

2 - Standard Wheel

Track, Idler & Roller Wheels



CP1416

FRONT AXLE SYSTEMS

Track, Idler & Roller Wheels S/N TRE0216003 and Later

(1000084-03Dec2012)

Ref.	FN	Part Number	CTS Series	Qty.	Description
1		1000119		8	U-BOLT
2	3	1000132		2	AXLE ASSY., Idler Wheel, 24" Track, See page 1-18
	4	2A-1314-101		2	AXLE ASSY., Idler Wheel, 24" Track (8 bolt hole), See page 1-20
3	1	1000175		4	WHEEL, Roller, PU, 24" Track
	2	1000147		4	WHEEL, Roller, Rubber, 24" Track
4		1000167		2	AXLE ASSY., Roller Wheel, 24" Track, See page 1-22
5	3	1000796		4	WHEEL, Idler, 24" Track
	4	5W-0375		4	WHEEL, Idler, 24" Track (8 bolt hole)
		1001026COMPL		4	ARM ASSY., Pivot, Includes items 6 & 7
6		NSS		1	JOINT, Rubber
7		NSS		1	ARM, Pivot
8		B24BK02879		1	TRACK, Rubber, 24" Wide
9		2F-0326		40	WASHER, Nord-lock, M12
10		2F-0275		28	WASHER, Contact, M20
11		2F-0282		40	BOLT, Hex, M12 x 35, CI 10.9
12		2F-0289		2	BOLT, Hex, M20 x 70, CI 10.9
13	3	2F-0296		28	NUT, Hex, M20
	4	2F-0296		36	NUT, Hex, M20
14	3	2F-0325		24	WASHER, Nord-lock, M20
	4	2F-0325		32	WASHER, Nord-lock, M20

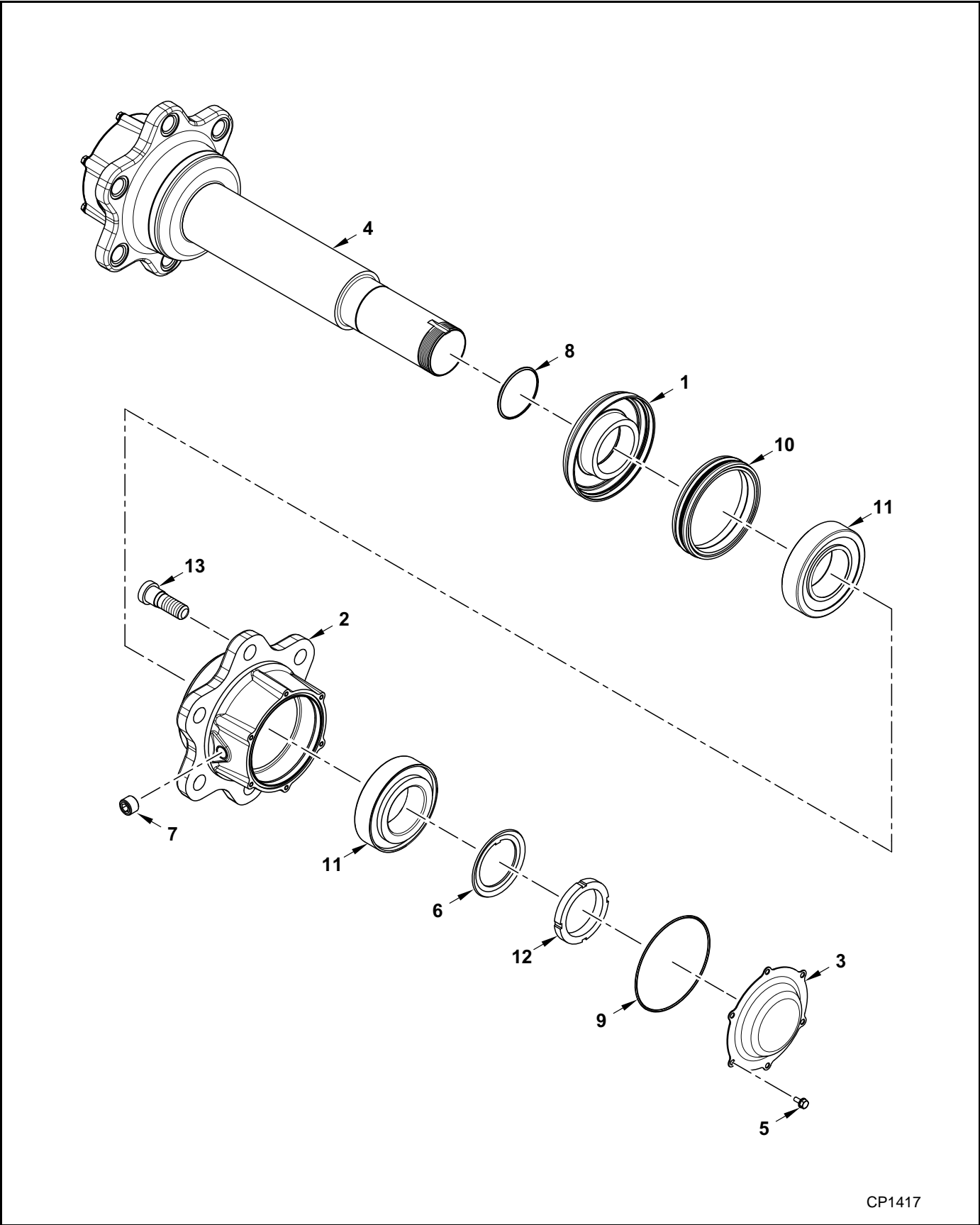
1 - Heavy Duty Wheel

2 - Standard Wheel

3 - Used on track systems built Prior to S/N TRE0216003.

4 - Used on track systems built After S/N TRE1116008.

Axle, Idler Wheel



CP1417

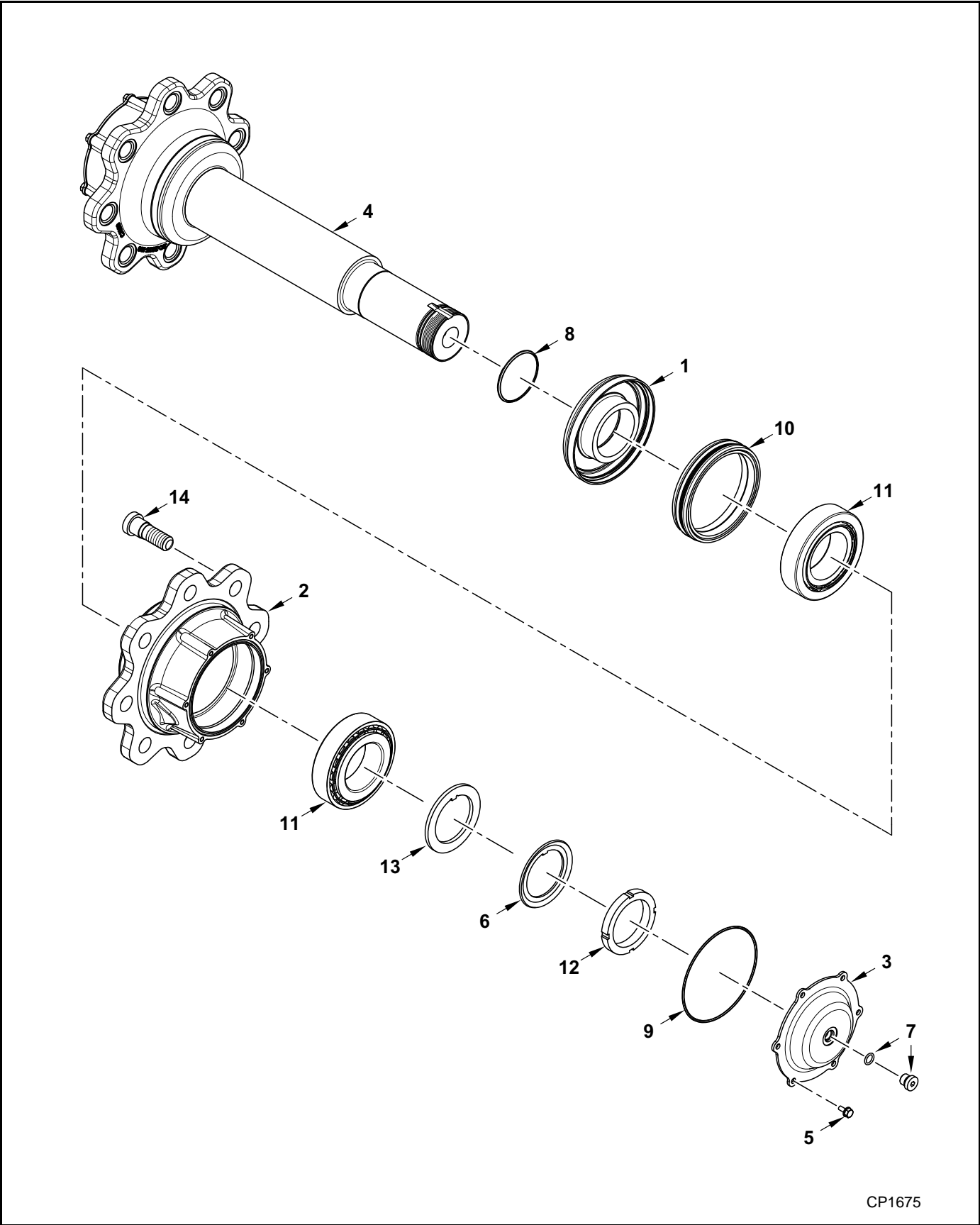
FRONT AXLE SYSTEMS

Axle, Idler Wheel
S/N 988-2013 Thru TRE0216002

(1000084-03Dec2012)

Ref.	FN	Part Number	CTS Series	Qty.	Description
		1000132		2	AXLE ASSY., Idler Wheel, 24" Track, Includes items 1 - 12
1		1000122		2	RING, Axle Collar
2		1000128		2	HUB
3		1000129		2	CAP, Hub
4		1000133		1	AXLE, Idler
5		2F-0295		12	BOLT, Hex Flg., M6 x 12, CI 10.9
6		2F-0302		2	WASHER, Lock, M65
7		2H-0176		2	PLUG, 3/8" BSP
8		2J-0122		2	O-RING, 2.50 x 65
9		2J-0123		2	O-RING, 2.62 x 126
10		2J-0129		2	SEAL, Mechanical
11		2B-0171		4	BEARING, Taper Roller, 65 x 120 x 32.750
12		2F-0301		2	NUT, Lock, M65
13		2F-0298		12	BOLT, Stud, M20 x 60, CI 10.9

Axle, Idler Wheel



CP1675

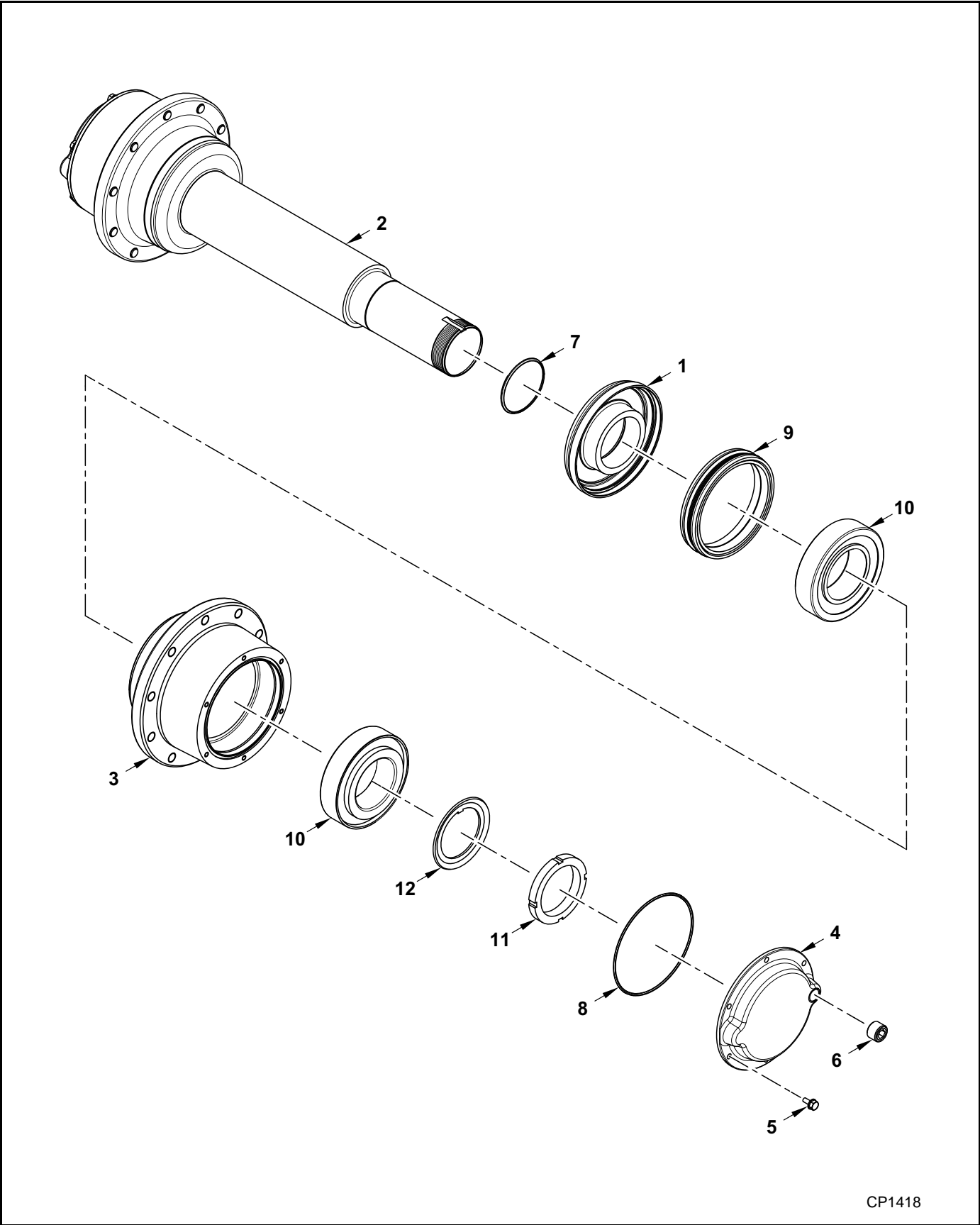
FRONT AXLE SYSTEMS

Axle, Idler Wheel
S/N TRE0216002 and Later

(1000084-03Dec2012)

Ref.	FN	Part Number	CTS Series	Qty.	Description
		2A-1314-100		2	AXLE ASSY., Idler Wheel, 24" Track, Includes items 1 - 13
1		1000122		2	RING, Axle Collar
2		2C-2825-100		2	HUB
3		2C-2956-100		2	CAP, Hub
4		2C-2951-100		1	AXLE, Idler
5		2F-0295		12	BOLT, Hex Flg., M6 x 12, CI 10.9
6		2F-0302		2	WASHER, Lock, M65
7		2H-0243		2	PLUG, M14
8		2J-0122		2	O-RING, 2.50 x 65
9		2J-0123		2	O-RING, 2.62 x 126
10		2J-0129		2	SEAL, Mechanical
11		2B-0171		4	BEARING, Taper Roller
12		2F-0301		2	NUT, Lock, M65
13		2C-2923-100		2	WASHER, Locking Tab
14		2F-0298		12	BOLT, Stud, M20 x 60, CI 10.9

Axle, Roller Wheel



CP1418

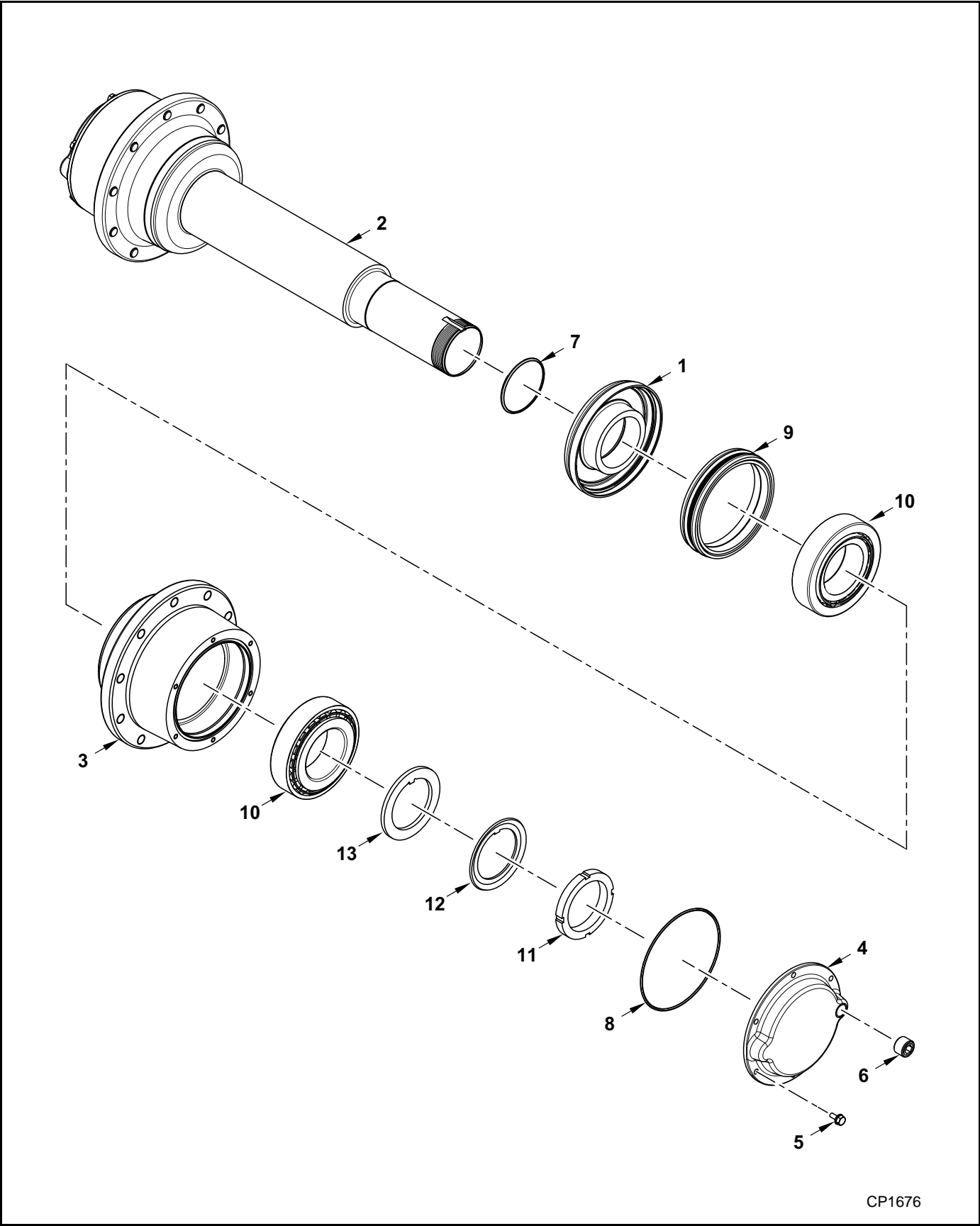
FRONT AXLE SYSTEMS

Axle, Roller Wheel
S/N 988-2013 Thru TRE0216002

(1000132-03Dec2007)

Ref.	FN	Part Number	CTS Series	Qty.	Description
		1000167		2	AXLE ASSY., Roller Wheel, 24" Track, Includes items 1 - 12
1		1000122		2	RING, Collar
2		1000133		1	AXLE
3		1000168		2	HUB
4		1000169		2	CAP, Hub
5		2F-0295		12	BOLT, Hex Flg., M6 x 12, Cl 8.8
6		2H-0176		2	PLUG, 3/8" BSP
7		2J-0122		2	O-RING, 2.50 x 65
8		2J-0123		2	O-RING, 2.62 x 126
9		2J-0129		2	SEAL, Mechanical Face
10		2B-0171		4	BEARING, Taper Roller, 65 x 120 x 32.750
11		2F-0301		2	NUT, Lock, M65
12		2F-0302		2	WASHER, Lock, M65

Axle, Roller Wheel



CP1676

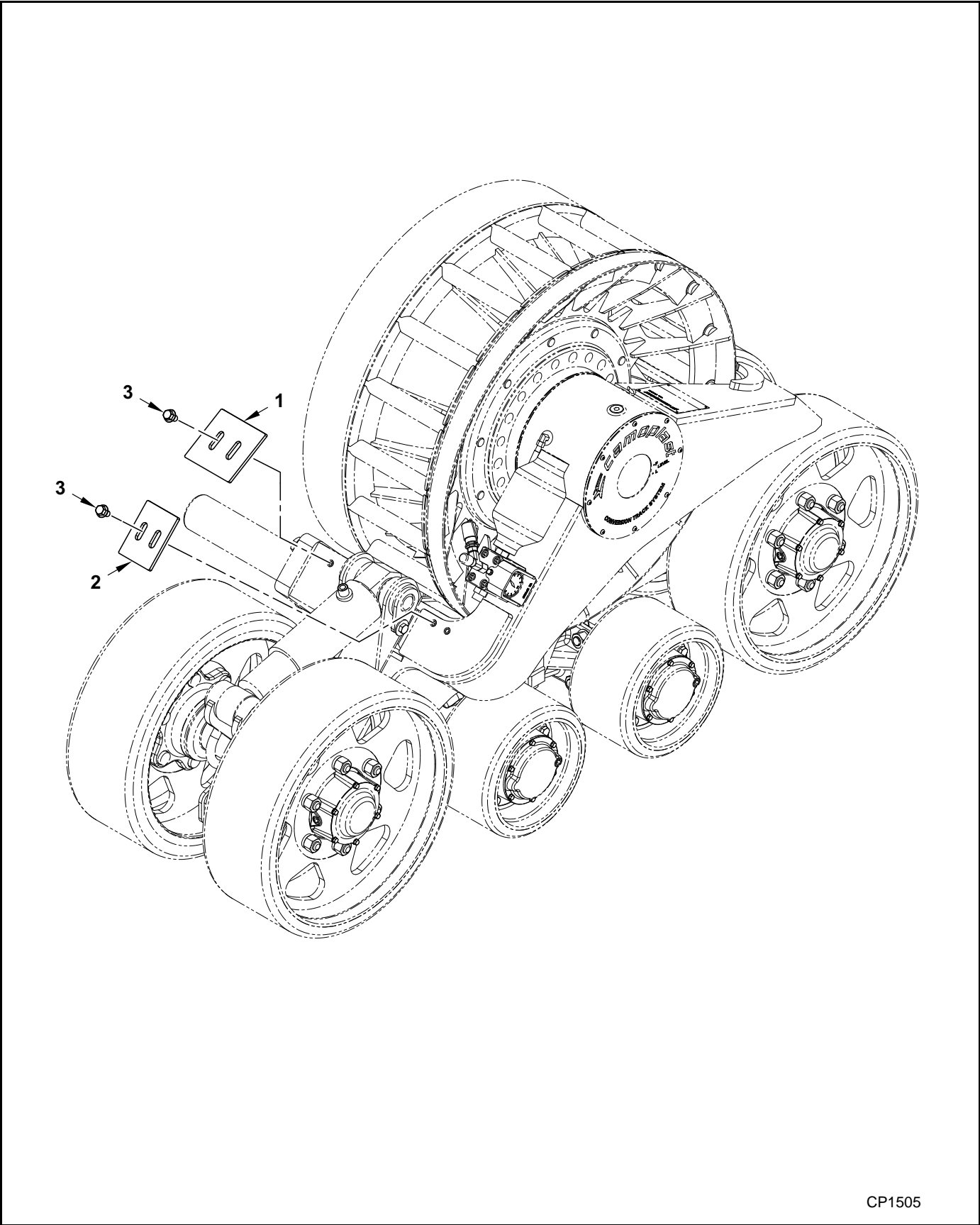
FRONT AXLE SYSTEMS

**Axle, Roller Wheel
S/N TRE0216003 and Later**

(1000132-03Dec2007)

Ref.	FN	Part Number	CTS Series	Qty.	Description
		2A-1312-101		2	AXLE ASSY., Roller Wheel, 24" Track, Includes items 1 - 13
1		1000122		2	RING, Collar
2		2C-2951-100		1	AXLE
3		2C-2952-100		2	HUB
4		1000169		2	CAP, Hub
5		2F-0295		12	BOLT, Hex Flg., M6 x 12, Cl 8.8
6		2H-0176		2	PLUG, 3/8" BSP
7		2J-0122		2	O-RING, 2.50 x 65
8		2J-0123		2	O-RING, 2.62 x 126
9		2J-0129		2	SEAL, Mechanical Face
10		2B-0171		4	BEARING, Taper Roller
11		2F-0301		2	NUT, Lock, M65
12		2F-0302		2	WASHER, Lock, M65
13		2C-2923-100		2	WASHER, Locking Tab

Kit, Scraper



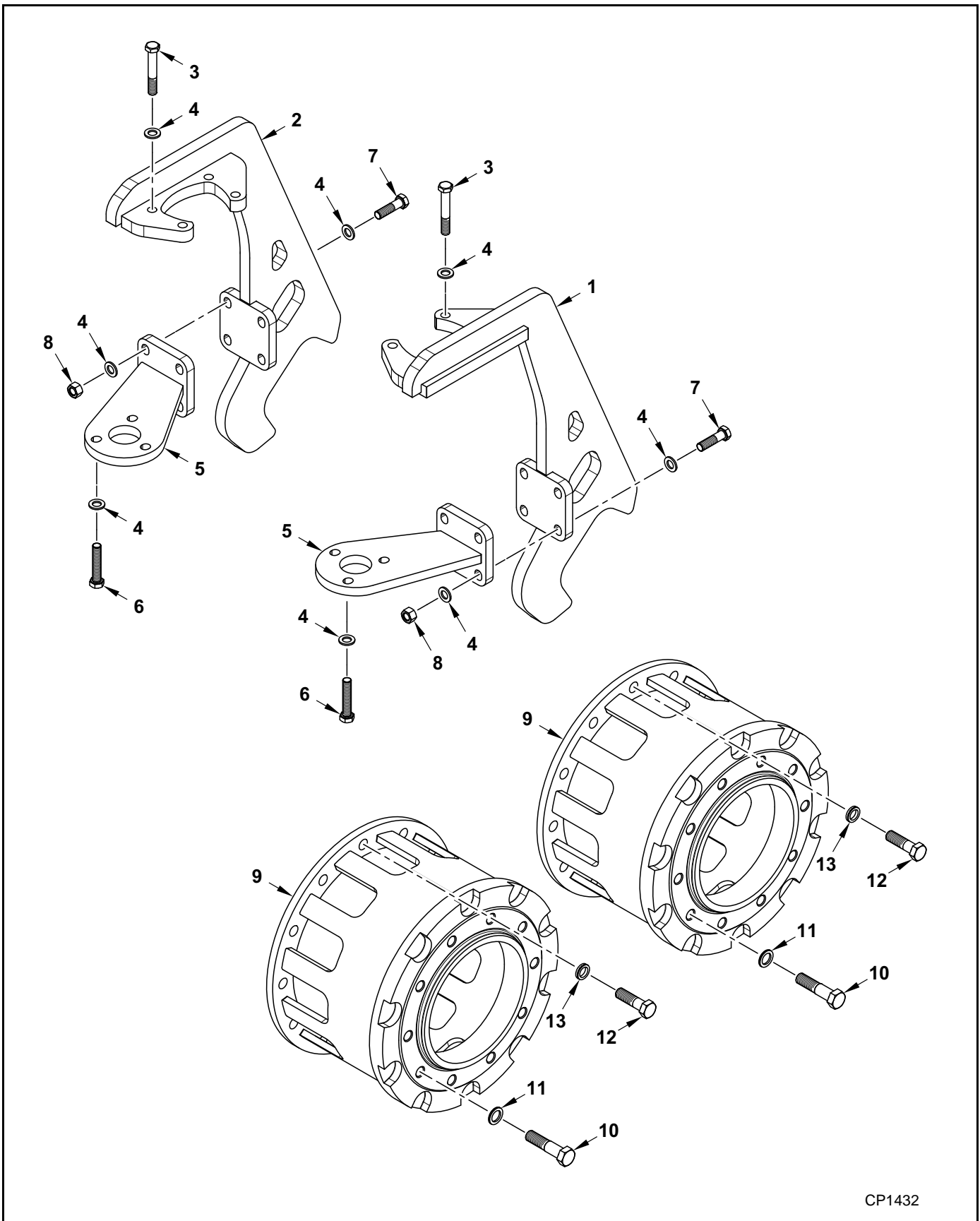
CP1505

FRONT AXLE SYSTEMS

Kit, Scraper

Ref.	FN	Part Number	CTS Series	Qty.	Description
		2K-0104	24D18C	1	KIT, Scraper, Mud, Includes items 1 - 3
1		2C-2761		1	PLATE, Scraper, Outboard
2		2C-2760		1	PLATE, Scraper, Inboard
3		2F-0079		4	BOLT, Hex Flg.

Kit, Front Axle Installation (New Holland T8 & CASE IH Magnum)



CP1432

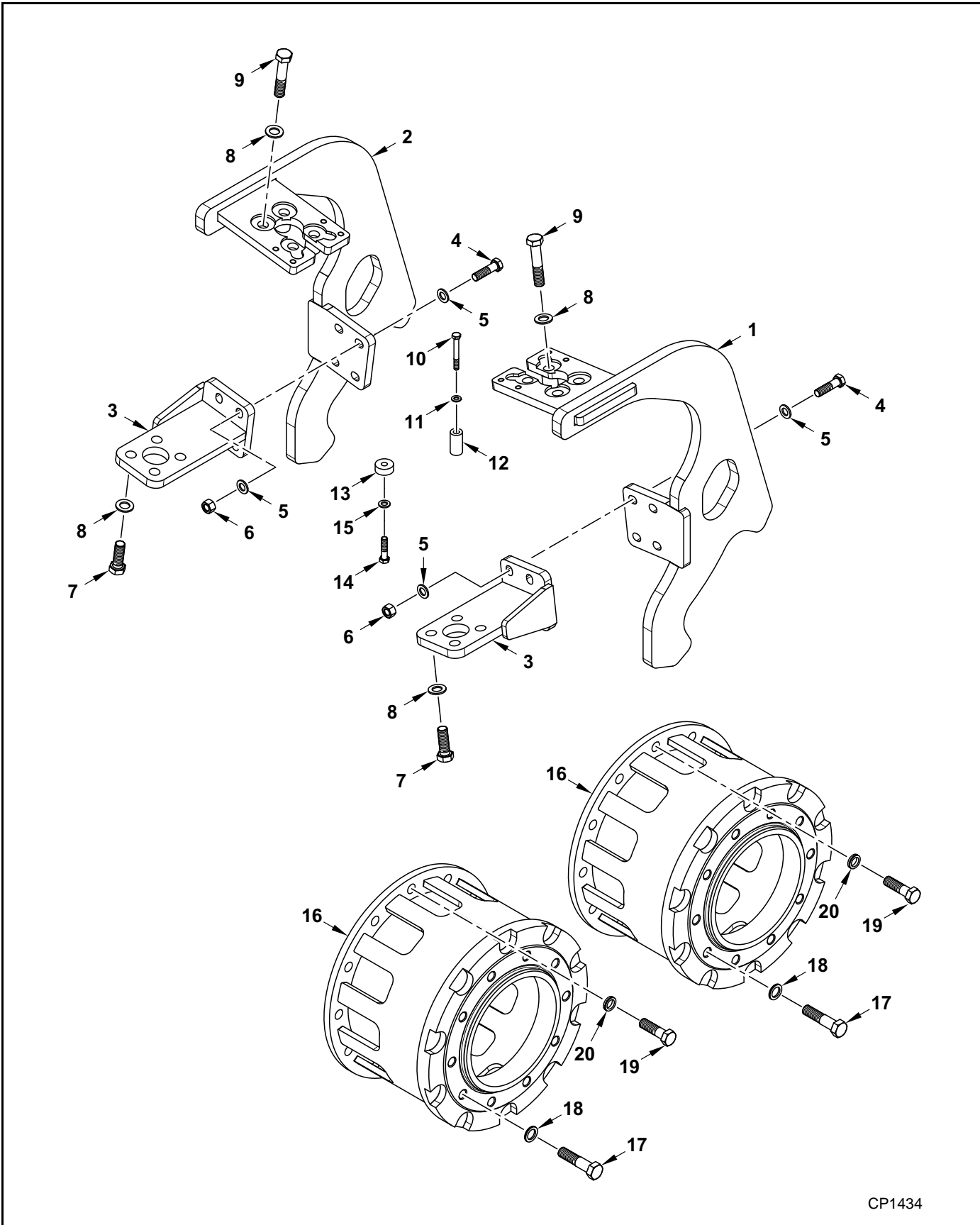
FRONT AXLE INSTALLATION KIT

New Holland T8 & CASE IH Magnum

(2A-1105-100 & 2A-1053-100)

Ref.	FN	Part Number	CTS Series	Qty.	Description
		2K-0088		1	KIT, Axle Installation, Front, Includes items 1- 13
		2A-1105-100		1	KIT, Anti-rotation, Front, Includes items 1 - 8
1		2S-0479		1	BRACKET, Anti-rotation, LH, Front
2		2S-0481		1	BRACKET, Anti-rotation, RH, Front
3		2F-0368		8	BOLT, Hex, M16 x 100, CI 10.9
4		2F-0112		30	WASHER, M16
5		2S-0480		2	BRACKET, Mounting, Lower
6		2F-0421		6	BOLT, Hex, M16 x 80, CI 10.9
7		2F-0064		8	BOLT, Hex, M16 x 60, CI 10.9
8		2F-0310		8	NUT, Hex, M16, CI 10
		2A-1053-100		1	KIT, Adapter, Front, Includes items 9 - 13
9		2S-0392		2	HUB, Adapter, Front, 12 Stud
10		2F-0444		20	BOLT, Hex, M22 x 90, CI 10.9
11		2F-0392		20	WASHER, Nord-lock, Steel, M22
12		2F-0425		24	BOLT, Hex, M20 x 70, CI 10.9
13		2F-0325		24	WASHER, Nord-lock, M20

Kit, Front Axle Installation (John Deere 7R Series)



CP1434

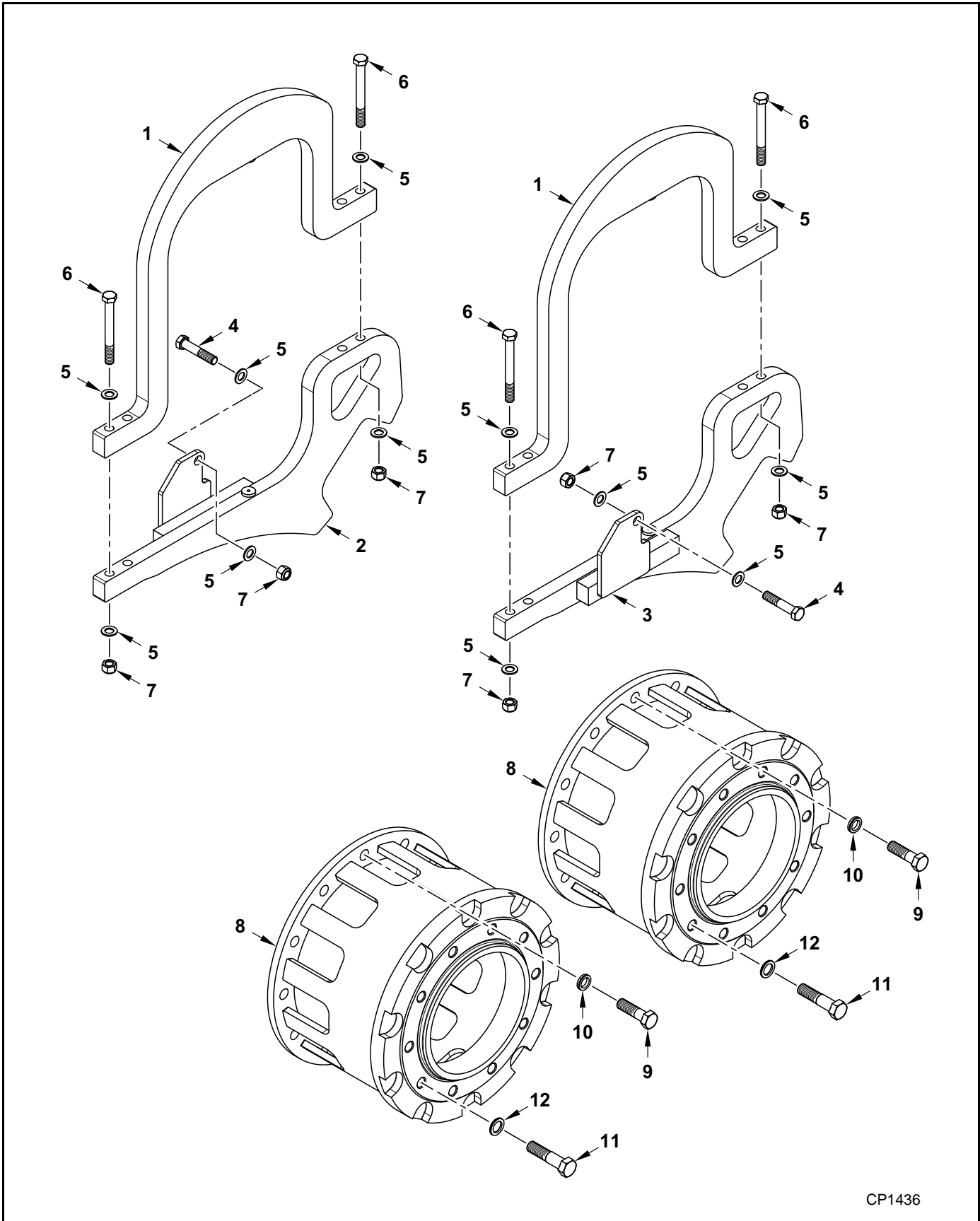
FRONT AXLE INSTALLATION KIT

John Deere 7R Series

(2A-1136-100 & 2A-1053-100)

Ref.	FN	Part Number	CTS Series	Qty.	Description
		2K-0086		1	KIT, Axle Installation, Front Axle CTS, Includes items 1- 20
		2A-1136-100		1	KIT, Anti-rotation, Front, Includes items 1 - 15
1		2S-0501		1	BRACKET, Anti-rotation, RH, Front
2		2S-0499		1	BRACKET, Anti-rotation, LH, Front
3		2S-0500		2	BRACKET, Mounting, Lower Attachments
4		2F-0064		8	BOLT, Hex, M16 x 60, CI 10.9
5		2F-0112		16	WASHER, M16
6		2F-0310		8	NUT, Hex, M16, CI 10.9
7		2F-0107		8	BOLT, Hex, M20 x 60, CI 10.9
8		2F-0031		16	WASHER, M20
9		2F-0069		8	BOLT, Hex, M20 x 100, CI 10.9
10		2F-0441		8	BOLT, Hex, M10 x 80, CI 10.9
11		2F-0083		8	WASHER, M10
12		2C-2731-100		8	SPACER, Fender
13		2C-2732-100		2	SPACER, Fender Stopper
14		2F-0102		2	BOLT, Hex, M12 x 50, CI 10.9
15		2F-0265		2	WASHER, M12
		2A-1053-100		1	KIT, Hub Adapter, Front Axle, Includes items 16 - 20
16		2S-0392		2	HUB, Adapter, Front, 12 Stud
17		2F-0444		20	BOLT, Hex, M22 x 90, CI 10.9
18		2F-0392		20	WASHER, Nord-lock, Steel, M22
19		2F-0425		24	BOLT, Hex, M20 x 70, CI 10.9
20		2F-0325		24	WASHER, Nord-lock, M20

Kit, Front Axle Installation (John Deere 8R Series)



CP1436

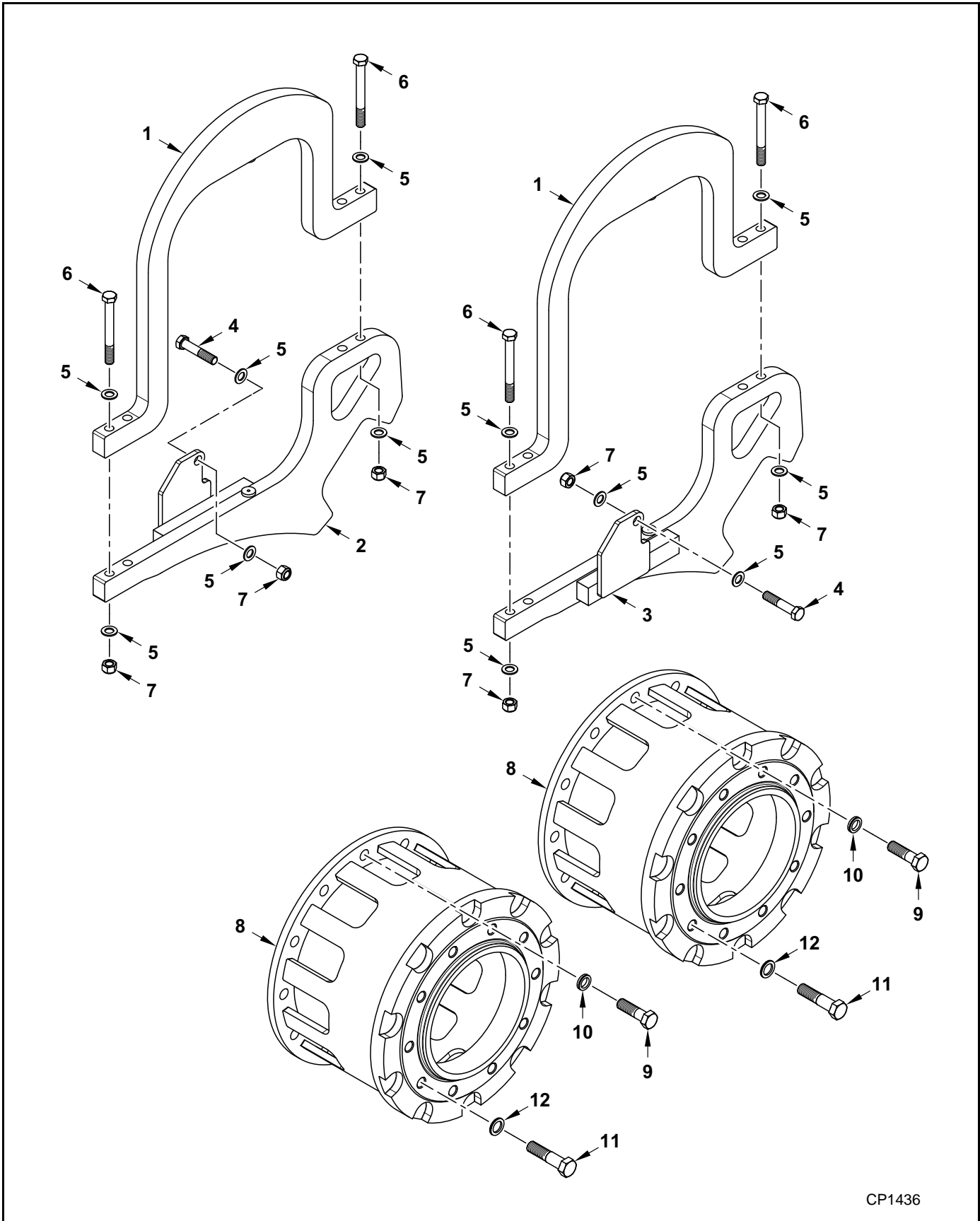
FRONT AXLE INSTALLATION KITS

John Deere 8R Series Suspended ILS Axle, 14 Inch Diameter Hub

(2A-1085-100 & 2A-1053-100)

Ref.	FN	Part Number	CTS Series	Qty.	Description
		2K-0082		1	KIT, Fitment, Front Axle, Includes items 1 - 12
		2A-1085-100		1	KIT, Oscillation Limiter, Includes items 1 - 7
1		2A-1086		2	CLAMP, Upper
2		2A-1087		1	CLAMP, Lower, LH
3		2A-1088		1	CLAMP, Lower, RH
4		2F-0069		2	BOLT, Hex, M20 x 100, CI 10.9
5		2F-0031		20	WASHER, M20
6		732601508		8	BOLT, Hex, M20 x 180, CI 10.9
7		2F-0409		10	NUT, Hex, M20
		2A-1053-100		1	KIT, Hub Adapter, Front Axle, Includes items 8 - 12
8		2S-0392		2	HUB, Adapter, Front, 12 Stud
9		2F-0425		24	BOLT, Hex, M20 x 70, CI 10.9
10		2F-0325		24	WASHER, Nord-lock, M20
11		2F-0444		20	BOLT, Hex, M22 x 90, CI 10.9
12		2F-0392		20	WASHER, Nord-lock, Steel, M22

Kit, Front Axle Installation (John Deere 8R Series)



CP1436

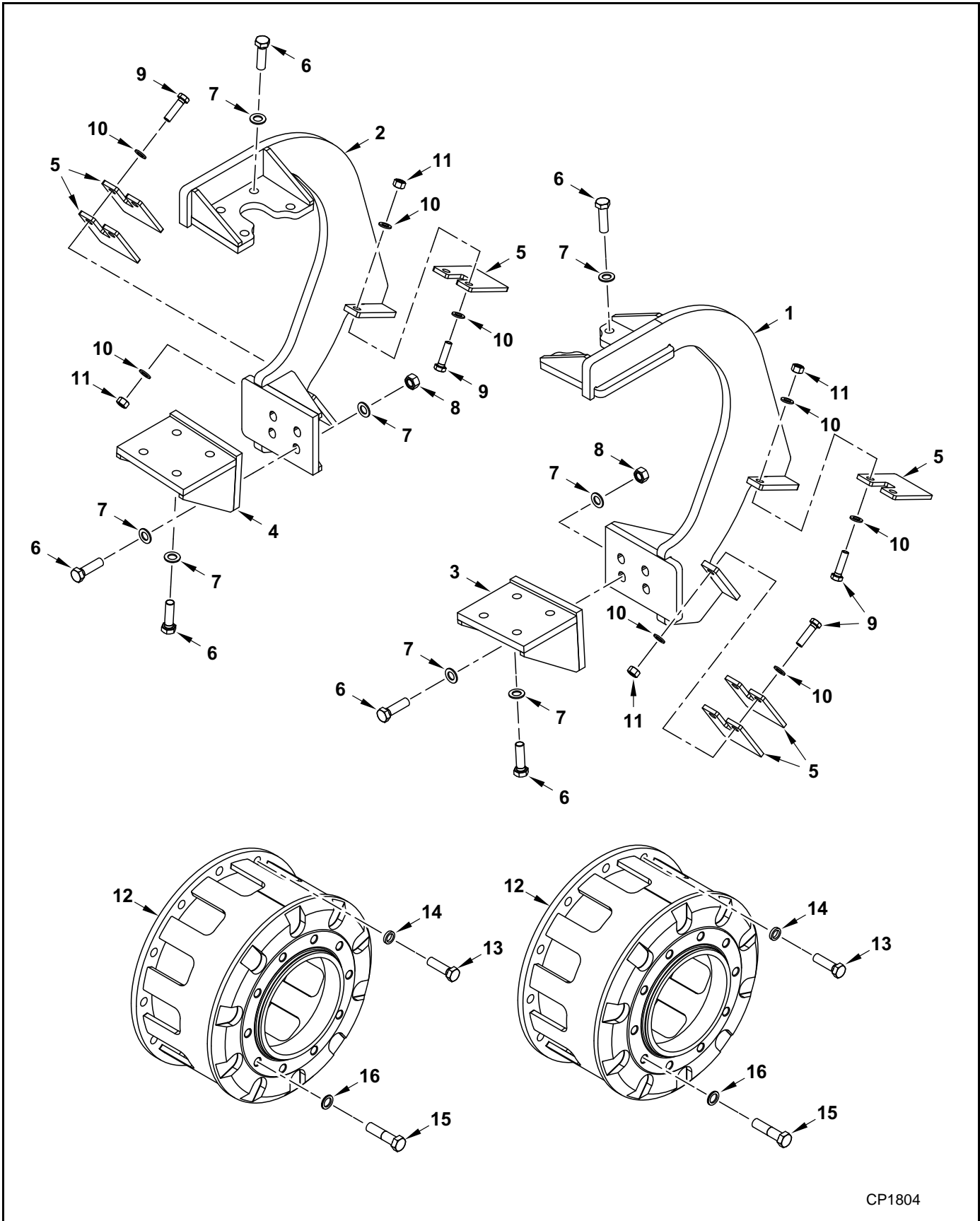
FRONT AXLE INSTALLATION KITS

John Deere 8R Series
Suspended ILS Axle, 17 Inch Diameter Hub

(2A-1085-100 & 2A-1220)

Ref.	FN	Part Number	CTS Series	Qty.	Description
		2K-0084		1	KIT, Fitment, Front Axle, Includes items 1 - 12
		2A-1085-100		1	KIT, Oscillation Limiter, Includes items 1 - 7
1		2A-1086		2	CLAMP, Upper
2		2A-1087		1	CLAMP, Lower, LH
3		2A-1088		1	CLAMP, Lower, RH
4		2F-0069		2	BOLT, Hex, M20 x 100, CI 10.9
5		2F-0031		20	WASHER, M20
6		732601508		8	BOLT, Hex, M20 x 180, CI 10.9
7		2F-0409		10	NUT, Hex, M20
		2A-1220		1	KIT, Hub Adapter, Front Axle, Includes items 8 - 12
8		2S-0523		2	HUB, Adapter, Front, 12 Stud
9		2F-0425		24	BOLT, Hex, M20 x 70, CI 10.9
10		2F-0325		24	WASHER, Nord-lock, M20
11		2F-0444		20	BOLT, Hex, M22 x 90, CI 10.9
12		2F-0392		20	WASHER, Nord-lock, Steel, M22

Kit, Front Axle Installation (John Deere 1500 Series)



CP1804

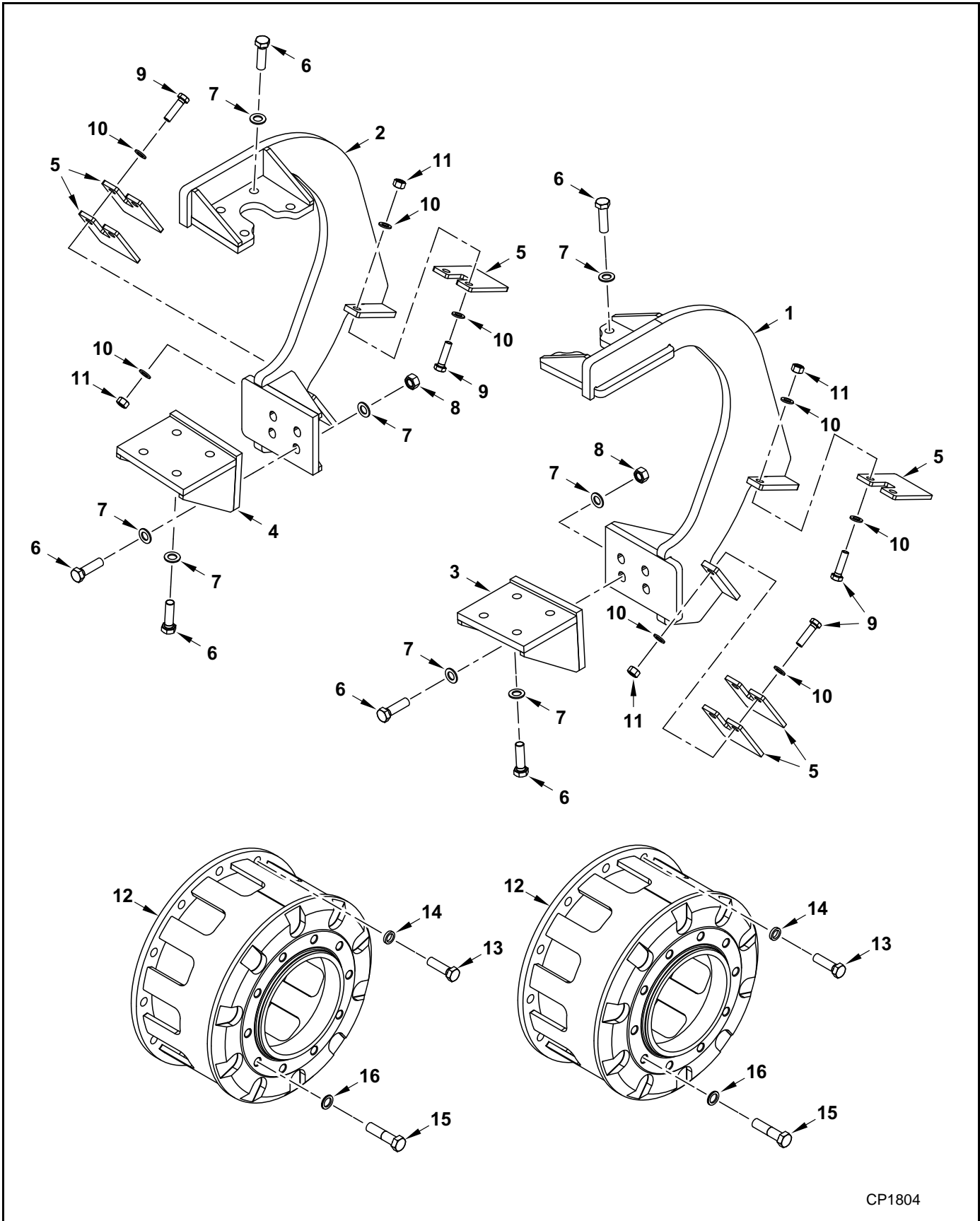
FRONT AXLE INSTALLATION KITS

John Deere 8R Series, 1500 Series Axle, 14 Inch Diameter Hub

(2K-0214 & 2K-0215)

Ref.	FN	Part Number	CTS Series	Qty.	Description
		2K-0214		1	KIT, Fitment, Front Axle, 14 Inch Diameter Hub, Includes items 1 - 16
		2A-1573-100		1	KIT, Anti-rotation, Front, Includes items 1 - 11
1		2S-1399		1	CLAMP, RH
2		2S-1401		1	CLAMP, LH
3		2S-1400		1	BRACKET, Mounting, RH
4		2S-1402		1	BRACKET, Mounting, LH
5		2C-3727-100		6	PLATE, Mounting
6		2F-0158		24	BOLT, Hex, M20 x 70, CI 10.9
7		2F-0031		32	WASHER, Flat, M20
8		2F-0520		8	NUT, Hex, M20
9		2F-0064		8	BOLT, Hex, M16 x 60, CI 10.9
10		2F-0112		16	WASHER, Flat, M16
11		2F-0310		8	NUT, Hex, M16, CI 10
		2A-1473-100		1	KIT, Hub Adapter, Front Axle, 14 Inch diameter Hub, Includes items 12 - 16
12		2S-1344-100		2	ADAPTER, Hub, 14 Inch Diameter
13		2F-0444		20	BOLT, Hex, M22 x 90, CI 10.9
14		2F-0392		20	WASHER, Nord-lock, Steel, M22
15		2F-0425		24	BOLT, Hex, M20 x 70, CI 10.9
16		2F-0325		20	WASHER, Nord-lock, M20

Kit, Front Axle Installation (John Deere 1500 Series)



CP1804

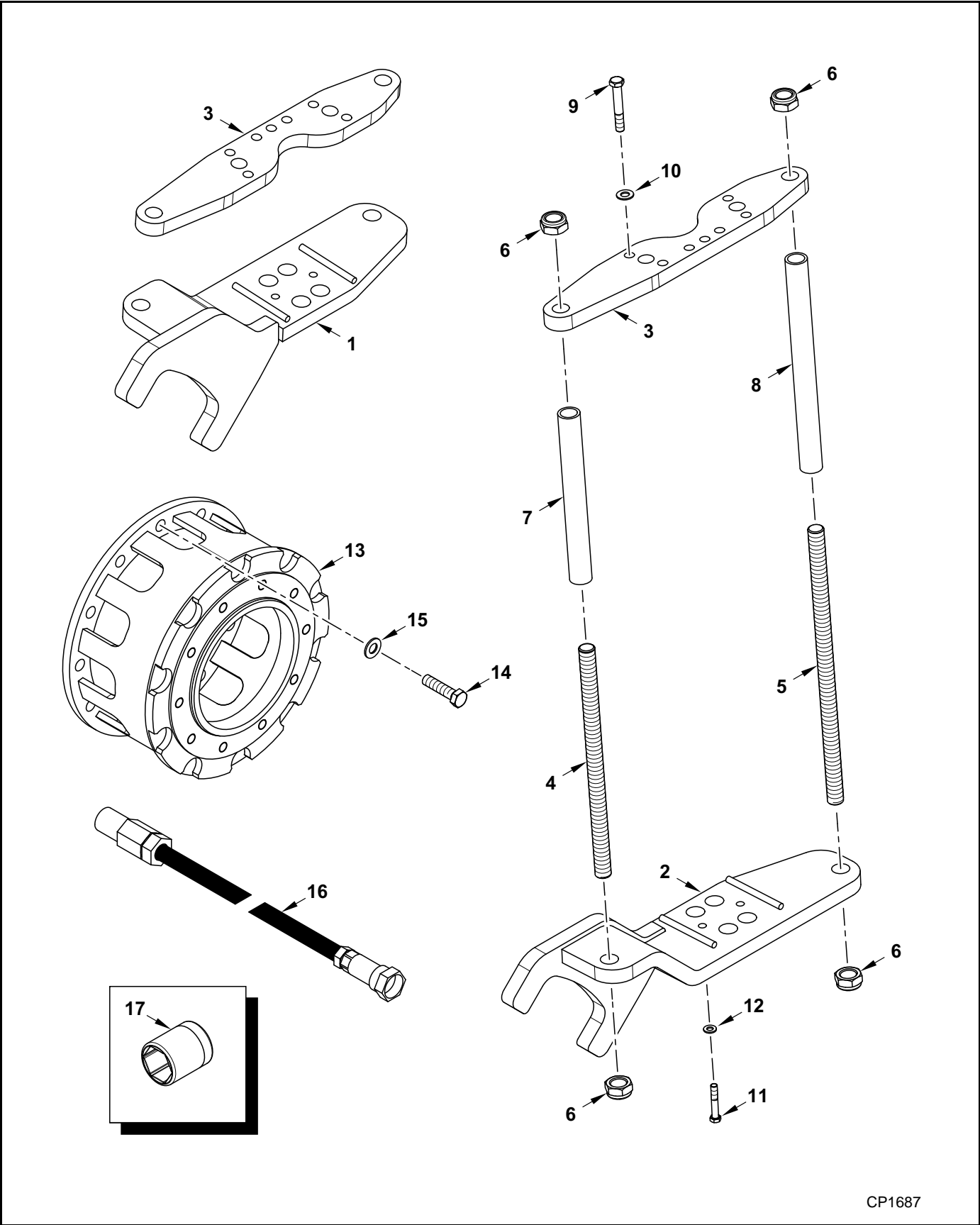
FRONT AXLE INSTALLATION KITS

John Deere 8R Series, 1500 Series Axle, 17 Inch Diameter Hub

(2K-0214 & 2K-0215)

Ref.	FN	Part Number	CTS Series	Qty.	Description
		2K-0215		1	KIT, Fitment, Front Axle, 17 Inch Diameter Hub, Includes items 1 - 16
		2A-1573-100		1	KIT, Anti-rotation, Front, Includes items 1 - 11
1		2S-1399		1	CLAMP, RH
2		2S-1401		1	CLAMP, LH
3		2S-1400		1	BRACKET, Mounting, RH
4		2S-1402		1	BRACKET, Mounting, LH
5		2C-3727-100		6	PLATE, Mounting
6		2F-0158		24	BOLT, Hex, M20 x 70, CI 10.9
7		2F-0031		32	WASHER, Flat, M20
8		2F-0520		8	NUT, Hex, M20
9		2F-0064		8	BOLT, Hex, M16 x 60, CI 10.9
10		2F-0112		16	WASHER, Flat, M16
11		2F-0310		8	NUT, Hex, M16, CI 10
		2A-1363-100		1	KIT, Hub Adapter, Front Axle, 17 Inch Diameter Hub, Includes items 12 - 16
12		2S-1264-100		2	ADAPTER, Hub, 17 Inch Diameter Hub
13		2F-0444		20	BOLT, Hex, M22 x 90, CI 10.9
14		2F-0392		20	WASHER, Nord-lock, Steel, M22
15		2F-0425		24	BOLT, Hex, M20 x 70, CI 10.9
16		2F-0325		20	WASHER, Nord-lock, M20

Kit, Front Axle Installation (Fendt 900 Series)



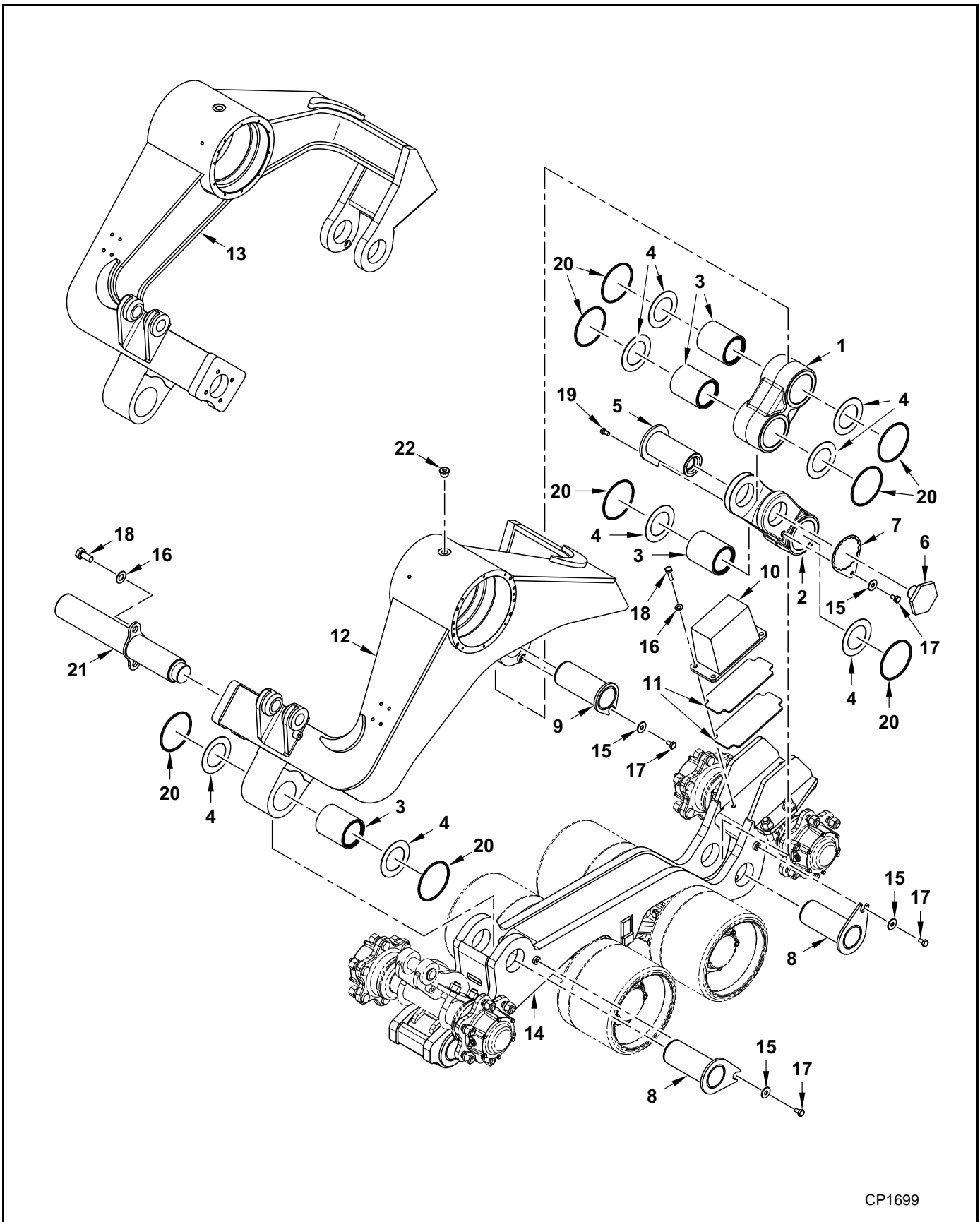
CP1687

FRONT AXLE INSTALLATION KITS

Fendt 900 Series
S/N TRE0216003 and Later

Ref.	FN	Part Number	CTS Series	Qty.	Description
		2K-0132		1	KIT, Fitment, Front Axle, Includes items 1 - 15
		2A-1320-100		1	KIT, Oscillation Limiter, Includes items 1 - 12
1		2S-1239		1	BRACKET, Mounting, LH
2		2S-1238		1	BRACKET, Mounting, RH
3		2C-2944-100		2	PLATE, Mounting
4		2C-2950-100		2	ROD, Threaded Mounting
5		2C-2949-100		2	ROD, Mounting, M30 x 3.5 x 600 mm
6		2F-0384		8	NUT, Hex, M30, CI 10.9
7		2C-2943-100		2	TUBE, Mounting Rod, Short
8		2C-2942-100		2	TUBE, Mounting Rod, Long
9		2F-0368		14	BOLT, Hex, M16 x 100, CI 10.9
10		2F-0314		14	WASHER, M16
11		2F-0476		4	BOLT, Hex, M12 x 70, CI 10.9
12		2F-0273		4	WASHER, M12
		2A-1319-100		1	KIT, Hub Adapter, Includes items 13 - 15
13		1003172		2	HUB, Adapter
14		2F-0289		20	BOLT, Hex, M20 x 80, CI 10.9
15		2F-0275		20	WASHER, M20
16		1000956		1	HOSE, Tensioning
17		N18-AB01		1	SOCKET, Drive

Undercarriage Frame



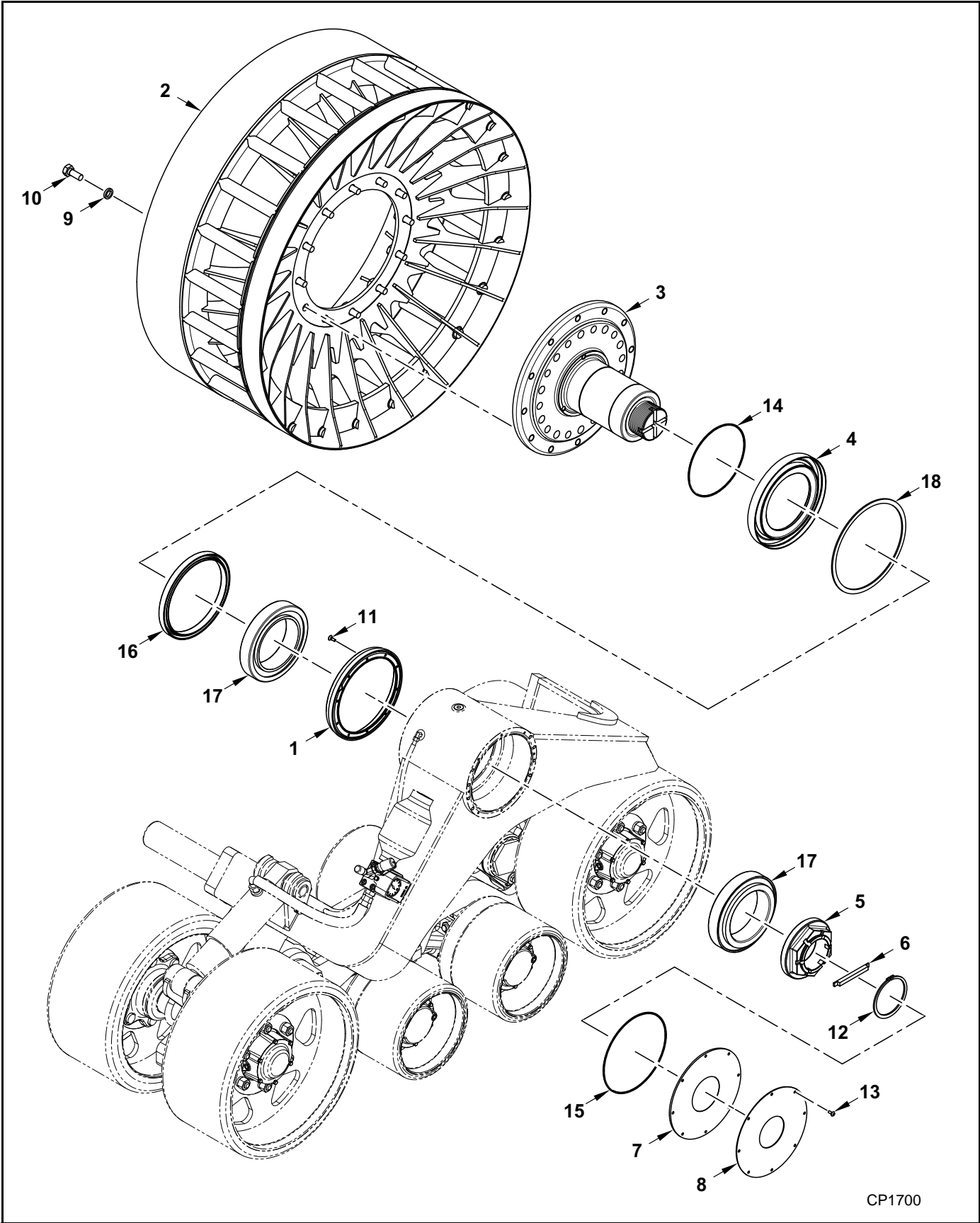
REAR AXLE SYSTEMS

Undercarriage Frame S/N 991-2013 and Later

(1000081-03Dec2012)

Ref.	FN	Part Number	CTS Series	Qty.	Description
1		1000396		1	ROD, Upper
2		1000398		1	ROD, Lower
3		1000399		5	BEARING, Sliding
4		1000400		10	SHIM
5		1000441		1	PIN, Rod
6		1000444		1	PIN, Shoulder
7		1000445		1	PIN, Lock, Shoulder
8		1000451		3	PIN, Undercarriage-Rod
9		1000487		1	PIN, Rod, Suspended Frame
10		1001297		1	SPRING, Rubber
11		1001298		2	SHIM, Rubber Spring
12		1002102		1	FRAME, Upper, Undercarriage, RH
13		1002103		1	FRAME, Upper, Undercarriage, LH
14		1002126		1	FRAME, Lower
15		2F-0272		6	WASHER, M12 Large
16		2F-0273		6	WASHER, Contact, Narrow, M12
17		2F-0278		7	BOLT, Hex, M12 x 20, CI 8.8
18		2F-0279		6	BOLT, Hex, M12 x 40, CI 8.8
19		2F-0294		1	BOLT, Hex, M12 x 20, CI 8.8
20		2J-0126		10	O-RING, 5 x 120 mm ID
21		1003649		1	PIN, Anti-rotation
22		2H-0173		1	PLUG, 1/2" G

Sprocket & Undercarriage Spindle



CP1700

REAR AXLE SYSTEMS

Sprocket & Undercarriage Spindle

S/N 991-2013 Thru TRE0216002

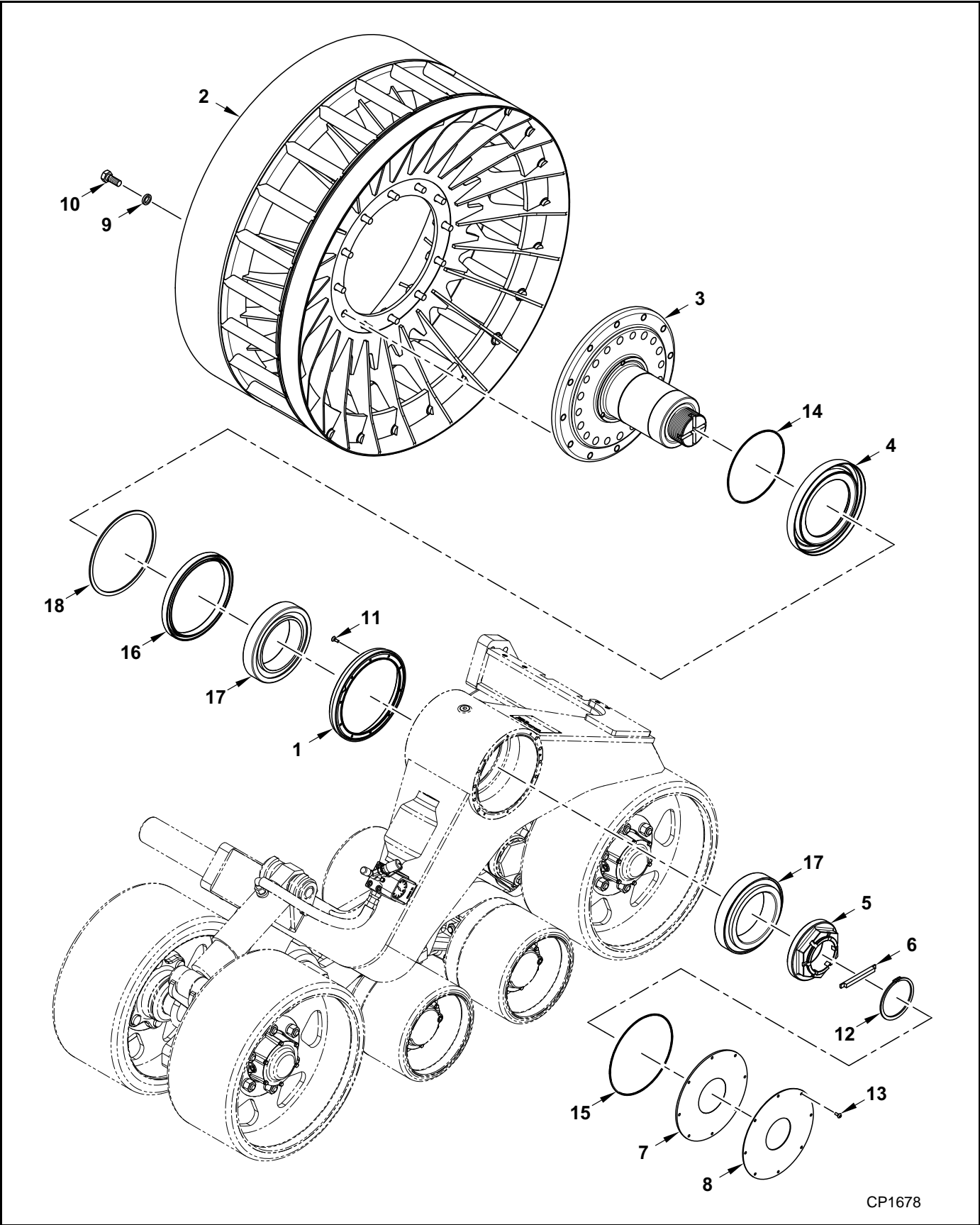
(1000081-03Dec2012)

Ref.	FN	Part Number	CTS Series	Qty.	Description
1		1001268		1	SEAL, Site
2		1002269	30D22MC	1	SPROCKET, Drive
	1	1001285	30D23MC	1	SPROCKET, Drive
	2	1002267	30D23MC	1	SPROCKET, Drive
3	1	1001288		1	SPINDLE, Drive Wheel
	2	1002265		1	SPINDLE, Drive Wheel
4		1001289		1	BEARING, Shoulder
5		1001290		1	NUT, Spindle
6		1001291		1	NUT, Lock, Spindle
7		1003153		1	COVER, Lexan
8		2C-2156		1	COVER, Logo
9		2F-0325		UAR	WASHER, Nord-Lock, M20
10		2F-0347		UAR	BOLT, Hex, M20 x 45, CI 10.9
11		2F-0292		8	BOLT, Hex, M6 x 16
12		2F-0309		1	RING, Retaining
13		2F-0329		10	BOLT, Hex, M6 x 16
14		2J-0142		1	O-RING, 3.53 x 203
15		2J-0125		1	O-RING. 3.53 x 203
16		2J-0140		1	SEAL, Cassette, 235 x 270 x 22
17		2B-0129		2	BEARING
18		1000197		1	SPACER, Nylon

1 - 10 Bolt Mounting Pattern

2 - 12 Bolt Mounting Pattern

Sprocket & Undercarriage Spindle



CP1678

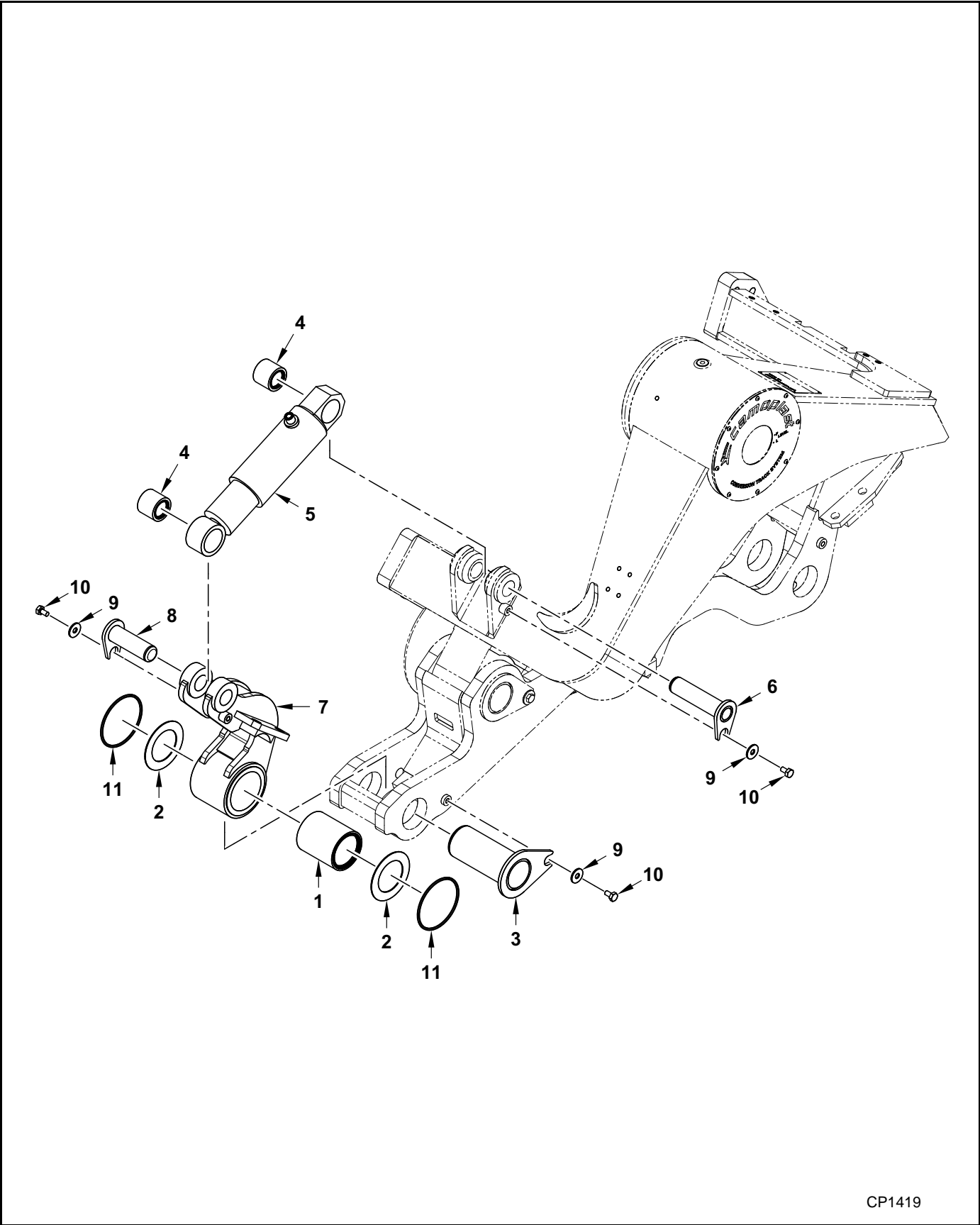
REAR AXLE SYSTEMS

Sprocket & Undercarriage Spindle S/N TRE0216003 and Later

(1000081-03Dec2012)

Ref.	FN	Part Number	CTS Series	Qty.	Description
1		1001268		1	SEAL, Site
2		1002269	30D22MC	1	SPROCKET, Drive
		1002267	30D23MC	1	SPROCKET, Drive
3		1002265	30D23MC	1	SPINDLE, Drive Wheel
4		2C-3299-100		1	BEARING, Shoulder
5		1001290		1	NUT, Spindle
6		1001291		1	NUT, Lock, Spindle
7		1003153		1	COVER, Lexan
8		2C-3101-100		1	COVER, Logo
9		2F-0325		UAR	WASHER, Nord-Lock, M20
10		2F-0347		UAR	BOLT, Hex, M20 x 45, CI 10.9
11		2F-0292		8	BOLT, Hex, M6 x 16
12		2F-0309		1	RING, Retaining
13		2F-0329		10	BOLT, Hex, M6 x 16
14		2J-0142		1	O-RING, 3.53 x 203
15		2J-0125		1	O-RING. 3.53 x 203
16		2J-0140		1	SEAL, Cassette, 235 x 270 x 22
17		2B-0172		2	BEARING
18		1000197		1	SEAL, Teflon, 280mm OD x 265mm ID x 0.5mm thk

Track Tensioning - Cylinder & Linkage



CP1419

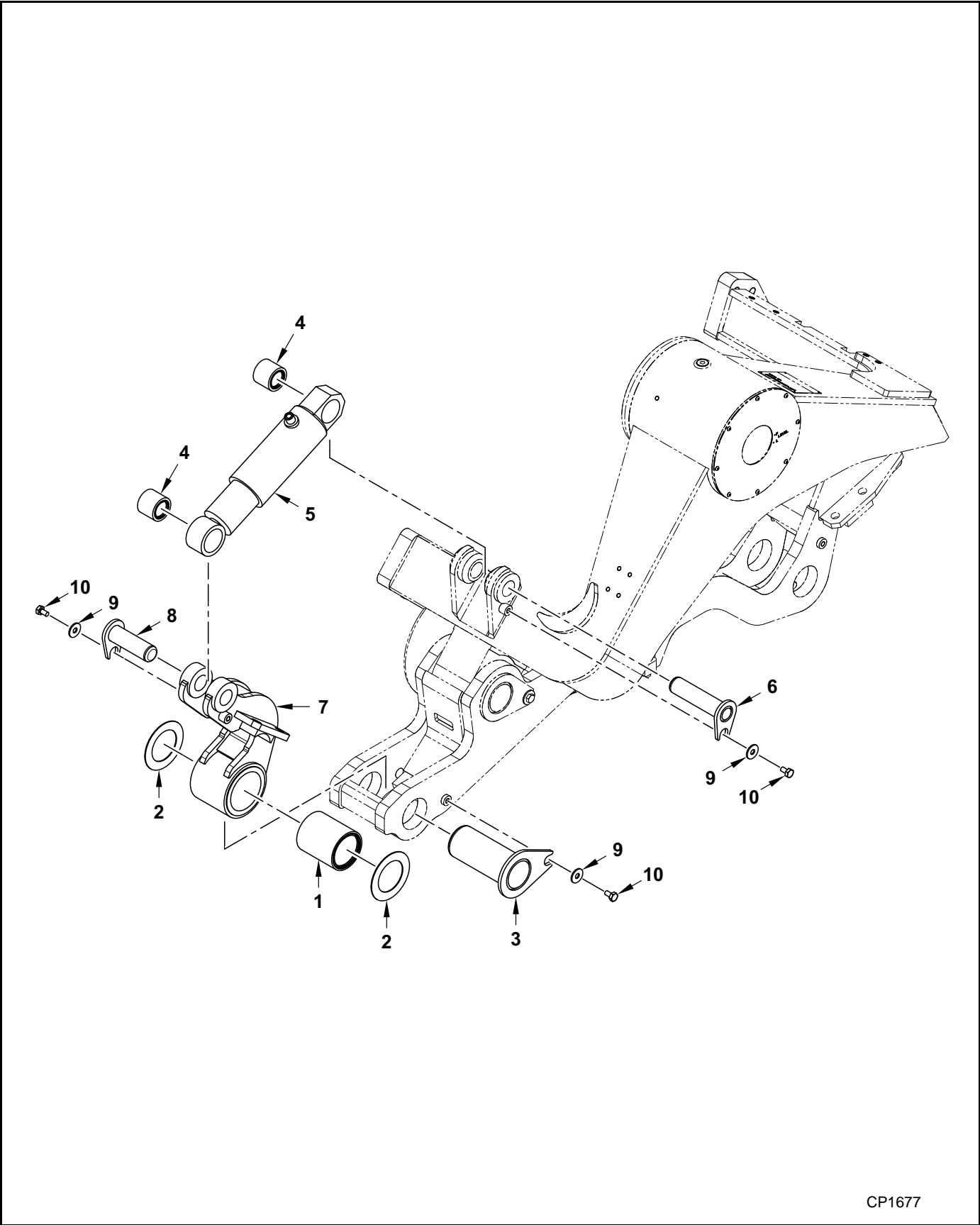
REAR AXLE SYSTEMS

Track Tensioning - Cylinder & Linkage S/N 991-2013 Thru TRE0216002

(1000081-03Dec2012)

Ref.	FN	Part Number	CTS Series	Qty.	Description
1		1000399		5	BEARING, Sliding
2		1000400		10	SHIM
3		1000451		3	PIN, Mounting, Undercarriage Rod
4		1000462		2	BEARING, Sliding
5		1001300	30D22MC	1	CYLINDER, Tension
			30D23MC	1	CYLINDER, Tension
6		1001302		1	PIN, Mounting, Cylinder Tensioner
7		1001406		1	ARM, Tensioner
8		1001413		1	PIN, Mounting, Tensioner Piston
9		2F-0272		6	WASHER, M12 Large
10		2F-0278		7	BOLT, Hex, M12 x 20, Cl 8.8
11		2J-0126		10	O-RING, 5 x 120 mm ID

Track Tensioning - Cylinder & Linkage



CP1677

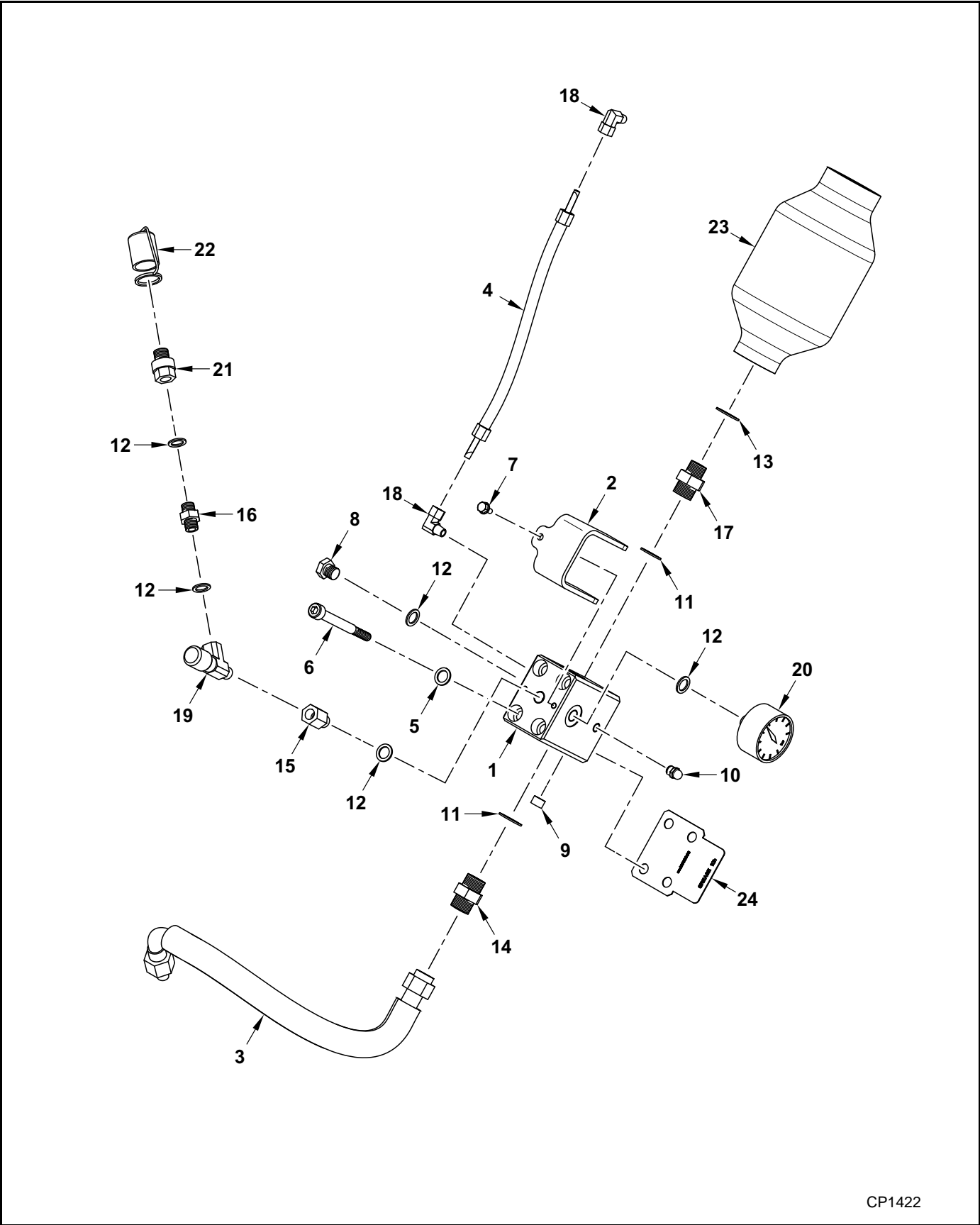
REAR AXLE SYSTEMS

Track Tensioning - Cylinder & Linkage S/N TRE0216003 and Later

(1000081-03Dec2012)

Ref.	FN	Part Number	CTS Series	Qty.	Description
1		1000399		5	BEARING, Sliding
2		1000400		10	SHIM
3		1000451		3	PIN, Mounting, Undercarriage Rod
4		1000462		2	BEARING, Sliding
5		1001300	30D22MC	1	CYLINDER, Tension
			30D23MC	1	CYLINDER, Tension
6		1001302		1	PIN, Mounting, Cylinder Tensioner
7		2C-2810-101		1	ARM, Tensioner
8		1001413		1	PIN, Mounting, Tensioner Piston
9		2F-0272		6	WASHER, M12 Large
10		2F-0278		7	BOLT, Hex, M12 x 20, CI 8.8

Track Tensioning - Manifold & Accumulator



CP1422

REAR AXLE SYSTEMS

Track Tensioning - Manifold & Accumulator S/N 991-2013 Thru TRE0216002

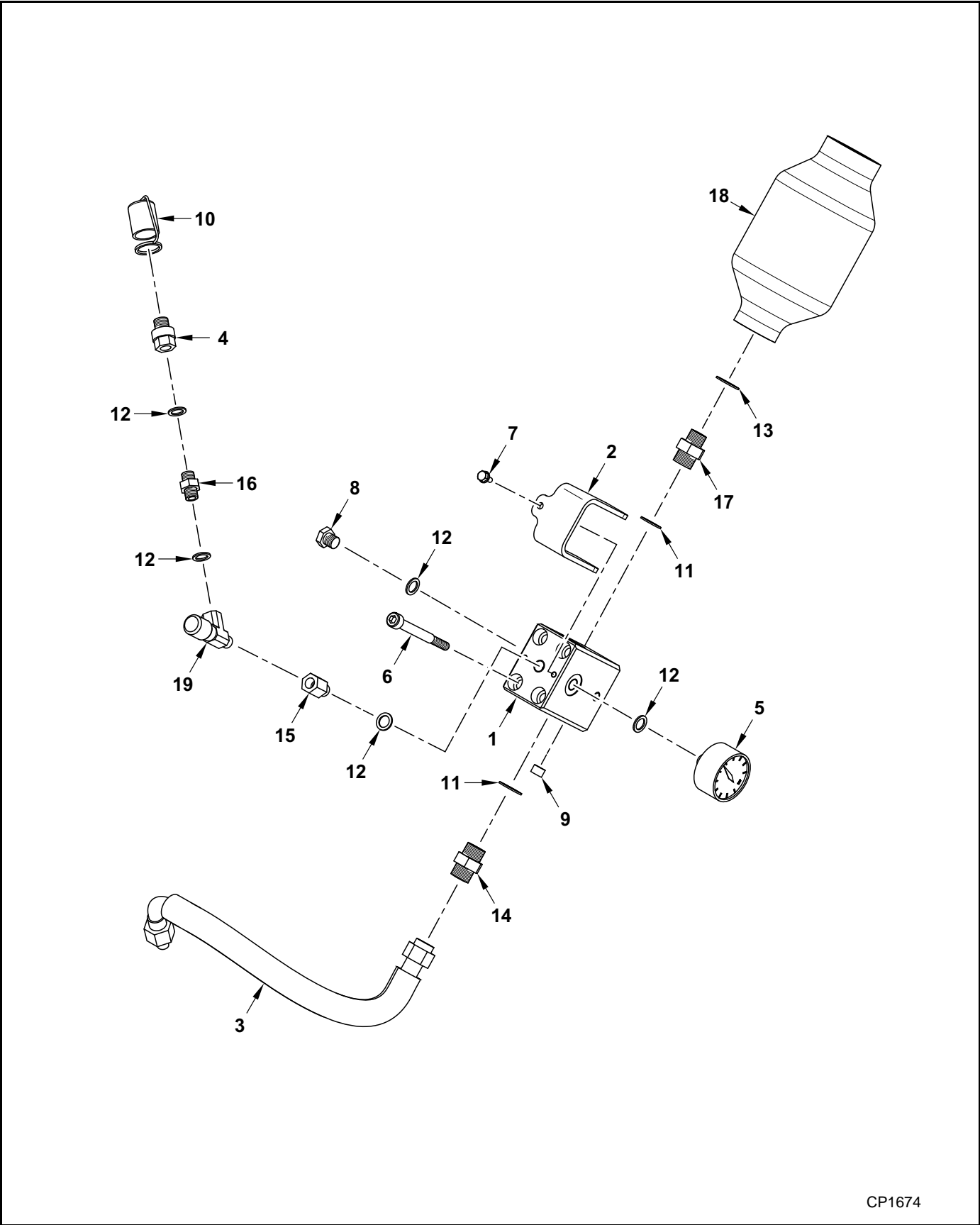
(1000081-03Dec2012)

Ref.	FN	Part Number	CTS Series	Qty.	Description
1		1002036		1	MANIFOLD
2		1000573		1	COVER, Manifold
3		1001309		1	HOSE, Tensioner, 1/4" BSP
4		1001306		1	HOSE, Greaser
5	1	2F-0270		4	WASHER, M10
6	1	2F-0291		4	BOLT, Hex Socket, M10 x 100, CI 8.8
	2	2F-0316		4	BOLT, Hex Socket, M10 x 70, CI 8.8
7		2F-0295		1	BOLT, Hex Flg., M6 X 12, CI 8.8
8		2H-0175		1	PLUG, 1/4" BSP
9		2H-0177		1	PLUG, M10
10		2H-0179		1	FITTING, Grease
11		2F-0303		2	WASHER, G1/2"
12		2F-0304		3	WASHER, G1/4"
13		2F-0306		1	WASHER, M18
14		2H-0180		1	FITTING
15		2H-0182		1	FITTING
16		2H-0181		1	FITTING
17		2H-0184		1	FITTING, M18 x 1/2"
18		2H-0187		2	FITTING, 90°
19		2H-0188		1	VALVE
20		2H-0190		1	GAUGE, Pressure
21		2H-0191		1	FASTENER, Male, 1/4" BSP
22		2H-0192		1	PLUG, Fastener, 1/4" BSP
23		2H-0194		1	ACCUMULATOR, Nitrogen
24		1003998		1	BRACKET, Mounting, Accumulator

1 - BTW 988-2013 and MY2015

2 - MY2015 and Later

Track Tensioning - Manifold & Accumulator



CP1674

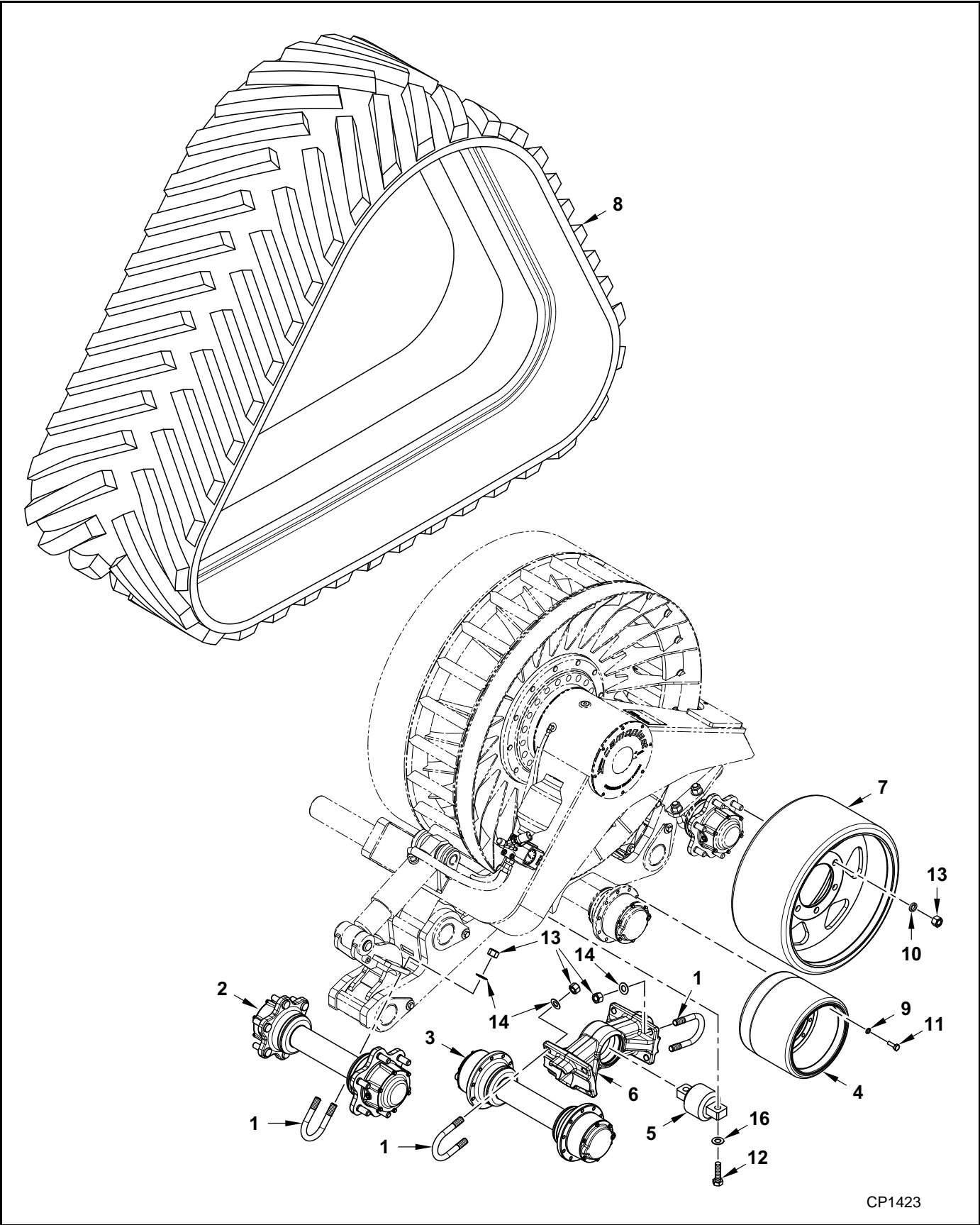
REAR AXLE SYSTEMS

Track Tensioning - Manifold & Accumulator S/N TRE0216003 and Later

(1000081-03Dec2012)

Ref.	FN	Part Number	CTS Series	Qty.	Description
1		1002036		1	MANIFOLD
2		1000573		1	COVER, Manifold
3		1001309		1	HOSE, Tensioner, 1/4" BSP
4		2H-0191		1	FASTENER, Male, 1/4" BSP
5		2H-0190		1	GAUGE, Pressure
6		2F-0316		4	BOLT, Hex, M10 x 70, CI 8.8
7		2F-0295		1	BOLT, Hex Flg., M6 X 12, CI 8.8
8		2H-0175		1	PLUG, 1/4" BSP
9		2H-0177		2	PLUG, M10
10		2H-0192		1	PLUG, Fastener, 1/4" BSP
11		2F-0303		2	WASHER, G1/2"
12		2F-0304		3	WASHER, G1/4"
13		2F-0306		1	WASHER, M18
14		2H-0180		1	FITTING
15		2H-0182		1	FITTING
16		2H-0181		1	FITTING
17		2H-0184		1	FITTING, M18 x 1/2"
18		2H-0194		1	ACCUMULATOR, Nitrogen
19		2H-0188		1	VALVE

Track, Idler & Roller Wheels



CP1423

REAR AXLE SYSTEMS

Track, Idler & Roller Wheels
S/N 991-2013 Thru TRE0216002

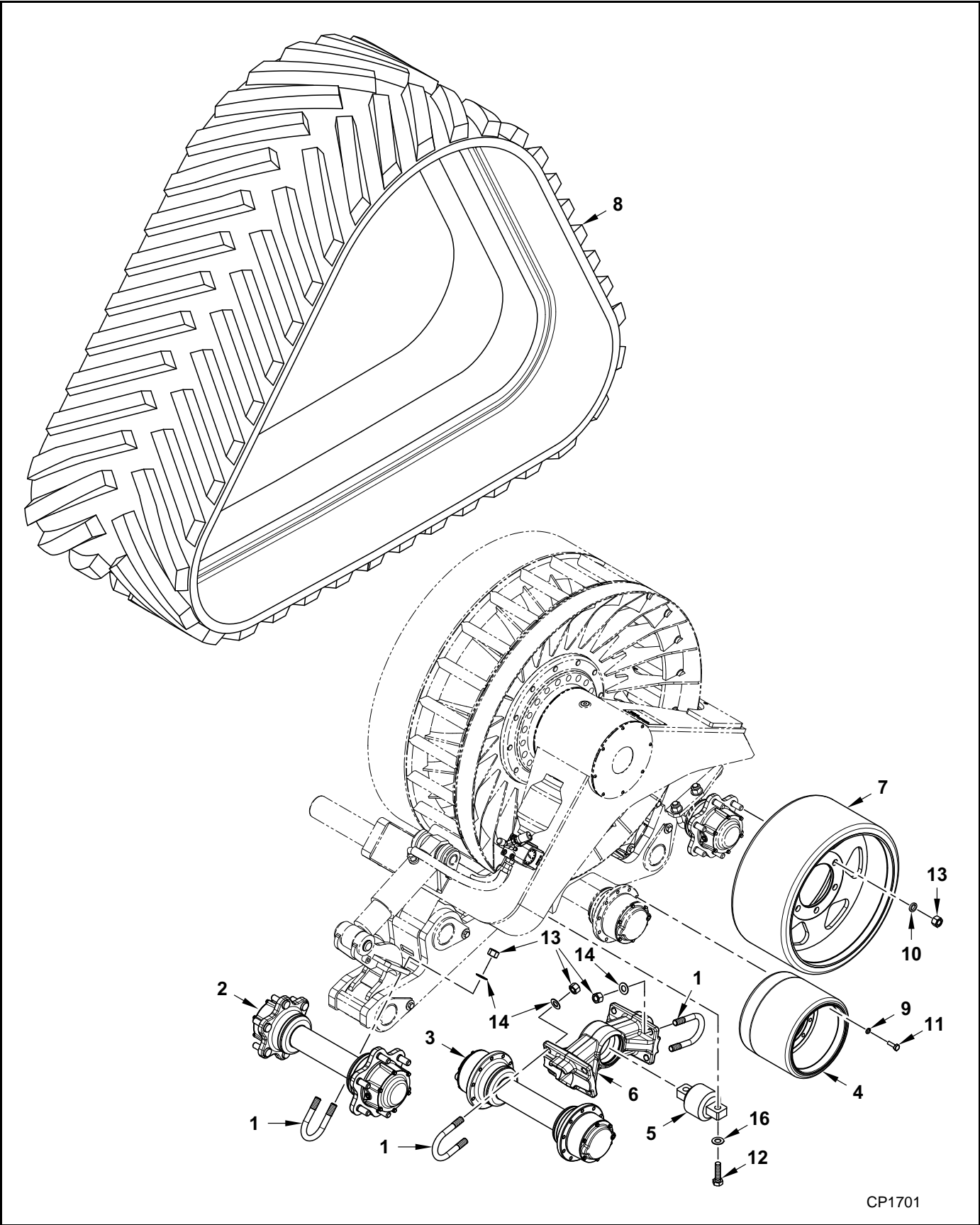
(1000081-03Dec2012)

Ref.	FN	Part Number	CTS Series	Qty.	Description
1		1000119		8	U-BOLT
2		1000130	30D22MC	2	AXLE ASSY., Idler, 30" Track, See page 2-22
			30D23MC	2	AXLE ASSY., Idler, 30" Track, See page 2-22
3		1000166	30D22MC	2	AXLE ASSY., Roller, 30" Track, See page 2-26
			30D23MC	2	AXLE ASSY., Roller, 30" Track, See page 2-26
4	1	1000178	30D22MC	4	WHEEL, Roller, PU, 30" Track
			30D23MC	4	WHEEL, Roller, PU, 30" Track
	2	1000145	30D22MC	4	WHEEL, Roller, Rubber, 30" Track
			30D23MC	4	WHEEL, Roller, Rubber, 30" Track
		1001026COMPL		1	ARM ASSY., Pivot
5		NSS		1	JOINT, Rubber
6		NSS		1	ARM, Pivot
7		1000794	30D22MC	4	WHEEL, Idler, 30" Track
			30D23MC	4	WHEEL, Idler, 30" Track
8		B30BL02880	30D22MC	1	TRACK, Rubber, 30" Wide
			30D23MC	1	TRACK, Rubber, 30" Wide
9		2F-0326		40	WASHER, Nord-lock, M12
10		2F-0325		24	WASHER, Nord-lock, M20
11		2F-0282		40	BOLT, Hex, M12 x 35, CI 10.9
12		2F-0285		2	BOLT, Hex, M20 x 70, CI 10.9
13		2F-0296		40	NUT, M20
14		2F-0275		16	WASHER, M20

1 - Heavy Duty Wheel

2 - Standard Wheel

Track, Idler & Roller Wheels



REAR AXLE SYSTEMS

Track, Idler & Roller Wheels S/N TRE0216003 and Later

(1000081-03Dec2012)

Ref.	FN	Part Number	CTS Series	Qty.	Description
1		1000119		8	U-BOLT
2	3	1000130	30D22MC	2	AXLE ASSY., Idler, 30" Track, See page 2-22
			30D23MC	2	AXLE ASSY., Idler, 30" Track, See page 2-22
	4	2A-1321-101	30D22MC	2	AXLE ASSY., Idler, 30" Track (8 bolt hole), See page 2-24
			30D23MC	2	AXLE ASSY., Idler, 30" Track (8 bolt hole), See page 2-24
3		2A-1315-101	30D22MC	2	AXLE ASSY., Roller, 30" Track, See page 2-28
			30D23MC	2	AXLE ASSY., Roller, 30" Track, See page 2-28
4	1	1000178	30D22MC	4	WHEEL, Roller, PU, 30" Track
			30D23MC	4	WHEEL, Roller, PU, 30" Track
	2	1000145	30D22MC	4	WHEEL, Roller, Rubber, 30" Track
			30D23MC	4	WHEEL, Roller, Rubber, 30" Track
		1001026COMPL		1	ARM ASSY., Pivot, Includes items 5 & 6
5		NSS		1	JOINT, Rubber
6		NSS		1	ARM, Pivot

1 - Heavy Duty Wheel

2 - Standard Wheel

3 - Used on track systems built Prior to S/N TRE0216003.

4 - Used on track systems built After S/N TRE0616021.

Continued on Next Page

REAR AXLE SYSTEMS

Track, Idler & Roller Wheels S/N TRE0216003 and Later

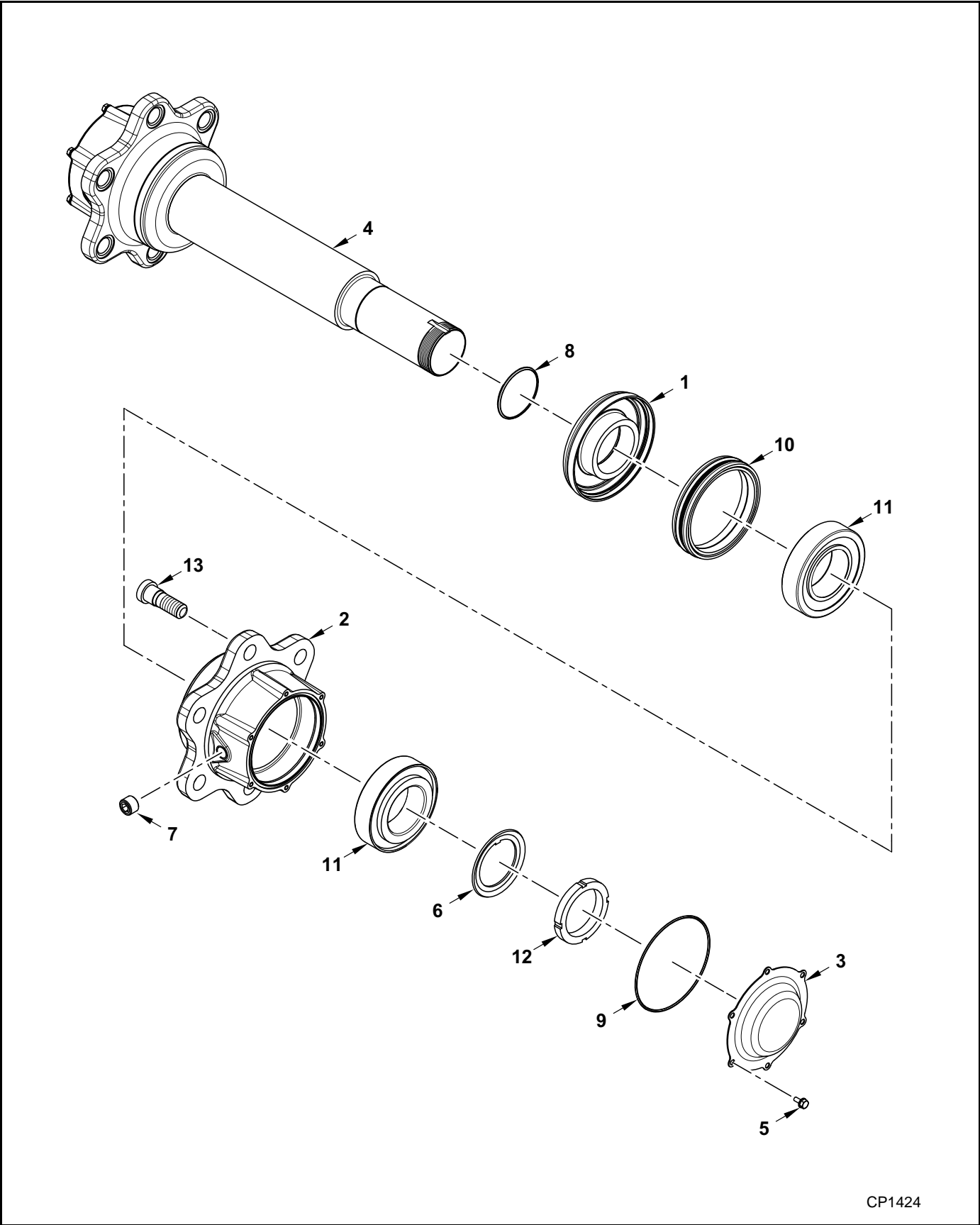
(1000081-03Dec2012)

Ref.	FN	Part Number	CTS Series	Qty.	Description
7	3	1000794	30D22MC	4	WHEEL, Idler, 30" Track
			30D23MC	4	WHEEL, Idler, 30" Track
	4	5W-0369	30D22MC	4	WHEEL, Idler, 30" Track (8 bolt hole)
			30D23MC	4	WHEEL, Idler, 30" Track (8 bolt hole)
8		B30BL02880	30D22MC	1	TRACK, Rubber, 30" Wide
			30D23MC	1	TRACK, Rubber, 30" Wide
9		2F-0326		40	WASHER, Nord-lock, M12
10	3	2F-0325		24	WASHER, Nord-lock, M20
	4	2F-0325		32	WASHER, Nord-lock, M20
11		2F-0282		40	BOLT, Hex, M12 x 35, CI 10.9
12		2F-0285		2	BOLT, Hex, M20 x 70, CI 10.9
13	3	2F-0296		40	NUT, M20
	4	2F-0296		48	NUT, M20
14		2F-0275		16	WASHER, M20

3 - Used on track systems built Prior to S/N TRE0216003.

4 - Used on track systems built After S/N TRE0616021.

Axle, Idler Wheel



CP1424

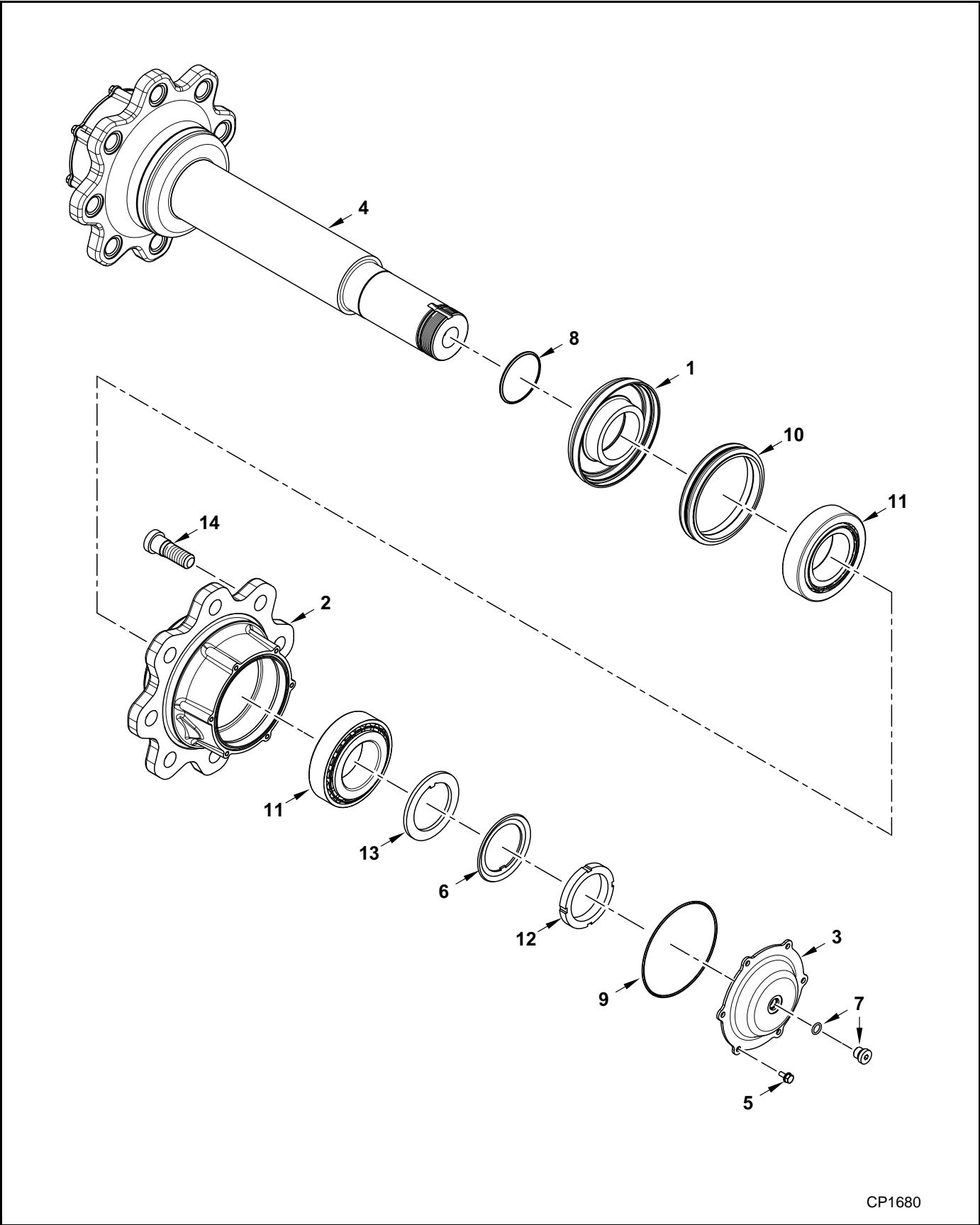
REAR AXLE SYSTEMS

Axle, Idler Wheel
S/N 991-2013 Thru TRE0216002

(1000081-03Dec2012)

Ref.	FN	Part Number	CTS Series	Qty.	Description
		1000130	30D22MC	2	AXLE ASSY., Idler, 30" Track, Include items 1 - 12
			30D23MC	2	AXLE ASSY., Idler, 30" Track, Include items 1 - 12
1		1000122		2	RING, Axle Collar
2		1000128		2	HUB
3		1000129		2	CAP, Hub
4		1000131	30D22MC	1	AXLE, Idler
			30D23MC	1	AXLE, Idler
5		2F-0295		12	BOLT, Hex, M6 x 12
6		2F-0302		2	WASHER, Lock
7		2H-0176		2	PLUG, 3/8" BSP
8		2J-0122		2	O-RING, 2.50 x 65
9		2J-0123		2	O-RING, 2.62 x 126
10		2J-0129		2	SEAL, Mechanical
11		2B-0126		4	BEARING, Taper Roller
12		2F-0301		2	NUT, Lock
13		2F-0298		12	BOLT, Stud, M20 x 60

Axle, Idler Wheel



CP1680

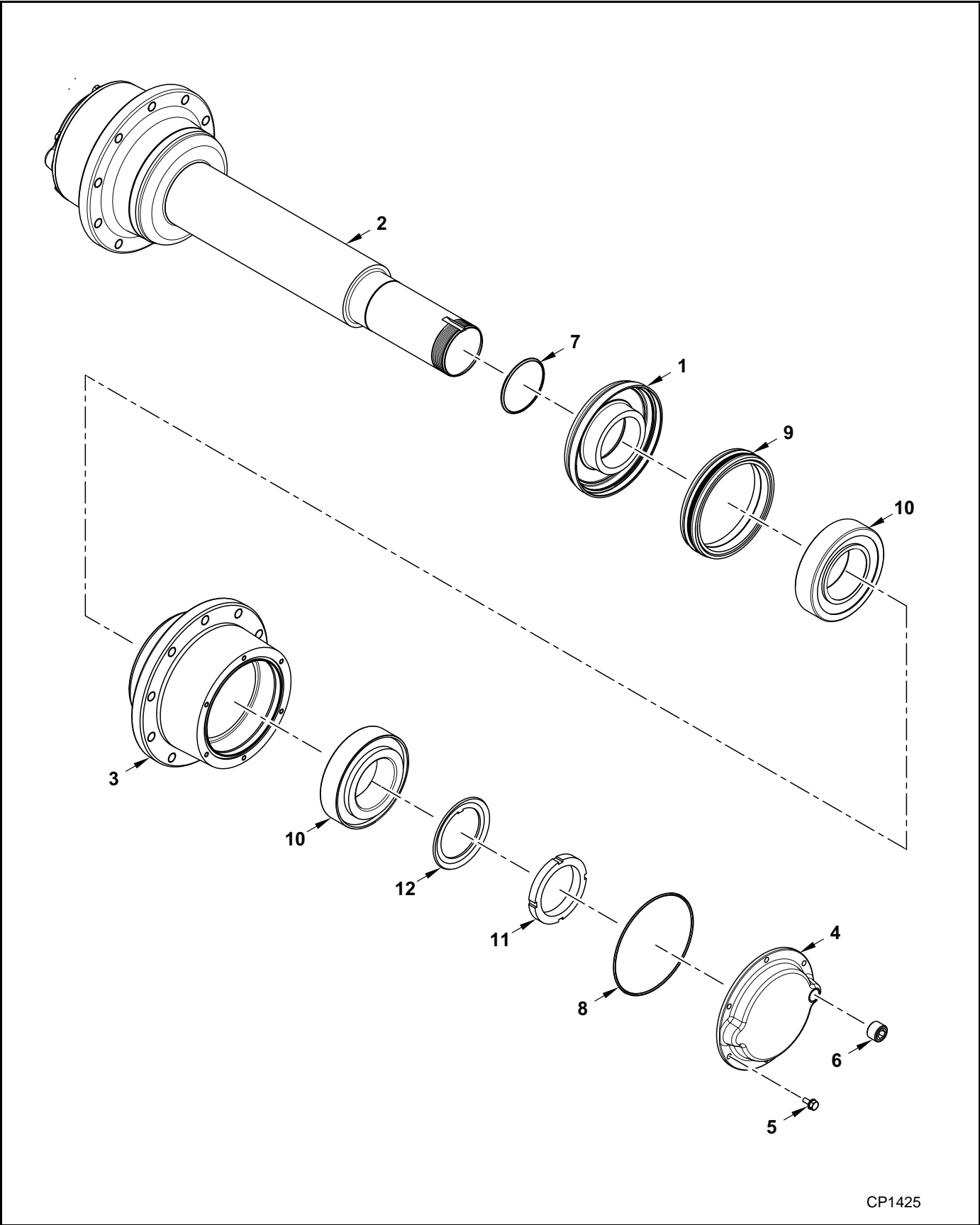
REAR AXLE SYSTEMS

Axle, Idler Wheel
S/N TRE0216003 and Later

(1000081-03Dec2012)

Ref.	FN	Part Number	CTS Series	Qty.	Description
		2A-1321-101	30D22MC	2	AXLE ASSY., Idler, 30" Track (8 bolt hole), Include items 1 - 13
			30D23MC	2	AXLE ASSY., Idler, 30" Track (8 bolt hole), Include items 1 - 13
1		1000122		2	RING, Axle Collar
2		2C-2825-100		2	HUB
3		2C-2956-100		2	CAP, Hub
4		2C-2954-100	30D22MC	1	AXLE, Idler
			30D23MC	1	AXLE, Idler
5		2F-0295		12	BOLT, Hex, M6 x 12
6		2F-0302		2	WASHER, Lock
7		2H-0243		2	PLUG, M14
8		2J-0122		2	O-RING, 2.50 x 65
9		2J-0123		2	O-RING, 2.62 x 126
10		2J-0129		2	SEAL, Mechanical
11		2B-0171		4	BEARING, Taper Roller
12		2F-0301		2	NUT, Lock
13		2C-2923-100		2	WASHER, Locking Tab
14		2F-0298		16	BOLT, Stud, M20 x 60

Axle, Roller Wheel



CP1425

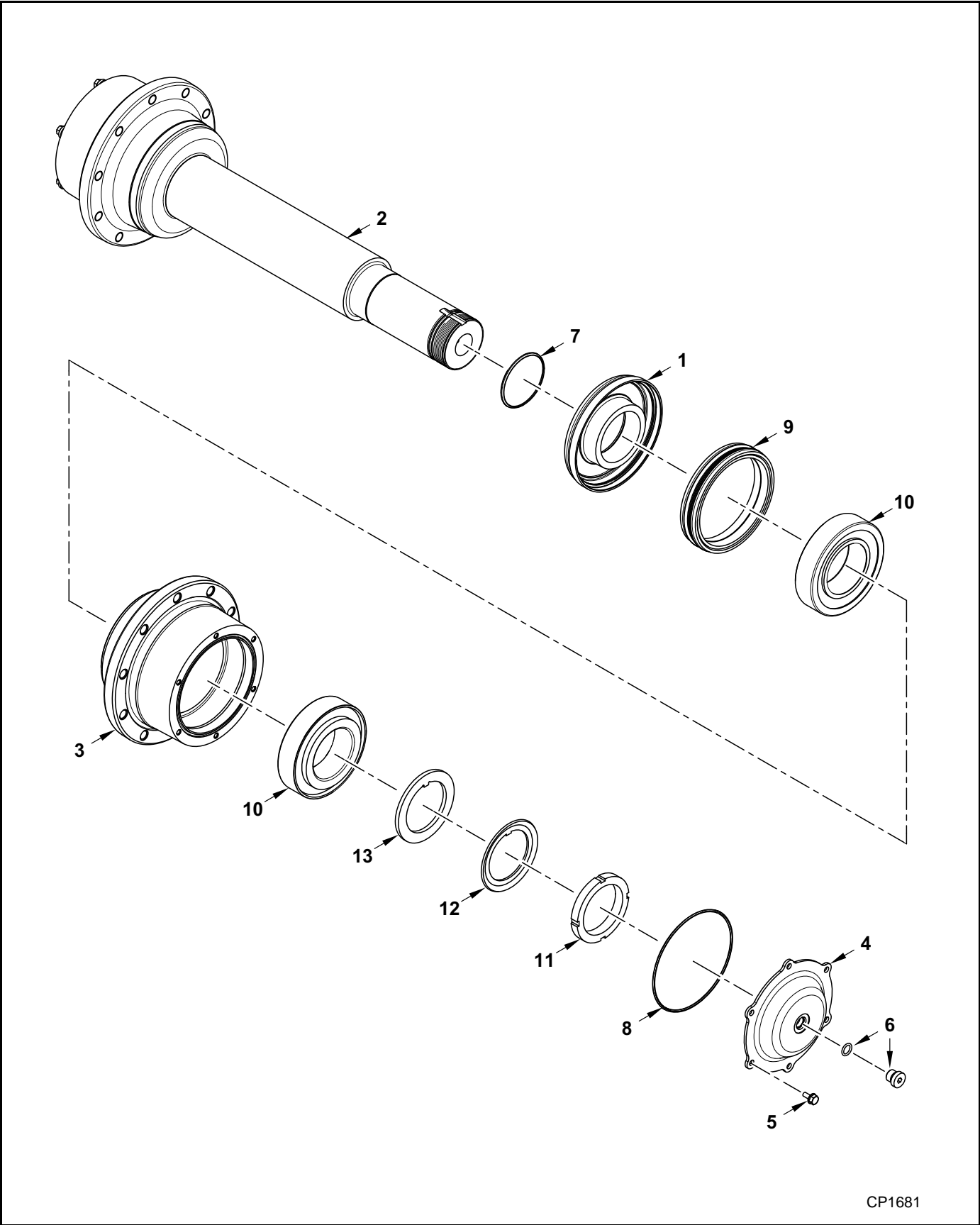
REAR AXLE SYSTEMS

Axle, Roller Wheel
S/N 991-2013 Thru TRE0216002

(1000130-04May2006)

Ref.	FN	Part Number	CTS Series	Qty.	Description
		1000166	30D22MC	2	AXLE ASSY., Roller, 30" Track, Include items 1 - 12
			30D23MC	2	AXLE ASSY., Roller, 30" Track, Include items 1 - 12
1		1000122		2	RING, Collar
2		1000131	30D22MC	1	AXLE, Roller
			30D23MC	1	AXLE, Roller
3		1000168		2	HUB
4		1000169		2	CAP, Hub
5		2F-0295		12	BOLT, Hex, M6 x 12, Cl 8.8
6		2H-0176		2	PLUG, 3/8" BSP
7		2J-0122		2	O-RING, 2.50 x 65
8		2J-0123		2	O-RING, 2.62 x 126
9		2J-0129		2	SEAL, Mechanical
10		2B-0172		4	BEARING, Taper Roller, 65 x 120 x 32.750
11		2F-0301		2	NUT, Lock
12		2F-0302		2	WASHER, Lock

Axle, Roller Wheel



CP1681

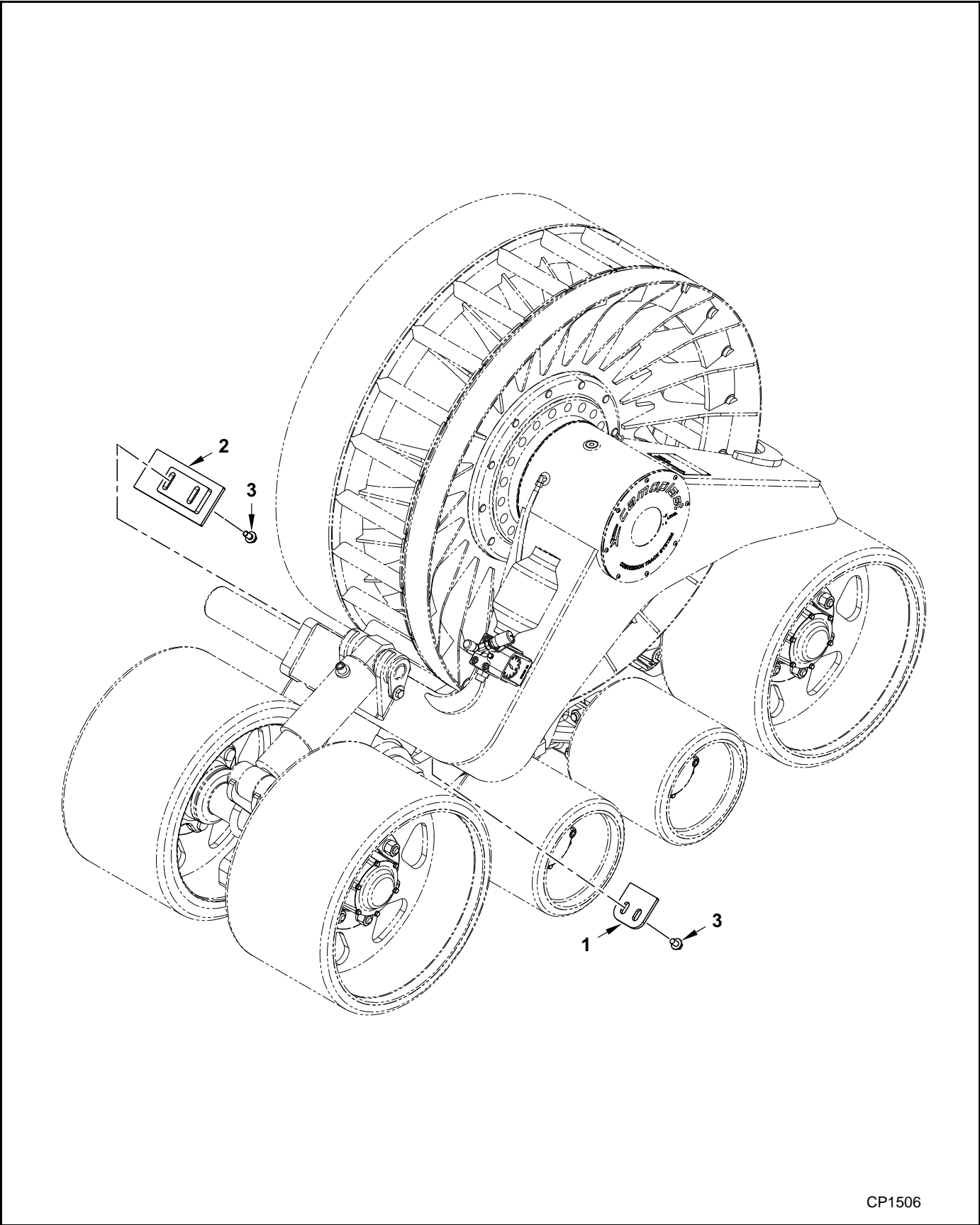
REAR AXLE SYSTEMS

Axle, Roller Wheel
S/N TRE0216002 and Later

(1000130-04May2006)

Ref.	FN	Part Number	CTS Series	Qty.	Description
		2A-1315-101	30D22MC	2	AXLE ASSY., Roller, 30" Track, Include items 1 - 13
			30D23MC	2	AXLE ASSY., Roller, 30" Track, Include items 1 - 13
1		1000122		2	RING, Collar
2		2C-2954-100	30D22MC	1	AXLE, Roller
			30D23MC	1	AXLE, Roller
3		2C-2952-100		2	HUB
4		2C-2956-100		2	CAP, Hub
5		2F-0295		12	BOLT, Hex, M6 x 12, Cl 8.8
6		2H-0243		2	PLUG, M14
7		2J-0122		2	O-RING, 2.50 x 65
8		2J-0123		2	O-RING, 2.62 x 126
9		2J-0129		2	SEAL, Mechanical
10		2B-0172		4	BEARING, Taper Roller, 65 x 120 x 32.750
11		2F-0301		2	NUT, Lock
12		2F-0302		2	WASHER, Lock
13		2C-2923-100		2	WASHER, Locking Tab

Kit, Scraper



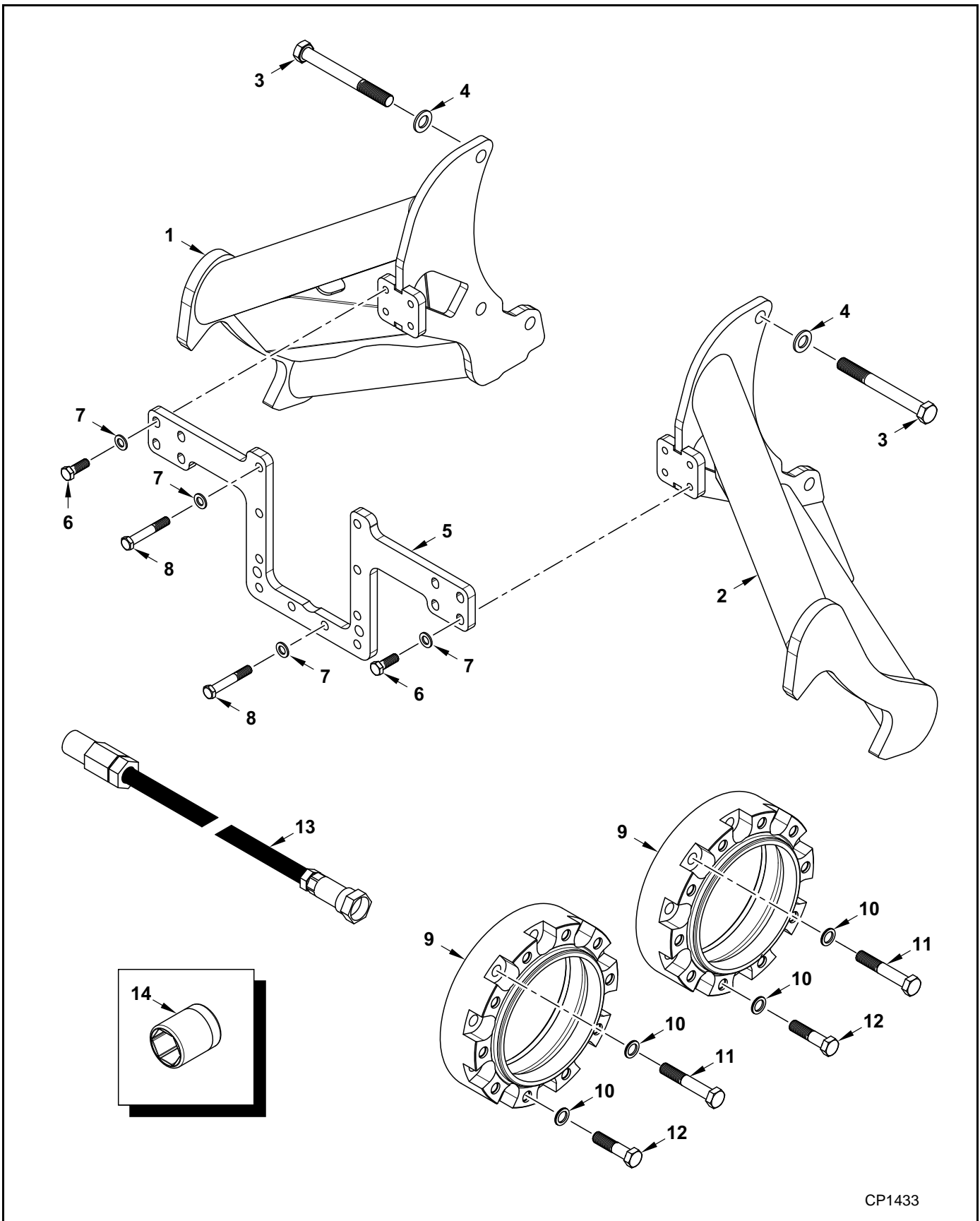
CP1506

REAR AXLE SYSTEMS

Kit, Scraper

Ref.	FN	Part Number	CTS Series	Qty.	Description
		2K-0105	30D22MC	1	KIT, Scraper, Mud, Includes items 1 - 3
			30D23MC	1	KIT, Scraper, Mud, Includes items 1 - 3
1		2C-2761		1	PLATE, Scraper, Outboard
2		2C-2760		1	PLATE, Scraper, Inboard
3		2F-0079		4	BOLT, Hex Fig.

Kit, Rear Axle Installation (New Holland T8 & CASE IH Magnum)



CP1433

REAR AXLE INSTALLATION KITS

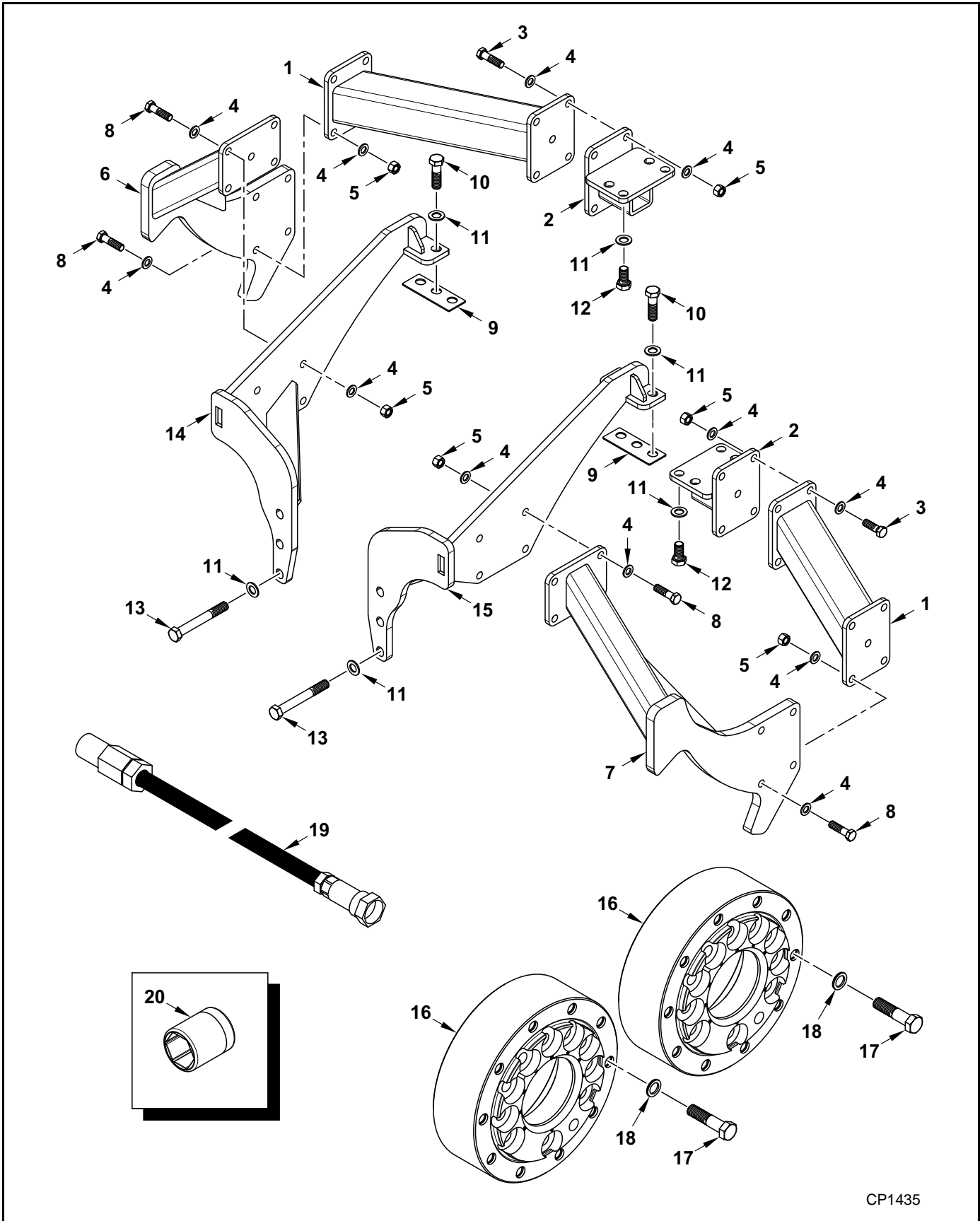
New Holland T8 & CASE IH Magnum

(2A-0998-100 & 2A-1052-100)

Ref.	FN	Part Number	CTS Series	Qty.	Description
		2K-0089		1	KIT, Axle Installation, Rear, Includes items 1- 14
		2A-0998-100		1	KIT, Oscillation Limiter, Includes items 1 - 8
1		2S-0391		1	STOP, Oscillation, LH, Rear
2		2S-0396		1	STOP, Oscillation, RH, Rear
3		2F-0369		6	BOLT, Hex, M24 x 220, CI 10.9
4		224091361		6	WASHER, M24
5		2C-2237		1	PLATE, Anti-rotation, Rear
6		2F-0367		8	BOLT, Hex, M16 x 45
7		2F-0112		18	WASHER, M16
8		2F-0368		10	BOLT, Hex, M16 x 100, CI 10
		2A-1052-100		1	HUB ASSY., Rear Adapter, Includes items 9 - 12
9		2C-2120		2	HUB, Adapter, Rear
10		2F-0392		40	WASHER, Nord-lock, M22
11		2F-0311		20	BOLT, Hex, M22 x 130, CI 10.9
12		2F-0444		20	BOLT, Hex, M22 x 90, CI 10.9
13		1000956		1	HOSE, Tensioning
14	1	2P-0039		1	SOCKET, 3/4" Drive

1 - Installation Tool

Kit, Rear Axle Installation (John Deere 7R Series)



CP1435

REAR AXLE INSTALLATION KITS

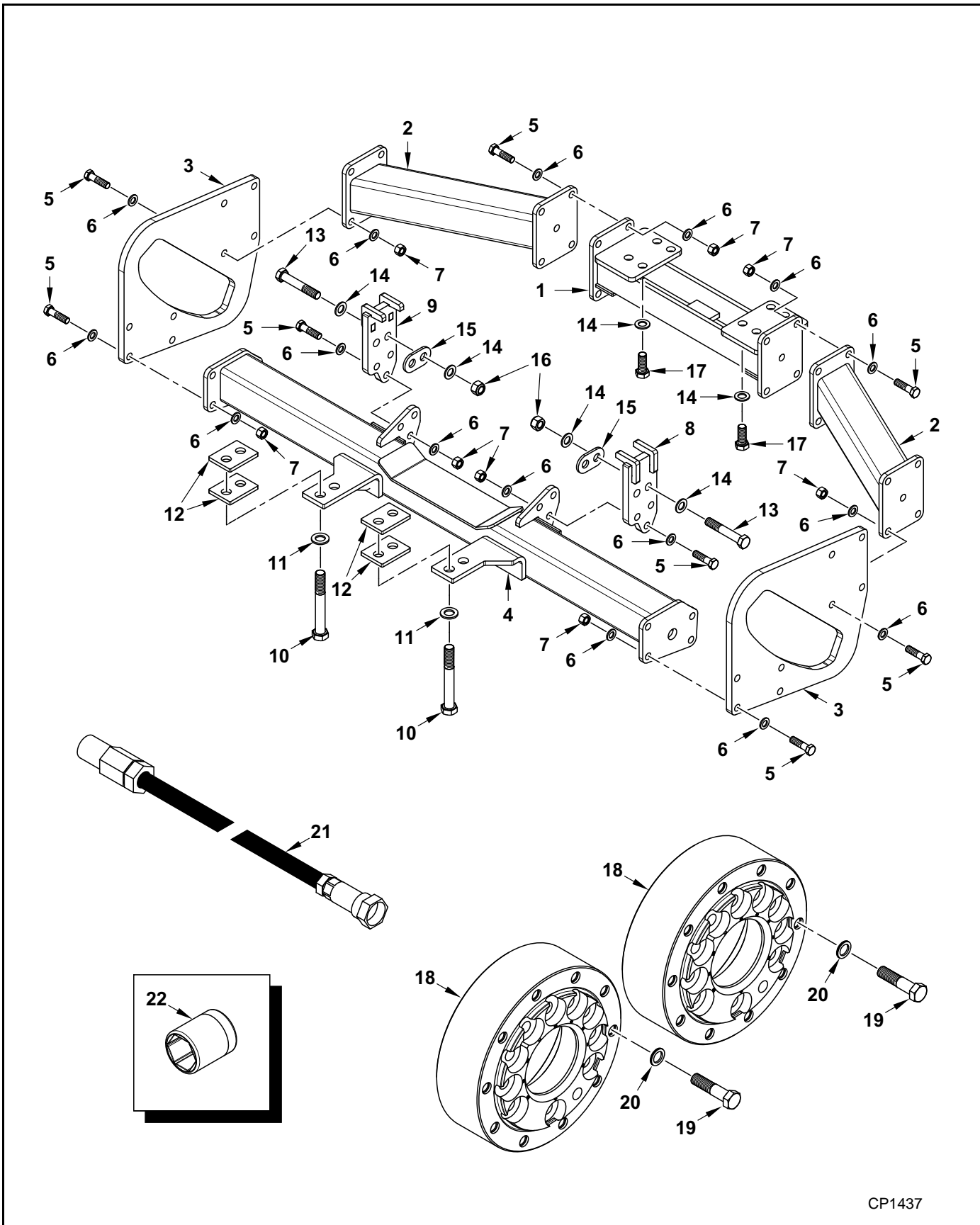
John Deere 7R Series

(2A-1135-100 & 2A-1221-100)

Ref.	FN	Part Number	CTS Series	Qty.	Description
		2K-0087		1	KIT, Installation, Rear Axle CTS, Includes items 1- 20
		2A-1135-100		1	KIT, Oscillation Limiter, Rear, Includes items 1 - 15
1		2S-0458		2	ARM, Rear
2		2S-0504		2	BRACKET, Front Attachment, Rear Oscillation Limiter
3		2F-0087		8	BOLT, Hex, M16 x 50, CI 10.9
4		2F-0112		48	WASHER, M16
5		2F-0310		24	NUT, Hex, M16, CI 10
6		2S-0502		1	LIMITER, Oscillation, Rear, LH
7		2S-0510		1	LIMITER, Oscillation, Rear, RH
8		2F-0064		16	BOLT, Hex, M16 x 60, CI 10.9
9		2C-2677-100		2	SPACER, Rear Limiter
10		2F-0158		4	BOLT, Hex, M20 x 70, CI 10.9
11		2F-0031		18	WASHER, M20
12		2F-0143		8	BOLT, Hex, M20 x 40, CI 10.9
13		2F-0396		6	BOLT, Hex, M20 x 160, CI 1.9
14		2S-0503		1	BRACKET, Mounting, Upper, LH, Rear Limiter
15		2S-0509		1	BRACKET, Mounting, Upper, RH, Rear Limiter
		2A-1221-100		1	KIT, Hub Adapter, Rear Axle, Includes items 16 - 20
16		2C-2683-100		2	HUB, Adapter, Rear
17		2F-0444		20	BOLT, Hex, M22 x 90, CI 10.9
18		2F-0392		20	WASHER, Nord-lock, Steel, M22
19		1000956		1	HOSE, Tensioning
20	1	2P-0039		1	SOCKET, 3/4" Drive

1 - Installation Tool

Kit, Rear Axle Installation (John Deere 8R Series)



REAR AXLE INSTALLATION KITS

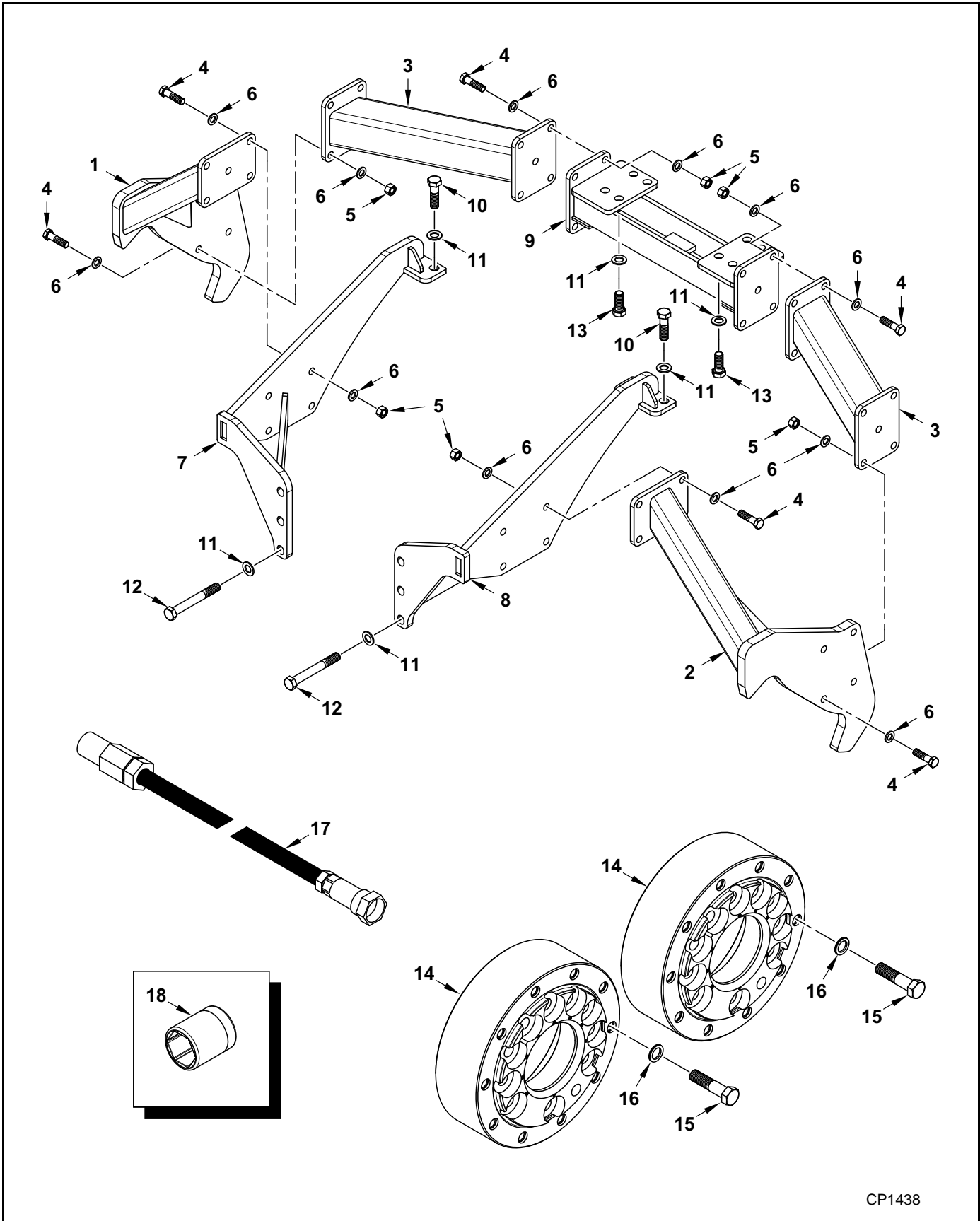
John Deere 8R Series
S/N 90000 and Earlier

(2A-1135-100 & 2A-1221)

Ref.	FN	Part Number	CTS Series	Qty.	Description
		2K-0083		1	KIT, Fitment, Rear Axle, Includes items 1- 22
		2A-1077-100		1	KIT, Oscillation Limiter, Rear, 8R, Includes items 1 - 17
1		2S-0459		1	CROSS MEMBER, Front, Rear Limiter
2		2S-0458		2	ARM, Rear
3		2C-2525		2	PLATE, Oscillation
4		2S-0492		1	BEAM, Main, Rear
5		2F-0064		30	BOLT, Hex, M16 x 60, CI 10.9
6		2F-0112		60	WASHER, M16
7		2F-0310		30	NUT, Hex, M16, CI 10
8		2S-0493		1	BRACKET, Support, RH, Rear Beam
9		2S-0494		1	BRACKET, Support, LH, Rear Beam
10		2F-0424		4	BOLT, Hex, M24 x 180, CI 10.9
11		224091361		4	WASHER, M24
12		2C-2495-100		4	SPACER, Drawbar, Class III
13		2F-0070		4	BOLT, Hex, M20 x 120, CI 1.9
14		2F-0031		16	WASHER, M20
15		2C-2541-100		2	PLATE, Mounting, Cross Member
16		2F-0409		4	NUT, Hex, M20
17		2F-0323		8	BOLT, Hex, M20 x 50, CI 10.9
		2A-1221-100		1	KIT, Hub Adapter, Rear Axle, Includes items 18 - 20
18		2C-2683		2	HUB, Adapter, Rear
19		2F-0444		20	BOLT, Hex, M22 x 90, CI 10.9
20		2F-0392		20	WASHER, Nord-lock, Steel M22
21		1000956		1	HOSE, Tensioning
22	1	2P-0039		1	SOCKET, 3/4" Drive

1 - Installation Tool

Kit, Rear Axle Installation (John Deere 8R Series)



CP1438

REAR AXLE INSTALLATION KITS

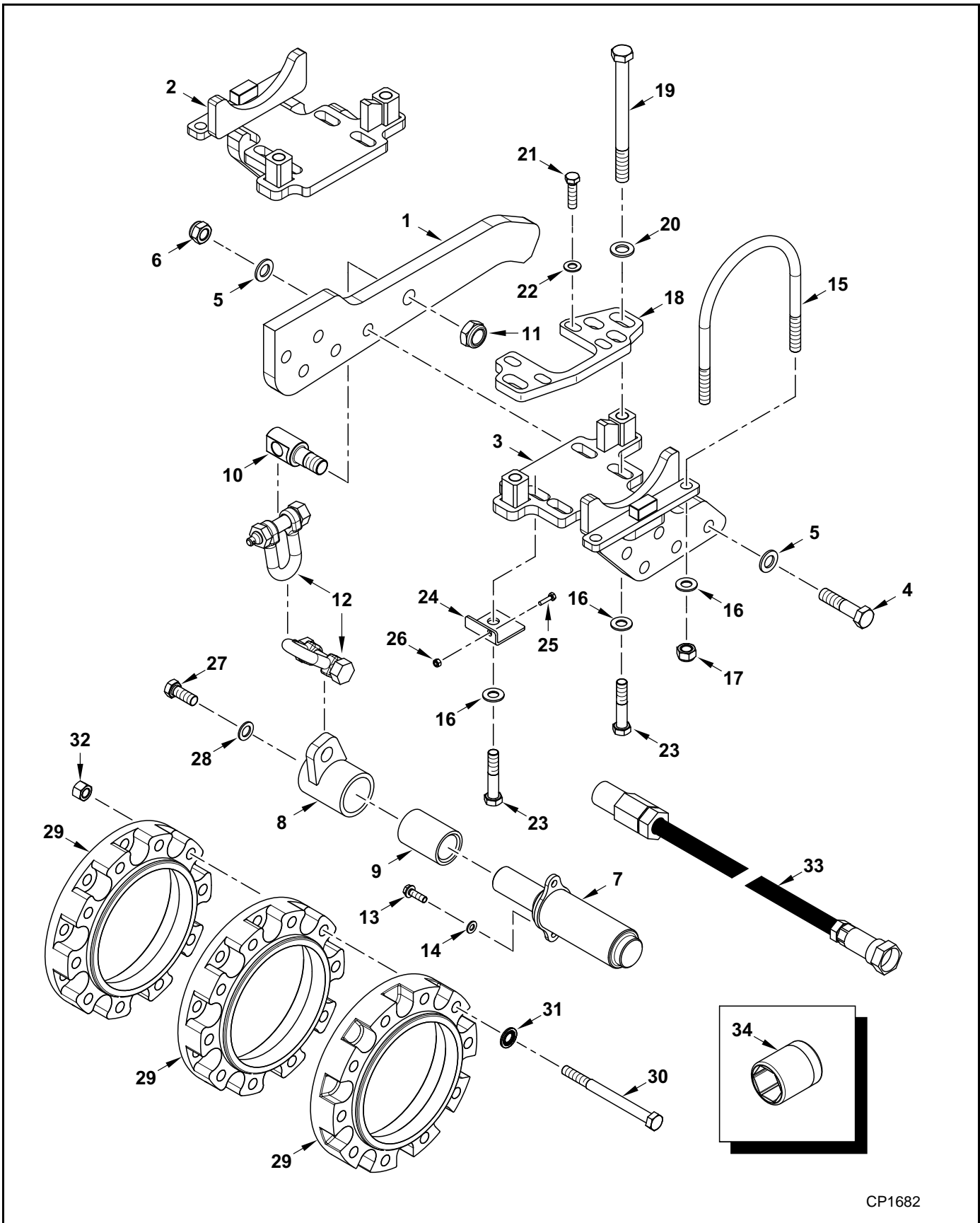
John Deere 8R Series
S/N 90000 and Later

(2A-1181-100 & 2A-1221-100)

Ref.	FN	Part Number	CTS Series	Qty.	Description
		2K-0085		1	KIT, Fitment, Rear Axle, Includes items 1- 18
		2A-1181-100		1	KIT, Oscillation Limiter, Rear, Includes items 1 - 13
1		2S-0532		1	LIMITER, Oscillation, Rear, LH
2		2S-0534		1	LIMITER, Oscillation, Rear, RH
3		2S-0458		2	ARM, Rear
4		2F-0064		24	BOLT, Hex, M16 x 60, CI 10.9
5		2F-0310		24	NUT, Hex, M16, CI 10
6		2F-0112		48	WASHER, M16
7		2S-0531		1	BRACKET, Mounting, Upper, LH, Rear Limiter
8		2S-0533		1	BRACKET, Mounting, Upper, RH, Rear Limiter
9		2S-0459		1	CROSS MEMBER, Front
10		2F-0158		4	BOLT, Hex, M20 x 70, CI 10.9
11		2F-0031		18	WASHER, M20
12		2F-0396		6	BOLT, Hex, M20 x 160, CI 10.9
13		2F-0323		8	BOLT, Hex, M20 x 50, CI 1.9
		2A-1221-100		1	KIT, Hub Adapter, Rear Axle, Includes items 14 - 16
14		2C-2683-100		2	HUB, Adapter, Rear
15		2F-0444		20	BOLT, Hex, M22 x 90, CI 10.9
16		2F-0392		20	WASHER, Nord-lock, Steel, M22
17		1000956		1	HOSE, Tensioning
18	1	2P-0039		1	SOCKET, 3/4" Drive

1 - Installation Tool

Kit, Rear Axle Installation (Fendt 900 Series)



CP1682

REAR AXLE INSTALLATION KITS

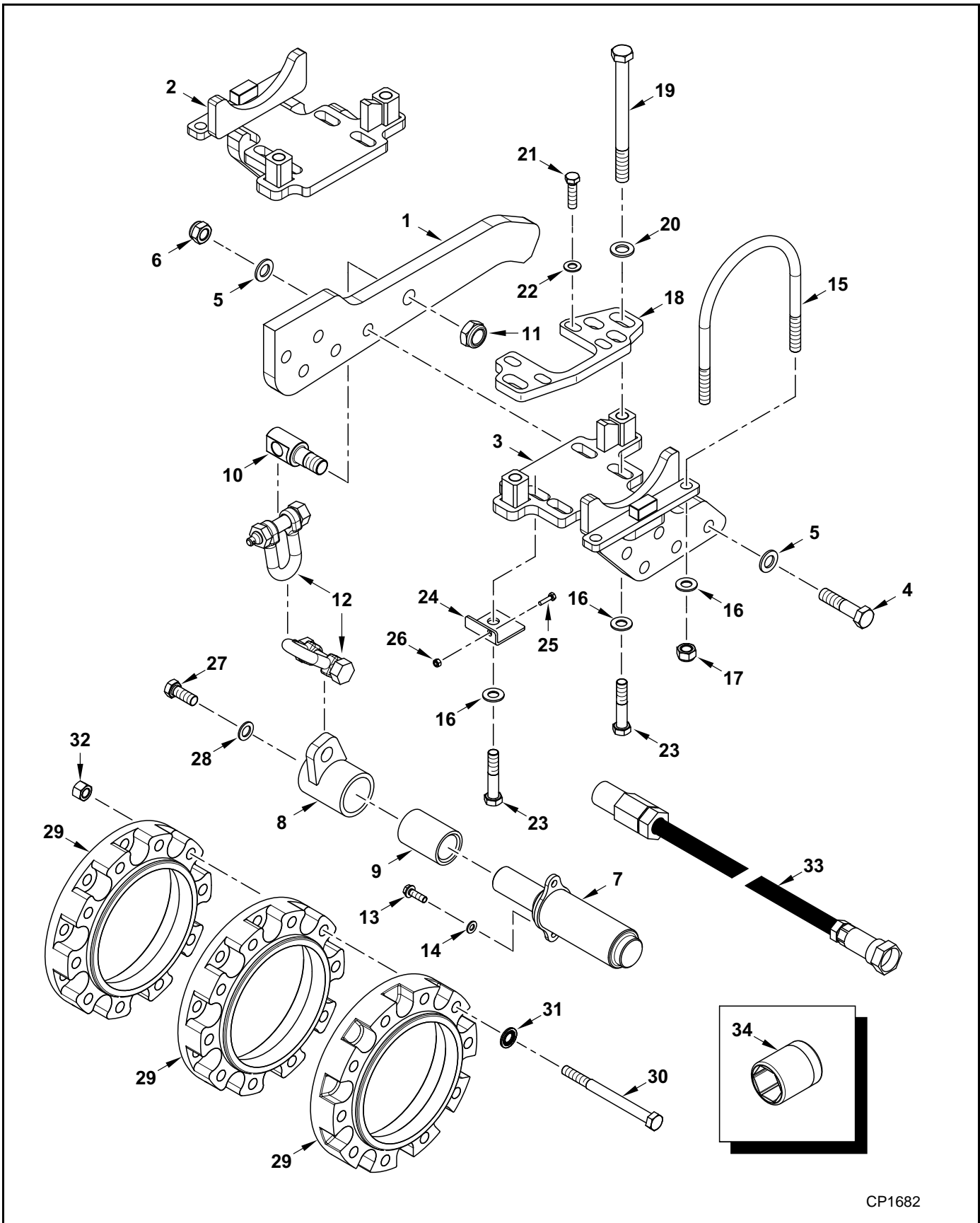
Fendt 900 Series

(2A-1181-100 & 2A-1221-100)

Ref.	FN	Part Number	CTS Series	Qty.	Description
		2K-0133		1	KIT, Fitment, Rear Axle, 30" Tracks, Includes items 1- 32
		2K-0131		1	KIT, Fitment, Rear Axle, 36" Tracks, Includes items 1- 32
		2A-1317-100		1	KIT, Oscillation Limiter, Rear, Includes items 1 - 28
1		2C-2929-100		2	BRACKET, Mounting, Limiter
2		2S-1236-100		1	LIMITER, Oscillation, Rear, LH
3		2S-1237-100		1	LIMITER, Oscillation, Rear, RH
4		2F-0207		5	BOLT, Hex, M24 x 100, CI 10.9
5		224091361		10	WASHER
6		2F-0221		5	NUT, Hex, M247
7		2S-1234-100		2	SOLENOID
8		2S-1235		2	MOUNT, Solenoid
9		2C-2924-100		2	BUSHING
10		2C-2927-100		2	BRACKET, Mounting, Chain Link
11		2F-0384		2	NUT, Lock, Nylon, M30
12		2M-0208		4	LINK ASY., Chain
13		2F-0279		4	BOLT, Hex, M12 x 40, CI 1.9
14		2F-0273		4	WASHER, M12
15		2F-0477		2	BOLT, U-type, M20 x 240 Heavy
16		2F-0275		12	WASHER, M20
17		2F-0366		4	NUT, Hex, M20
18		2C-2928-100		2	BRACKET, Mounting
19		2F-0474		4	BOLT, Hex, M24 x 280, CI 1.9
20		224091361		4	WASHER
21		2F-0064		8	BOLT, Hex, M16 x 60, CI 1.9
22		2F-0314		8	WASHER, M16
23		2F-0069		6	BOLT, Hex, M20 x 100, CI 10.9
24		2C-2926-100		2	BRACKET, Mounting
25		2F-0481		1	BOLT, Hex, M8 x 30, CI 8.8
26		2F-0482		1	NUT, Hex, M8
27		2F-0288		1	BOLT, Hex
28		2F-0261		1	WASHER, M20

Continued on Next Page

Kit, Rear Axle Installation (Fendt 900 Series)



CP1682

REAR AXLE INSTALLATION KITS

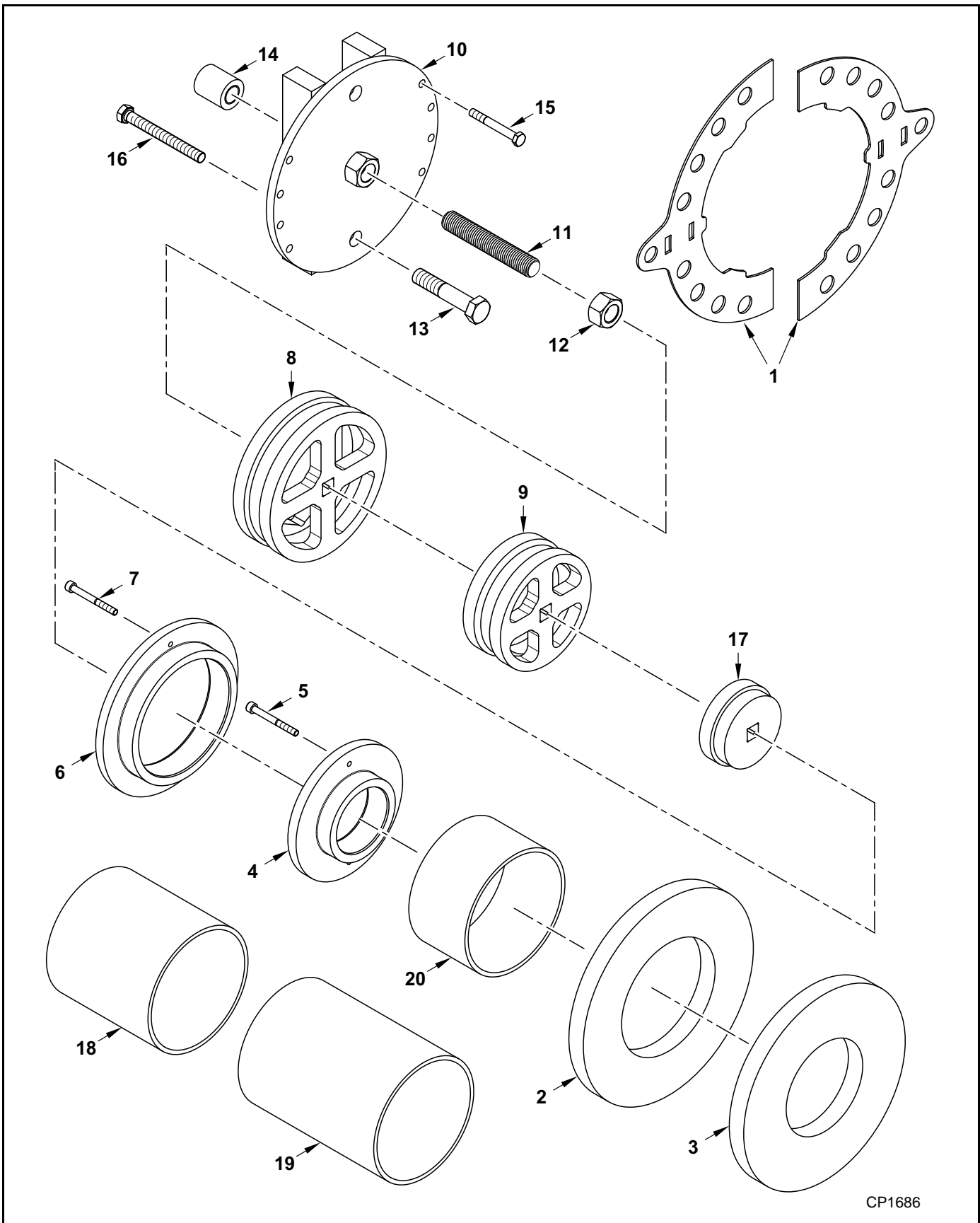
Fendt 900 Series

(2A-1181-100 & 2A-1221-100)

Ref.	FN	Part Number	CTS Series	Qty.	Description
		2K-0133		1	KIT, Fitment, Rear Axle, 30" Tracks, Includes items 1- 32
		2K-0131		1	KIT, Fitment, Rear Axle, 36" Tracks, Includes items 1- 32
		2A-1340-100		1	KIT, Hub Adapter, Rear Axle, 30" Tracks, Includes items 29 - 32
		2A-1318-100		1	KIT, Hub Adapter, Rear Axle, 36" Tracks, Includes items 29 - 32
29		1000902		4	HUB, Adapter, Rear, 30" Tracks
		1000902		6	HUB, Adapter, Rear, 36" Tracks
30		2F-0162		20	BOLT, Hex, M20 x 170, CI 10.9, 30" Tracks
		2F-0483		20	BOLT, Hex, M20 x 230, CI 10.9, 36" Tracks
31		2F-0275		20	WASHER, M20
32		2F-0296		20	NUT, M20
33		1000956		1	HOSE, Tensioning
34	1	2P-0039		1	SOCKET, 3/4" Drive

1 - Installation Tool

Special Tools, CTS Service Tool Kit



CP1686

SPECIAL TOOLS

CTS Service Tool Kit

Ref.	FN	Part Number	CTS Series	Qty.	Description
		2P-0101		1	PLATE ASSY., Mounting, Includes items 1- 17
1		2P-0093-100		2	PLATE, Mounting
2		2P-0095		1	SPACER, Large Seal Installation Plate
3		2P-0094		1	SPACER, Small Seal Installation Plate
		2P-0091		1	PLATE ASSY., Mounting, Includes items 4 & 5
4		2P-0081		1	PLATE, Mounting
5		2F-0257		2	BOLT, Hex, M8 x 75, CI 10.9
		2P-0092		1	PLATE ASSY., Mounting, Includes items 6 & 7
6		2P-0082		1	PLATE, Mounting
7		2F-0257		2	BOLT, Hex, M8 x 75, CI 10.9
8		2P-0083		1	SPACER ASSY.
9		2P-0084		1	SPACER ASSY.
		2P-0080		1	PLATE ASSY., Mounting, Includes items 10 - 17
10		2S-1257		1	PLATE, Mounting
		2M-0255		1	BOLT ASSY., Mounting Rod, Includes 11 & 12
11		2M-0254		1	BOLT, Mounting Rod, 6" x 1"
12		3F-0124		1	NUT, Hex, 1" -8
13		2F-0312		2	BOLT, Hex, M20 x 100, CI 10.9
14		2M-0236		1	SPACER, Swivel Pad 1"
15		2F-0441		8	BOLT, Hex, M10 x 80, CI 10.9
16		2F-0500		3	BOLT, Hex, M14 x 130, CI 10.9
17		2P-0085		1	SPACER ASSY.
18		2P-0103		1	BUSHING
19		2P-0104		1	BUSHING
20		2P-0105		1	BUSHING

