

PARTS MANUAL

CPB-513
2P-0035

Trailed Track System (TTS)

70 Series (236" Track including 70-2516, 70-2517, 70-3011, 70-3012,
70-3611 & 70-3612)

80 & 100 Series (302" Track including 80-3013, 80-3014, 100-3014, 100-3613 &
100-3614)

100 & 110 Series (324" Track including 100-3612, 110-3614 & 110-3615)



TABLE OF CONTENTS

FOREWORD	4
Track Series & Brand Comparison	4
TTS Special Tools Kit	4
Abbreviations	5
Location of Product Model and Serial Number (Identification plate)	5
Parts Ordering Procedure	5
Parts List Format	5
TRAILED TRACK SYSTEM 70 SERIES	
(236" TRACK) (INCLUDES 70-2516, 70-2517, 70-3011, 70-3012, 70-3611, 70-3612)	1-2
Track & Undercarriage	1-2
Undercarriage Assembly	1-4
Frame Assembly	1-6
Tension Link Assembly	1-8
Tensioner Assembly	1-10
Alignment Assembly	1-12
Bogie Assembly - Mid-roller	1-14
Hub - Idler	1-16
Hub - Mid-roller	1-18
TRAILED TRACK SYSTEM 80 & 100 SERIES	
(302" TRACK) (INCLUDES 80-3013, 80-3014, 100-3014, 100-3613, 100-3614)	2-2
Track & Undercarriage	2-2
Undercarriage Assembly	2-4
Frame Assembly	2-6
Tension Link Assembly	2-8
Tensioner Assembly	2-10
Alignment Assembly	2-12
Bogie Assembly - Mid-roller	2-14
Carrier Assembly	2-16
Hub - Idler	2-18
Hub - Mid-roller	2-20
TRAILED TRACK SYSTEM 100 & 110 SERIES	
(324" TRACK) (INCLUDES 100-3612, 110-3614, 110-3615)	3-2
Track & Undercarriage	3-2
Undercarriage Assembly	3-4
Frame Assembly	3-6
Tension Link Assembly	3-8
Tensioner Assembly	3-10
Alignment Assembly	3-12
Bogie Assembly - Mid-roller	3-14
Carrier Assembly	3-16
Hub - Idler	3-18
Hub - Mid-roller	3-20

Continued on Following Page

FITMENT KITS 4-2
 Axles 4-2
 4.5", 5.5" & 149mm Straight Pins 4-8
 6" & 9" Stabilizer Assemblies 4-10
 16.75" & 24" Stabilizer Assemblies 4-12

FOREWORD

Track Series & Brand Comparison

70 Series (236" Track)

TTS Model	70-2516 70-2517	70-3011 70-3012	70-3611 70-3612
Track Size	236" x 25"	236" x 30"	236" x 36"
Track Part Number	G25BN03582	G30BN03583	G36BN03587

80 & 100 Series (302" Track)

TTS Model	80-3013 80-3014	100-3014	100-3613 100-3614
Track Size	302" x 30"	302" x 30"	302" x 36"
Track Part Number	G30BP03584	G30BP03584	G36BP03586

100 & 110 Series (324" Track)

TTS Model	100-3612	110-3614 110-3615
Track Size	324" x 36"	324" x 36"
Track Part Number	G36BR03585	G36BR03585

TTS Special Tools Kit

Part Number	FN	Description
2P-0204		TTS Special Tools Kit (Includes items below)
2P-0019-100	1	Mechanical Face Seal Installation Tool (Idler)
2P-0259	2	Mechanical Face Seal Installation Tool (Idler)
2P-0020-100		Mechanical Face Seal Installation Tool (Mid-roller)
2P-0021-100		Spanner Socket (Mid-roller & Idler)
2P-0022-100		Spanner Socket (Carrier Roller)
2P-0180-100		Lock Washer Tab Bender
2P-0205-100		Tensioning Spring Locknut Socket

1 - Used on all idlers **except:** 40-1511, 40-1512, 45-1815 & 45-1816

2 - Used on idlers: 40-1511, 40-1512, 45-1815 & 45-1816

FOREWORD (CONT'D)

Abbreviations

- FN** - Footnote is a column in the parts list used to communicate information that directly effects the part it's lined up with. The number used will correspond with information located below the parts list.
- REF** - Reference used in the part number column indicates the part has special service information. The location of this information is often referenced in the description column.
- UAR** - Use As Required (UAR) is used in the quantity column indicating the number of parts used is determined by service needs.
- NSS** - Not Serviced Separately (NSS) in a part number column indicates the part is not available for service.

Location of Product Model and Serial Number (Identification plate)



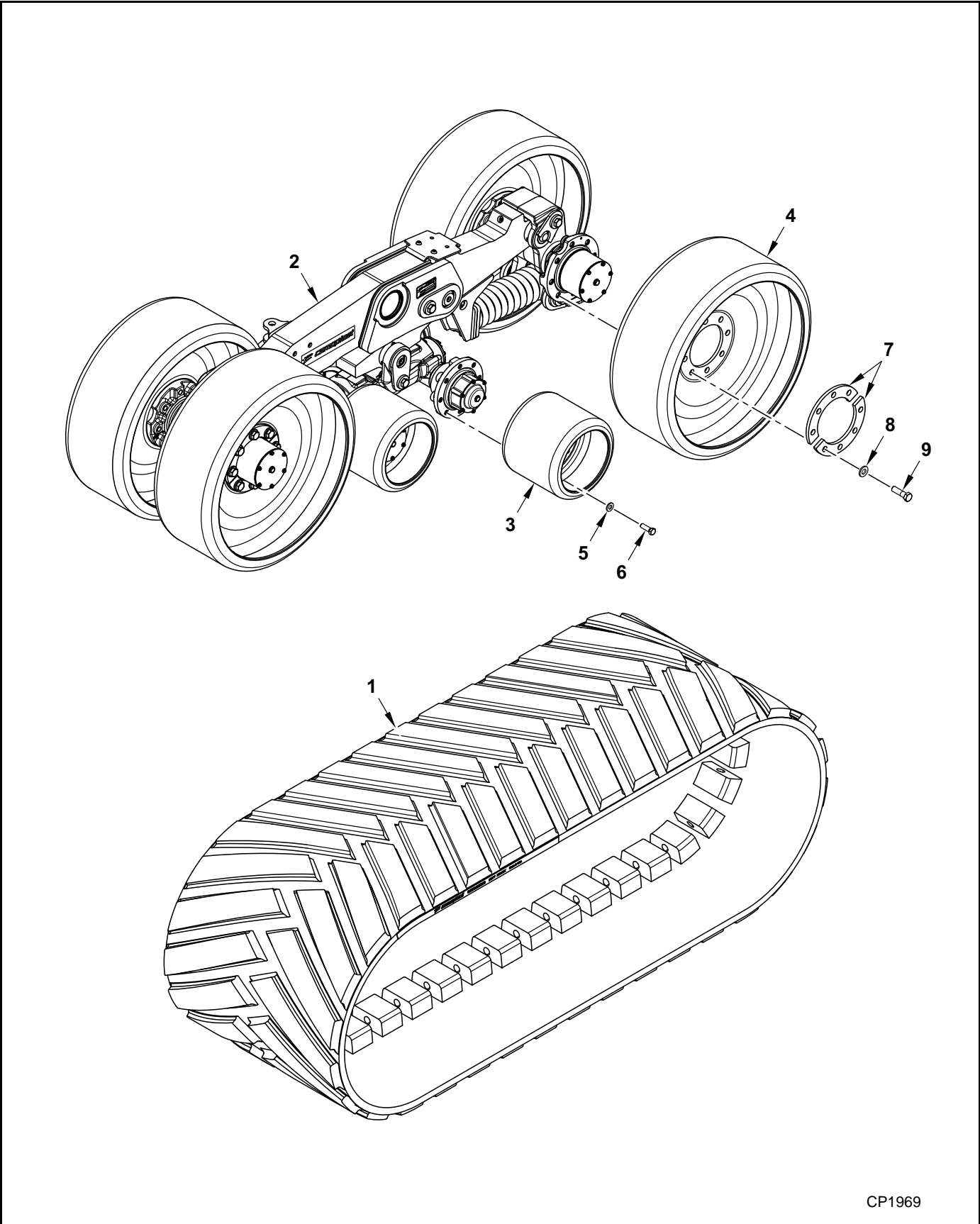
Parts Ordering Procedure

When ordering parts for your Trailed Track System (TTS), please contact an authorized TTS dealer in your area. If the parts are associated with a possible warranty claim, make sure that you contact the original dealer from which you purchased the TTS. Make sure to provide the TTS model, Serial number, Part number, Part description and quantity.

Parts List Format

TTS Series Column - This column is used to list TTS series model numbers in the event the part needs to be ordered by model. If the column is blank that part is used for all models.

Track & Undercarriage



CP1969

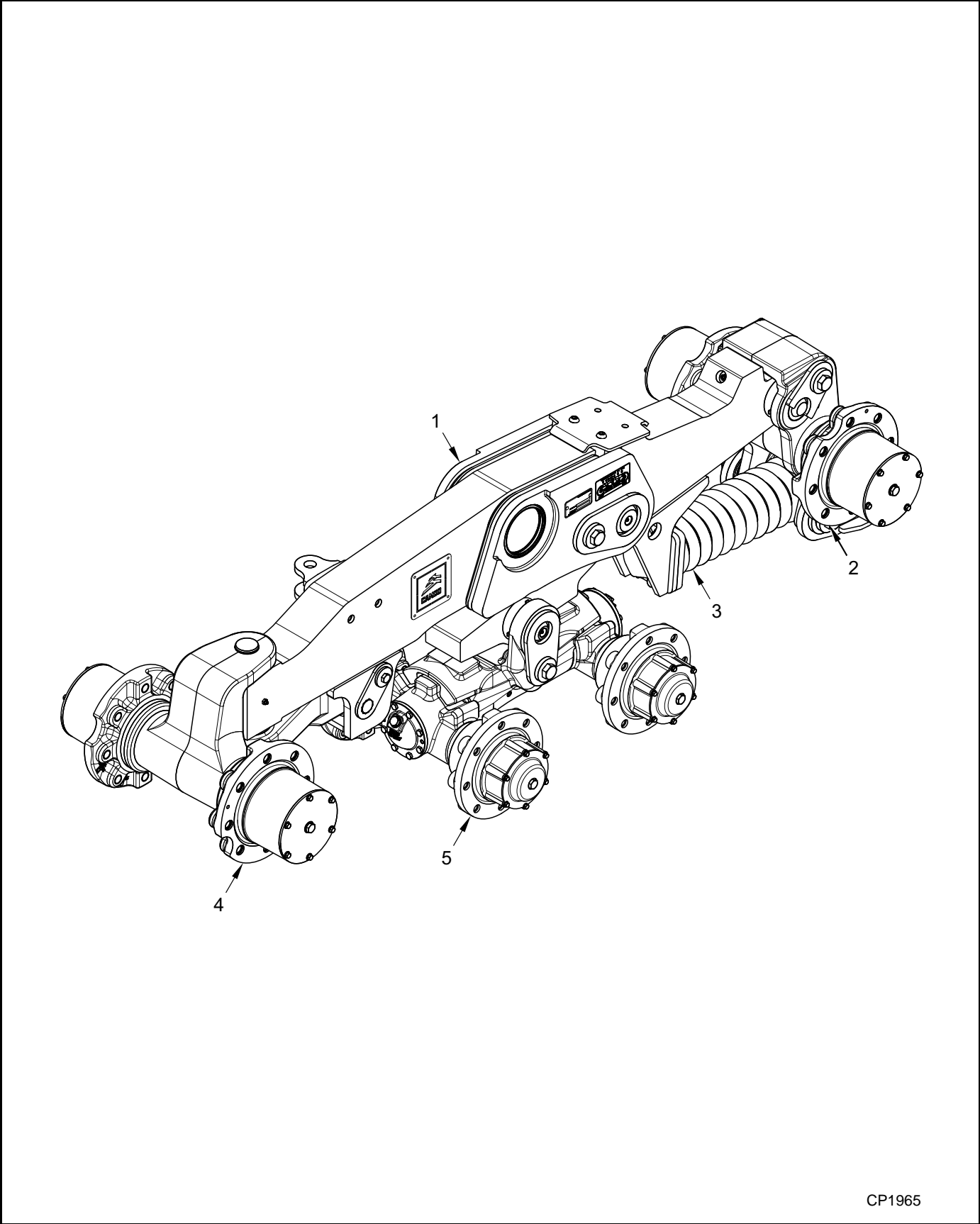
TRAILED TRACK SYSTEM 70 SERIES
(236" TRACK) (INCLUDES 70-2516, 70-2517, 70-3011, 70-3012, 70-3611, 70-3612)

Track & Undercarriage

(2A-2541, 2A-2542 & 2A-2543)

Ref.	FN	Part Number	TTS Series	Qty.	Description	
1		G25BN03582	70-2516	1	TRACK, Rubber, 236" x 25"	
			70-2517	1	TRACK, Rubber, 236" x 25"	
		G30BN03583	70-3011	1	TRACK, Rubber, 236" x 30"	
			70-3012	1	TRACK, Rubber, 236" x 30"	
		G36BN03587	70-3611	1	TRACK, Rubber, 236" x 36"	
			70-3612	1	TRACK, Rubber, 236" x 36"	
2		REF		1	UNDERCARRIAGE ASSY., See page 1-4	
3		4W-0327-101SP	70-2516	4	WHEEL, Mid-roller, TTS Gray, (25" Track)	
			70-2517	4	WHEEL, Mid-roller, TTS Gray, (25" Track)	
		4W-0327-101SP	70-3011	4	WHEEL, Mid-roller, TTS Gray, (30" Track)	
			70-3012	4	WHEEL, Mid-roller, TTS Gray, (30" Track)	
		4W-0321-101SP	70-3611	4	WHEEL, Mid-roller, TTS Gray, (36" Track)	
			70-3612	4	WHEEL, Mid-roller, TTS Gray, (36" Track)	
		4W-0327-103SP	70-3011	4	WHEEL, Mid-roller, Semi-gloss Black, (30" Track)	
			70-3012	4	WHEEL, Mid-roller, Semi-gloss Black, (30" Track)	
		4W-0321-103SP	70-3611	4	WHEEL, Mid-roller, Semi-gloss Black, (36" Track)	
			70-3612	4	WHEEL, Mid-roller, Semi-gloss Black, (36" Track)	
	4		5W-0281-101SP	70-2516	4	WHEEL, Idler, TTS Gray, (25" Track)
				70-2517	4	WHEEL, Idler, TTS Gray, (25" Track)
		5W-0281-101SP	70-3011	4	WHEEL, Idler, TTS Gray, (30" Track)	
			70-3012	4	WHEEL, Idler, TTS Gray, (30" Track)	
		5W-0287-101SP	70-3611	4	WHEEL, Idler, TTS Gray, (36" Track)	
			70-3612	4	WHEEL, Idler, TTS Gray, (36" Track)	
		5W-0281-103SP	70-3011	4	WHEEL, Idler, Semi-gloss, Black, (30" Track)	
			70-3012	4	WHEEL, Idler, Semi-gloss, Black, (30" Track)	
		5W-0287-103SP	70-3611	4	WHEEL, Idler, Semi-gloss, Black, (36" Track)	
			70-3612	4	WHEEL, Idler, Semi-gloss, Black, (36" Track)	
5			2F-0065		32	WASHER, Flat, M16
6			2F-0087		32	BOLT, Hex, M16 x 50 Gr 10.9
7		2C-2030-100		8	RING, Back-up	
8		224091351		32	WASHER, Flat, 21.4 x 42 x 5 mm	
9		2F-0158		32	BOLT, Hex, M20 x 70 Gr 10.9	

Undercarriage Assembly



CP1965

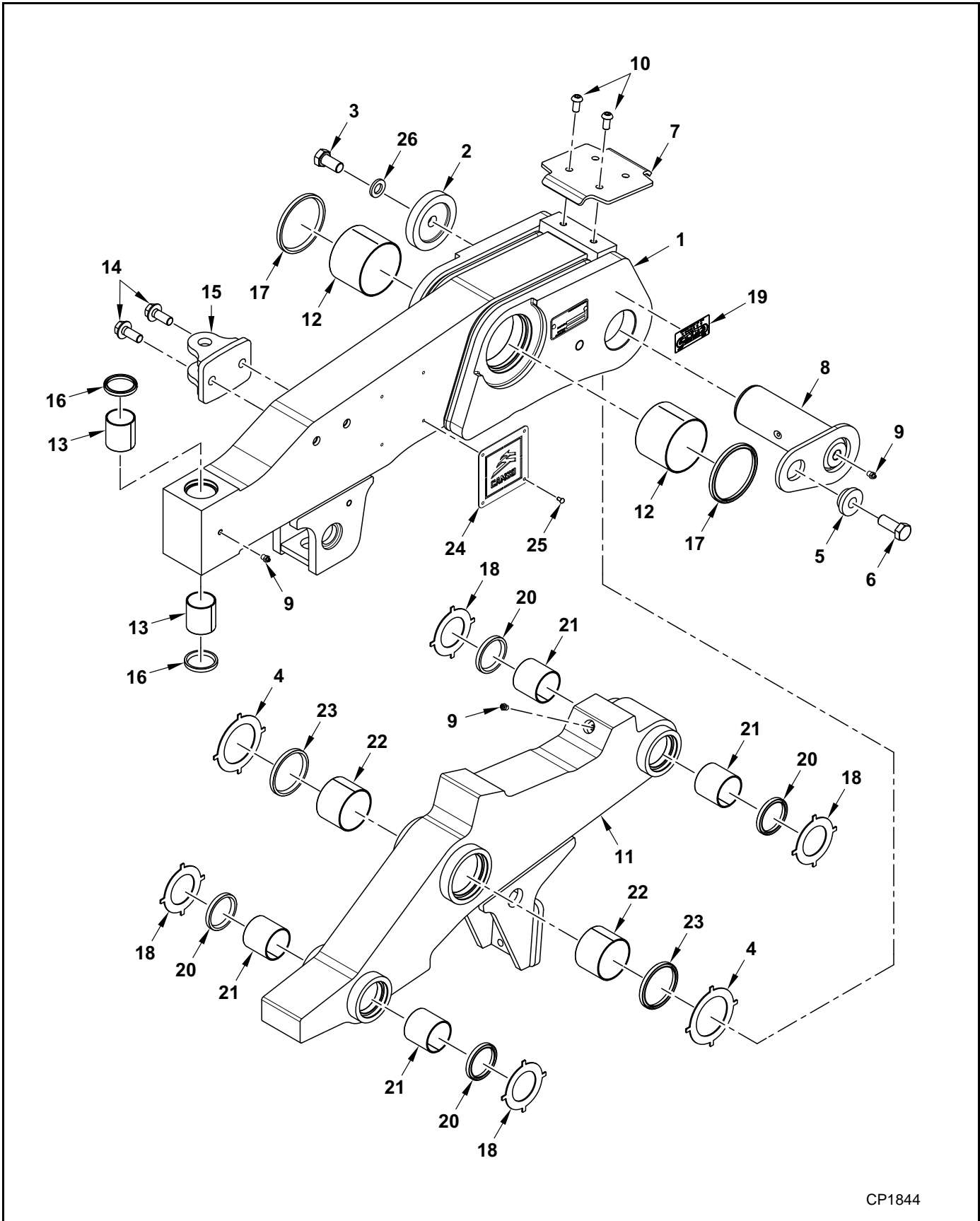
TRAILED TRACK SYSTEM 70 SERIES
(236" TRACK) (INCLUDES 70-2516, 70-2517, 70-3011, 70-3012, 70-3611, 70-3612)

Undercarriage Assembly

(2A-2540)

Ref.	FN	Part Number	TTS Series	Qty.	Description
1		REF		1	FRAME ASSY., See page 1-6
2		REF		1	TENSION LINK ASSY., See page 1-8
3		REF		1	TENSIONER ASSY., See page 1-10
4		REF		1	ALIGNMENT ASSY., See page 1-12
5		REF		1	BOGIE ASSY., Mid-roller, See page 1-14

Frame Assembly



CP1844

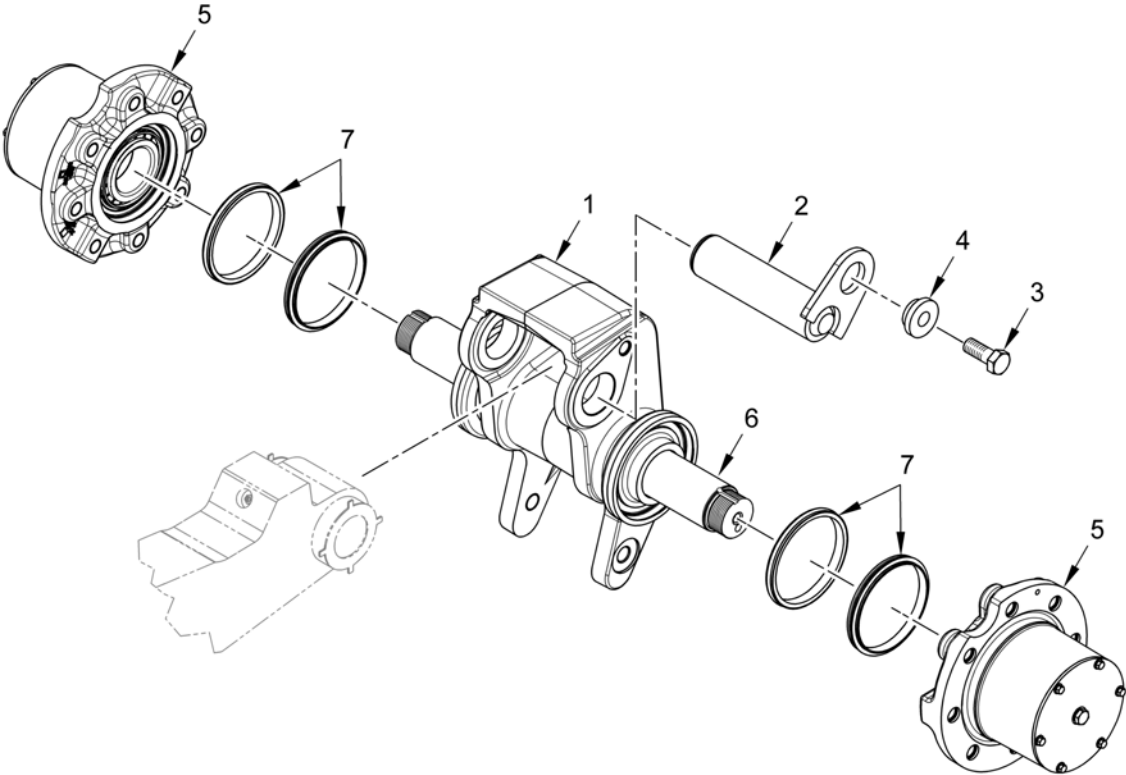
TRAILED TRACK SYSTEM 70 SERIES
(236" TRACK) (INCLUDES 70-2516, 70-2517, 70-3011, 70-3012, 70-3611, 70-3612)

Frame Assembly

(2A-2540)

Ref.	FN	Part Number	TTS Series	Qty.	Description
1		2A-0964-100SP		1	FRAME, Main, Includes item 12, 13, 16 & 17
2		2C-2025-100		1	CAP, End, 80 mm
3		2F-0143		1	BOLT, Hex, M20 x 40 Gr 10.9
4		2C-2033-100		2	WASHER, Thrust, 60 mm
5		2C-2024-100		1	SPACER, Flg., M20
6		2F-0323		1	BOLT, Hex, M20 x 50 Gr 10.9
7		2C-2157-101SP		1	DEFLECTOR, Black
8		2S-0350-000		1	PIN
9		2H-0060		3	FITTING, Grease, 1-8"-27 PTF
10		2F-0307		2	BOLT, Flg., K-socket, M12 x 25 CI 10.9
11		2A-0952-100SP		1	ARM, Tandem, Includes items 9, 20, 21, 22 & 23
12		2B-0130		2	BUSHING
13		2B-0118		2	BUSHING
14		761804065		2	BOLT, Hex Flg., M16 x 40 CI 10.9
15		2S-0416-101SP		1	BRACKET, Side
16		2J-0116		2	SEAL, Scraper, 50 x 62 x 7 mm thk
17		2J-0143		2	SEAL, Scraper, 105 x 120 x 8 mm thk
18		2C-2032-100		4	WASHER, Thrust, 60 mm
19		2M-0160-100		1	DECAL, TTS Greasing
20		2J-0117		4	SEAL, Scraper, 60 x 74 x 8 mm thk
21		2B-0117		4	BUSHING, 60 x 65 x 60 mm thk
22		2B-0116		2	BUSHING, 80 x 85 x 60 mm thk
23		2J-0118		2	BUSHING, 80 x 94 x 8 mm thk
24		2M-0179-100		1	PLATE, Branding, Camso
25		2F-0096		4	SCREW, Drive, SCR Type-U, SS
26		224090131		1	WASHER, ISO 7091, 300HV, zn

Tension Link Assembly



CP0947

TRAILED TRACK SYSTEM 70 SERIES
(236" TRACK) (INCLUDES 70-2516, 70-2517, 70-3011, 70-3012, 70-3611, 70-3612)

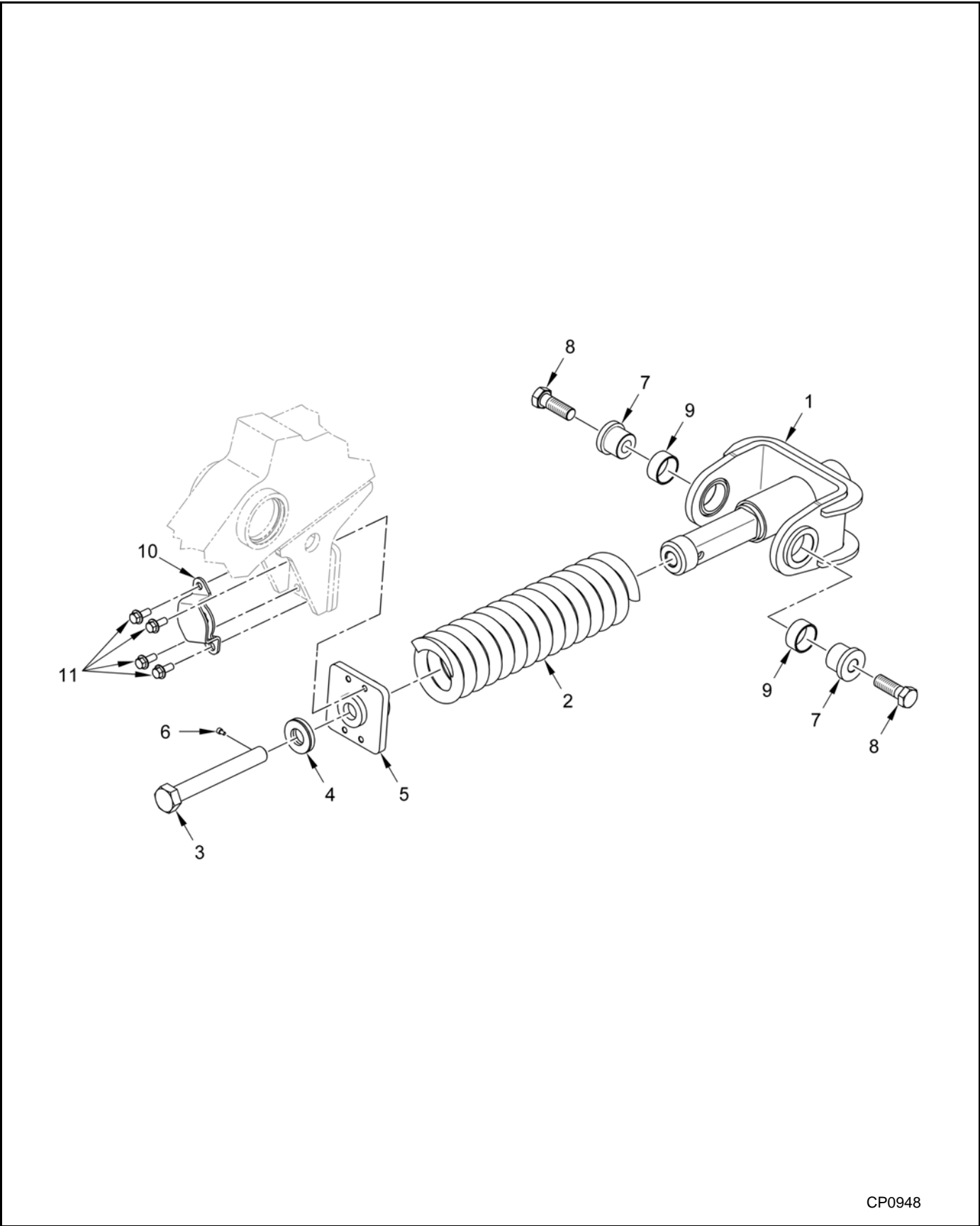
Tension Link Assembly

(2A-0924 & 2A-2540)

Ref.	FN	Part Number	TTS Series	Qty.	Description
		2A-0924-101SP		1	LINK ASSY., Tension, Includes items 1, 5, 6 & 7
1		2A-0925-101		1	LINK, Tension
2		2S-0424-000		1	PIN, Tensioner
3		2F-0323		1	BOLT, Hex, M20 x 50 CI 10.9
4		2C-2024-100		1	SPACER, Flg., M20
5		NSS		1	HUB, Idler, See page 1-16
6		NSS		1	AXLE, Idler
7	1	2J-0026		2	SEAL, Mechanical Face, 127 mm ID

1 - For Special Tooling use p/n 2P-0019-100 Seal Installation Tool available from Camso.

Tensioner Assembly



CP0948

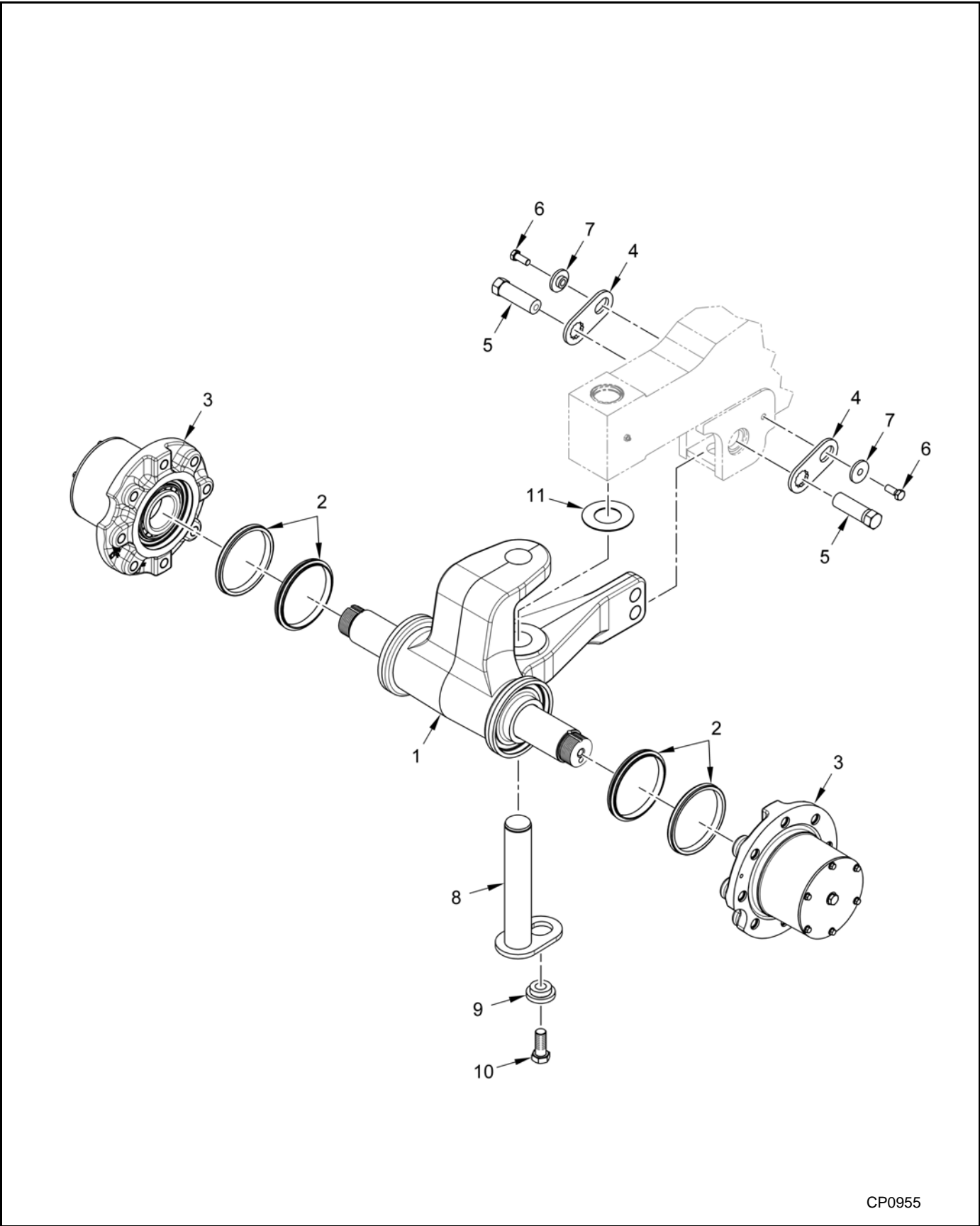
TRAILED TRACK SYSTEM 70 SERIES
(236" TRACK) (INCLUDES 70-2516, 70-2517, 70-3011, 70-3012, 70-3611, 70-3612)

Tensioner Assembly

(2A-1001 & 2A-2540)

Ref.	FN	Part Number	TTS Series	Qty.	Description
		2A-1001-100SP		1	TENSIONER ASSY., Track, Includes items 1 - 6, 9
1		2A-0994-100SP		1	SEAT, Spring
2		2M-0145-01SP		1	SPRING
3		2C-2255-100		1	SCREW, Compression, M24 x 3.5 x 240
4		2F-0322		1	WASHER, Flat, 1.25"
5		2S-0429-101SP		1	SUPPORT, Head
6		2F-0324		1	SCREW, Set, Hex Socket, M6 x 10 CI 12.9
7		2C-2262-100		2	SPACER
8		2F-0181		2	BOLT, Hex, M24 x 70 CI 10.9
9		2B-0133		2	BUSHING, Oiltite
10		2S-0432-001SP		1	CAP, Locking
11		2F-0001		4	BOLT, Hex Flg., M12 x 30 CI 10.9

Alignment Assembly



CP0955

TRAILED TRACK SYSTEM 70 SERIES
(236" TRACK) (INCLUDES 70-2516, 70-2517, 70-3011, 70-3012, 70-3611, 70-3612)

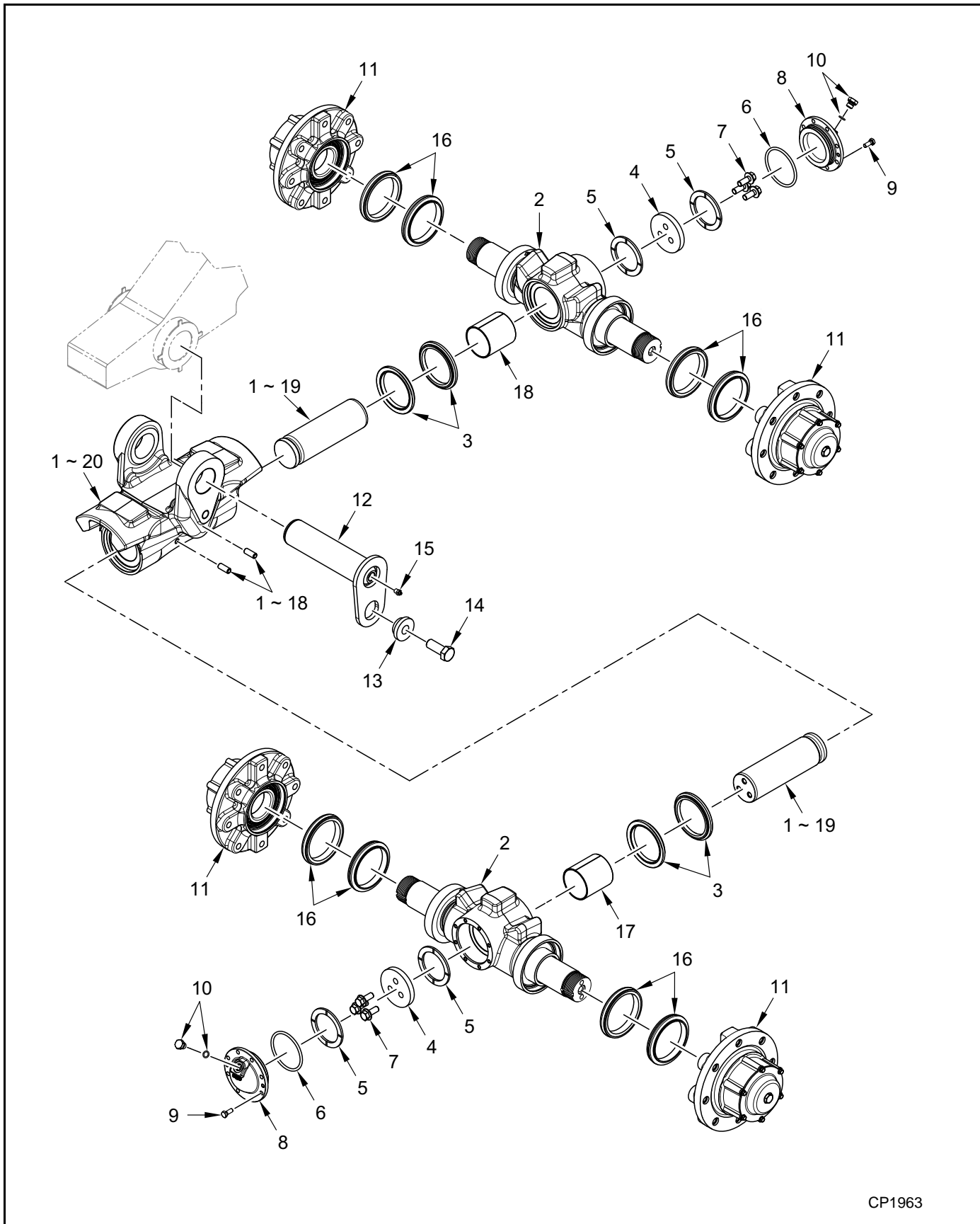
Alignment Assembly

(2A-0922 & 2A-2540)

Ref.	FN	Part Number	TTS Series	Qty.	Description
		2A-0922-101SP		1	ALIGNMENT ASSY., Lever, Includes items 1 - 3
1		2A-0923-101		1	LEVER, Alignment
2	1	2J-0026		2	SEAL, Mechanical Face, 127 mm ID
3		NSS		2	HUB, Idler, See page 1-16
4		2C-0387		2	PLATE, Lock
5		2F-0531		2	SCREW, Set, Special, 1-1/8" x 85 mm
6		2F-0005		2	BOLT, Hex, M12 x 30 CI 10.9
7		2C-0008		2	SPACER, Flanged
8		2S-0352-000		1	PIN, Mounting
9		2C-2024-100		1	SPACER, Flg., M20
10		2F-0323		1	BOLT, Hex, M20 x 50 CI 10.9
11		2C-2023-100		1	WASHER, Thrust, 50 mm

1 - For Special Tooling use p/n 2P-0019-100 Seal Installation Tool available from Camso.

Bogie Assembly - Mid-roller



CP1963

TRAILED TRACK SYSTEM 70 SERIES
(236" TRACK) (INCLUDES 70-2516, 70-2517, 70-3011, 70-3012, 70-3611, 70-3612)

Bogie Assembly - Mid-roller

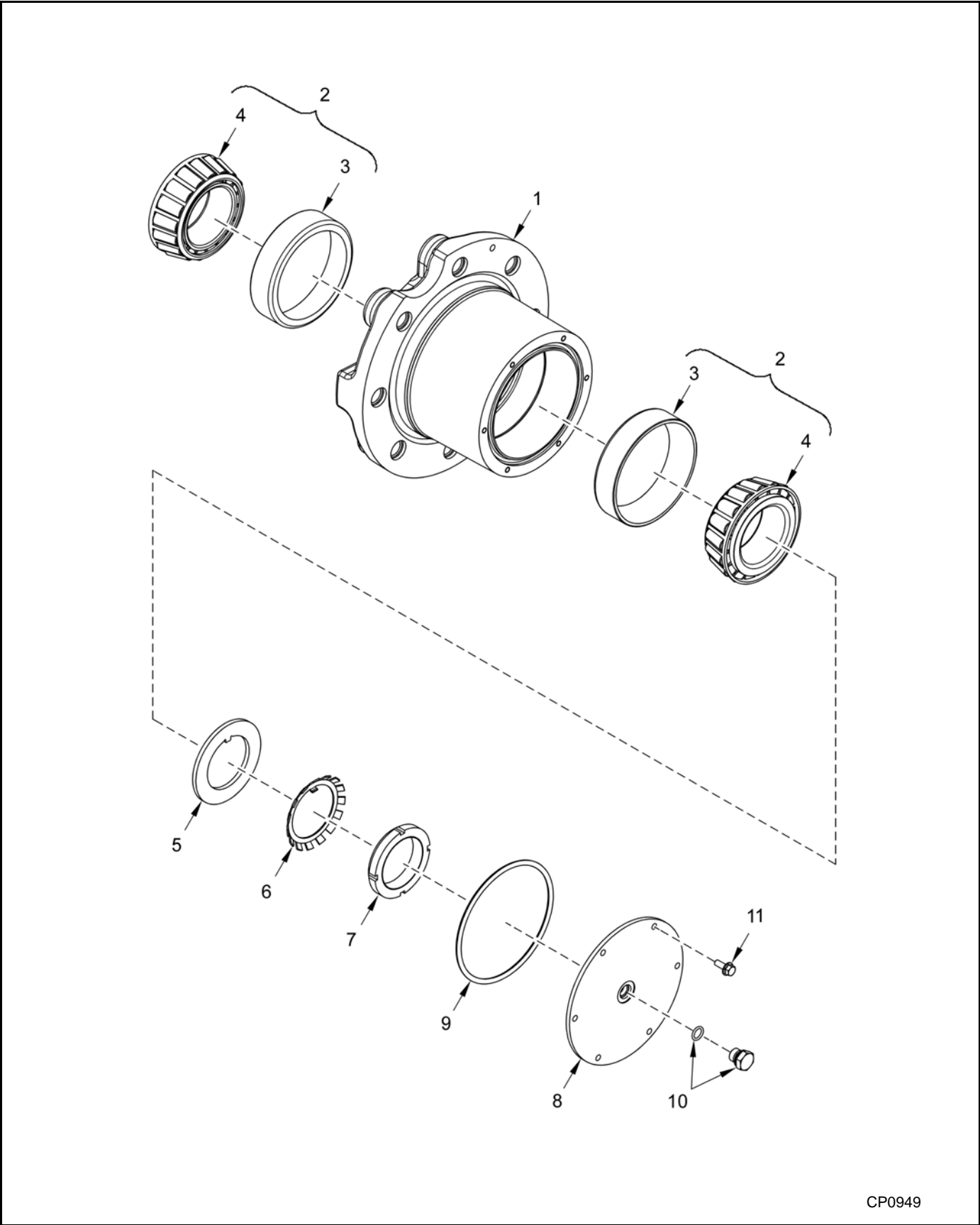
(2A-2530 & 2A-2540)

Ref.	FN	Part Number	TTS Series	Qty.	Description
		2A-2530-101SP		1	BOGIE ASSY., Mid-roller, Includes items 1 - 11, 15, 16 & 18, 19
	2	2A-2529-101		2	HUB and AXLE ASSY., Mid-roller, Includes items 2, 11, 16 & 17
1		2A-0919-101		1	DOGHOUSE ASSY., Mid-roller, Includes items 18 - 20
2		2A-0921-101		2	AXLE, Mid-roller
3		2J-0090		2	SEAL, Mechanical Face, 88 mm Sq.
4		2C-1335		2	PLATE, End
5		2C-1334		4	RING, Thrust, 70.3 mm ID
6		2J-0141		2	O-RING
7		2F-0001		6	BOLT, Hex Flg., M12 x 30 CI 10.9
8		2C-1327		2	COVER, End
9		222082066		16	BOLT, Hex, M8 x 20 CI 10.9
10		108609500		2	PLUG, End Cover
11		2C-4798-101SP		4	HUB, Mid-roller, See page 1-18
12		2S-0351-000		1	PIN, Mounting
13		2C-2024-100		1	SPACER, Flg., M20
14		2F-0323		1	BOLT, Hex, M20 x 50 CI 10.9
15		2H-0060		1	FITTING, Grease, 1/8"-27 PTF Short
16	1	2J-0213		4	SEAL, Mechanical Face
17		2B-0119		2	BUSHING, PT, 70 x 75 x 80 mm Long
18		NSS		2	SCREW, Hex Socket, M12 x 30
19		NSS		2	PIN, Connection
20		NSS		1	DOGHOUSE, Mid-roller

1 - For Special Tooling use p/n 2P-0020-100 Seal Installation Tool available from Camso.

2 - Includes 1/2 qty. of items 2, 11, 16 & 17.

Hub - Idler



CP0949

TRAILED TRACK SYSTEM 70 SERIES
(236" TRACK) (INCLUDES 70-2516, 70-2517, 70-3011, 70-3012, 70-3611, 70-3612)

Hub - Idler

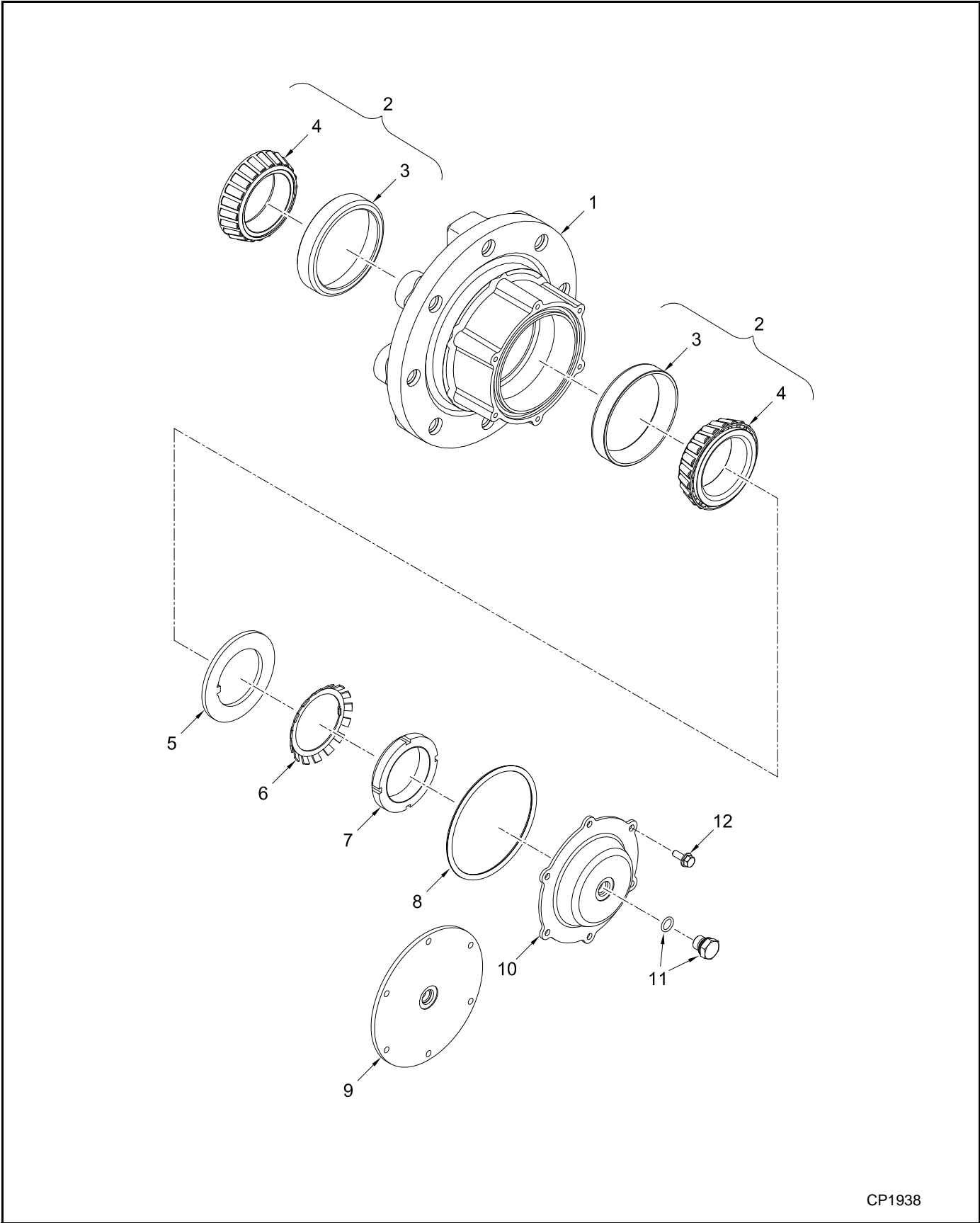
(2A-0922 & 2A-0924)

Ref.	FN	Part Number	TTS Series	Qty.	Description
1		2C-2013-101		1	HUB, Idler
2		2A-1067-100		2	BEARING SERVICE SET, Idler, Includes items 3 & 4
3		NSS		1	BEARING, Roller, Cup (2B-0032)
4		NSS		1	BEARING, Roller Cone (2B-0120)
5		674012700		1	WASHER, Tongue
6	2	105023916		1	WASHER, Lock
7	1	105023915		1	NUT, Lock
8		2C-0196-101		1	COVER, Idler Hub
9		2J-0023		1	O-RING
10		108609500		1	PLUG ASSY., Includes O-Ring
11		761301665		6	BOLT, Hex Flg., M6 x 16 Cl 10.9

1 - For Special Tooling use p/n 2P-0021-100 Bearing Locknut Socket available from Camso.

2 - For Special Tooling use p/n 2P-0180-100 Lock Washer Tab Bender available from Camso.

Hub - Mid-roller



CP1938

TRAILED TRACK SYSTEM 70 SERIES
(236" TRACK) (INCLUDES 70-2516, 70-2517, 70-3011, 70-3012, 70-3611, 70-3612)

Hub - Mid-roller

(2A-2529)

Ref.	FN	Part Number	TTS Series	Qty.	Description
1	3	2C-4798-101SP		1	HUB, Mid-roller
2		2A-1066-100SP		2	BEARING SERVICE SET, Mid-roller, Includes items 3 & 4
3		NSS		1	BEARING, Roller, Cup (2B-0157)
4		NSS		1	BEARING, Roller Cone (2B-0161)
5		674012700		1	WASHER, Tongue
6	2	105023916		1	WASHER, Lock
7	1	105023915		1	NUT, Lock
8		106023515		1	O-RING
9	4	2C-2679-101SP		1	COVER, Idler Hub, Flat
10	5	2C-4229-101SP		1	COVER, Idler Hub, Formed
11		108609500		1	PLUG, Hex, M14
12		761301665		6	BOLT, Hex Flg., M6 x 16, CI 10.9

1 - For Special Tooling use p/n 2P-0021-100 Bearing Locknut Socket available from Camso.

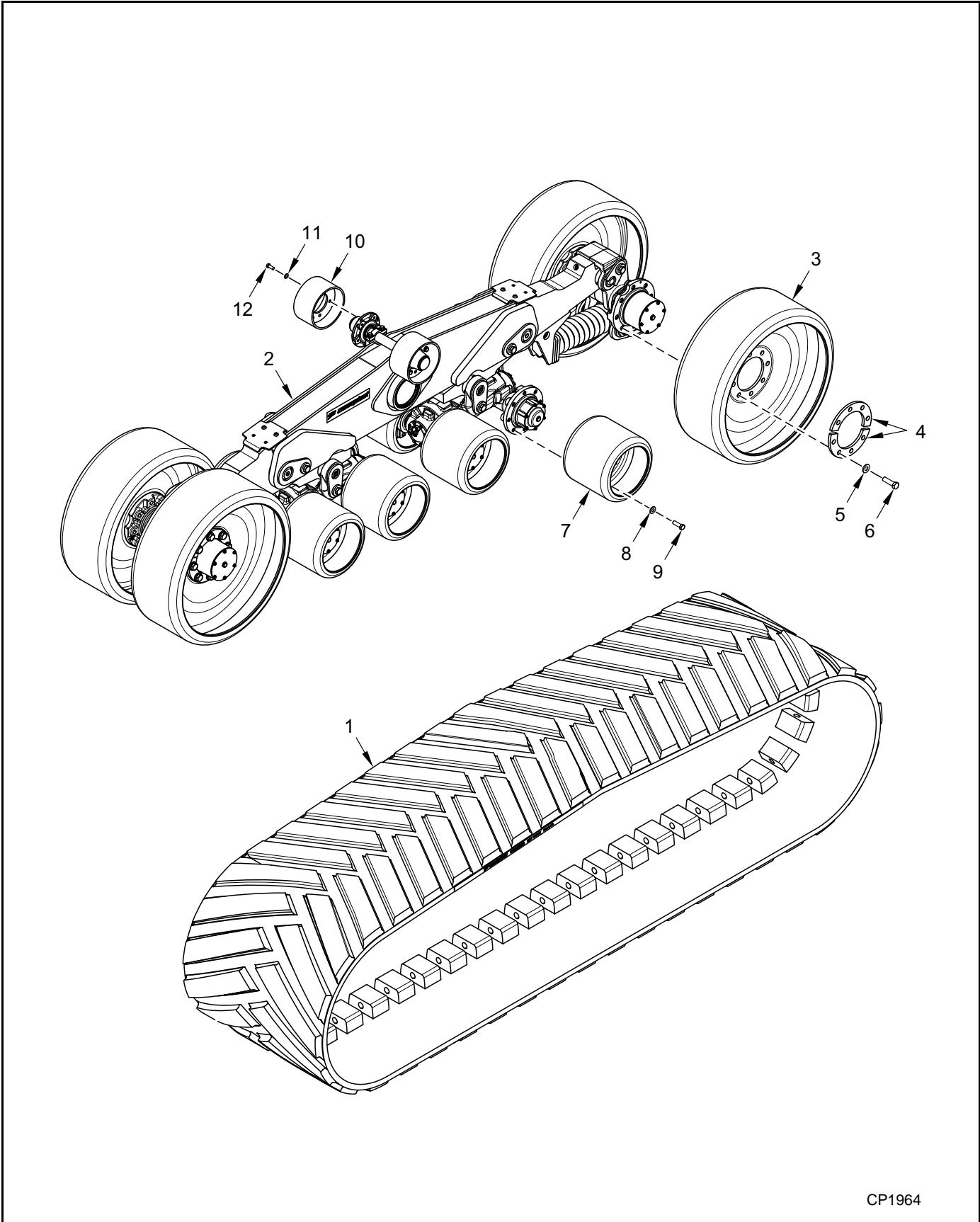
2 - For Special Tooling use p/n 2P-0180-100 Lock Washer Tab Bender available from Camso.

3 - P/n 2C-1320 Mid-roller Hub is replaced with 2C-4798-101SP Shorter Mid-roller Hub. If you are replacing 2C-1320 Hub with a 2C-4798-101SP Hub, Mid-roller Wide. You must also order Formed Hub Cover 2C-4229-101SP.

4 - P/n 2C-2679-101SP Flat Hub Cover only fits 2C-1320 Hubs.

5 - P/n 2C-4229-101SP Formed Hub Cover only fits on 2C-4798-101SP Mid-roller Hubs.

Track & Undercarriage



CP1964

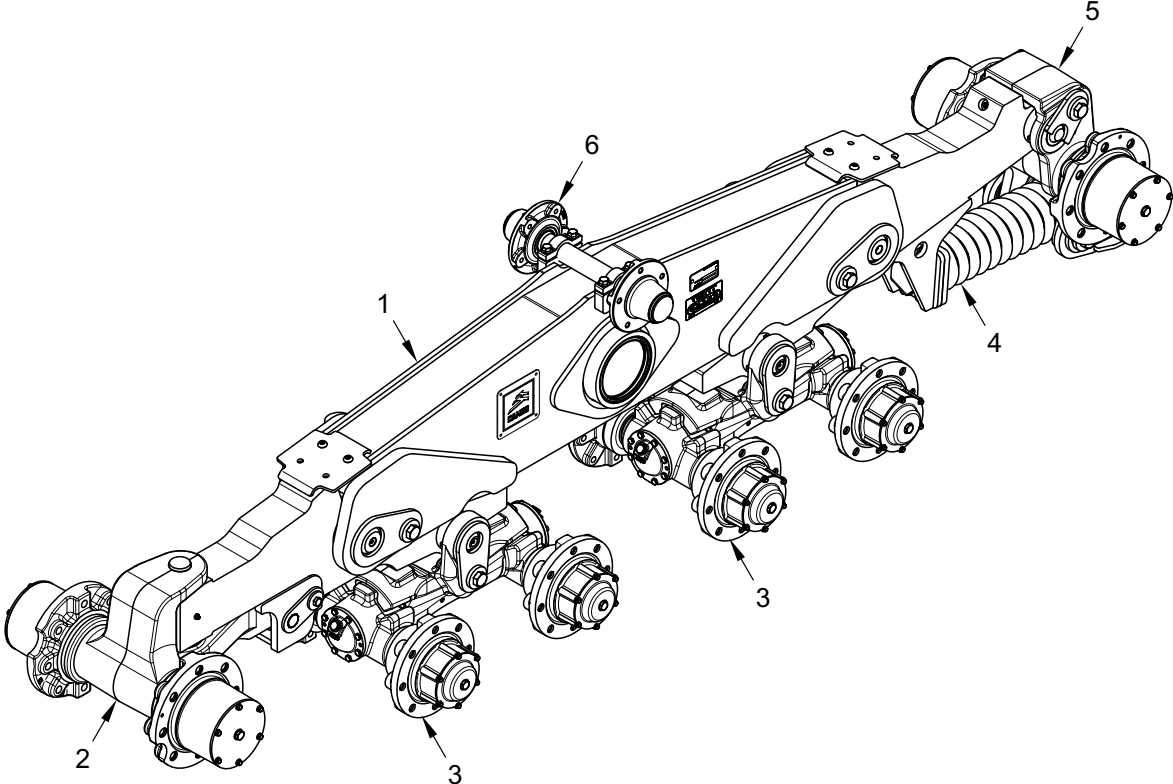
TRAILED TRACK SYSTEM 80 & 100 SERIES
(302" TRACK) (INCLUDES 80-3013, 80-3014, 100-3014, 100-3613, 100-3614)

Track & Undercarriage

(2A-2534 & 2A-2537)

Ref.	FN	Part Number	TTS Series	Qty.	Description
1		G30BP03584	80-3013	1	TRACK, Rubber, 302" x 30"
			80-3014	1	TRACK, Rubber, 302" x 30"
			100-3014	1	TRACK, Rubber, 302" x 30"
		G36BP03586	100-3613	1	TRACK, Rubber, 302" x 36"
			100-3614	1	TRACK, Rubber, 302" x 36"
2		REF		1	UNDERCARRIAGE ASSY., See page 2-4
3		5W-0281-101SP	80-3013	4	WHEEL, Idler, TTS Gray, (30" Track)
			80-3014	4	WHEEL, Idler, TTS Gray, (30" Track)
			100-3014	4	WHEEL, Idler, TTS Gray, (30" Track)
		5W-0287-101SP	100-3613	4	WHEEL, Idler, TTS Gray, (36" Track)
		5W-0287-102SP	100-3614	4	WHEEL, Idler, ROPA Yellow, (36" Track)
		5W-0287-103SP		4	WHEEL, Idler, Semi-gloss Black, (36" Track)
4		2C-2030-100		8	RING, Back-up
5		224091351		4	WASHER
6		2F-0158		32	BOLT, Hex, M20 x 70 CI 10.9
7		4W-0327-101SP	80-3013	8	WHEEL, Mid-roller, TTS Gray, (30" Track)
			80-3014	8	WHEEL, Mid-roller, TTS Gray, (30" Track)
			100-3014	8	WHEEL, Mid-roller, TTS Gray, (30" Track)
		4W-0321-101SP	100-3613	8	WHEEL, Mid-roller, TTS Gray, (36" Track)
		4W-0321-102SP	100-3614	8	WHEEL, Mid-roller, ROPA Yellow, (36" Track)
		4W-0321-103SP		8	WHEEL, Mid-roller, Semi-gloss Black, (36" Track)
8		2F-0065		64	WASHER, Flat, M16
9		2F-0087		64	BOLT, Hex, M16 x 50 CI 10.9
10		2S-0375-001SP		2	ROLLER, Carrier
11		2F-0265		10	WASHER, M12
12		2F-0005		10	BOLT, Hex, M12 x 30 CI 10.9

Undercarriage Assembly



CP1966

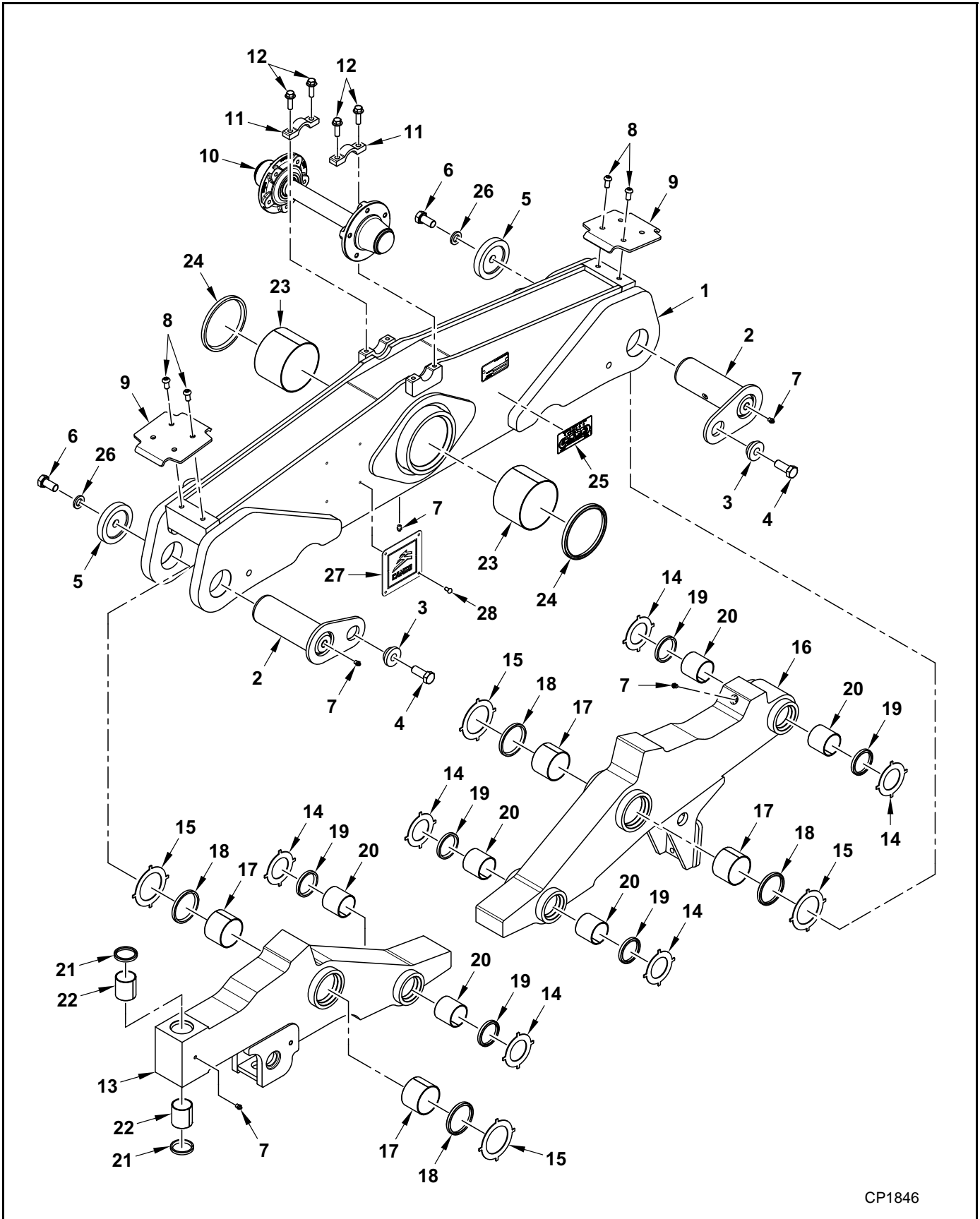
TRAILED TRACK SYSTEM 80 & 100 SERIES
(302" TRACK) (INCLUDES 80-3013, 80-3014, 100-3014, 100-3613, 100-3614)

Undercarriage Assembly

(2A-2533)

Ref.	FN	Part Number	TTS Series	Qty.	Description
1		REF		1	FRAME ASSY., See page 2-6
2		REF		1	ALIGNMENT ASSY., See page 2-12
3		REF		2	BOGIE ASSY., Mid-roller, See page 2-14
4		REF		1	TENSIONER ASSY., See page 2-10
5		REF		1	TENSION LINK ASSY., See page 2-8
6		REF		1	CARRIER ASSY., See page 2-16

Frame Assembly



CP1846

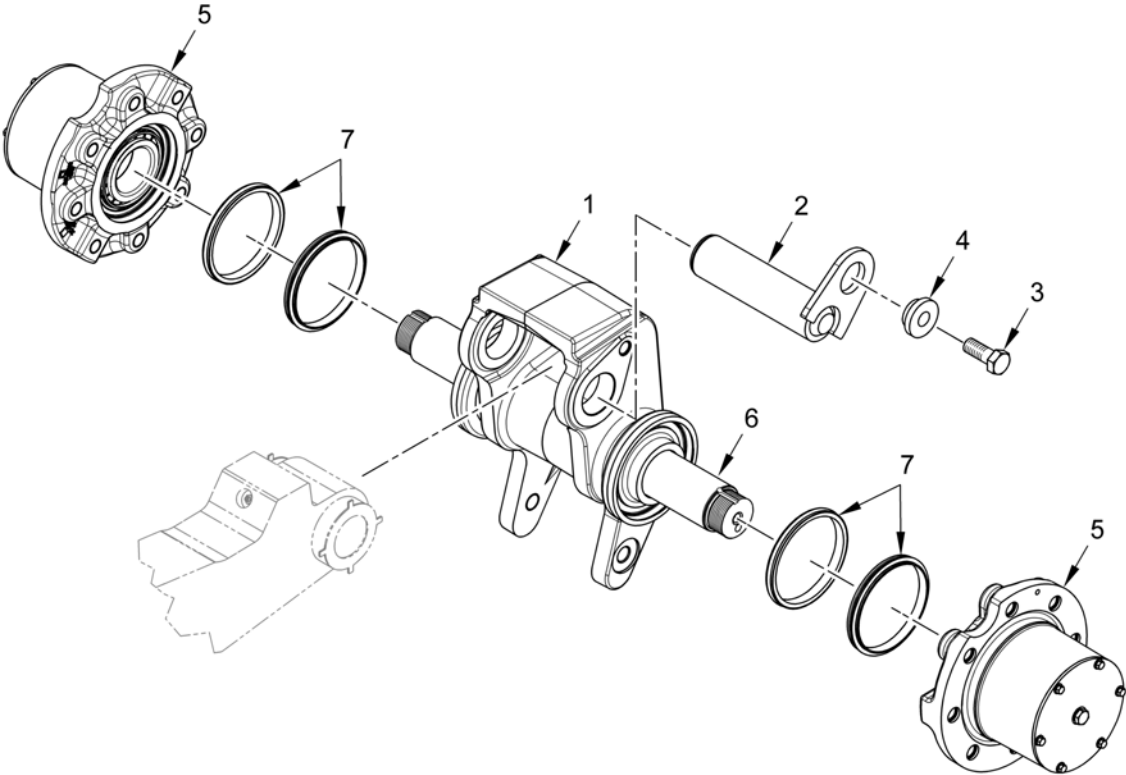
TRAILED TRACK SYSTEM 80 & 100 SERIES
(302" TRACK) (INCLUDES 80-3013, 80-3014, 100-3014, 100-3613, 100-3614)

Frame Assembly

(2A-2533)

Ref.	FN	Part Number	TTS Series	Qty.	Description
1		2A-2533-100	80-3013	1	FRAME, Main, Includes items 7, 23 & 24
			100-3014	1	FRAME, Main, Includes items 7, 23 & 24
			100-3613	1	FRAME, Main, Includes items 7, 23 & 24
			100-3614	1	FRAME, Main, Includes items 7, 23 & 24
2		2S-0350-000		2	PIN, Mounting
3		2C-2024-100		2	SPACER, Flanged, M20
4		2F-0323		2	BOLT, Hex, M20 x 40 CI 10.9
5		2C-2025-100		2	CAP, End
6		2F-0143		2	BOLT, Hex, M20 x 40 CI 10.9
7		2H-0060		5	FITTING, Grease, 1/8"-27 PTF Short
8		2F-0307		4	BOLT, Socket Hd, M12 x 25 CI 10.9
9		2C-2157-101SP		2	DEFLECTOR
10		2A-0931-101SP		1	CARRIER, Roller, See page 2-16
11		2C-2138-100		2	RETAINER, Axle Block
12		2F-0269		4	BOLT, Hex Flg., M12 x 40 CI 10.9
13		2A-0954-100SP		1	ARM, Alignment, Includes 7, 17 - 22
14		2C-4163-100		6	WASHER, Thrust, 60 mm
15		2C-2033-100		4	WASHER, Thrust, 80 mm
16		2A-0952-100SP		1	ARM, Tandem, Includes items 7, 17 - 20
17		2B-0116		4	BUSHING, M80 x 85 x 60 Long
18		2J-0118		4	SEAL, Scraper, 80 x 94 x 8 mm Thick
19		2J-0117		6	SEAL, Scraper, 60 x 74 x 8 mm Thick
20		2B-0117		6	BUSHING, 60 x 65 x 60 mm Long
21		2J-0116		2	SEAL, Scraper, 50 x 62 x 7 mm Thick
22		2B-0118		2	BUSHING, 50 x 55 x 60 mm Long
23		2B-0115		2	BUSHING, 140 x 145 x 100 mm Long
24		2J-0119		2	SEAL, Scraper, 140 x 160 x 10 mm Thick
25		2M-0161-100		1	DECAL, TTS Greasing
26		224090131		2	WASHER, Flat, ISO 7091 300HV, zn
27		2M-0179-100		1	PLATE, Branding, Camso
28		2F-0096		1	SCREW, Drive, SCR Type-U, SS

Tension Link Assembly



CP0947

TRAILED TRACK SYSTEM 80 & 100 SERIES
(302" TRACK) (INCLUDES 80-3013, 80-3014, 100-3014, 100-3613, 100-3614)

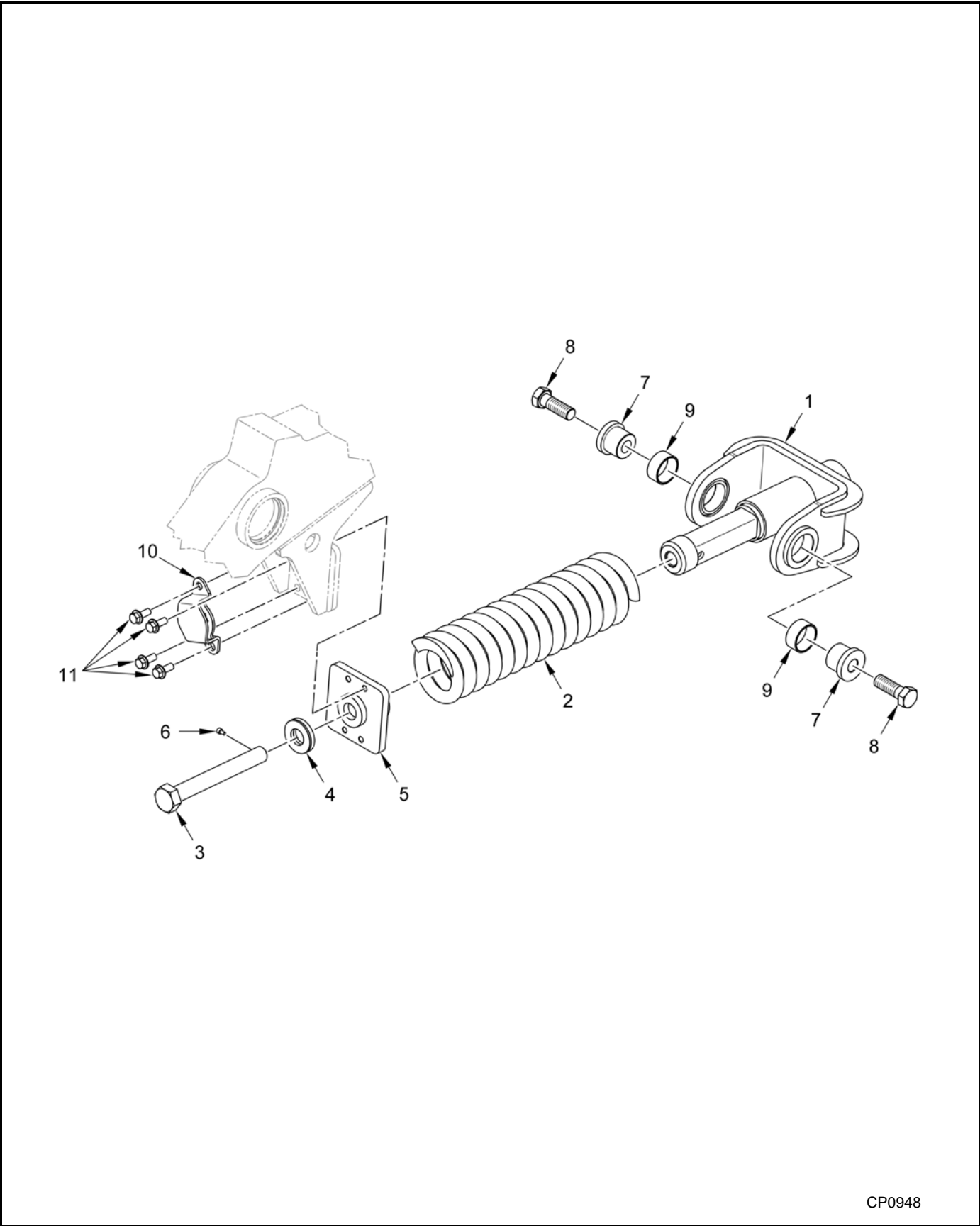
Tension Link Assembly

(2A-0924 & 2A-2533)

Ref.	FN	Part Number	TTS Series	Qty.	Description
		2A-0924-101SP		1	LINK ASSY., Tension, Includes items 1, 5, 6 & 7
1		2A-0925-101		1	LINK, Tension
2		2S-0424-000		1	PIN, Tensioner
3		2F-0323		1	BOLT, Hex, M20 x 50 CI 10.9
4		2C-2024-100		1	SPACER, Flg., M20
5		NSS		1	HUB, Idler, See page 2-18
6		NSS		1	AXLE, Idler
7	1	2J-0026		2	SEAL, Mechanical Face, 127 mm ID

1 - For Special Tooling use p/n 2P-0019-100 Seal Installation Tool available from Camso.

Tensioner Assembly



CP0948

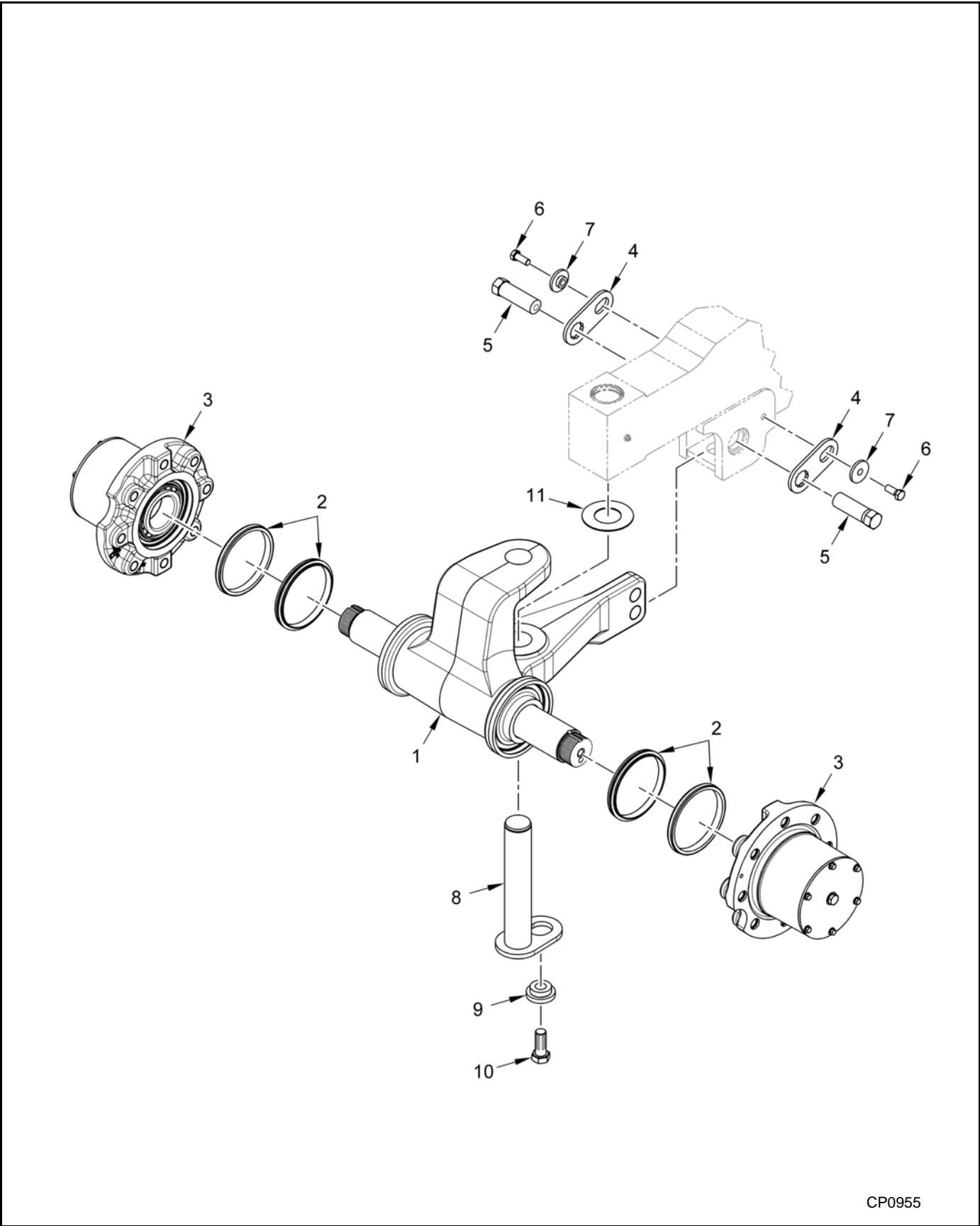
TRAILED TRACK SYSTEM 80 & 100 SERIES
(302" TRACK) (INCLUDES 80-3013, 80-3014, 100-3014, 100-3613, 100-3614)

Tensioner Assembly

(2A-1001 & 2A-2533)

Ref.	FN	Part Number	TTS Series	Qty.	Description
		2A-1001-100SP		1	TENSIONER ASSY., Track, Includes items 1 - 6, 9
1		2A-0994-100SP		1	SEAT, Spring, Includes items 9
2		2M-0145-001SP		1	SPRING
3		2C-2255-100		1	SCREW, Compression, M30 x 3.5 x 240
4		2F-0322		1	WASHER, Flat, 1.25"
5		2S-0429-101SP		1	SUPPORT, Head
6		2F-0324		1	SCREW, Set, Hex Socket, M6 x 10 CI 12.9
7		2C-2262-100		2	SPACER
8		2F-0181		2	BOLT, Hex, M24 x 70 CI 10.9
9		2B-0133		2	BUSHING, Oil-Tite
10		2S-0432-001SP		1	CAP, Locking
11		2F-0001		4	BOLT, Hex Flg., M12 x 30 CI 10.9

Alignment Assembly



CP0955

TRAILED TRACK SYSTEM 80 & 100 SERIES
(302" TRACK) (INCLUDES 80-3013, 80-3014, 100-3014, 100-3613, 100-3614)

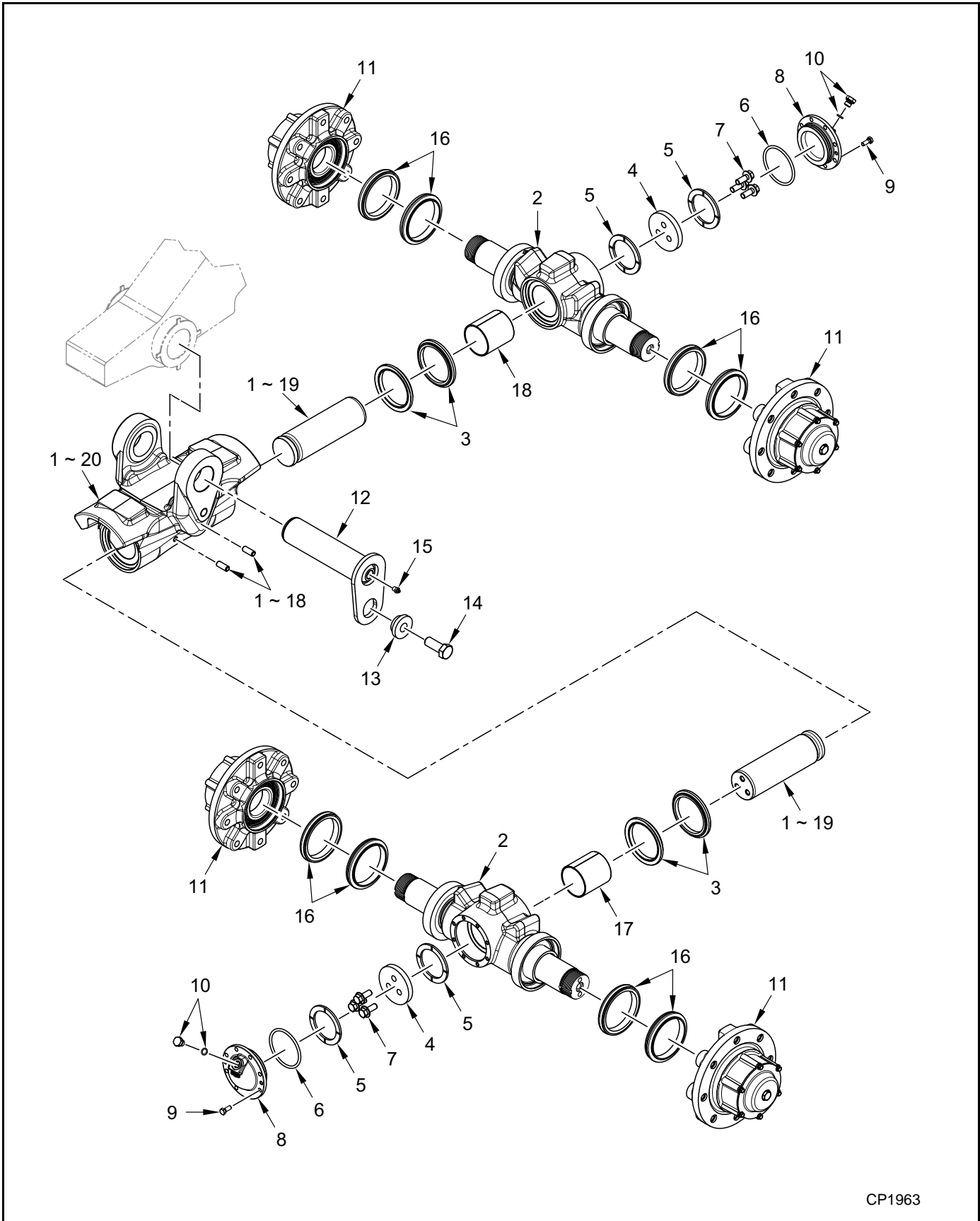
Alignment Assembly

(2A-0922 & 2A-2533)

Ref.	FN	Part Number	TTS Series	Qty.	Description
		2A-0922-101SP		1	ALIGNMENT ASSY., Lever, Includes items 1 & 3
1		2A-0923-101		1	LEVER, Alignment
2	1	2J-0026		2	SEAL, Mechanical Face, 127 mm ID
3		NSS		2	HUB, Idler, See page 2-18
4		2C-0387		2	PLATE, Lock
5		2F-0531		2	SCREW, Set, Special, 1-1/8" x 85 mm
6		2F-0005		2	BOLT, Hex, M12 x 30 CI 10.9
7		2C-0008		2	SPACER, Flanged
8		2S-0352-000		1	PIN, Mounting
9		2C-2024-100		1	SPACER, Flg., M20
10		2F-0323		1	BOLT, Hex, M20 x 50 CI 10.9
11		2C-2023-100		1	WASHER, Thrust, 50 mm

1 - For Special Tooling use p/n 2P-0019-100 Seal Installation Tool available from Camso.

Bogie Assembly - Mid-roller



CP1963

TRAILED TRACK SYSTEM 80 & 100 SERIES
(302" TRACK) (INCLUDES 80-3013, 80-3014, 100-3014, 100-3613, 100-3614)

Bogie Assembly - Mid-roller

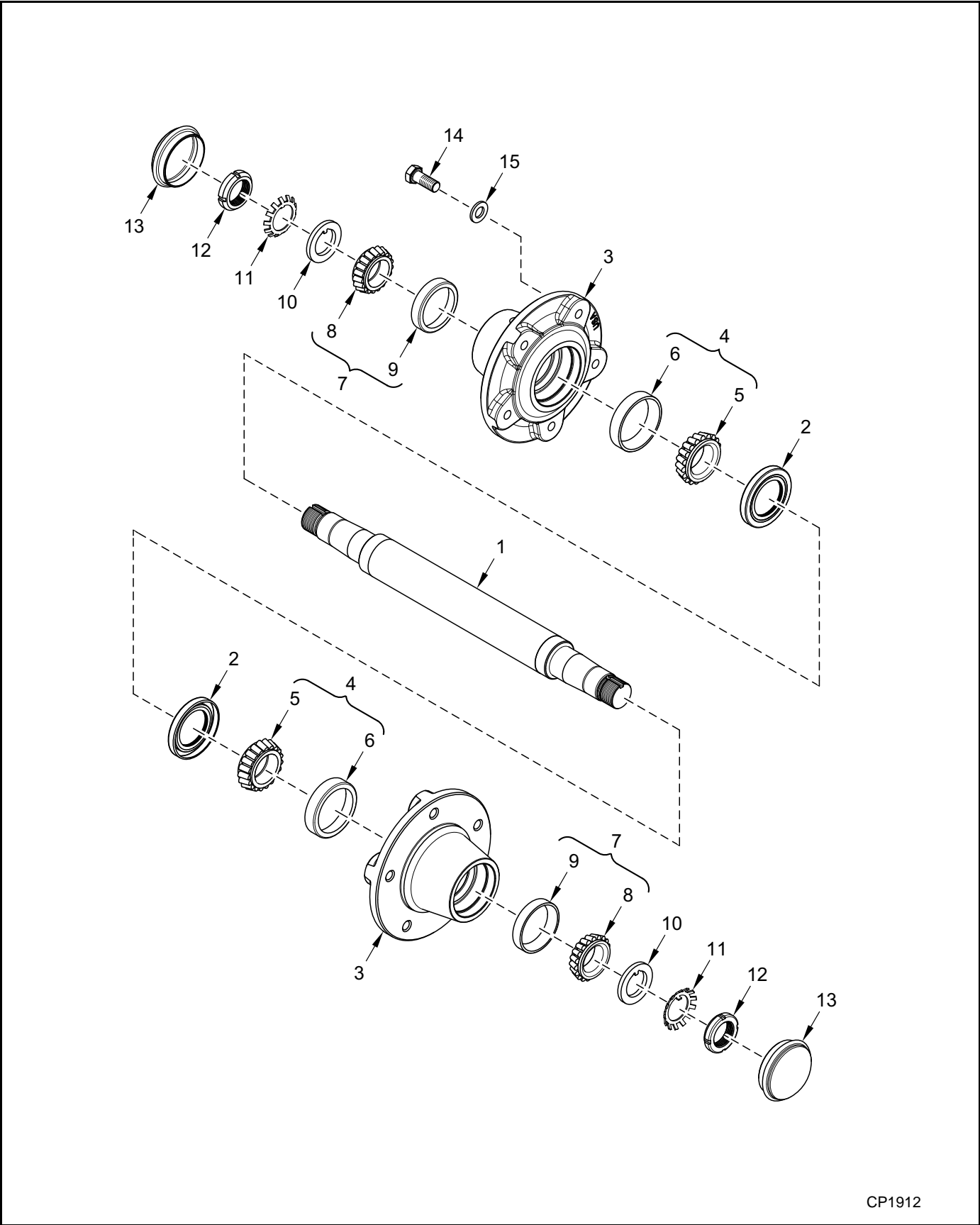
(2A-2530 & 2A-2533)

Ref.	FN	Part Number	TTS Series	Qty.	Description
		2A-2530-101SP		1	BOGIE ASSY., Mid-roller, Includes items 1 - 11, 15, 16 & 18, 19
	2	2A-2529-101		2	HUB and AXLE ASSY., Mid-roller, Includes items 2, 11, 16 & 17
1		2A-0919-101		1	DOGHOUSE ASSY., Mid-roller, Includes items 18 - 20
2		2A-0921-101		2	AXLE, Mid-roller
3		2J-0090		2	SEAL, Mechanical Face, 88 mm Sq.
4		2C-1335		2	PLATE, End
5		2C-1334		4	RING, Thrust, 70.3 mm ID
6		2J-0141		2	O-RING
7		2F-0001		6	BOLT, Hex Flg., M12 x 30 CI 10.9
8		2C-1327		2	COVER, End
9		222082066		16	BOLT, Hex, M8 x 20 CI 10.9
10		108609500		2	PLUG, End Cover
11		2C-4798-101SP		4	HUB, Mid-roller, See page 2-20
12		2S-0351-000		1	PIN, Mounting
13		2C-2024-100		1	SPACER, Flg., M20
14		2F-0323		1	BOLT, Hex, M20 x 50 CI 10.9
15		2H-0060		1	FITTING, Grease, 1/8"-27 PTF Short
16	1	2J-0213		4	SEAL, Mechanical Face
17		2B-0119		2	BUSHING, PT, 70 x 75 x 80 mm Long
18		NSS		2	SCREW, Hex Socket, M12 x 30
19		NSS		2	PIN, Connection
20		NSS		1	DOGHOUSE, Mid-roller

1 - For Special Tooling use p/n 2P-0020-100 Seal Installation Tool available from Camso.

2 - Includes 1/2 qty. of items 2, 11, 16, & 17.

Carrier Assembly



CP1912

TRAILED TRACK SYSTEM 80 & 100 SERIES
(302" TRACK) (INCLUDES 80-3013, 80-3014, 100-3014, 100-3613, 100-3614)

Carrier Assembly

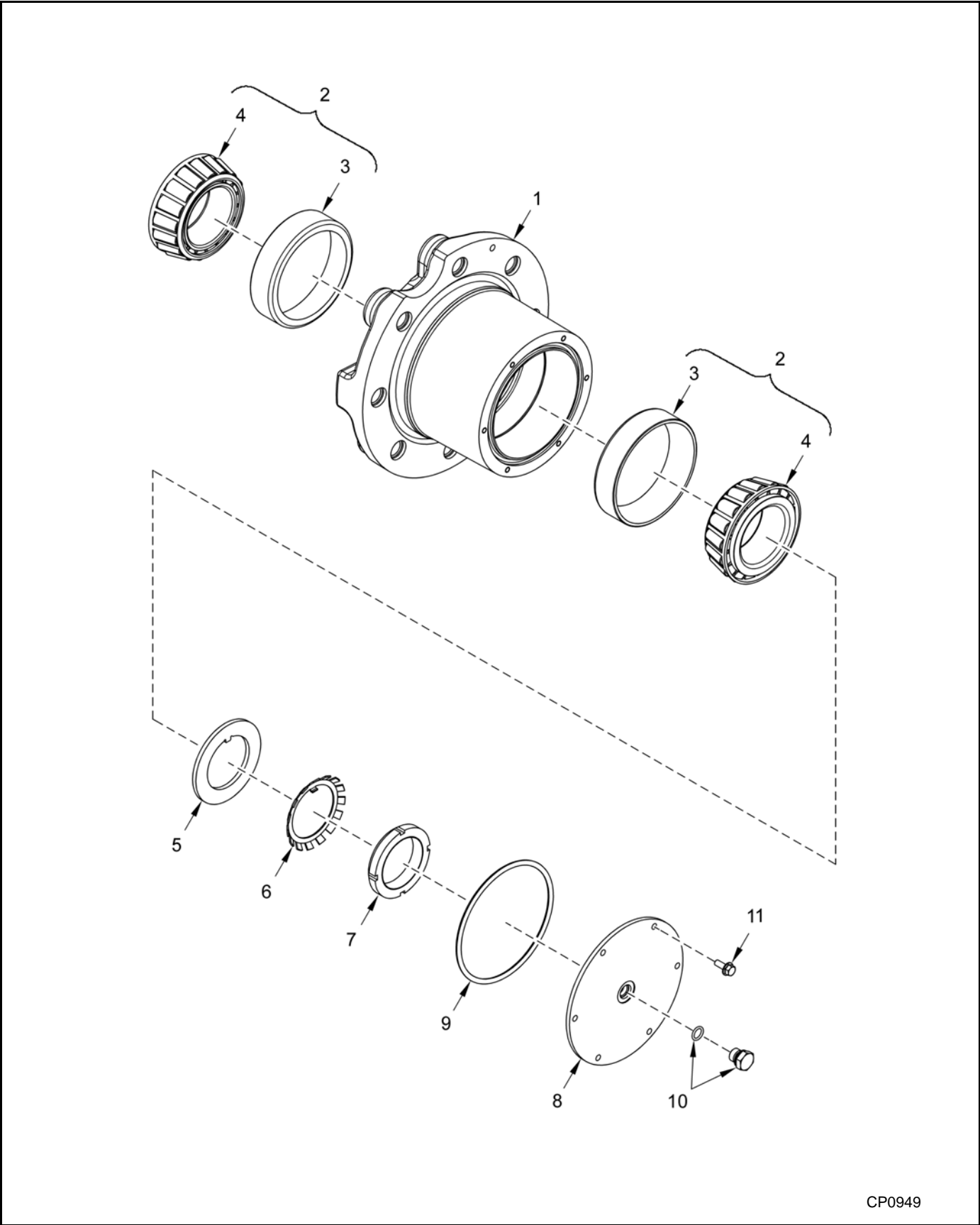
(2A-0931)

Ref.	FN	Part Number	TTS Series	Qty.	Description
		2A-0931-101SP		1	CARRIER ASSY., Roller, Includes items 1 - 13
1		2C-2046-101		1	AXLE, Carrier Roller
2		2J-0120		2	SEAL, Grease
3		2A-0932-101		2	HUB, Roller Carrier, Includes 6 & 9
4		2A-1064-100		2	BEARING SERVICE SET., Inner, Includes items 5 & 6
5		NSS		2	BEARING, Roller, Cone
6		NSS		2	BEARING, Roller, Cup
7		2A-1065-100		2	BEARING SERVICE SET., Outer, Includes items 8 & 9
8		NSS		2	BEARING, Roller, Cone
9		NSS		2	BEARING, Roller, Cup
10		2C-2080-100		2	WASHER, Tongue, #06
11	2	2F-0247		2	WASHER, Lock
12	1	2F-0246		2	NUT, Lock
13		2M-0024		2	CAP, Hub

1 - For Special Tooling use p/n 2P-0022-100 Bearing Locknut Tool available from Camso.

2 - For Special Tooling use p/n 2P-0180-100 Lock Washer Tab Bender available from Camso.

Hub - Idler



CP0949

TRAILED TRACK SYSTEM 80 & 100 SERIES
(302" TRACK) (INCLUDES 80-3013, 80-3014, 100-3014,100-3613, 100-3614)

Hub - Idler

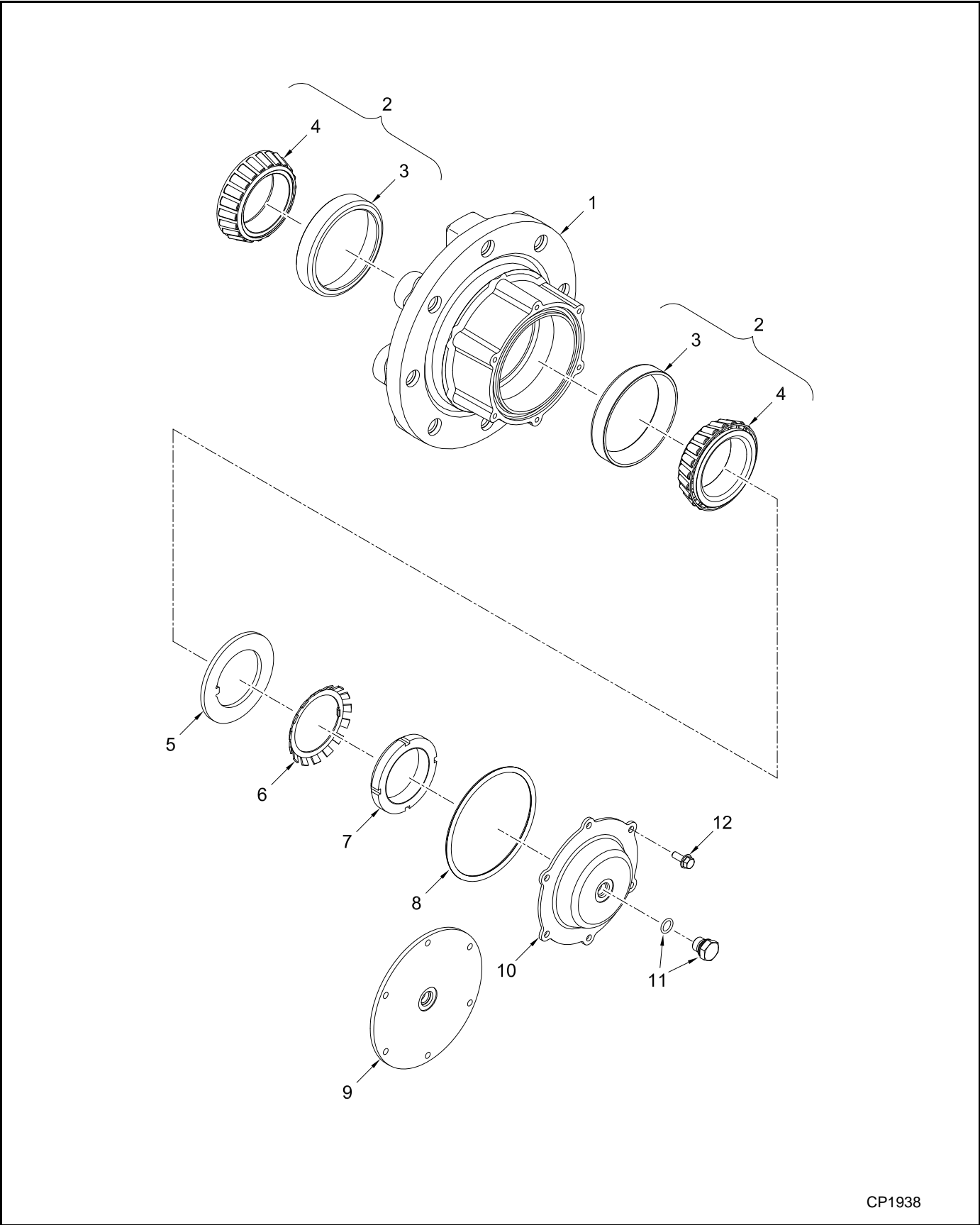
(2A-0922 & 2A-0924)

Ref.	FN	Part Number	TTS Series	Qty.	Description
1		2C-2013-101		1	HUB, Idler
2		2A-1067-100		2	BEARING SERVICE SET, Idler, Includes items 3 & 4
3		NSS		1	BEARING, Roller, Cup (2B-0032)
4		NSS		1	BEARING, Roller Cone (2B-0120)
5		674012700		1	WASHER, Tongue
6	2	105023916		1	WASHER, Lock
7	1	105023915		1	NUT, Lock
8		2C-0196-101		1	COVER, Idler Hub
9		2J-0023		1	O-RING
10		108609500		1	PLUG ASSY., Includes O-Ring
11		761301665		6	BOLT, Hex Flg., M6 x 16 Cl 10.9

1 - For Special Tooling use p/n 2P-0021-100 Bearing Locknut Socket available from Camso.

2 - For Special Tooling use p/n 2P-0180-100 Lock Washer Tab Bender available from Camso.

Hub - Mid-roller



CP1938

TRAILED TRACK SYSTEM 80 & 100 SERIES
(302" TRACK) (INCLUDES 80-3013, 80-3014, 100-3014, 100-3613, 100-3614)

Hub - Mid-roller

(2A-2529)

Ref.	FN	Part Number	TTS Series	Qty.	Description
1	3	2C-4798-101SP		1	HUB, Mid-roller
2		2A-1066-100SP		2	BEARING SERVICE SET, Mid-roller, Includes items 3 & 4
3		NSS		1	BEARING, Roller, Cup (2B-0157)
4		NSS		1	BEARING, Roller Cone (2B-0161)
5		674012700		1	WASHER, Tongue
6	2	105023916		1	WASHER, Lock
7	1	105023915		1	NUT, Lock
8		106023515		1	O-RING
9	4	2C-2679-101SP		1	COVER, Idler Hub, Flat
10	5	2C-4229-101SP		1	COVER, Idler Hub, Formed
11		108609500		1	PLUG, Hex, M14
12		761301665		6	BOLT, Hex Flg., M6 x 16, CI 10.9

1 - For Special Tooling use p/n 2P-0021-100 Bearing Locknut Socket available from Camso.

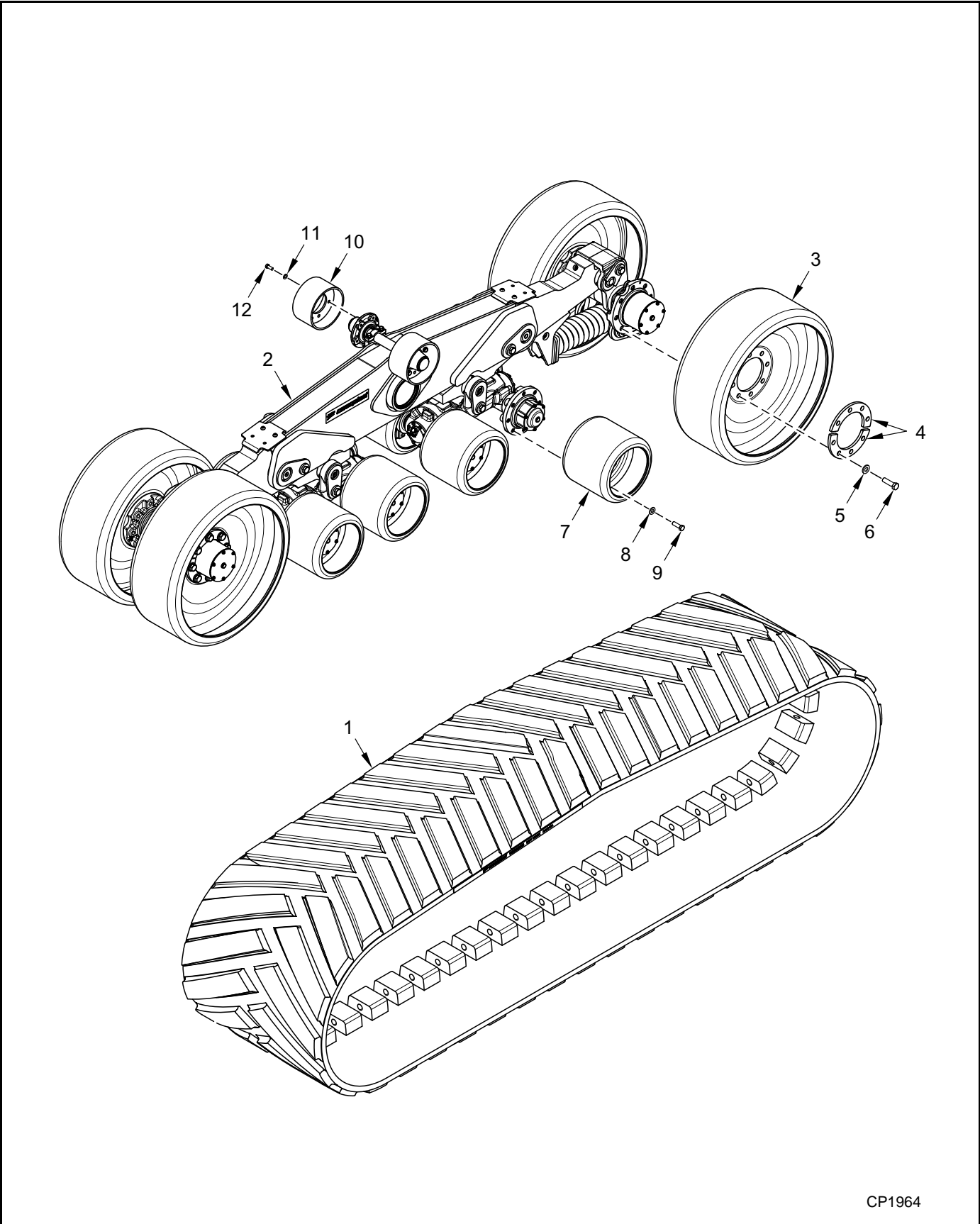
2 - For Special Tooling use p/n 2P-0180-100 Lock Washer Tab Bender available from Camso.

3 - P/n 2C-1320 Mid-roller Hub is replaced with 2C-4798-101SP Shorter Mid-roller Hub. If you are replacing 2C-1320 Hub with a 2C-4798-101SP Hub, Mid-roller Wide. You must also order Formed Hub Cover 2C-4229-101SP.

4 - P/n 2C-2679-101SP Flat Hub Cover only fits 2C-1320 Hubs.

5 - P/n 2C-4229-101SP Formed Hub Cover only fits on 2C-4798-101SP Mid-roller Hubs.

Track & Undercarriage



CP1964

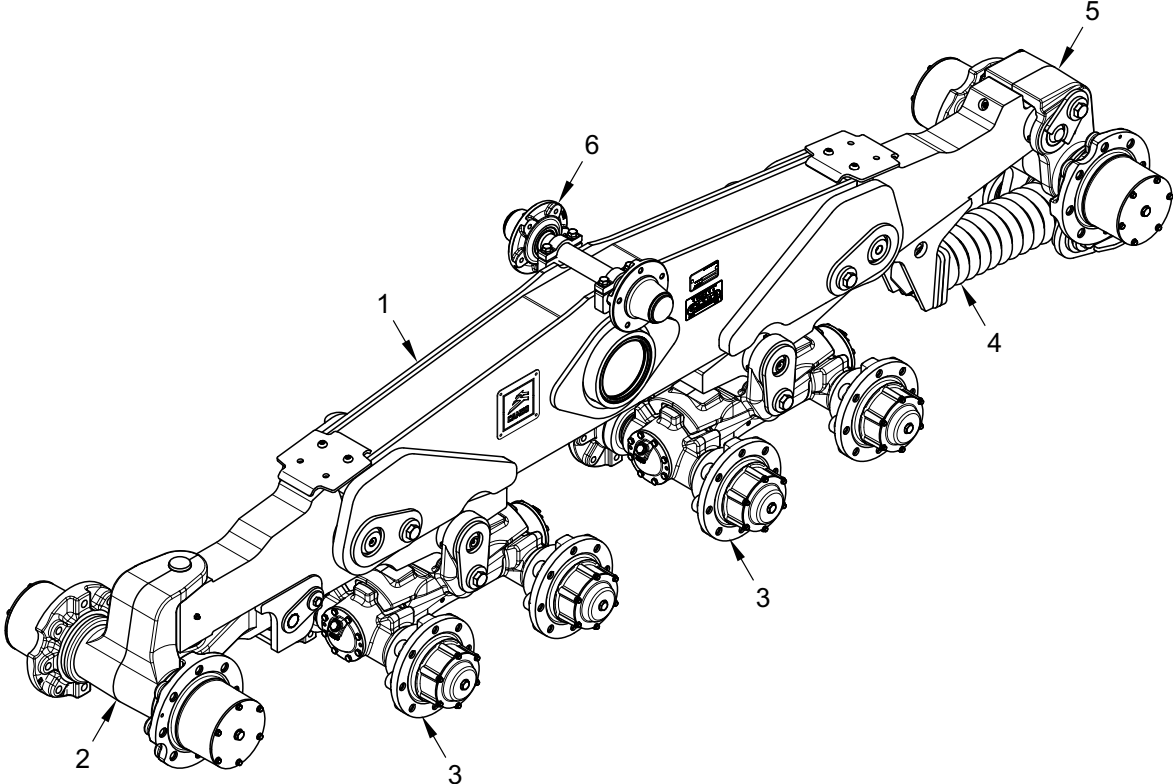
TRAILED TRACK SYSTEM 100 & 110 SERIES
(324" TRACK) (INCLUDES 100-3612, 110-3614, 110-3615)

Track & Undercarriage

(2A-2532)

Ref.	FN	Part Number	TTS Series	Qty.	Description
1		G36BR03585		1	TRACK, Rubber, 324" x 36"
2		REF		1	UNDERCARRIAGE ASSY., See page 3-4
3		5W-0287-101SP	100-3612	4	WHEEL, Idler, TTS Gray, (36" Track)
		5W-0287-102SP	110-3614	4	WHEEL, Idler, ROPA Yellow, (36" Track)
		5W-0287-103SP	110-3615	4	WHEEL, Idler, Semi-gloss Black, (36" Track)
4		2C-2030-100		8	RING, Back-up
5		224091351		32	WASHER
6		2F-0158		32	BOLT, Hex, M20 x 70 CI 10.9
7		4W-0321-101SP	100-3612	8	WHEEL, Mid-roller, TTS Gray, (36" Track)
		4W-0321-102SP	110-3614	8	WHEEL, Mid-roller, ROPA Yellow, (36" Track)
		4W-0321-103SP	110-3615	8	WHEEL, Mid-roller, Semi-gloss Black, (36" Track)
8		2F-0065		64	WASHER, Flat, M16
9		2F-0087		64	BOLT, Hex, M16 x 50 CI 10.9
10		2S-0375-001SP		2	ROLLER, Carrier
11		2F-0265		10	WASHER, M12
12		2F-0005		10	BOLT, Hex, M12 x 30 CI 10.9

Undercarriage Assembly



CP1966

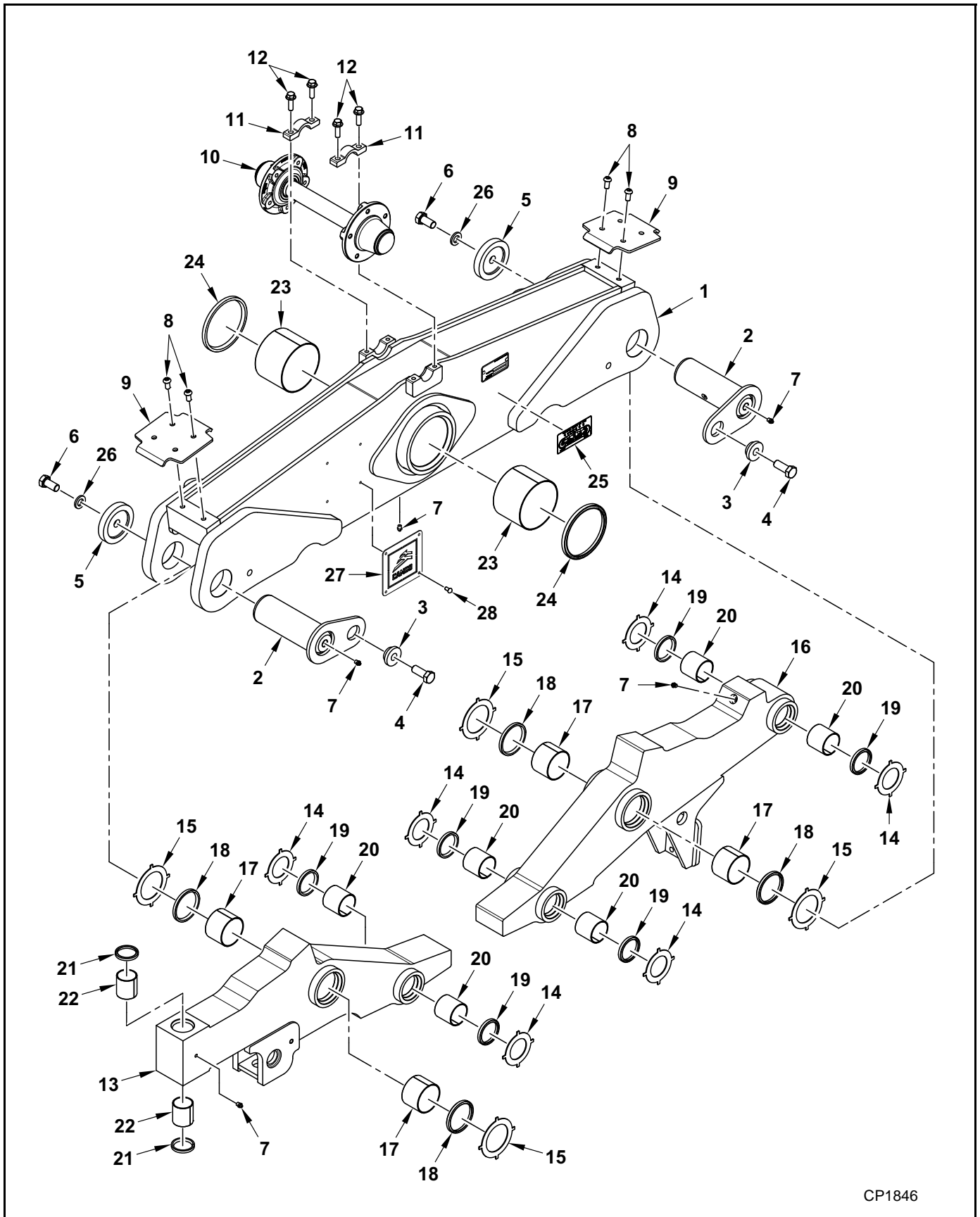
TRAILED TRACK SYSTEM 100 & 110 SERIES
(324" TRACK) (INCLUDES 100-3612, 110-3614, 110-3615)

Undercarriage Assembly

(2A-2531)

Ref.	FN	Part Number	TTS Series	Qty.	Description
1		REF		1	FRAME ASSY., See page 3-6
2		REF		1	ALIGNMENT ASSY., See page 3-12
3		REF		2	BOGIE ASSY., Mid-roller, See page 3-14
4		REF		1	TENSIONER ASSY., See page 3-10
5		REF		1	TENSION LINK ASSY., See page 3-8
6		REF		1	CARRIER ASSY., See page 3-16

Frame Assembly



CP1846

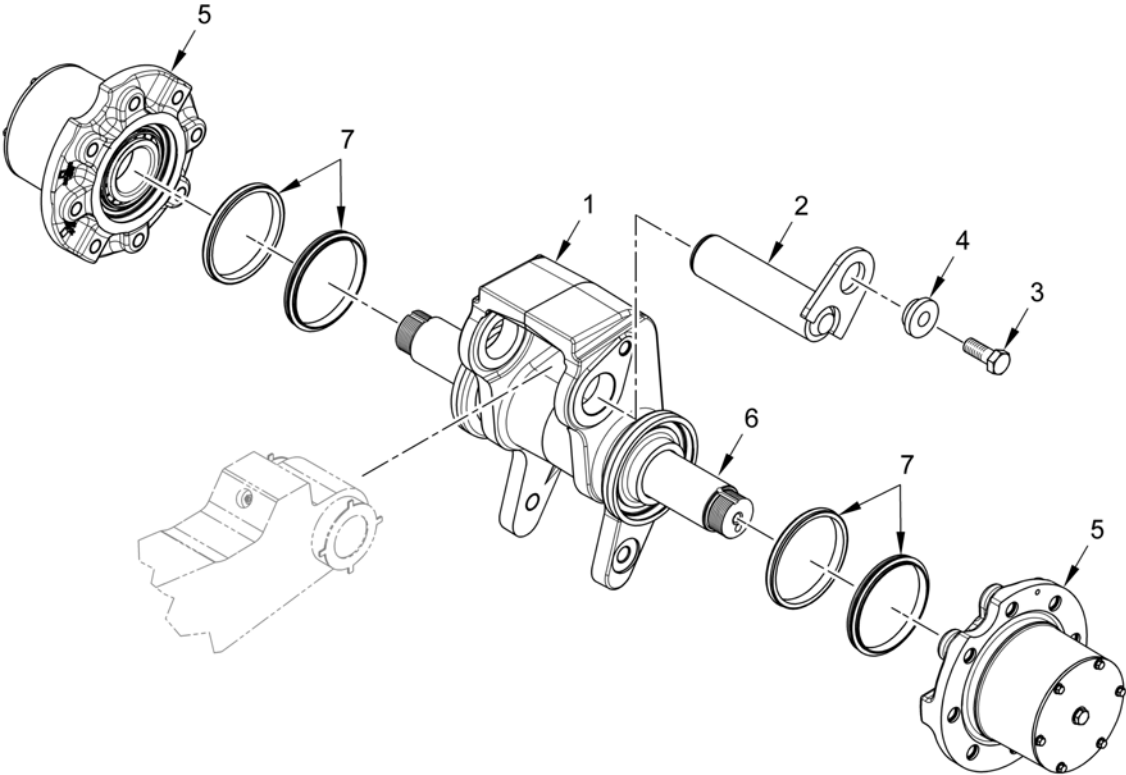
TRAILED TRACK SYSTEM 100 & 110 SERIES
(324" TRACK) (INCLUDES 100-3612, 110-3614, 110-3615)

Frame Assembly

(2A-2531)

Ref.	FN	Part Number	TTS Series	Qty.	Description
1		2A-0914-100SP		1	FRAME, Main, Includes items 7, 23 & 24
2		2S-0350-000		2	PIN, Mounting
3		2C-2024-100		2	SPACER, Flanged, M20
4		2F-0323		2	BOLT, Hex, M20 x 40 CI 10.9
5		2C-2025-100		2	CAP, End
6		2F-0143		2	BOLT, Hex, M20 x 40 CI 10.9
7		2H-0060		5	FITTING, Grease, 1/8"-27 PTF Short
8		2F-0307		4	BOLT, Socket Hd, M12 x 25 CI 10.9
9		2C-2157-101SP		2	DEFLECTOR
10		2A-0931-101SP		1	CARRIER, Roller, See page 3-16
11		2C-2138-100		2	RETAINER, Axle Block
12		2F-0269		4	BOLT, Hex Flg., M12 x 40 CI 10.9
13		2A-0915-100SP		1	ARM, Alignment, Includes 7, 17 - 22
14		2C-4163-100		6	WASHER, Thrust, 60 mm
15		2C-2033-100		4	WASHER, Thrust, 80 mm
16		2A-0916-100SP		1	ARM, Tandem, Includes items 7, 17 - 20
17		2B-0116		4	BUSHING, M80 x 85 x 60 Long
18		2J-0118		4	SEAL, Scraper, 80 x 94 x 8 mm Thick
19		2J-0117		6	SEAL, Scraper, 60 x 74 x 8 mm Thick
20		2B-0117		6	BUSHING, 60 x 65 x 60 mm Long
21		2J-0116		2	SEAL, Scraper, 50 x 62 x 7 mm Thick
22		2B-0118		2	BUSHING, 50 x 55 x 60 mm Long
23		2B-0115		2	BUSHING, 140 x 145 x 100 mm Long
24		2J-0119		2	SEAL, Scraper, 140 x 160 x 10 mm Thick
25		2M-0161-100		1	DECAL, TTS Greasing
26		224090131		2	WASHER, Flat, ISO 7091, 300HV, zn
27		2M-0179-100		1	PLATE, Branding, Camso
28		2F-0096		4	SCREW, Drive, SCR Type-U, SS, zn

Tension Link Assembly



CP0947

TRAILED TRACK SYSTEM 100 & 110 SERIES
(324" TRACK) (INCLUDES 100-3612, 110-3614, 110-3615)

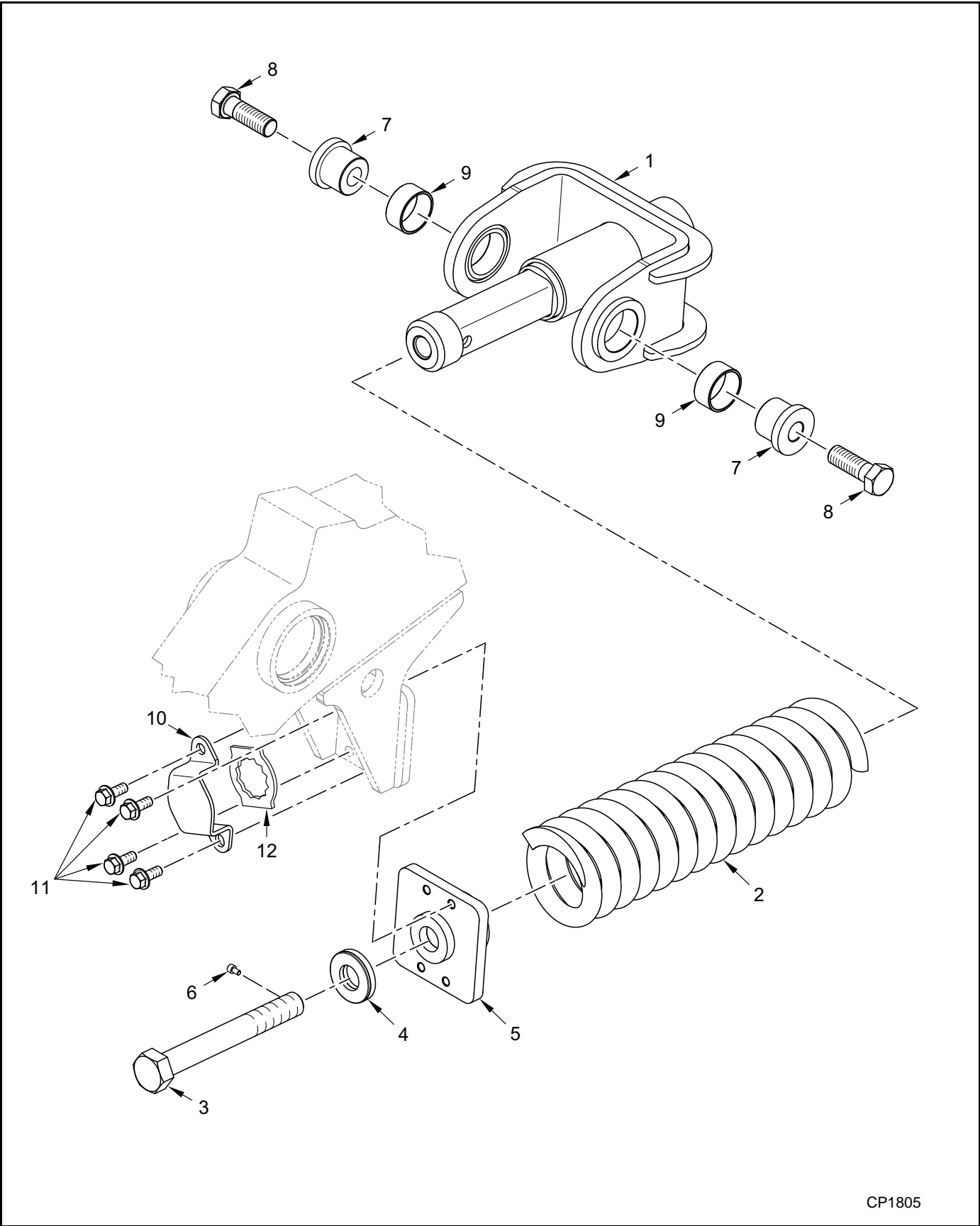
Tension Link Assembly

(2A-0924 & 2A-2531)

Ref.	FN	Part Number	TTS Series	Qty.	Description
		2A-0924-101SP		1	LINK ASSY., Tension, Includes items 1, 5, 6 & 7
1		2A-0925-101		1	LINK, Tension
2		2S-0424-000		1	PIN, Tensioner
3		2F-0323		1	BOLT, Hex, M20 x 50 CI 10.9
4		2C-2024-100		1	SPACER, Fig., M20
5		NSS		1	HUB, Idler, See page 3-18
6		NSS		1	AXLE, Idler
7	1	2J-0026		2	SEAL, Mechanical Face, 127 mm ID

1 - For Special Tooling use p/n 2P-0019-100 Seal Installation Tool available from Camso.

Tensioner Assembly



CP1805

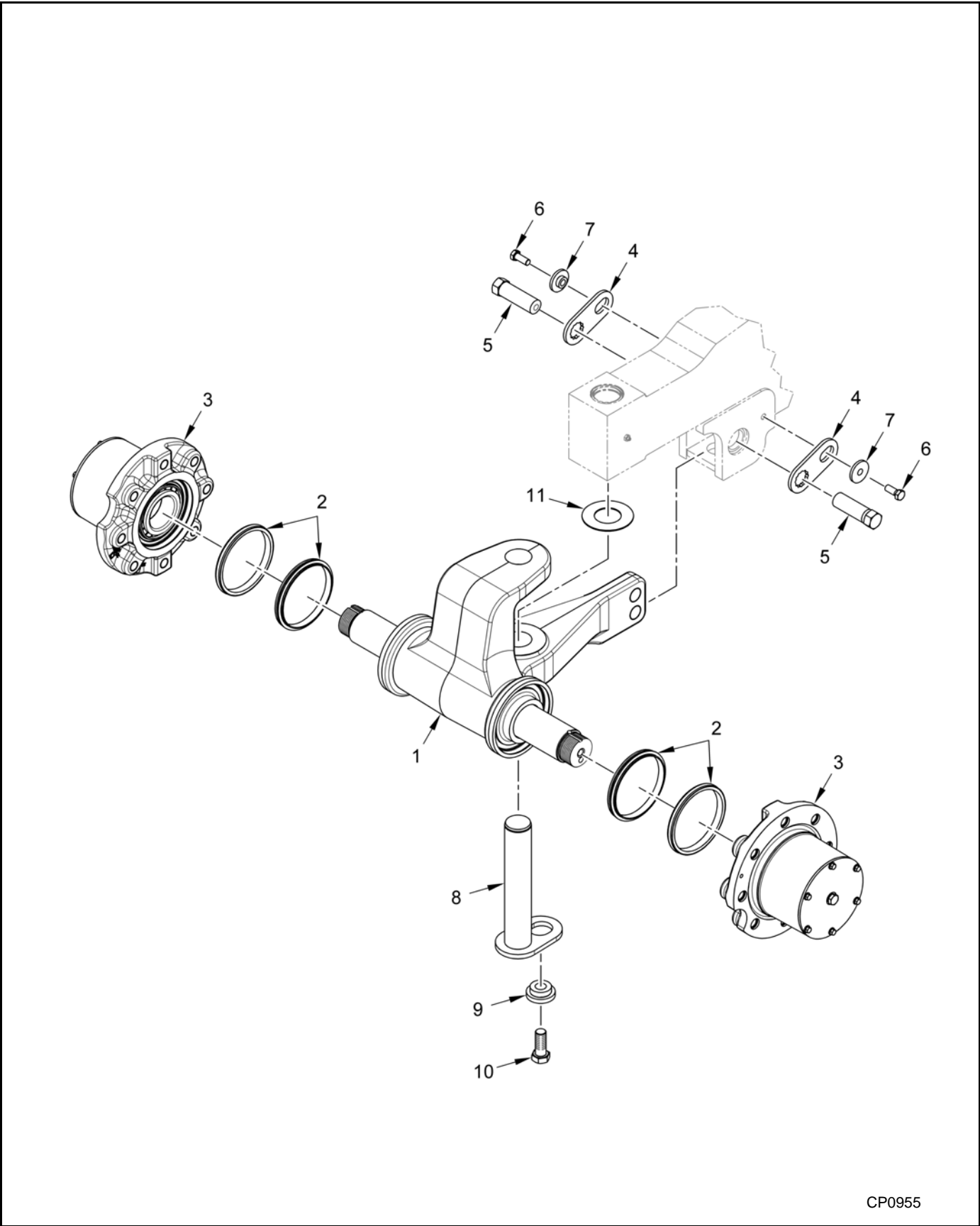
TRAILED TRACK SYSTEM 100 & 110 SERIES
(324" TRACK) (INCLUDES 100-3612, 110-3614, 110-3615)

Tensioner Assembly

(2A-1001 & 2A-2531)

Ref.	FN	Part Number	TTS Series	Qty.	Description
		2A-1001-100SP		1	TENSIONER ASSY., Track, Includes items 1 - 6, 9
1		2A-0994-100SP		1	SEAT, Spring, Includes items 9
2		2M-0145-001SP		1	SPRING
3		2C-2255-100		1	SCREW, Compression, M30 x 3.5 x 240
4		2F-0322		1	WASHER, Flat, 1.25"
5		2S-0429-101SP		1	SUPPORT, Head
6		2F-0324		1	SCREW, Set, Hex Socket, M6 x 10 CI 12.9
7		2C-2262-100		2	SPACER
8		2F-0181		2	BOLT, Hex, M24 x 70 CI 10.9
9		2B-0133		2	BUSHING, Oil-Tite
		2S-0432-001SP		1	CAP ASSY., Locking, Includes 10 - 12
10		2C-2251-100		1	CAP, Locking
11		2F-0001		4	BOLT, Hex Flg., M12 x 30 CI 10.9
12		2C-2250-100		1	WASHER, Locking

Alignment Assembly



CP0955

TRAILED TRACK SYSTEM 100 & 110 SERIES
(324" TRACK) (INCLUDES 100-3612, 110-3614, 110-3615)

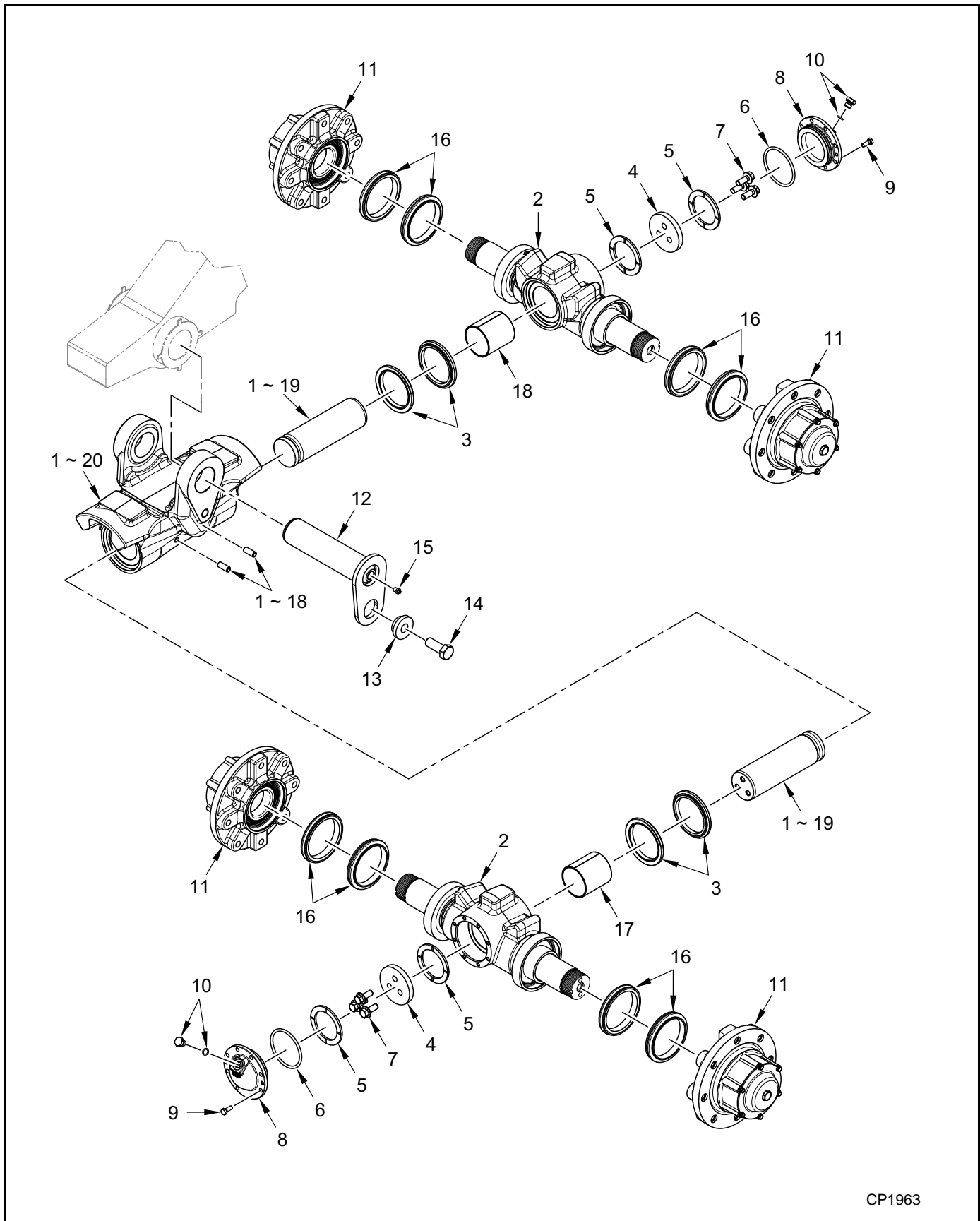
Alignment Assembly

(2A-0922 & 2A-2531)

Ref.	FN	Part Number	TTS Series	Qty.	Description
		2A-0922-101SP		1	ALIGNMENT ASSY., Lever, Includes items 1 & 3
1		2A-0923-101		1	LEVER, Alignment
2	1	2J-0026		2	SEAL, Mechanical Face, 127 mm ID
3		NSS		2	HUB, Idler, See page 3-18
4		2C-0387		2	PLATE, Lock
5		2F-0531		2	SCREW, Set, Special, 1-1/8" x 85 mm
6		2F-0005		2	BOLT, Hex, M12 x 30 Cl 10.9
7		2C-0008		2	SPACER, Flanged
8		2S-0352-000		1	PIN, Mounting
9		2C-2024-100		1	SPACER, Flg., M20
10		2F-0323		1	BOLT, Hex, M20 x 50 Cl 10.9
11		2C-2023-100		1	WASHER, Thrust, 50 mm

1 - For Special Tooling use p/n 2P-0019-100 Seal Installation Tool available from Camso.

Bogie Assembly - Mid-roller



CP1963

TRAILED TRACK SYSTEM 100 & 110 SERIES
(324" TRACK) (INCLUDES 100-3612, 110-3614, 110-3615)

Bogie Assembly - Mid-roller

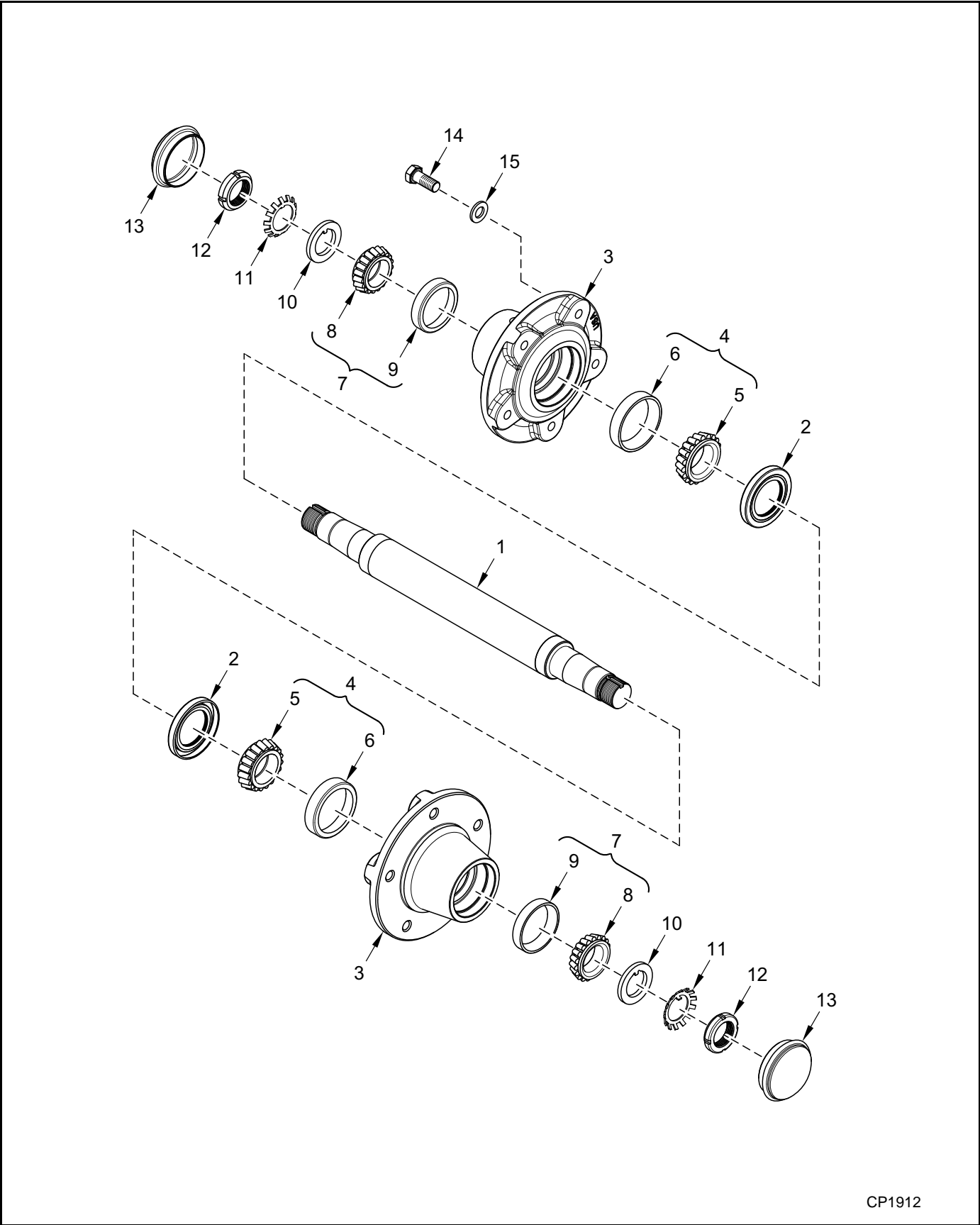
(2A-2530 & 2A-2531)

Ref.	FN	Part Number	TTS Series	Qty.	Description
		2A-2530-101SP		1	BOGIE ASSY., Mid-roller, Includes items 1 - 20
	2	2A-2529-101		2	HUB and AXLE ASSY., Mid-roller, Includes items 2, 11, 16 & 17
1		2A-0919-100		1	DOGHOUSE ASSY., Mid-roller, Includes items 18 - 20
2		2A-0921-100		2	AXLE, Mid-roller
3		2J-0090		2	SEAL, Mechanical Face, 88 mm Sq.
4		2C-1335		2	PLATE, End
5		2C-1334		4	RING, Thrust, 70.3 mm ID
6		2J-0141		2	O-RING
7		2F-0001		6	BOLT, Hex Flg., M12 x 30 CI 10.9
8		2C-1327		2	COVER, End
9		222082066		16	BOLT, Hex, M8 x 20 CI 10.9
10		108609500		2	PLUG, End Cover
11		2C-4798-101		4	HUB, Mid-roller, See page 3-20
12		2S-0351-000		1	PIN, Mounting
13		2C-2024-100		1	SPACER, Flg., M20
14		2F-0323		1	BOLT, Hex, M20 x 50 CI 10.9
15		2H-0060		1	FITTING, Grease, 1/8"-27 PTF Short
16	1	2J-0213		4	SEAL, Mechanical Face
17		2B-0119		2	BUSHING, PT, 70 x 75 x 80 mm Long
18		NSS		2	SCREW, Hex Socket, M12 x 30
19		NSS		2	PIN, Connection
20		NSS		1	DOGHOUSE, Mid-roller

1 - For Special Tooling use p/n 2P-0020-100 Seal Installation Tool available from Camso.

2 - Includes 1/2 qty. of items 2, 11, 16 & 17.

Carrier Assembly



CP1912

TRAILED TRACK SYSTEM 100 & 110 SERIES
(324" TRACK) (INCLUDES 100-3612, 110-3614, 110-3615)

Carrier Assembly

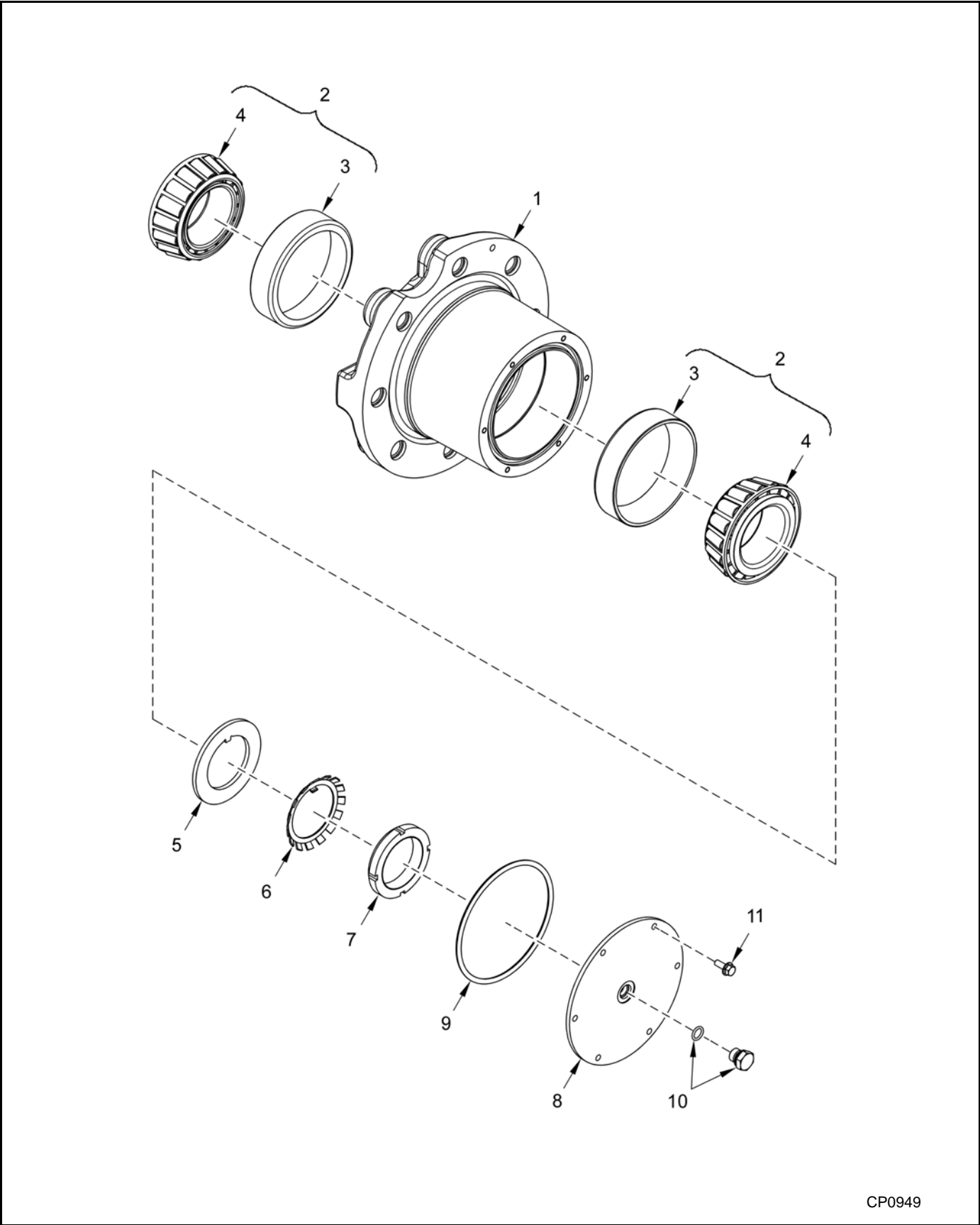
(2A-0931)

Ref.	FN	Part Number	TTS Series	Qty.	Description
		2A-0931-101SP		1	CARRIER ASSY., Roller, Includes items 1 - 13
1		2C-2046-101		1	AXLE, Carrier Roller
2		2J-0120		2	SEAL, Grease
3		2A-0932-101		2	HUB, Roller Carrier, Includes 6 & 9
4		2A-1064-100		2	BEARING SERVICE SET., Inner, Includes items 5 & 6
5		NSS		2	BEARING, Roller, Cone (2B-0121)
6		NSS		2	BEARING, Roller, Cup (2B-0122)
7		2A-1065-100		2	BEARING SERVICE SET., Outer, Includes items 8 & 9
8		NSS		2	BEARING, Roller, Cone (2B-0064)
9		NSS		2	BEARING, Roller, Cup (2B-0063)
10		2C-2080-100		2	WASHER, Tongue, #06
11	2	2F-0247		2	WASHER, Lock
12	1	2F-0246		2	NUT, Lock
13		2M-0024		2	CAP, Hub

1 - For Special Tooling use p/n 2P-0022-100 Bearing Locknut Tool available from Camso.

2 - For Special Tooling use p/n 2P-0180-100 Lock Washer Tab Bender available from Camso.

Hub - Idler



CP0949

TRAILED TRACK SYSTEM 100 & 110 SERIES
(324" TRACK) (INCLUDES 100-3612, 110-3614, 110-3615)

Hub - Idler

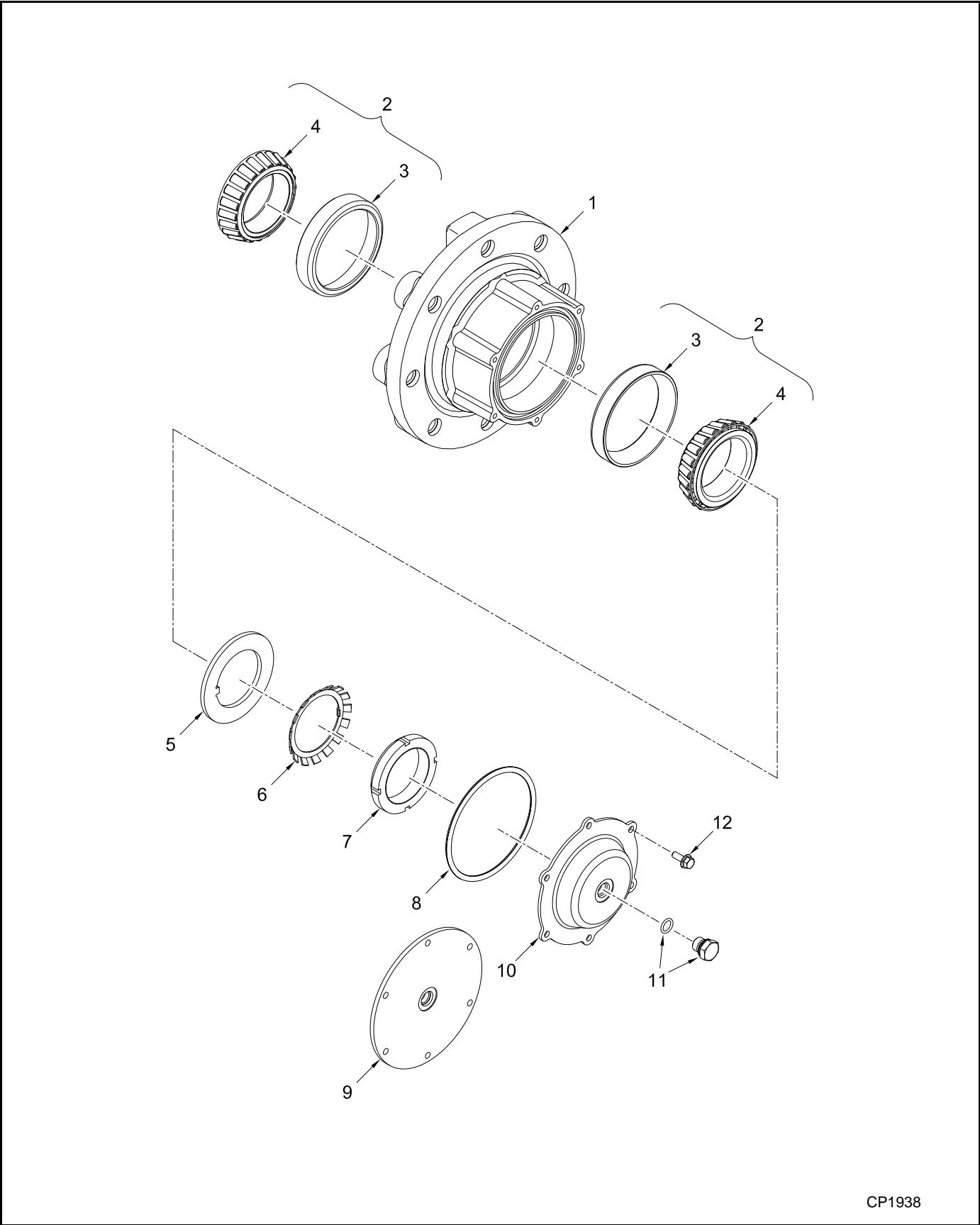
(2A-0922 & 2A-0924)

Ref.	FN	Part Number	TTS Series	Qty.	Description
1		2C-2013-101		1	HUB, Idler
2		2A-1067-100		2	BEARING SERVICE SET, Idler, Includes items 3 & 4
3		NSS		1	BEARING, Roller, Cup (2B-0032)
4		NSS		1	BEARING, Roller Cone (2B-0120)
5		674012700		1	WASHER, Tongue
6	2	105023916		1	WASHER, Lock
7	1	105023915		1	NUT, Lock
8		2C-0196-101		1	COVER, Idler Hub
9		106023515		1	O-RING
10		108609500		1	PLUG ASSY., Includes O-Ring
11		761301665		6	BOLT, Hex Flg., M6 x16 Cl 10.9

1 - For Special Tooling use p/n 2P-0021-100 Bearing Locknut Socket available from Camso.

2 - For Special Tooling use p/n 2P-0180-100 Lock Washer Tab Bender available from Camso.

Hub - Mid-roller



CP1938

TRAILED TRACK SYSTEM 100 &110 SERIES
(324" TRACK) (INCLUDES 100-3612, 110-3614, 110-3615)

Hub - Mid-roller

(2A-2529)

Ref.	FN	Part Number	TTS Series	Qty.	Description
1	3	2C-4798-101SP		1	HUB, Mid-roller
2		2A-1066-100SP		2	BEARING SERVICE SET, Mid-roller, Includes items 3 & 4
3		NSS		1	BEARING, Roller, Cup (2B-0157)
4		NSS		1	BEARING, Roller Cone (2B-0161)
5		674012700		1	WASHER, Tongue
6	2	105023916		1	WASHER, Lock
7	1	105023915		1	NUT, Lock
8		106023515		1	O-RING
9	4	2C-2679-101SP		1	COVER, Idler Hub, Flat
10	5	2C-4229-101SP		1	COVER, Idler Hub, Formed
11		108609500		1	PLUG, Hex, M14
12		761301665		6	BOLT, Hex Flg., M6 x 16, CI 10.9

1 - For Special Tooling use p/n 2P-0021-100 Bearing Locknut Socket available from Camso.

2 - For Special Tooling use p/n 2P-0180-100 Lock Washer Tab Bender available from Camso.

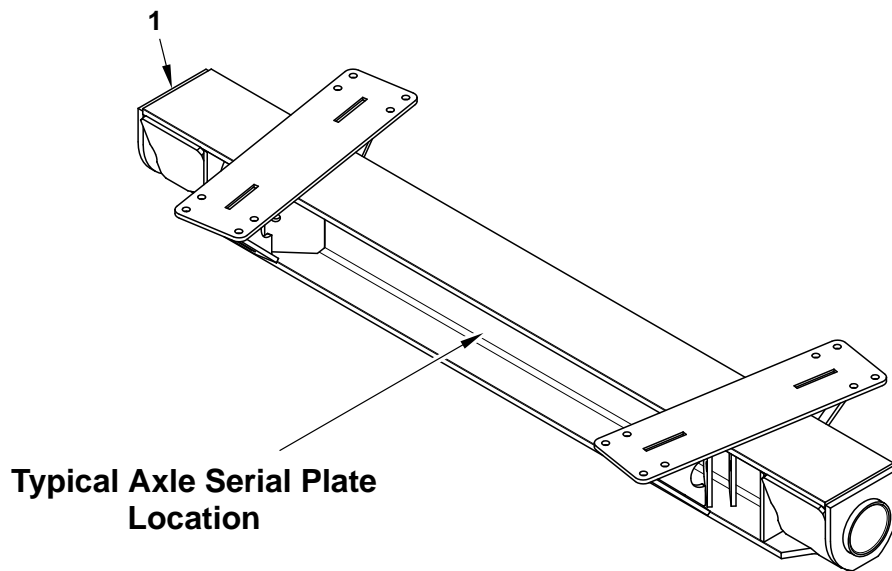
3 - P/n 2C-1320 Mid-roller Hub is replaced with 2C-4798-101SP Shorter Mid-roller Hub. If you are replacing 2C-1320 Hub with a 2C-4798-101SP Hub, Mid-roller Wide. You must also order Formed Hub Cover 2C-4229-101SP.

4 - P/n 2C-2679-101SP Flat Hub Cover only fits 2C-1320 Hubs.

5 - P/n 2C-4229-101SP Formed Hub Cover only fits on 2C-4798-101SP Mid-roller Hubs.

Axles

Straight I-Beam



CP1914

FITMENT KITS

Axles

Ref.	FN	Part Number	Brand	Application	Axle Pin Diameter	Center to Center of Tracks	Mounting Type	Axle Replacement Part Number
1		2A-1111-100	Amity	Beet Harvest Cart	5.5"	100"	Bolt On	2A-2007-100
		2S-0484-101						
		2A-1126-100	Amity	Beet Harvest Cart	5.5"	125"	Bolt On	*
		2S-0498-101						
1		2A-2007-100	Amity	Beet Harvest Cart	5.5"	100"	Bolt On	*
		2S-1684-001						
		2A-0946	Brent	1082 / 1084 Cart	4.5"	123"	Bolt On	2A-2209-100
		2C-2089						
1		2A-2209-100	Brent	1082 / 1084 Cart	4.5"	123"	Bolt On	*
		2S-1800-001						
		2A-0299	Demco	1050 Cart	4.5"	123"	Bolt On	2A-1968-100
		2C-1454						
		2A-0417	Demco	850 Cart	4.5"	123"	Bolt On	2A-1995-100
		2C-1433						
		2A-0648	Demco	1400 Cart	5.5"	116"	Weld On	2A-2054-100
		2C-1294						
		2A-0850	Demco	1150 Cart	5.5"	126"	Bolt On	2A-1928-100
		2C-1691						
		2A-1029-100	Demco	850 Cart	4.5"	123"	Bolt On	2A-1995-100
		2S-0438-101						
		2A-1030-100	Demco	1050 Cart	4.5"	123"	Bolt On	2A-1968-100
		2S-0439-101						
		2A-1031-100	Demco	1150 Cart	5.5"	126"	Bolt On	2A-1928-100
		2S-0440-101						
1		2A-1928-100	Demco	1150 Cart	5.5"	126"	Bolt On	*
		2S-1632-001						
1		2A-1968-100	Demco	1050 Cart	4.5"	123"	Bolt On	*
		2S-1660-001						

NOTE: Axle shown is representative of the axle design. Actual axle may vary from the illustration.

NOTE: 4" axles are designed for SBL or FHS (Flexhaul) undercarriages only.

NOTE: 4.5" axle pin diameter are for 70 series undercarriages and 5.5" and 149mm axle pin diameter are for 80 - 110 series undercarriage axles.

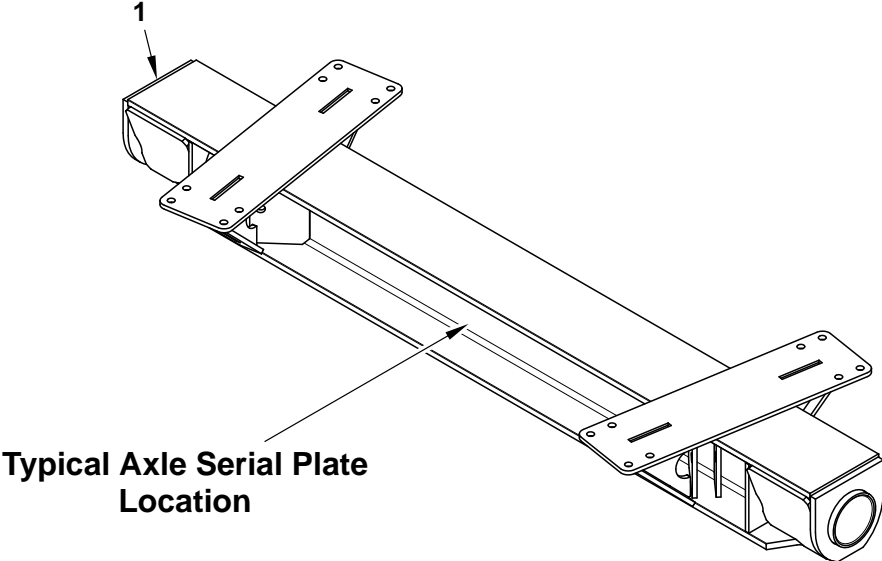
1- This axle has a camber of 0.8 degrees.

* Use the part/model number from the axle serial number plate.

Continued on Next Page

Axles

Straight I-Beam



FITMENT KITS

Axles

Ref.	FN	Part Number	Brand	Application	Axle Pin Diameter	Center to Center of Tracks	Mounting Type	Axle Replacement Part Number
1	1	2A-1995-100	Demco	850 Cart	4.5"	123"	Bolt On	*
		2S-1677-001						
1	1	2A-2050-100	Demco	1122-1322 Cart	149mm	120"	Weld On	*
		2S-1718-001						
1	1	2A-2054-100	Demco	1400 Cart	5.5"	118"	Weld On	*
		2S-1724-000						
		2A-0433	Force Unlimited	Pro-Force Spreader	4.5"	115"	Bolt On	*
		2C-1575						
		2A-0750	Hardi	88" 6,600 Commander	4"	Unknown	Bolt On	*
		2C-1487						
		2A-0749	Hardi	88" 10,000 Commander	4"	Unknown	Bolt On	*
		2C-1477						
		2A-0804	Hardi	120" 4400 Sprayer	4"	120"	Bolt On	*
		2C-1604						
		2A-0805	Hardi	120 6,600 Commander	4"	120"	Bolt On	*
		2C-1605						
		2A-0806	Hardi	120" 10,000 Commander	4"	120"	Bolt On	*
		2C-1606						
		2A-0449	J&M	1050 Cart	4.5"	104"	Bolt On	2A-2012-100
		2S-0110						
		2A-0752	J&M	1150 HD	5.5"	104"	Bolt On	2A-2017-100
		2C-1501						
		2A-0774	J&M	1050 Cart	4.5"	104"	Bolt On	2A-2012-100
		2C-1554						
1	1	2A-2012-100	J&M	850-1050 Cart	4.5"	104"	Bolt On	*
		2S-1691-001						
1	1	2A-2017-100	J&M	1150 HD	5.5"	104"	Bolt On	*
		2S-1698-001						

NOTE: Axle shown is representative of the axle design. Actual axle may vary from the illustration.

NOTE: 4" axles are designed for SBL or FHS (Flexhaul) undercarriages only.

NOTE: 4.5" axle pin diameter are for 70 series undercarriages and 5.5" and 149mm axle pin diameter are for 80 - 110 series undercarriage axles.

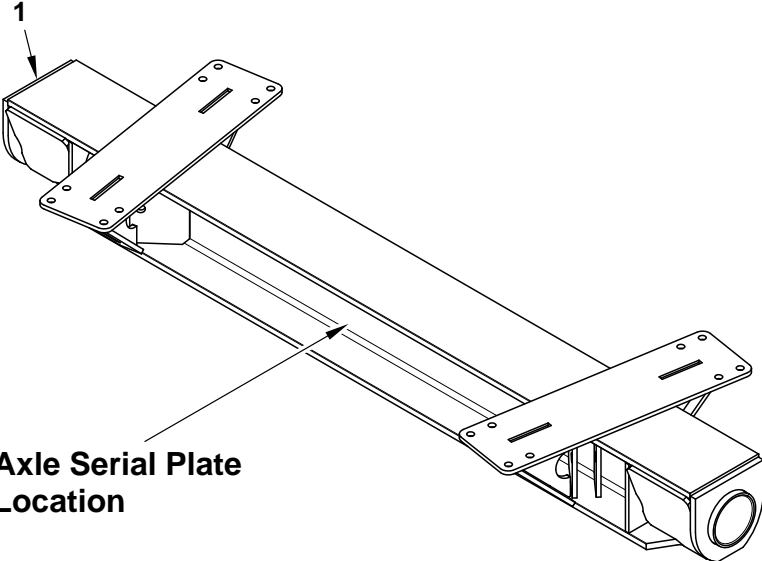
1- This axle has a camber of 0.8 degrees.

* Use the part/model number from the axle serial number plate.

Continued on Next Page

Axles

Straight I-Beam



Typical Axle Serial Plate Location

FITMENT KITS

Axles

Ref.	FN	Part Number	Brand	Application	Axle Pin Diameter (in.)	Center to Center of Tracks	Mounting Type	Axle Replacement Part Number
1	1	2A-2063-100	J&M	1151 Cart 5 PTN Scale PIN	5.5"	108"	Bolt On	*
		2A-2030-100						
		2A-0545	Meyer	XTT3000 Spreader	4.5"	87"	Weld On	*
		2C-1420						
		2A-0610	Meyer	XTT4500 Spreader	5.5"	93"	Weld On	*
		2C-1572						
		2A-0597	Orthman	Auger Cart	4.5"	128"	Bolt On	*
		2C-1564						
		2A-0757	Ropa	2011 S-Beet Dump Cart	5.5"	120"	Weld On	*
		2C-1506						
		2A-0763	Ropa	2011 Sugar Beet Cart	5.5"	160"	Bolt On	*
		2C-1522						
		2A-0765	Ropa	2011 Sugar Beet Cart	5.5"	120"	Bolt On	*
		2C-1528						
		2A-0809	Ropa	2012 Sugar Beet Cart	5.5"	120"	Bolt On	*
		2C-1610						
		2A-1032-100	Ropa	2014 Sugar Beet Cart	5.5"	116"	Bolt On	2A-2193-100
		2S-0441-101						
		2A-1538-100	Ropa	2016 Sugar Beet Cart	5.5"	116"	Bolt On	2A-2193-100
		2S-1380-101						
1		2A-2001-100	Ropa	Big Bear	5.5"	116"	Bolt On	2A-2193-100
		2S-1638-101						
1		2A-2193-100	Ropa	Big Bear	5.5"	116"	Bolt On	*
		2S-1775-001						
		2A-0498	Tri-County	X	5.5"	106"	Bolt On	*
		2S-0127						
		2A-1977-100	Universal	Universal	4.5"	77"	Bolt On	*
		2S-1667-001						

NOTE: Axle shown is representative of the axle design. Actual axle may vary from the illustration.

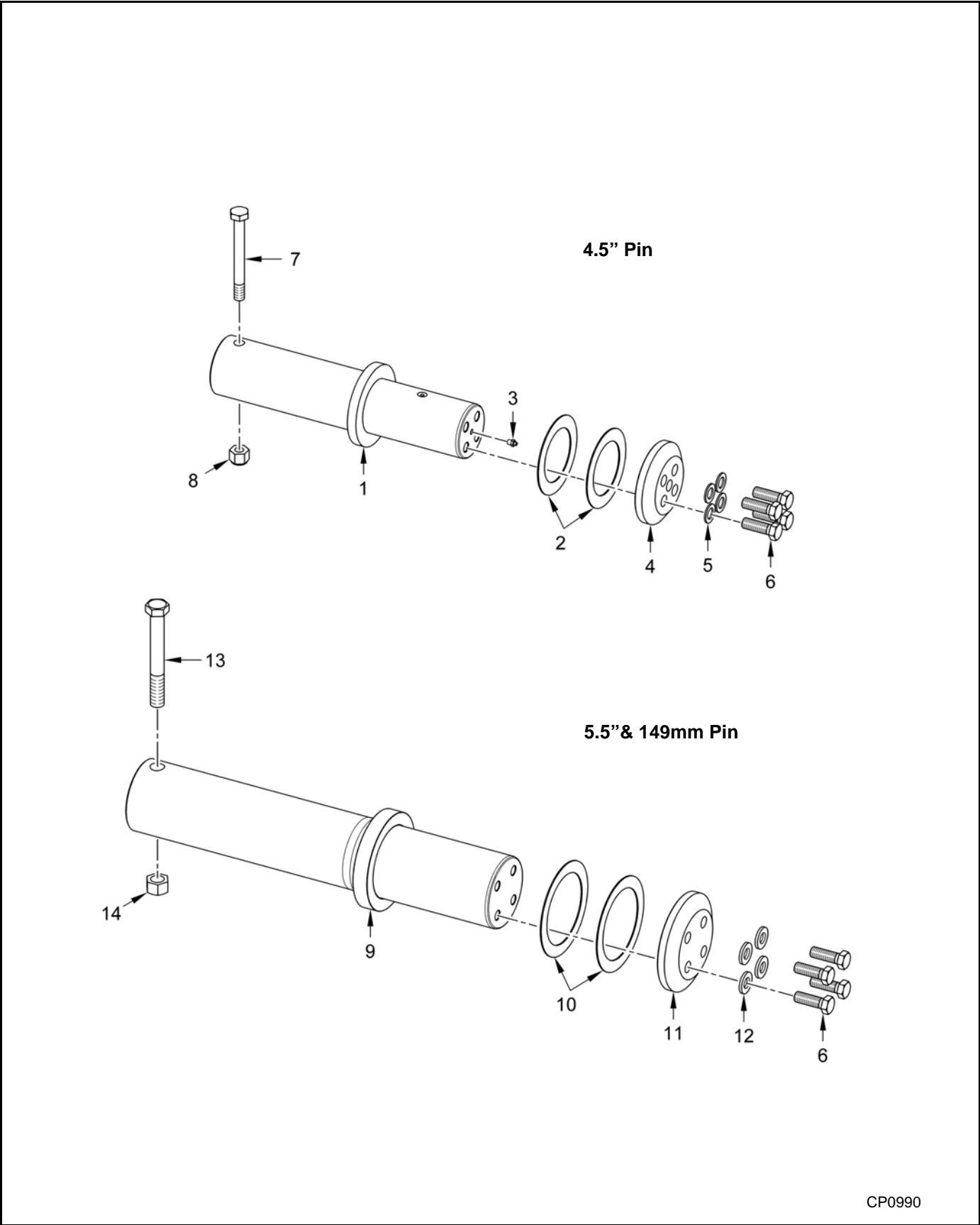
NOTE: 4" axles are designed for SBL or FHS (Flexhaul) undercarriages only.

NOTE: 4.5" axle pin diameter are for 70 series undercarriages and 5.5" and 149mm axle pin diameter are for 80 - 110 series undercarriage axles.

1- This axle has a camber of 0.8 degrees.

* Use the part/model number from the axle serial number plate.

4.5", 5.5" & 149mm Straight Pins



CP0990

FITMENT KITS

4.5", 5.5" & 149mm Straight Pins

(2A-0962 & 2A-0935)

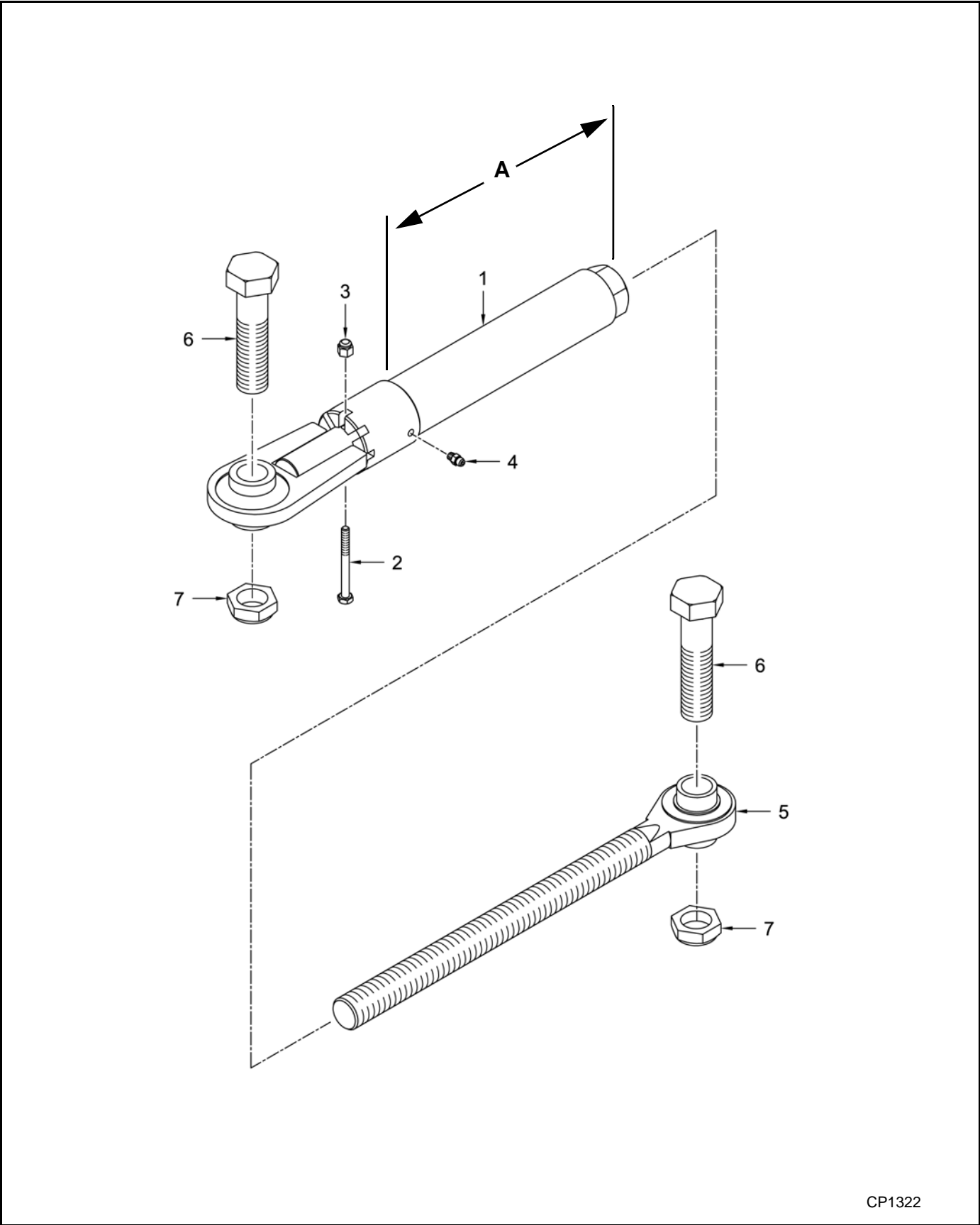
Ref.	FN	Part Number	TTS Series	Qty.	Description
1	1	2A-0963-101SP		1	PIN, Main (Black)
2	1	2C-2168-100		2	WASHER, Thrust, 105 mm
3	1	2H-0060		1	FITTING, Grease, 1/8"-27 PTF short
4	1	2C-2169-100		1	CAP, End
5	1	224090131		4	WASHER, Flat, M20
6		2F-0107		4	BOLT, Hex, M20 x 60 CI 10.9
7	1	3F-0044		1	BOLT, Hex, 3/4"-10 UNC x 7" Gr 8
8	1	3F-0004		1	NUT, Lock, 3/4"-10 UNC
9	2	2A-0936-101SP		1	PIN, Main (Black)
	3	2A-2044-101SP		1	PIN, Main (Black)
10	2, 3	2C-2034-100		2	WASHER, Thrust, 140 mm
11	2, 3	2C-2049-100		1	CAP, End, 140 mm
12	2, 3	224091351		4	WASHER, Flat, 21.4" x 42" x 5"
13	2	3F-0015		1	BOLT, Hex, 1"-8 UNC x 8" Gr 8
	3	2F-0369		1	BOLT, Hex, M24 x 220 CI 10.9
14	2	3F-0016		1	NUT, Lock, 1"-8 UNC
	3	2F-0179		1	NUT, Lock, M24 CI 10

1 - 4.5" Pin (4.5" on Axle side and 104mm on undercarriage side)

2 - 5.5" Pin (5.5" on Axle side and 140mm on undercarriage side)

3 - 149mm Pin (149mm on Axle side and 140mm on undercarriage side)

6" & 9" Stabilizer Assemblies



CP1322

FITMENT KITS

6" & 9" Stabilizer Assemblies

(2A-0584 & 2A-0585)

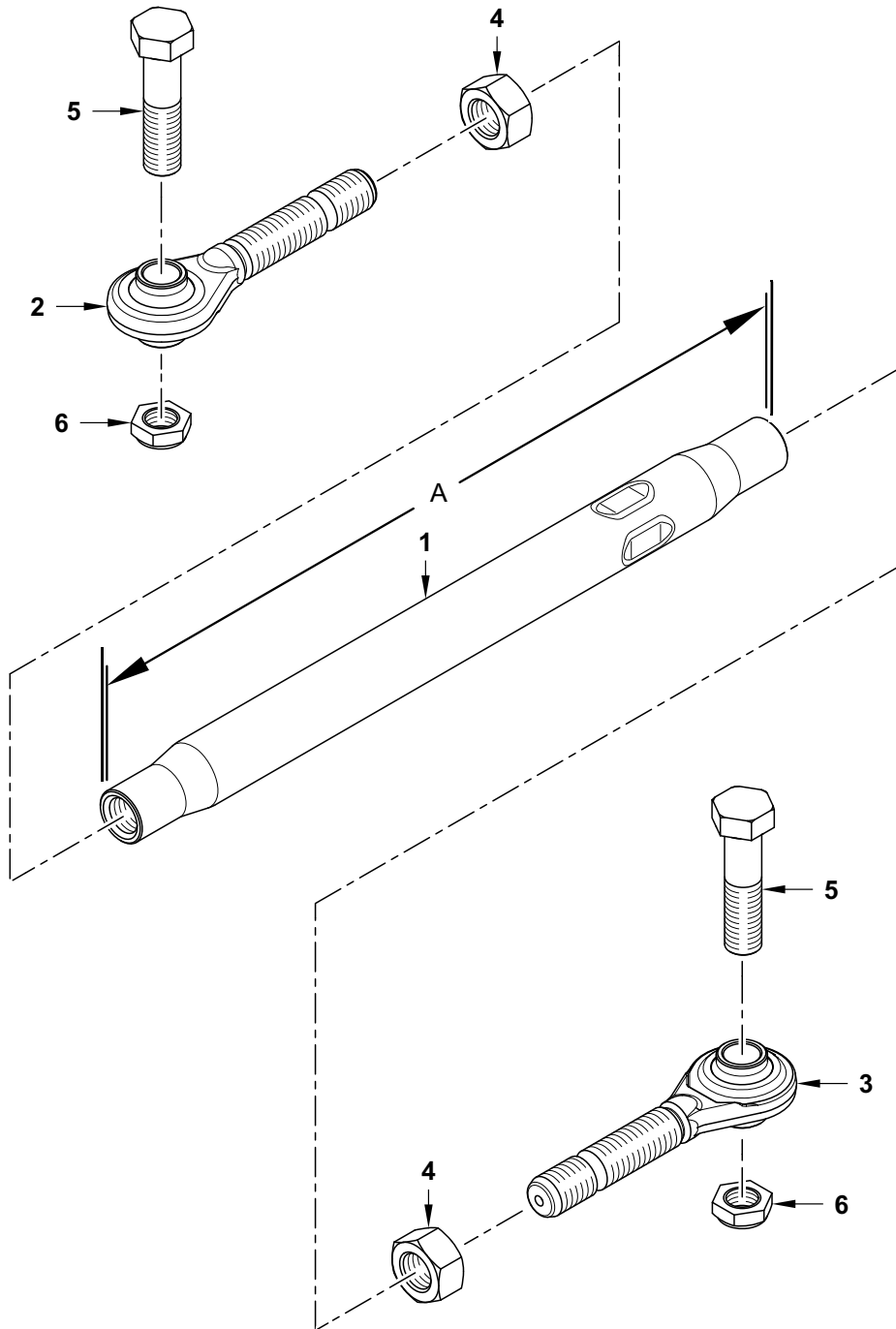
Ref.	FN	Part Number	TTS Series	Qty.	Description	
		2A-0529SP	70-2516	1	TURNBUCKLE, 6" (Dimension A = 6"), Includes items 1- 5	
			70-2517	1	TURNBUCKLE, 6" (Dimension A = 6"), Includes items 1- 5	
			70-3011	1	TURNBUCKLE, 6" (Dimension A = 6"), Includes items 1- 5	
			70-3012	1	TURNBUCKLE, 6" (Dimension A = 6"), Includes items 1- 5	
			70-3611	1	TURNBUCKLE, 6" (Dimension A = 6"), Includes items 1- 5	
			70-3612	1	TURNBUCKLE, 6" (Dimension A = 6"), Includes items 1- 5	
		2A-0583		70-2516	1	TURNBUCKLE, 9" (Dimension A = 9"), Includes items 1 - 5
				70-2517	1	TURNBUCKLE, 9" (Dimension A = 9"), Includes items 1 - 5
				70-3011	1	TURNBUCKLE, 9" (Dimension A = 9"), Includes items 1 - 5
				70-3012	1	TURNBUCKLE, 9" (Dimension A = 9"), Includes items 1 - 5
				70-3611	1	TURNBUCKLE, 9" (Dimension A = 9"), Includes items 1 - 5
				70-3612	1	TURNBUCKLE, 9" (Dimension A = 9"), Includes items 1 - 5
1		NSS		1	TURNBUCKLE	
2		3F-0042		1	BOLT, Hex, 2-3/4" x 1/4"-20 UNC Gr 8	
3		3F-0043		1	NUT, Hex, Nylon, 1-1/4"-20 UNC Gr 8	
4		96746854		1	FITTING, Grease, 1/4"-28 BSPT	
5	1	2C-1003		1	LINK, Threaded	
	2	2M-0027		1	LINK, Threaded	
6		3F-0040		2	BOLT, Hex, 4" x 1"-4 UNC Gr 8	
7		3F-0041		2	NUT, Jam, 1"-14 UNC Gr 8	

Note: A TTS undercarriage system uses multiple stabilizer assemblies to limit undercarriage rotation and to help spread the twisting loads around the pin and back into the center axle. Correct adjustments are critical to proper operation and to maintain track alignment. Make sure to reference your Owner's Manual for proper adjust procedures.

1 - Used with 6" Stabilizer

2 - Used with 9" Stabilizer

16.75" & 24" Stabilizer Assemblies



CP1968

FITMENT KITS

16.75" & 24" Stabilizer Assemblies

(2A-0993-100 & 2A-0992-100)

Ref.	FN	Part Number	TTS Series	Qty.	Description
	1	2A-0995-100	70-2516	1	STABILIZER ASSY., 16.75" (Dimension A = 16.75"), Includes items 1 - 4
			70-2517	1	STABILIZER ASSY., 16.75" (Dimension A = 16.75"), Includes items 1 - 4
			70-3011	1	STABILIZER ASSY., 16.75" (Dimension A = 16.75"), Includes items 1 - 4
			70-3012	1	STABILIZER ASSY., 16.75" (Dimension A = 16.75"), Includes items 1 - 4
			70-3611	1	STABILIZER ASSY., 16.75" (Dimension A = 16.75"), Includes items 1 - 4
			70-3612	1	STABILIZER ASSY., 16.75" (Dimension A = 16.75"), Includes items 1 - 4
	2	2A-0991-100	80-3013	2	STABILIZER ASSY., 24" (Dimension A = 24"), Includes items 1 - 4
			80-3014	2	STABILIZER ASSY., 24" (Dimension A = 24"), Includes items 1 - 4
			100-3612	2	STABILIZER ASSY., 24" (Dimension A = 24"), Includes items 1 - 4
			100-3613	2	STABILIZER ASSY., 24" (Dimension A = 24"), Includes items 1 - 4
			100-3614	2	STABILIZER ASSY., 24" (Dimension A = 24"), Includes items 1 - 4
	3	2A-0991-100	110-3614	2	STABILIZER ASSY., 24" (Dimension A = 24"), Includes items 1 - 4
			110-3615	2	STABILIZER ASSY., 24" (Dimension A = 24"), Includes items 1 - 4
1		NSS		1	TUBE, Stabilizer
2		NSS		1	BOLT, Eye, LH, M30 x 3
3		NSS		1	BOLT, Eye, RH, M30 x 3
4		NSS		2	NUT, Hex, M30 x 3
5		3F-0040		2	BOLT, Hex, 4" x 1"-14 UNC Gr 8
6		3F-0041		2	NUT, Jam, 1"-14 UNC Gr 8

Note: A TTS undercarriage system uses multiple stabilizer assemblies to limit undercarriage rotation and to help spread the twisting loads around the pin and back into the center axle. Correct adjustments are critical to proper operation and to maintain track alignment. Make sure to reference your Owner's Manual for proper adjust procedures.

1 - Used on 70 series (1 Turnbuckle per undercarriage).

2 - Used on 80 and 100 series (2 Turnbuckles per undercarriage).

3 - Used on 110 series (2 Turnbuckles per undercarriage).

