

PARTS MANUAL

CPB-517
2P-0056

Trailed Track System (TTS)

30 Series (30-1611 / 30-1612, 35-1813, 35-2011, 35-2211, 35-2212, 35-2511
& 35-2512)

40 Series (40-1511, 40-1512, 40-2512, 40-2513, 45-1815, 45-1816
excludes 45-1814)

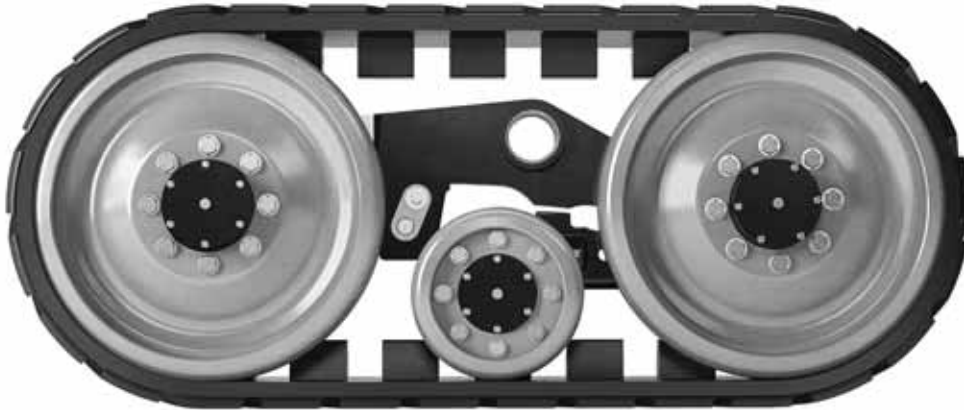


TABLE OF CONTENTS

FOREWORD	4
Track Series & Brand Comparison	4
TTS Special Tools Kit	4
Abbreviations	5
Location of Product Model and Serial Number (Identification plate)	5
Parts Ordering Procedure	5
Parts List Format	5
TRAILED TRACK SYSTEM 30 - 40 SERIES (SINGLE MID-ROLLER AXLE)	30-2
Track & Undercarriage (167" Track)	30-2
Track & Undercarriage (187" Track)	30-6
Undercarriage Assembly	30-8
Frame Assembly	30-10
Tension Link Assembly	30-12
Tensioner Spring	30-14
Alignment Assembly	30-18
Bogie Assembly - Mid-roller (30-1611, 30-1612, 35-1813 & 35-2011)	30-20
Bogie Assembly - Mid-roller (35-2211, 35-2212, 35-2511, 35-2512, 40-2512, & 40-2513)	30-22
Hub - Idler	30-24
Hub - Mid-roller, Narrow (30-1611, 30-1612, 35-1813 & 35-2011)	30-26
Hub - Mid-roller, Wide (35-2211, 35-2212, 35-2511, 35-2512, 40-2512 & 40-2513)	30-28
TRAILED TRACK SYSTEM 40 SERIES (3 MID-ROLLER AXLES) INCLUDES 40-1511, 40-1512, 45-1815, & 45-1816 (EXCLUDES 40-2512, 40-2513 & 45-1814)	
40-2	
Track & Undercarriage	40-2
Undercarriage Assembly	40-4
Frame Assembly	40-6
Tension Link Assembly	40-8
Tensioner Spring	40-10
Tension Arm Assembly - Mid-roller	40-12
Alignment Assembly	40-14
Bogie Assembly - Mid-roller	40-16
Link Assembly - Alignment Tandem	40-18
Hub - Idler	40-20
Hub - Mid-roller	40-22
Hub - Carrier Roller	40-24

Continued On Next Page

FITMENT KITS	101-2
Axles	101-2
3.5" & 4.5" Pins	101-6
SPEED SENSOR KIT	102-2
John Deere DB Planter Products	102-2
CNH / IH Planter Products	102-4
DB44 SERIES PLANTER SPACER OR ROW LIFT KIT	103-2
4 Unit Row Lift Kit(2011 and Earlier)	103-2
Row Lift Unit	103-6
Row Unit Extension Kit (Non-Row Lift Option) (2012 and Later)	103-8
DB58 / 60 / 80 / 90 SERIES PLANTER ROW LIFT KIT	104-2
2 Unit Row Lift Kit (2012 and Earlier)	104-2
2 Unit Row Lift Kit (2013 and Later)	104-6
Row Lift Unit	104-10
Split Row Lift Kit - DB60	104-12
Offset Drive Bearing Kit - DB60 / 80	104-14
Drive Modification Kit - DB80	104-16
DB58 / 60 / 80 / 90 SERIES KITS	105-2
Roller Modification Kit - DB58 / 60 (S/N TTS1904007 and Earlier)	105-2
Offset Bracket Kit - DB58 / 60 (S/N TTS1904007 and Later)	105-4
Limit Lifting Switch - DB80 / 90 (S/N TTS1904007 and Earlier)	105-6

FOREWORD

Track Series & Brand Comparison

30 Series

TTS Model	30-1612	35-1813	35-2011	35-2211 & 35-2212	35-2511 & 35-2512	30-1611
Track Size	167" x 16.5"	167" x 18"	167" x 20"	167" x 22"	167" x 25"	187" x 16.5"
Track Part Number	G16AE03105	G18AE03099	G20AE03066	G22AE03568	G25AE03567	G16AJ03104

40 Series (excludes 45-1814)

TTS Model	40-1511 & 40-1512	40-2512 & 40-2513	45-1815 & 45-1816
Track Size	187" x 15"	187" x 25"	187" x 18"
Track Part Number	G15BU03103	G25AJ03512	G18BU03136

TTS Special Tools Kit

Part Number	FN	Description
2P-0204		TTS Special Tools Kit (Includes items below)
2P-0019-100	1	Mechanical Face Seal Installation Tool (Idler)
2P-0259	2	Mechanical Face Seal Installation Tool (Idler)
2P-0020-100		Mechanical Face Seal Installation Tool (Mid-roller)
2P-0021-100		Spanner Socket (Mid-roller & Idler)
2P-0022-100		Spanner Socket (Carrier Roller)
2P-0180-100		Lock Washer Tab Bender
2P-0205-100		Tensioning Spring Locknut Socket

1 - Used on all idlers **except:** 40-1511, 40-1512, 45-1815 & 45-1816

2 - Used on idlers: 40-1511, 40-1512, 45-1815 & 45-1816

FOREWORD (CONT'D)

Abbreviations

- FN** - Footnote is a column in the parts list used to communicate information that directly effects the part it's lined up with. The number used will correspond with information located below the parts list.
- REF** - Reference used in the part number column indicates the part has special service information. The location of this information is often referenced in the description column.
- UAR** - Use As Required (UAR) is used in the quantity column indicating the number of parts used is determined by service needs.
- NSS** - Not Serviced Separately (NSS) in a part number column indicates the part is not available for service.

Location of Product Model and Serial Number (Identification plate)



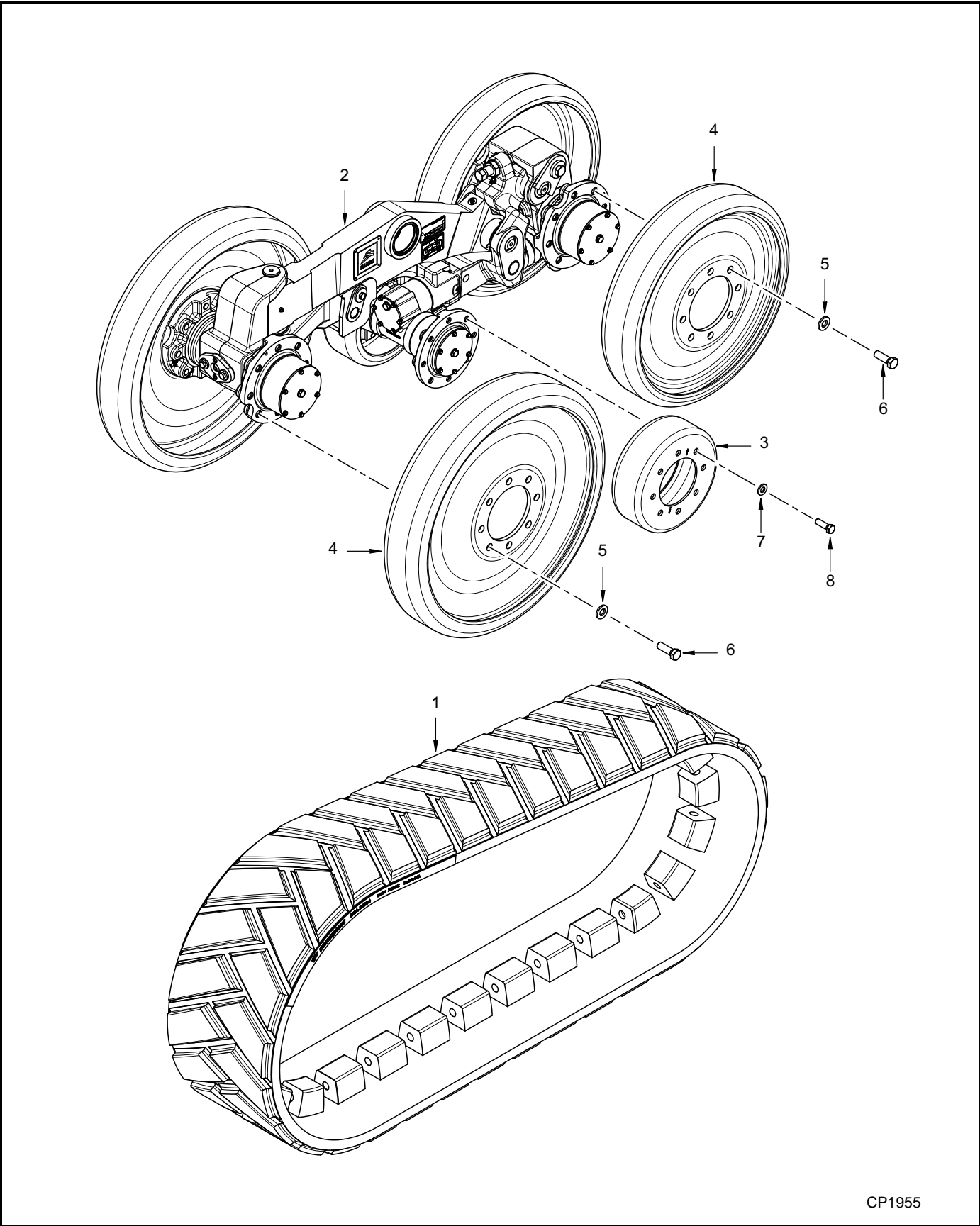
Parts Ordering Procedure

When ordering parts for your Trailed Track System (TTS), please contact an authorized TTS dealer in your area. If the parts are associated with a possible warranty claim, make sure that you contact the original dealer from which you purchased the TTS. Make sure to provide the TTS model, Serial number, Part number, Part description and quantity.

Parts List Format

TTS Series Column - This column is used to list TTS series model numbers in the event the part needs to be ordered by model. If the column is blank that part is used for all models.

Track & Undercarriage (167" Track)



CP1955

TRAILED TRACK SYSTEM 30 - 40 SERIES (SINGLE MID-ROLLER AXLE)

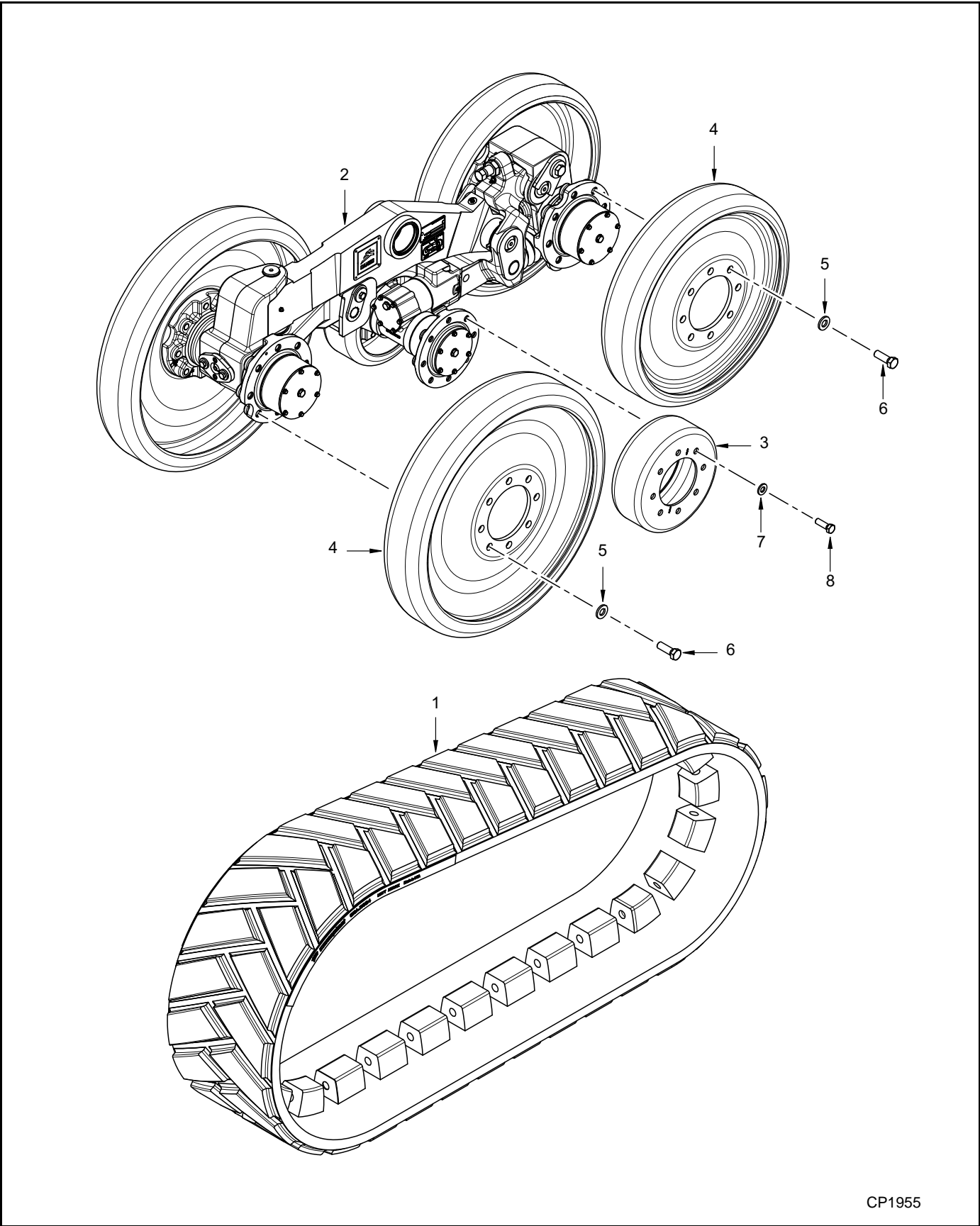
Track & Undercarriage (167" Track)

(2A-1012, 2A-1025, 2A-1049, 2A-2240 & 2A-2244)

Ref.	FN	Part Number	TTS Series	Qty.	Description
1		G16AE03105	30-1612	1	TRACK, Rubber, 167" x 16.5"
		G18AE03099	35-1813	1	TRACK, Rubber, 167" x 18"
		G20AE03066	35-2011	1	TRACK, Rubber, 167" x 20"
		G22AE03568	35-2211 35-2212	1	TRACK, Rubber, 167" x 22"
		G22AE03567	35-2511 35-2512	1	TRACK, Rubber, 167" x 25"
2		2A-1006-100	30-1612	1	UNDERCARRIAGE ASSY., See page 30-8
			35-1813	1	UNDERCARRIAGE ASSY., See page 30-8
			35-2011	1	UNDERCARRIAGE ASSY., See page 30-8
		2A-2241-100	35-2211 35-2212	1	UNDERCARRIAGE ASSY., See page 30-8
			35-2511 35-2512	1	UNDERCARRIAGE ASSY., See page 30-8
3		4W-0366-101SP	30-1612	2	WHEEL, Mid-roller, TTS Gray
				2	WHEEL, Mid-roller, John Deere Yellow
				2	WHEEL, Mid-roller, Semi-gloss Black
		4W-0340-101SP	35-1813	2	WHEEL, Mid-roller, TTS Gray
				2	WHEEL, Mid-roller, TTS Gray
		4W-0340-102SP	35-1813	2	WHEEL, Mid-roller John Deere Yellow
				2	WHEEL, Mid-roller Semi-gloss Black
		4W-0327-101SP	35-2211	2	WHEEL, Mid-roller, TTS Gray
				2	WHEEL, Mid-roller, John Deere Yellow
		4W-0327-102SP	35-2212	2	WHEEL, Mid-roller, John Deere Yellow
				2	WHEEL, Mid-roller, Semi-gloss Black
		4W-0327-103SP	35-2511	2	WHEEL, Mid-roller, Semi-gloss Black
2	WHEEL, Mid-roller, White				
4W-0327-104SP	35-2512	2	WHEEL, Mid-roller, White		
4W-0327-105SP		2	WHEEL, Mid-roller, Seed Hawk Yellow		
4		5W-0340-101SP	30-1612	4	WHEEL, Idler, Front & Rear, TTS Gray
				4	WHEEL, Idler, Front & Rear, John Deere Yellow
				4	WHEEL, Idler, Front & Rear, Semi-gloss Black
		5W-0291-101SP	35-1813	4	WHEEL, Idler, Front & Rear, TTS Gray
				4	WHEEL, Idler, Front & Rear, John Deere Yellow
		5W-0291-102SP	35-2011	4	WHEEL, Idler, Front & Rear, John Deere Yellow
				4	WHEEL, Idler, Front & Rear, Semi-gloss Black
		5W-0289-101SP	35-2211	4	WHEEL, Idler, Front & Rear, TTS Gray
				4	WHEEL, Idler, Front & Rear, John Deere Yellow
		5W-0289-102SP	35-2212	4	WHEEL, Idler, Front & Rear, John Deere Yellow
				4	WHEEL, Idler, Front & Rear, Semi-gloss Black
		5W-0289-103SP	35-2511	4	WHEEL, Idler, Front & Rear, Semi-gloss Black
4	WHEEL, Idler, Front & Rear, White				
5W-0289-104SP	35-2512	4	WHEEL, Idler, Front & Rear, White		
5W-0289-105SP		4	WHEEL, Idler, Front & Rear, Seed Hawk Yellow		

Continued on Next Page

Track & Undercarriage (167" Track)



CP1955

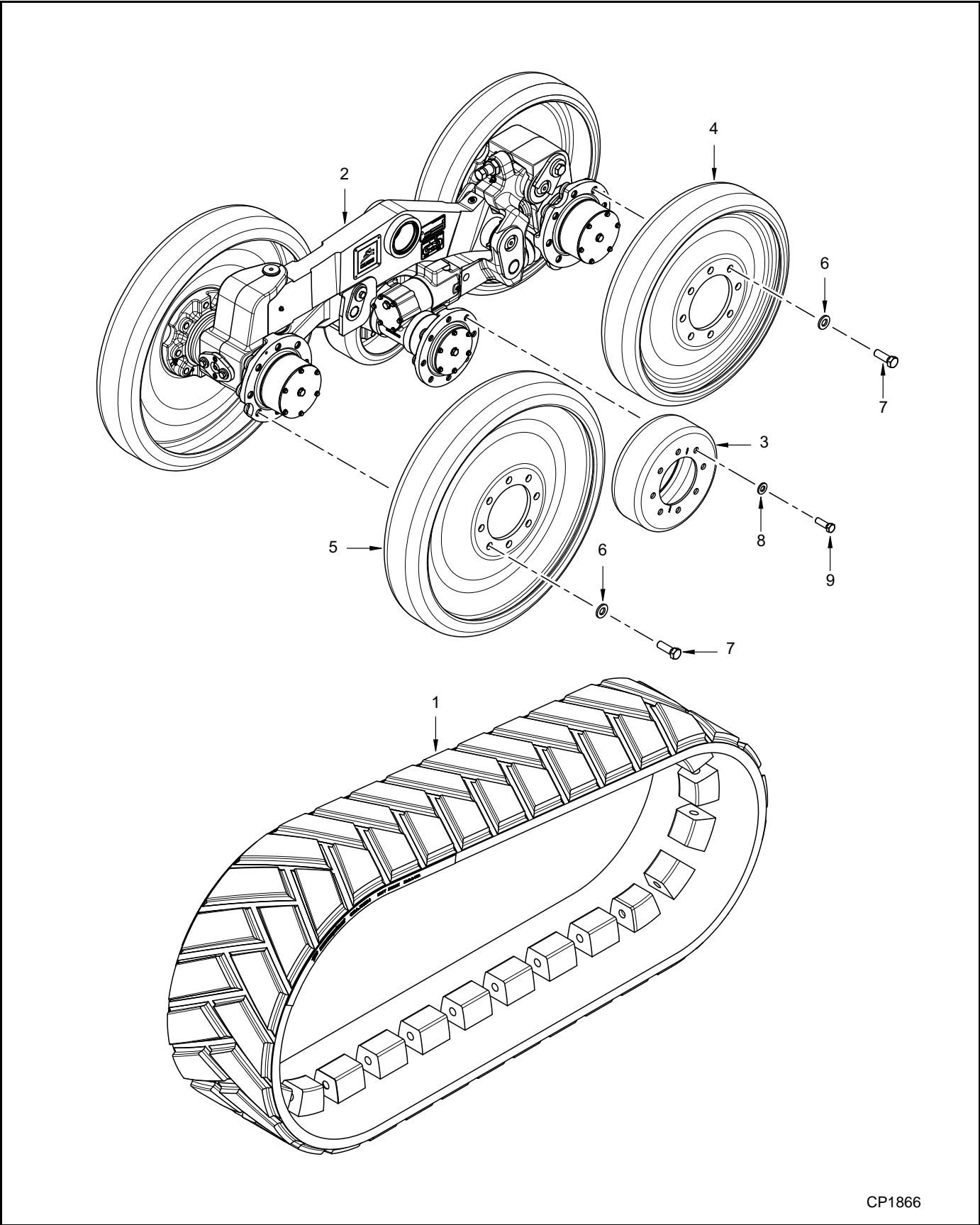
TRAILED TRACK SYSTEM 30 - 40 SERIES (SINGLE MID-ROLLER AXLE)

Track & Undercarriage (167" Track)

(2A-1012, 2A-1025, 2A-1049, 2A-2240 & 2A-2244)

Ref.	FN	Part Number	TTS Series	Qty.	Description
5		224091351		32	WASHER, Flat, 21.4 x 42 x 5 mm
6		2F-0107		32	BOLT, Hex, M20 x 60, Cl 10.9
7		2F-0065		16	WASHER, Flat, M16
8		2F-0087		16	BOLT, Hex, M16 x 50, Cl 10.9

Track & Undercarriage (187" Track)



CP1866

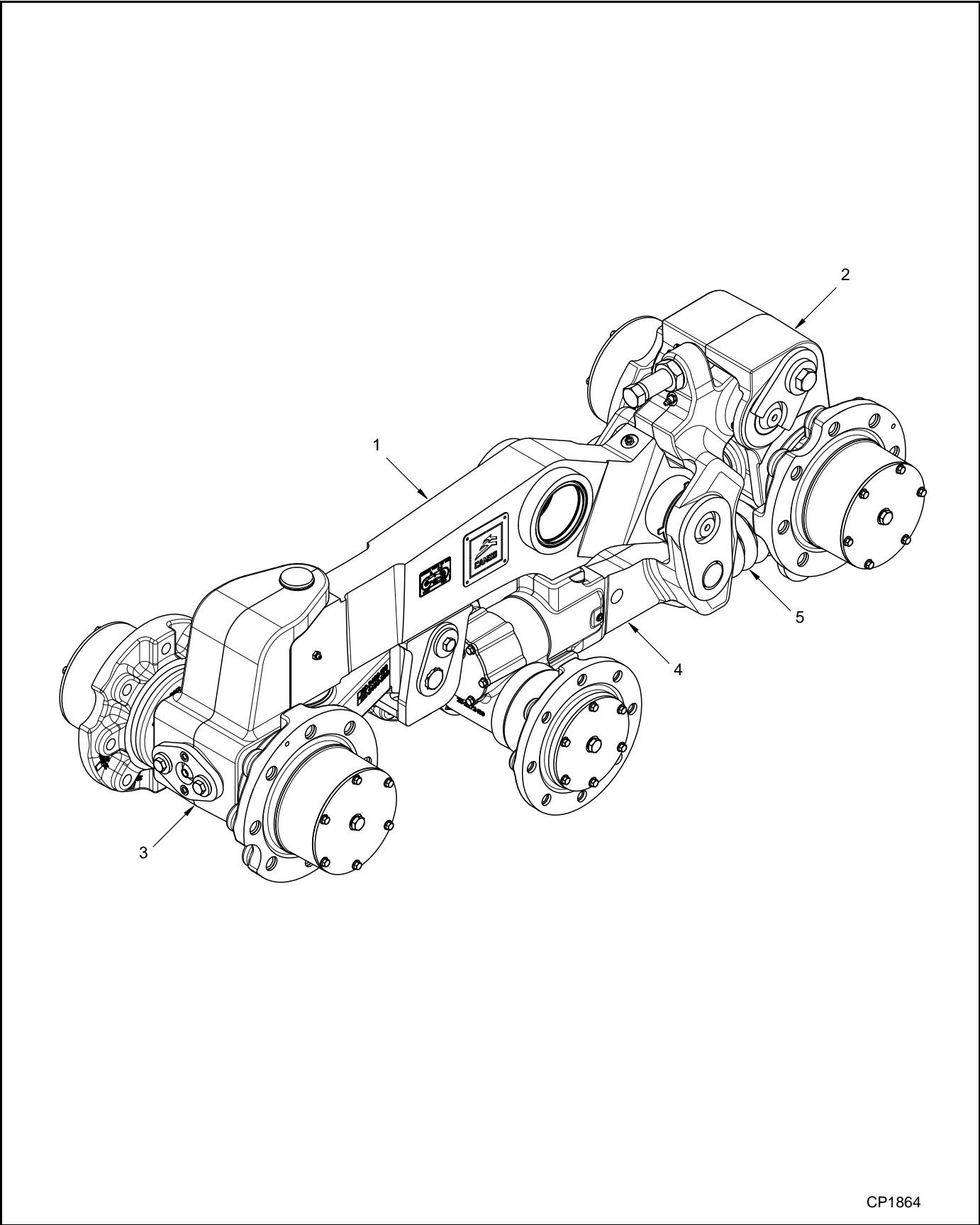
TRAILED TRACK SYSTEM 30 - 40 SERIES (SINGLE MID-ROLLER AXLE)

Track & Undercarriage
(187" Track)

(2A-1034 & 2A-2252)

Ref.	FN	Part Number	TTS Series	Qty.	Description
1		G16AJ03104	30-1611	1	TRACK, Rubber, 187" x 16.5"
		G25AJ03512	40-2512	1	TRACK, Rubber, 187" x 25"
			40-2513	1	TRACK, Rubber, 187" x 25"
2		2A-1035-100	30-1611	1	UNDERCARRIAGE ASSY., See page 30-8
		2A-2253-100	40-2512	1	UNDERCARRIAGE ASSY., See page 30-8
			40-2513		
3		4W-0366-101SP	30-1611	2	WHEEL, Mid-roller, TTS Gray
		4W-0366-102SP		2	WHEEL, Mid-roller, John Deere Yellow
		4W-0366-103SP		2	WHEEL, Mid-roller, TTS Semi-gloss Black
		4W-0327-101SP	40-2512 40-2513	2	WHEEL, Mid-roller, TTS Gray
		4W-0327-102SP		2	WHEEL, Mid-roller, John Deere Yellow
		4W-0327-103SP		2	WHEEL, Mid-roller, Semi-gloss Black
		4W-0327-104SP		2	WHEEL, Mid-roller, White
		4W-0327-105SP		2	WHEEL, Mid-roller, Seed Hawk Yellow
4		5W-0340-101SP	30-1611	2	WHEEL, Idler, Rear, TTS Gray
		5W-0340-102SP		2	WHEEL, Idler, Rear, John Deere Yellow
		5W-0340-103SP		2	WHEEL, Idler, Rear, Semi-gloss Black
		5W-0289-101SP	40-2512 40-2513	2	WHEEL, Idler, Rear, TTS Gray
		5W-0289-102SP		2	WHEEL, Idler, Rear, John Deere Yellow
		5W-0289-103SP		2	WHEEL, Idler, Rear, Semi-gloss Black
		5W-0289-104SP		2	WHEEL, Idler, Rear, SBL White
		5W-0289-105SP		2	WHEEL, Idler, Rear, Seed Hawk Yellow
5		5W-0342-101SP	30-1611	2	WHEEL, Idler, Front, TTS Gray
		5W-0342-102SP		2	WHEEL, Idler, Front, John Deere Yellow
		5W-0342-103SP		2	WHEEL, Idler, Front, Semi-gloss Black
		5W-0281-101SP	40-2512 40-2513	2	WHEEL, Idler, Front, TTS Gray
		5W-0281-102SP		2	WHEEL, Idler, Front, SBL Gray
		5W-0281-103SP		2	WHEEL, Idler, Front, Semi-gloss Black
		5W-0281-104SP		2	WHEEL, Idler, Front, Seed Hawk White
		5W-0281-105SP		2	WHEEL, Idler, Front, Seed Hawk Yellow
6		224091351		32	WASHER, Flat, 21.4 x 42 x 5 mm
7		2F-0107		32	BOLT, Hex, M20 x 60, CI 10.9
8		2F-0065		16	WASHER, Flat, M16
9		2F-0087		16	BOLT, Hex, M16 x 50, CI 10.9

Undercarriage Assembly



CP1864

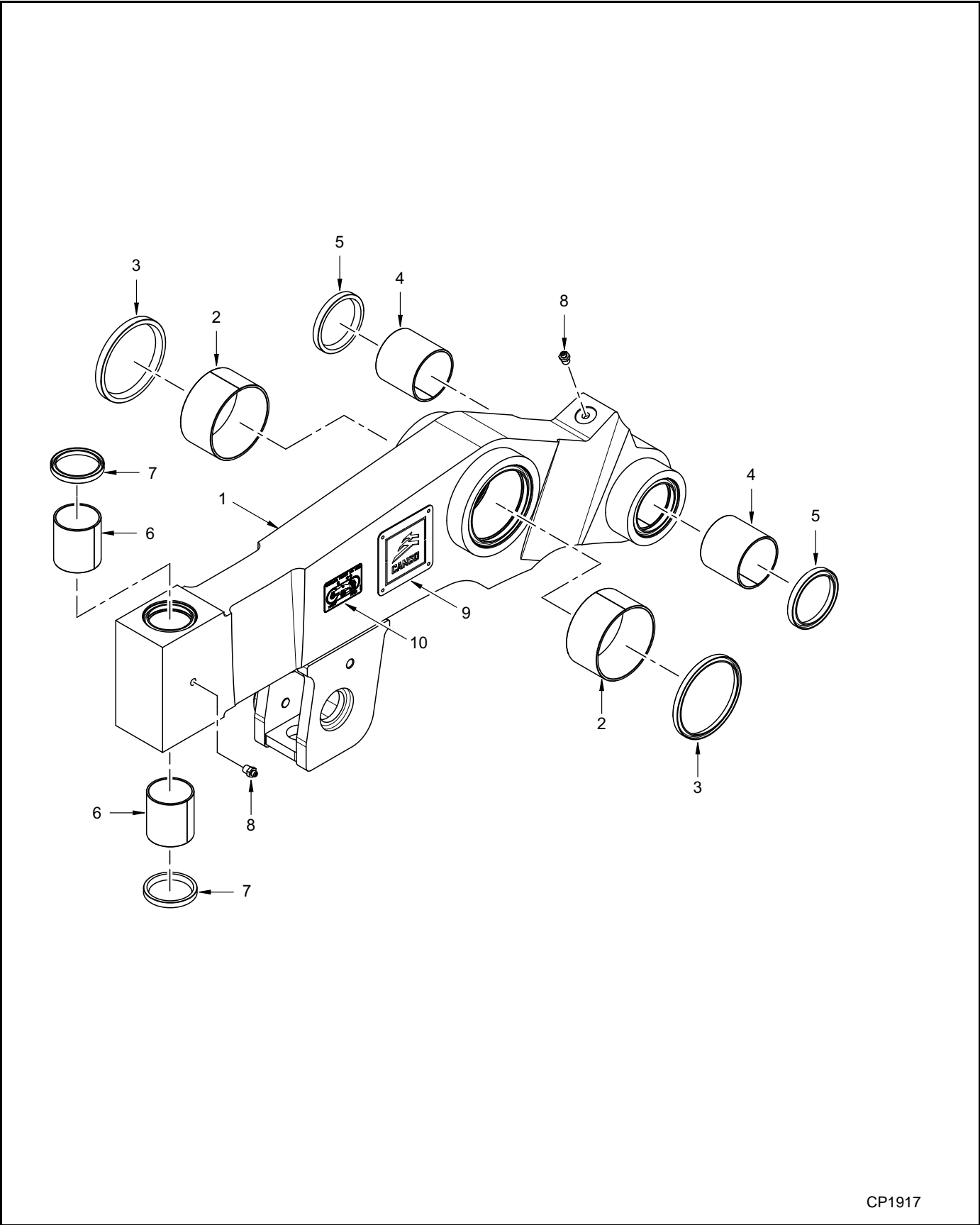
TRAILED TRACK SYSTEM 30 - 40 SERIES (SINGLE MID-ROLLER AXLE)

Undercarriage Assembly

(2A-1035, 2A-1006, 2A-2241, 2A-2253)

Ref.	FN	Part Number	TTS Series	Qty.	Description
		2A-1035	30-1611	1	UNDERCARRIAGE ASSY., Includes items 1 - 5
		2A-1006	30-1612	1	UNDERCARRIAGE ASSY., Includes items 1 - 5
			35-1813	1	UNDERCARRIAGE ASSY., Includes items 1 - 5
			35-2011	1	UNDERCARRIAGE ASSY., Includes items 1 - 5
		2A-2241	35-2211	1	UNDERCARRIAGE ASSY., Includes items 1 - 5
			35-2212		
				35-2511 35-2512	1
		2A-2253	40-2512	1	UNDERCARRIAGE ASSY., Includes items 1 - 5
			40-2513		
1		REF		1	FRAME ASSY., See page 30-10
2		REF		1	TENSION LINK ASSY., See page 30-12
3		REF		1	ALIGNMENT ASSY., See page 30-18
4		REF	30-1611	1	BOGIE ASSY., Mid-roller, See page 30-20
		REF	30-1612	1	BOGIE ASSY., Mid-roller, See page 30-20
		REF	35-1813	1	BOGIE ASSY., Mid-roller, See page 30-20
		REF	35-2011	1	BOGIE ASSY., Mid-roller, See page 30-20
		REF	35-2211 35-2212	1	BOGIE ASSY., Mid-roller, See page 30-22
		REF	35-2511 35-2512	1	BOGIE ASSY., Mid-roller, See page 30-22
		REF	40-2512 40-2513	1	BOGIE ASSY., Mid-roller, See page 30-22
5		REF		1	SPRING, Tensioner, See page 30-14

Frame Assembly



CP1917

TRAILED TRACK SYSTEM 30 - 40 SERIES (SINGLE MID-ROLLER AXLE)

Frame Assembly

(2A-1036, 2A-1002)

Ref.	FN	Part Number	TTS Series	Qty.	Description	
1		2A-1036-101SP	30-1611	1	FRAME, Main, Includes items 2 - 8	
			40-2512 40-2513	1	FRAME, Main, Includes items 2 - 8	
			2A-1002-101SP	30-1612	1	FRAME, Main, Includes items 2 - 8
	35-1813	1		FRAME, Main, Includes items 2 - 8		
	35-2011	1		FRAME, Main, Includes items 2 - 8		
	35-2211 35-2212	1		FRAME, Main, Includes items 2 - 8		
	35-2511 35-2512	1		FRAME, Main, Includes items 2 - 8		
	2		2B-0135		2	BUSHING, 90 x 95 x 50 mm
	3		2J-0144		2	SEAL, Scraper, 90 x 104 x 8 mm
	4		2B-0117		2	BUSHING, 60 x 65 x 60 mm
5		2J-0117		2	SEAL, Scraper, 60 x 74 x 8 mm	
6		2B-0118		2	BUSHING, 50 x 55 x 60 mm	
7		2J-0116		2	SEAL, Scraper, 50 x 62 x 7 mm	
8		2H-0060		2	FITTING, Grease, 1/18"- 27 PTF	
9		2M-0179-100		1	PLATE, Branding, Camso	
10		2M-0159-100		1	DECAL, Greasing Points, 60 x 90mm	

TRAILED TRACK SYSTEM 30 - 40 SERIES (SINGLE MID-ROLLER AXLE)

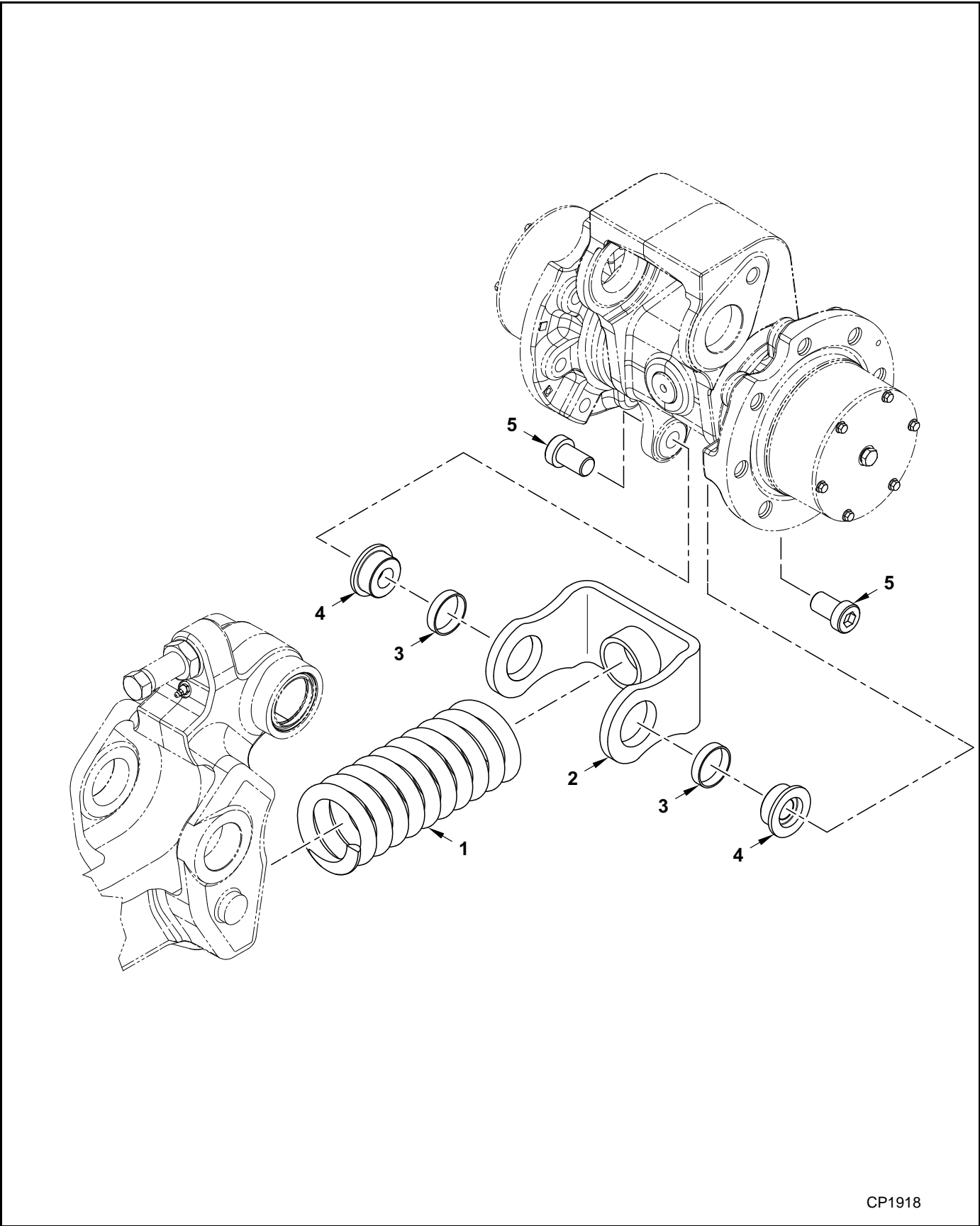
Tension Link Assembly

(2A-1006, 2A-1011, 2A-1035, 2A-2241, 2A-2253)

Ref.	FN	Part Number	TTS Series	Qty.	Description
1		2S-0487-000SP		1	PIN, Tension
2		2F-0323		1	BOLT, Hex, M20 x 50, CI 10.9
3		2C-2024-100		1	SPACER, Flanged, M20
		2A-1011-101SP		2	LINK ASSY., Tension, Includes items 4 - 15
4		NSS		2	HUB, Idler, See page 30-24
5	1	2J-0026		2	SEAL, Mechanical Face, 127 mm ID
6		2C-2489-101SP		1	LINK, Tension
7		2A-1115-100SP		1	AXLE ASSY., Idler, Includes items 8 - 10
8		2C-2488-100SP		1	AXLE, Idler
9		2B-0147		1	BUSHING, Axle, 40 x 45 x 60 mm
10		2J-0161		2	SEAL, Scraper, 40 x 50 x 7 mm
11		2C-2491-100		1	PAD, Wear
12		2C-2012-100SP		2	SEAL, Retainer, Idler
13		2S-0488-000SP		1	PIN, Oscillation, 40 mm
14		2C-2512-101SP		2	SPACER, Flanged, 22.2 OD x 12.7 ID mm
15		2F-0423		2	BOLT, Hex, M12 x 40, CI 10.9
16		2C-2032-100		2	WASHER, Thrust, 60 mm

1 - For Special Tooling use p/n 2P-0019-100 Seal Installation Tool available from Camso.

Tensioner Spring



CP1918

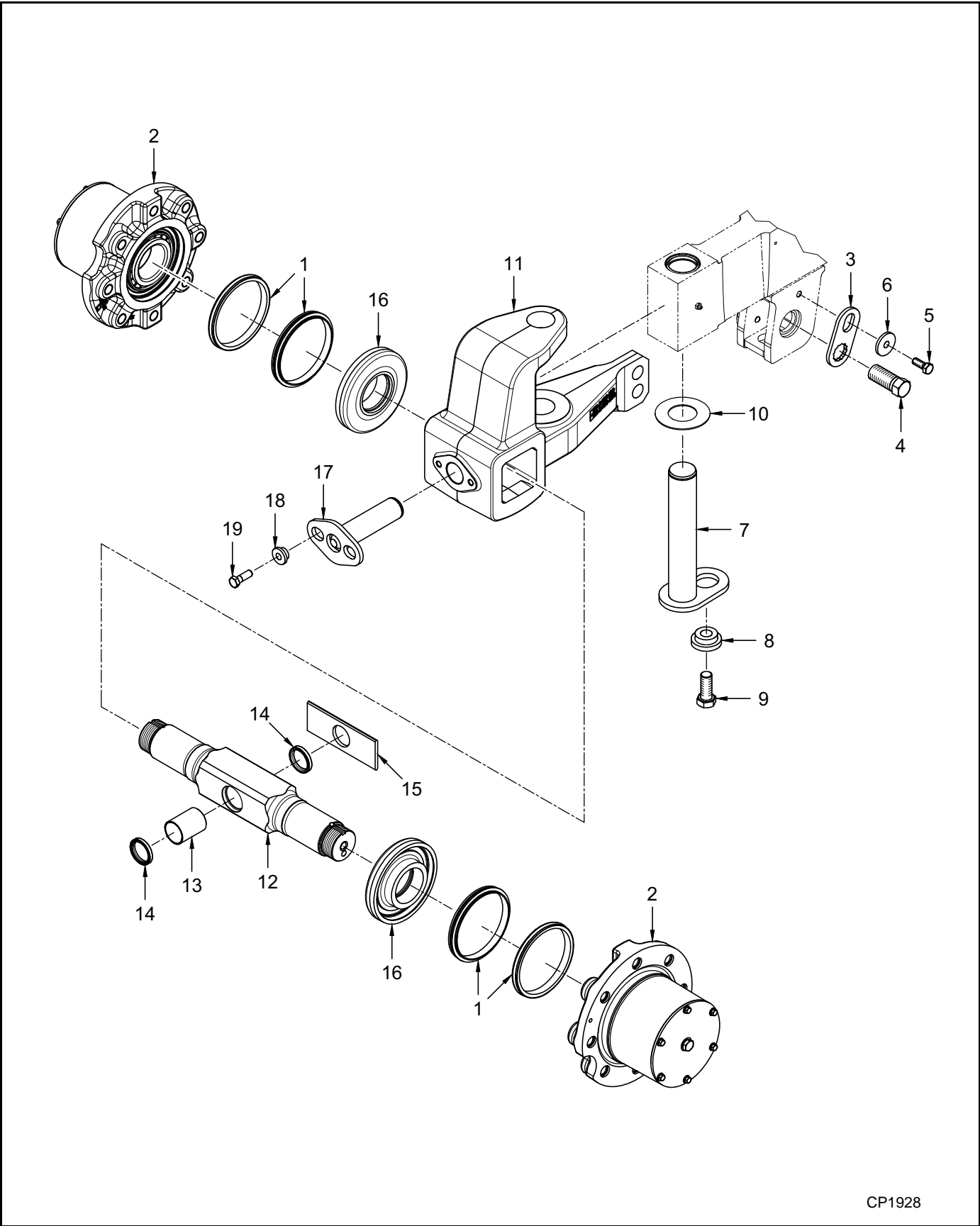
TRAILED TRACK SYSTEM 30 - 40 SERIES (SINGLE MID-ROLLER AXLE)

Tensioner Spring

(2A-1110, 2A-1035, 2A-1006, 2A-2241 & 2A-2253)

Ref.	FN	Part Number	TTS Series	Qty.	Description
1		2M-0171-001SP		1	SPRING, Tension
		2A-1110-100SP		1	SEAT ASSY., Spring, Includes items 2 & 3
2		2S-0483-001SP		1	SEAT, Spring
3		2B-0134		2	RING, Wear
4		2C-2511-100		2	BUSHING, Flanged
5		2F-0321		2	BOLT, Hex, M24 x 40, Cl 10.9

Alignment Assembly



CP1928

TRAILED TRACK SYSTEM 30 - 40 SERIES (SINGLE MID-ROLLER AXLE)

Alignment Assembly

(2A-1037, 2A-1009, 2A-1035, 2A-1006, 2A-2241 & 2A-2253)

Ref.	FN	Part Number	TTS Series	Qty.	Description	
		2A-1037-101SP	30-1611	1	ALIGNMENT ASSY., Lever, Includes items 1, 2 & 11 - 19	
			40-2512	1	ALIGNMENT ASSY., Lever, Includes items 1, 2 & 11 - 19	
			40-2513	1	ALIGNMENT ASSY., Lever, Includes items 1, 2 & 11 - 19	
			2A-1009-101SP	30-1612	1	ALIGNMENT ASSY., Lever, Includes items 1, 2 & 11 - 19
				35-1813	1	ALIGNMENT ASSY., Lever, Includes items 1, 2 & 11 - 19
				35-2011	1	ALIGNMENT ASSY., Lever, Includes items 1, 2 & 11 - 19
				35-2211	1	ALIGNMENT ASSY., Lever, Includes items 1, 2 & 11 - 19
				35-2212	1	ALIGNMENT ASSY., Lever, Includes items 1, 2 & 11 - 19
				35-2511	1	ALIGNMENT ASSY., Lever, Includes items 1, 2 & 11 - 19
				35-2512	1	ALIGNMENT ASSY., Lever, Includes items 1, 2 & 11 - 19
		2A-1038-101SP	30-1611	1	LEVER ASSY., Alignment, Long, Includes items 11 - 19	
			40-2512	1	LEVER ASSY., Alignment, Long, Includes items 11 - 19	
			40-2513	1	LEVER ASSY., Alignment, Long, Includes items 11 - 19	
			2A-1008-101SP	30-1612	1	LEVER ASSY., Alignment, Short, Includes items 11 -19
				35-1813	1	LEVER ASSY., Alignment, Short, Includes items 11 -19
				35-2011	1	LEVER ASSY., Alignment, Short, Includes items 11 -19
				35-2211	1	LEVER ASSY., Alignment, Short, Includes items 11 -19
				35-2212	1	LEVER ASSY., Alignment, Short, Includes items 11 -19
				35-2511	1	LEVER ASSY., Alignment, Short, Includes items 11 -19
				35-2512	1	LEVER ASSY., Alignment, Short, Includes items 11 -19
	1	1	2J-0026		2	SEAL, Mechanical Face, 127 mm ID
	2		NSS		2	HUB, Idler, See page 30-24
	3		2C-2282-100		2	PLATE, Lock
	4		2C-2800-100		2	SCREW, Set, Special, 1-1/8" x 65 mm
5		2F-0019		2	BOLT, Hex, M12 x 25, CI 10.9	
6		2C-0008		2	SPACER, Flanged	
7		2S-0352-000		1	PIN, Mounting, M50	
8		2C-2024		1	SPACER, Flanged	
9		2F-0323		1	BOLT, Hex, M20 x 50, CI 10.9	
10		2C-2023-100		1	WASHER, Thrust, 50 mm	

1 - For Special Tooling use p/n 2P-0019-100 Seal Installation Tool available from Camso.

Continued on Next Page

TRAILED TRACK SYSTEM 30 - 40 SERIES (SINGLE MID-ROLLER AXLE)

Alignment Assembly

(2A-1037, 2A-1009, 2A-1035, 2A-1006, 2A-2241 & 2A-2253)

Ref.	FN	Part Number	TTS Series	Qty.	Description
11		2C-2499-100	30-1612	1	LEVER, Short
			35-1813	1	LEVER, Short
			35-2011	1	LEVER, Short
			35-2211	1	LEVER, Short
			35-2212	1	LEVER, Short
			35-2511	1	LEVER, Short
			35-2512	1	LEVER, Short
		2C-2499-200	30-1611	1	LEVER, Long
			40-2512	1	LEVER, Long
			40-2513	1	LEVER, Long
		2A-1115-100SP		1	AXLE ASSY., Idler, Includes items 12 - 14
12		2C-2488-101SP		1	AXLE, Idler
13		2B-0147		1	BUSHING, Axle, 40 x 45 x 60 mm
14		2J-0161		1	SEAL, Scraper, 40 x 50 x 7 mm
15		2C-2491-100		1	PAD, Wear
16		2C-2012-101SP		2	SEAL, Retainer, Idler
17	2	2S-0488-000SP		1	PIN, Oscillation, 40 mm
18	2	2C-2512-101SP		2	SPACER, Flanged, 22.2 OD x 12.7 ID mm
19	2	2F-0423		2	BOLT, Hex, M12 x 35, Cl 10.9

2 - Hardware is not plated and requires a coat of medium gloss paint after installation or exposed surfaces will rust.

TRAILED TRACK SYSTEM 30 - 40 SERIES (SINGLE MID-ROLLER AXLE)

Bogie Assembly - Mid-roller (30-1611, 30-1612, 35-1813 & 35-2011)

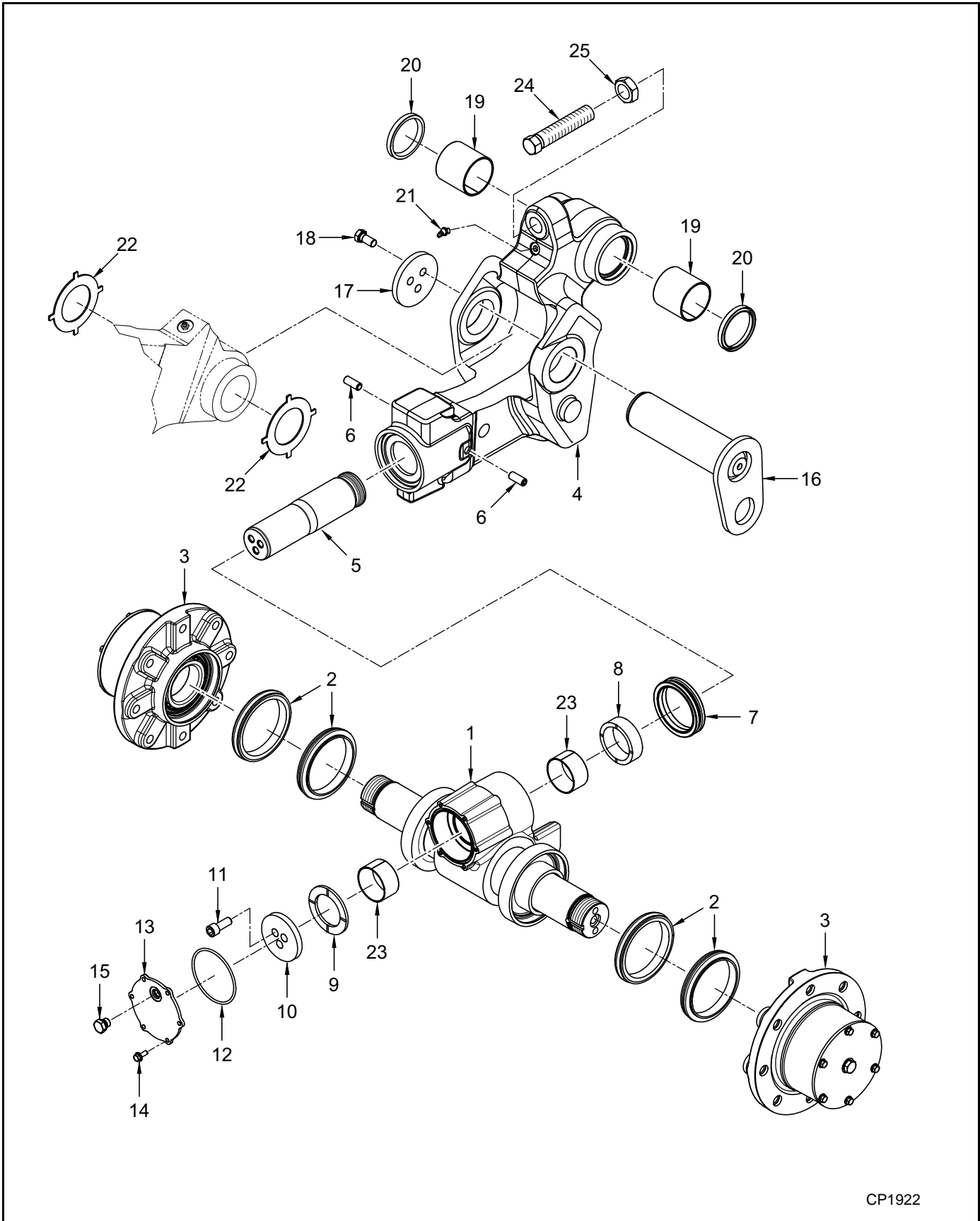
(2A-1035, 2A-1006, 2A-1022 & 2A-1005)

Ref.	FN	Part Number	TTS Series	Qty.	Description
		2A-1022-101	30-1611	1	TENSION LINK TANDEM GP., Mid-roller, Includes items 1 - 15, 19 - 21 & 23
			30-1612	1	TENSION LINK TANDEM GP., Mid-roller, Includes items 1 - 15, 19 - 21 & 23
			35-1813	1	TENSION LINK TANDEM GP., Mid-roller, Includes items 1 - 15, 19 - 21 & 23
			35-2011	1	TENSION LINK TANDEM GP., Mid-roller, Includes items 1 - 15, 19 - 21 & 23
		2A-1005-101SP	30-1611	1	BOGIE ASSY., Mid-roller, Includes items 1 - 3 & 23
			30-1612	1	BOGIE ASSY., Mid-roller, Includes items 1 - 3 & 23
			35-1813	1	BOGIE ASSY., Mid-roller, Includes items 1 - 3 & 23
			35-2011	1	BOGIE ASSY., Mid-roller, Includes items 1 - 3 & 23
1		2A-1004-101SP		1	AXLE, Mid-roller, Short
2	1	2J-0017		2	SEAL, Mechanical Face
3		NSS		2	HUB ASSY., Mid-roller, Narrow, See page 30-26
4		2A-1003-101SP		2	TL TANDEM ASSY., Includes items 5 & 6
5		NSS		1	PIN
6		NSS		2	SCREW, Set, Hex Soc., M12 x 30
7		2J-0087		1	SEAL, Mechanical Face, 76 mm 1D
8		2C-1308		1	RING, Thrust
9		2C-0223		1	RING, Thrust
10		2C-2275-100		2	PLATE, End
11		2F-0255		3	BOLT, Hex, M12 x 30, CI 12.9
12		2J-0077		1	O-RING
13		2C-2368-101SP		1	COVER, Mid-roller Hub
14		761301665		6	BOLT, Flanged Hex, M6 x 16, CI 10.9
15		108609500		1	PLUG
16		2S-0435-000SP		1	PIN, Mounting, 60 mm
17		2C-2280-100		1	PLATE, End
18		2F-0019		3	BOLT, Hex, M12 x 25, CI 10.9
19		2B-0117		2	BUSHING, 60 x 65 x 60 mm
20		2J-0117		2	SEAL, Mechanical Face, 60 x 74 x 8 mm
21		2H-0060		1	FITTING, Grease, 1-1/8" - 27 PTF Short
22		2C-2032-100		2	WASHER, Thrust, 60 mm
23		105607014		2	BUSHING, 55 x 30 mm
24		2F-0189		1	SCREW, Set, 1-1/8" - 112 mm
25	2	3F-0116		1	NUT, Jam, 1-1/8" - 112 mm

1 - For Special Tooling use p/n 2P-0020-100 Seal Installation Tool available from Camso.

2 - For Special Tooling use p/n 2P-0205-100 TTS Tensioning Spring Socket available from Camso.

Bogie Assembly - Mid-roller



CP1922

TRAILED TRACK SYSTEM 30 - 40 SERIES (SINGLE MID-ROLLER AXLE)

Bogie Assembly - Mid-roller (35-2211, 35-2212, 35-2511, 35-2512, 40-2512, & 40-2513)

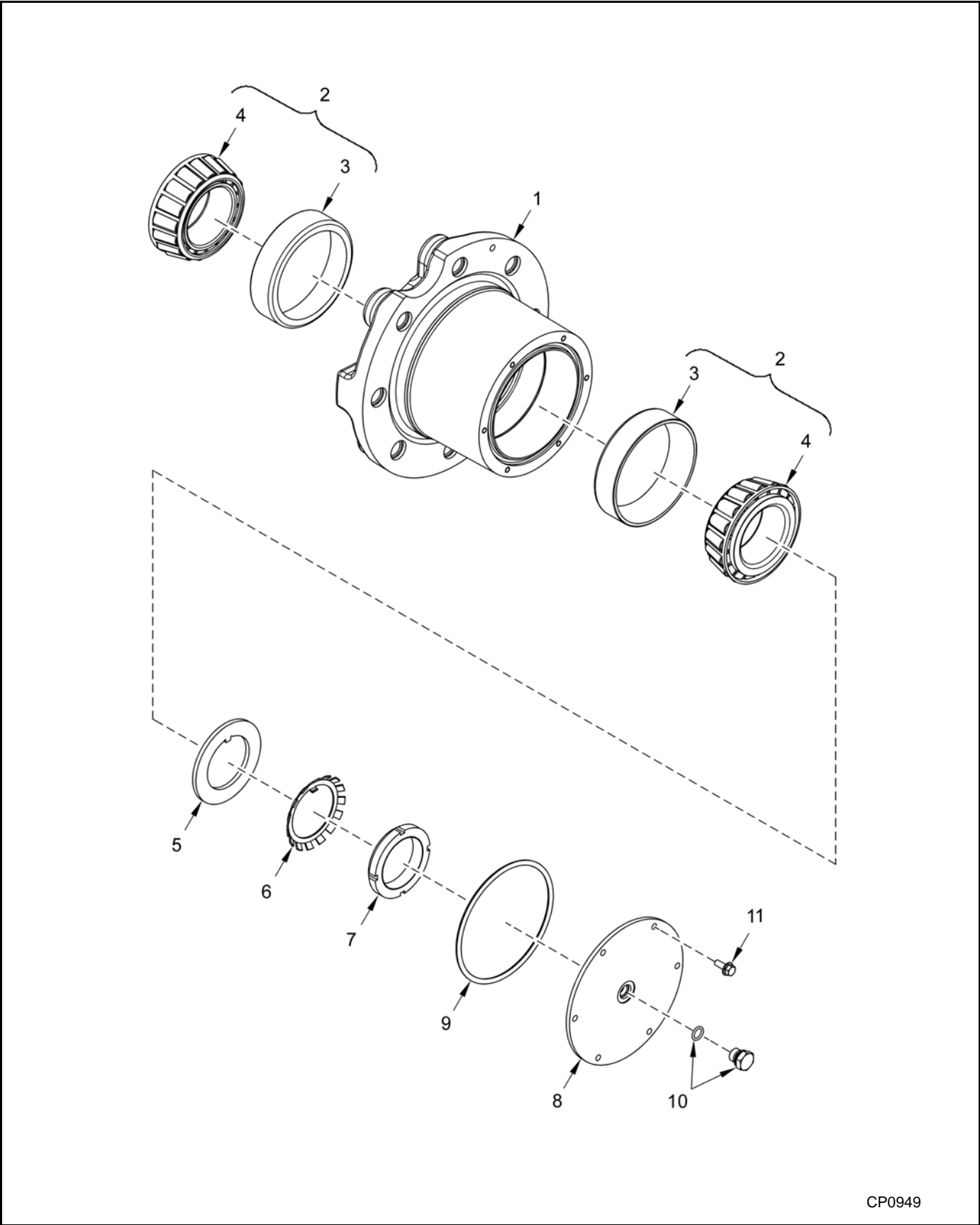
(2A-2243, 2A-2257, 2A-2241 & 2A-2253)

Ref.	FN	Part Number	TTS Series	Qty.	Description
		2A-2557-100SP	35-2211	1	TENSION LINK GROUP., Mid-roller, Includes items 1 - 15, 19 - 21 & 23
			35-2212	1	TENSION LINK GROUP., Mid-roller, Includes items 1 - 15, 19 - 21 & 23
			35-2511	1	TENSION LINK GROUP., Mid-roller, Includes items 1 - 15, 19 - 21 & 23
			35-2512	1	TENSION LINK GROUP., Mid-roller, Includes items 1 - 15, 19 - 21 & 23
			40-2512	1	TENSION LINK GROUP., Mid-roller, Includes items 1 - 15, 19 - 21 & 23
			40-2513	1	TENSION LINK GROUP., Mid-roller, Includes items 1 - 15, 19 - 21 & 23
		2A-2243-101SP	35-2211	1	BOGIE ASSY., Mid-roller, Includes items 1 - 3 & 23
			35-2212	1	BOGIE ASSY., Mid-roller, Includes items 1 - 3 & 23
			35-2511	1	BOGIE ASSY., Mid-roller, Includes items 1 - 3 & 23
			35-2512	1	BOGIE ASSY., Mid-roller, Includes items 1 - 3 & 23
			40-2512	1	BOGIE ASSY., Mid-roller, Includes items 1 - 3 & 23
			40-2513	1	BOGIE ASSY., Mid-roller, Includes items 1 - 3 & 23
1		2A-1055-101SP		1	AXLE, Mid-roller, Long
2	1	2J-0213		2	SEAL, Mechanical Face, Hi Temp
3		NSS		2	HUB ASSY., Mid-roller, Wide, See page 30-28
4		2A-1003-101SP		1	TL TANDEM ASSY., Includes items 5 & 6
5		NSS		1	PIN
6		NSS		2	SCREW, Set, Hex Soc., M12 x 30
7		2J-0087		1	SEAL, Mechanical Face, 76 mm 1D
8		2C-1308		1	RING, Thrust
9		2C-0223		1	RING, Thrust
10		2C-2275-100		1	PLATE, End
11		2F-0255		3	BOLT, Hex, M12 x 30, CI 12.9
12		2J-0077		1	O-RING
13		2C-2368-101SP		1	COVER, Mid-roller Hub
14		761301665		6	BOLT, Flanged Hex, M6 x 16, CI 10.9
15		108609500		1	PLUG
16		2S-0435-000SP		1	PIN, Mounting, 60 mm
17		2C-2280-100		1	PLATE, End
18		2F-0019		3	BOLT, Hex, M12 x 25, CI 10.9
19		2B-0117		2	BUSHING, 60 x 65 x 60 mm
20		2J-0117		2	SEAL, Mechanical Face, 60 x 74 x 8 mm
21		2H-0060		1	FITTING, Grease, 1 - 1/8" - 27 PTF Short
22		2C-2032-100		2	WASHER, Thrust, 60 mm
23		105607014		2	BUSHING, 55 x 30 mm
24		2F-0189		1	SCREW, Set, 1-1/8" - 112 mm
25	2	3F-0116		1	NUT, Jam, 1-1/8" - 12, Gr. A

1 - For Special Tooling use p/n 2P-0020-100 Seal Installation Tool available from Camso.

2 - For Special Tooling use p/n 2P-0205-100 TTS Tensioning Spring Socket available from Camso.

Hub - Idler



CP0949

TRAILED TRACK SYSTEM 30 - 40 SERIES (SINGLE MID-ROLLER AXLE)

Hub - Idler

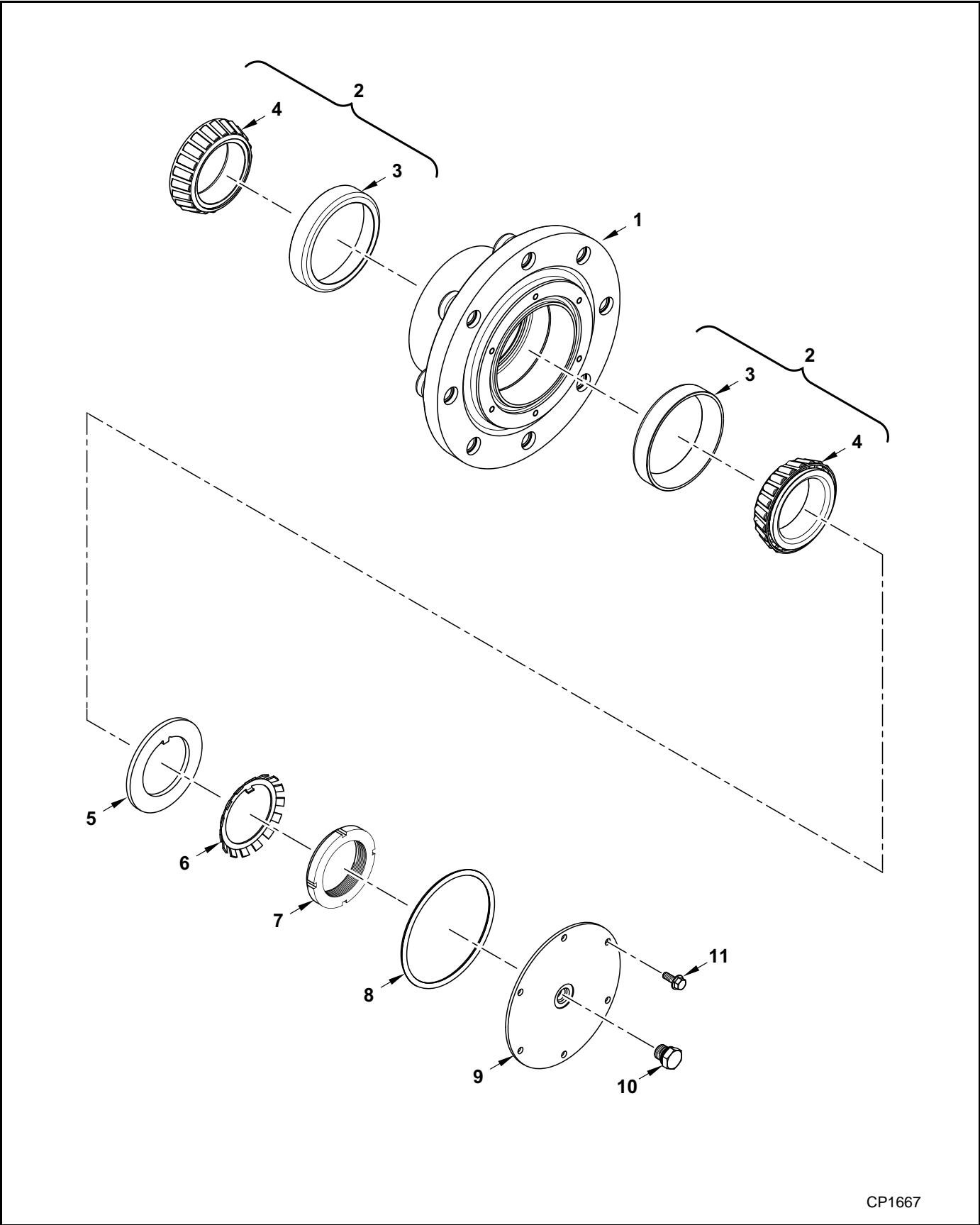
(2A-1011, 2A-1037 & 2A-1009)

Ref.	FN	Part Number	TTS Series	Qty.	Description
1		2C-2013-201SP		1	HUB, Idler
2		2A-1067-100		2	BEARING SERVICE SET, Idler, Includes items 3 & 4
3		NSS		1	BEARING, Roller, Cup (2B-0032)
4		NSS		1	BEARING, Roller Cone (2B-0120)
5		674012700		1	WASHER, Tongue
6	2	105023916		1	WASHER, Lock
7	1	105023915		1	NUT, Lock
8		2C-0196-101SP		1	COVER, Idler Hub
9		2J-0023		1	O-RING
10		108609500		1	PLUG, Hex, M14
11		761301665		6	BOLT, Hex Fig., M6 x 16, CI 10.9

1 - For Special Tooling use p/n 2P-0021-100 Bearing Locknut Socket available from Camso.

2 - For Special Tooling use p/n 2P-0180-100 Lock Washer Tab Bender available from Camso.

Hub - Mid-roller, Narrow



CP1667

TRAILED TRACK SYSTEM 30 - 40 SERIES (SINGLE MID-ROLLER AXLE)

**Hub - Mid-roller, Narrow
(30-1611, 30-1612, 35-1813 & 35-2011)**

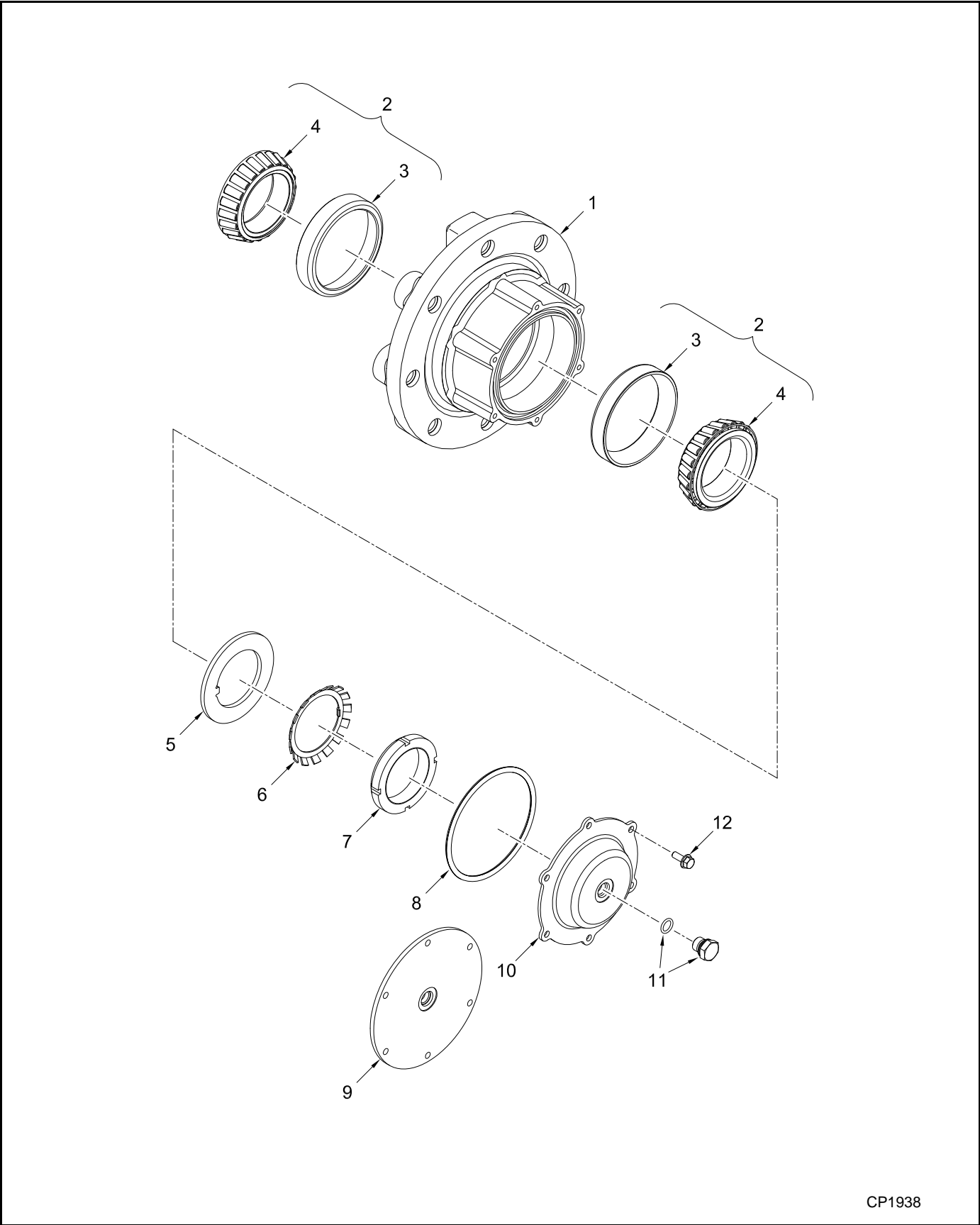
(2A-1005-101SP)

Ref.	FN	Part Number	TTS Series	Qty.	Description
1		2C-2266-101SP	30-1611	1	HUB, Mid-roller, Narrow
			30-1612	1	HUB, Mid-roller, Narrow
			30-2011	1	HUB, Mid-roller, Narrow
			35-1813	1	HUB, Mid-roller, Narrow
2		2A-1329-100SP		2	BEARING SERVICE SET, Mid-roller, Includes items 3 & 4
3		NSS		1	BEARING, Roller, Cup (2B-0157)
4		NSS		1	BEARING, Roller Cone (2B-0158)
5		674012700		1	WASHER, Tongue
6	2	105023916		1	WASHER, Lock
7	1	105023915		1	NUT, Lock
8		106023515		1	O-RING
9		2C-2679-101SP		1	COVER, Mid-roller Hub
10		108609500		1	PLUG
11		761301665		6	BOLT, Hex Flg., M6 x 16, Cl 10.9

1 - For Special Tooling use p/n 2P-0021-100 Bearing Locknut Socket available from Camso.

2 - For Special Tooling use p/n 2P-0180-100 Lock Washer Tab Bender available from Camso.

Hub - Mid-roller, Wide



CP1938

TRAILED TRACK SYSTEM 30 - 40 SERIES (SINGLE BOGIE MID-ROLLER AXLE)

Hub - Mid-roller, Wide
(35-2211, 35-2212, 35-2511, 35-2512, 40-2512 & 40-2513)

(2A-2243)

Ref.	FN	Part Number	TTS Series	Qty.	Description
1	3	2C-4798-101SP	35-2211	1	HUB, Mid-roller, Wide
			35-2212	1	HUB, Mid-roller, Wide
			35-2511	1	HUB, Mid-roller, Wide
			35-2512	1	HUB, Mid-roller, Wide
			40-2512	1	HUB, Mid-roller, Wide
			40-2513	1	HUB, Mid-roller, Wide
2		2A-1066-100SP		2	BEARING SERVICE SET, Mid-roller, Includes items 3 & 4
3		NSS		1	BEARING, Roller, Cup (2B-0157)
4		NSS		1	BEARING, Roller Cone (2B-0161)
5		674012700		1	WASHER, Tongue
6	2	105023916		1	WASHER, Lock
7	1	105023915		1	NUT, Lock
8		106023515		1	O-RING
9	4	2C-2679-101SP		1	COVER, Idler Hub, Flat
10	5	2C-4229-101SP		1	COVER, Idler Hub, Formed
11		108609500		1	PLUG, Hex, M14
12		761301665		6	BOLT, Hex Flg., M6 x 16, CI 10.9

1 - For Special Tooling use p/n 2P-0021-100 Bearing Locknut Socket available from Camso.

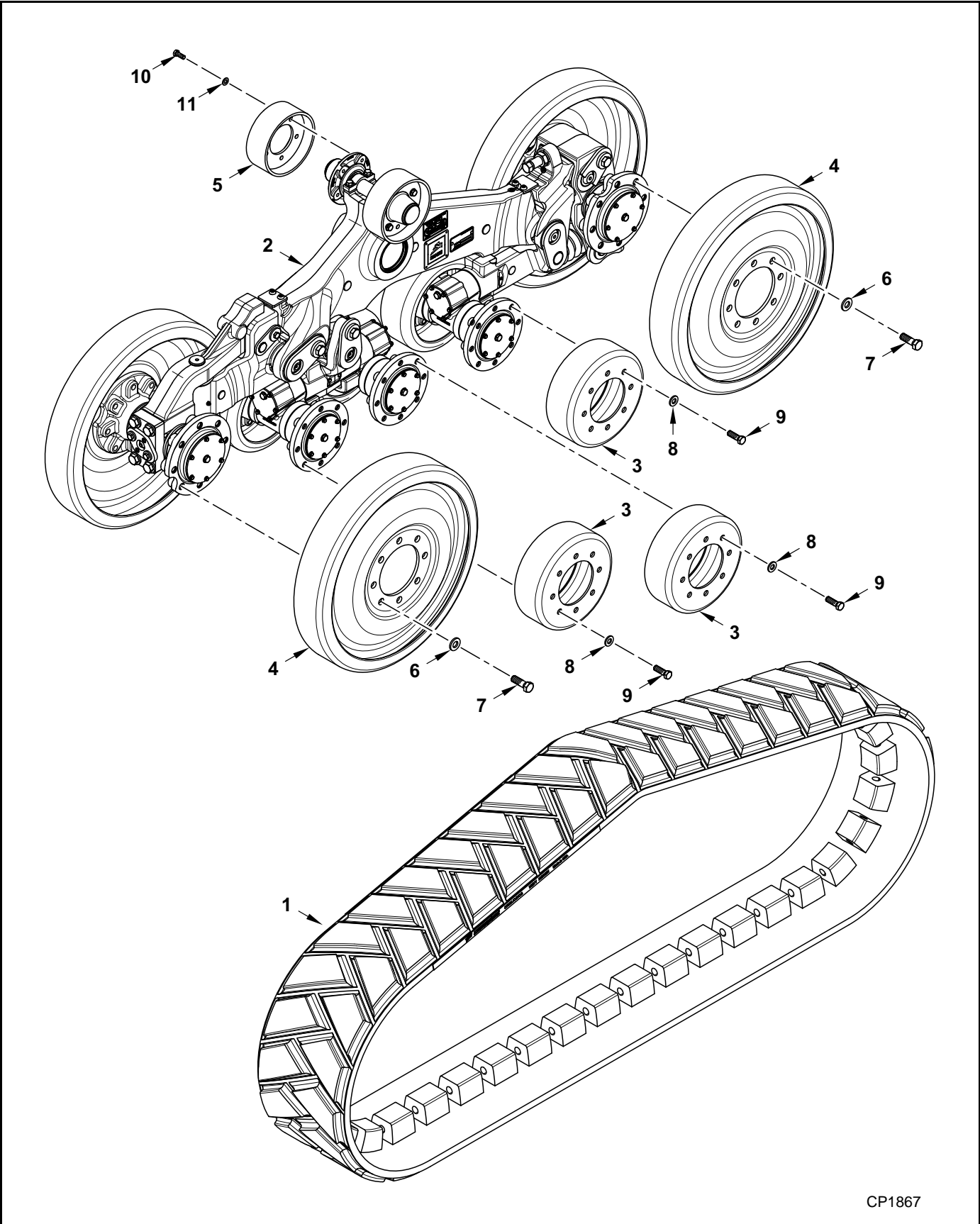
2 - For Special Tooling use p/n 2P-0180-100 Lock Washer Tab Bender available from Camso.

3 - P/n 2C-1320 Mid-roller Hub is replaced with 2C-4798-101SP Shorter Mid-roller Hub. If you are replacing 2C-1320 Hub with a 2C-4798-101SP Hub, Mid-roller Wide. You must also order Formed Hub Cover 2C-4229-101SP.

4 - P/n 2C-2679-101SP Flat Hub Cover only fits 2C-1320 Hubs.

5 - P/n 2C-4229-101SP Formed Hub Cover only fits on 2C-4798-101SP Mid-roller Hubs.

Track & Undercarriage



CP1867

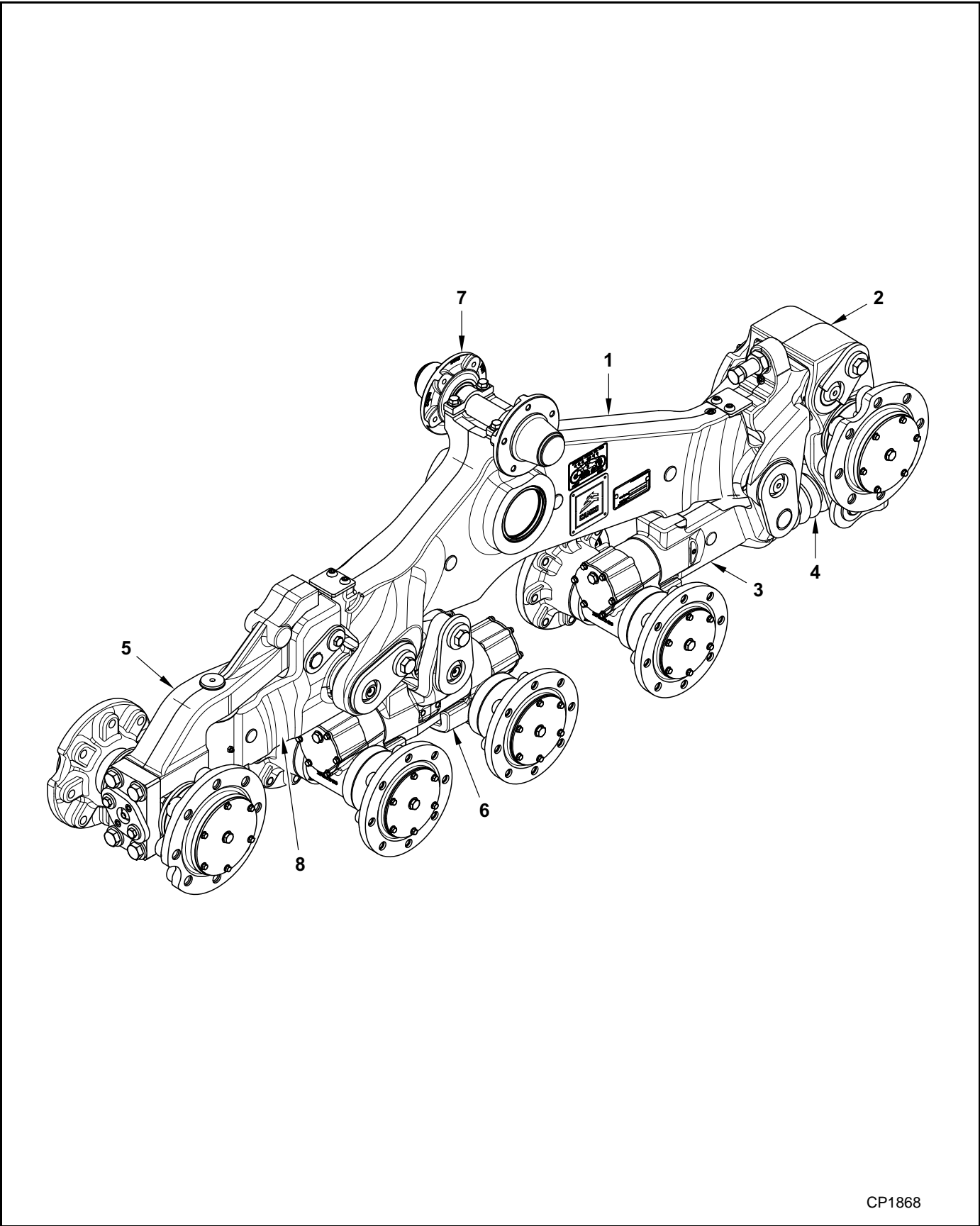
TRAILED TRACK SYSTEM 40 SERIES (3 MID-ROLLER AXLES)
INCLUDES 40-1511, 40-1512, 45-1815, & 45-1816 (EXCLUDES 40-2512, 40-2513 & 45-1814)

Track & Undercarriage

(2A-2473 & 2A-2474)

Ref.	FN	Part Number	TTS Series	Qty.	Description
1		G15BU03103	40-1511	1	TRACK, Rubber, 187" x 15"
			40-1512	1	TRACK, Rubber, 187" x 15"
		G18BU03136	45-1815	1	TRACK, Rubber, 187" x 18"
			45-1816	1	TRACK, Rubber, 187" x 18"
2		2A-2492-100		1	UNDERCARRIAGE ASSY., See page 40-4
3		4W-0307-101SP	40-1511	6	WHEEL, Mid-roller, 330 mm x 97.6 mm, TTS Gray
		4W-0307-102SP	40-1512	6	WHEEL, Mid-roller, 330 mm x 97.6 mm, John Deere Yellow
		4W-0307-103SP		6	WHEEL, Mid-roller, 330 mm x 97.6 mm, Med Gloss Black
		4W-0340-101SP	45-1815	6	WHEEL, Mid-roller, 330 mm x 114 mm, TTS Gray
		4W-0340-102SP	45-1816	6	WHEEL, Mid-roller, 330 mm x 114 mm, John Deere Yellow
		4W-0340-103SP		6	WHEEL, Mid-roller, 330 mm x 114 mm, Med Gloss Black
4		5W-0345-101SP	40-1511	4	WHEEL, Idler, 705 mm x 93.5 mm, TTS Gray
		5W-0345-102SP	40-1512	4	WHEEL, Idler, 705 mm x 93.5 mm, John Deere Yellow
		5W-0345-103SP		4	WHEEL, Idler, 705 mm x 93.5 mm, Med Gloss Black
		5W-0386-101SP	45-1815	4	WHEEL, Idler, 705 mm x 114 mm, TTS Gray
		5W-0386-102SP	45-1816	4	WHEEL, Idler, 705 mm x 114 mm, John Deere Yellow
		5W-0386-103SP		4	WHEEL, Idler, 705 mm x 114 mm, Med Gloss Black
5		2S-0541-001SP		2	WHEEL, Carrier Roller
6		224091351		32	WASHER, Flat, 21.4 x 42 x 5 mm
7		2F-0107		32	BOLT, Hex, M20 x 60, CI 10.9
8		2F-0065		48	WASHER, Flat, M16
9		2F-0087		48	BOLT, Hex, M16 x 50, CI 10.9
10		2F-0005		10	BOLT, Hex
11		2F-0265		10	WASHER, ISO, 7089, 300 HV, Zn-T

Undercarriage Assembly



CP1868

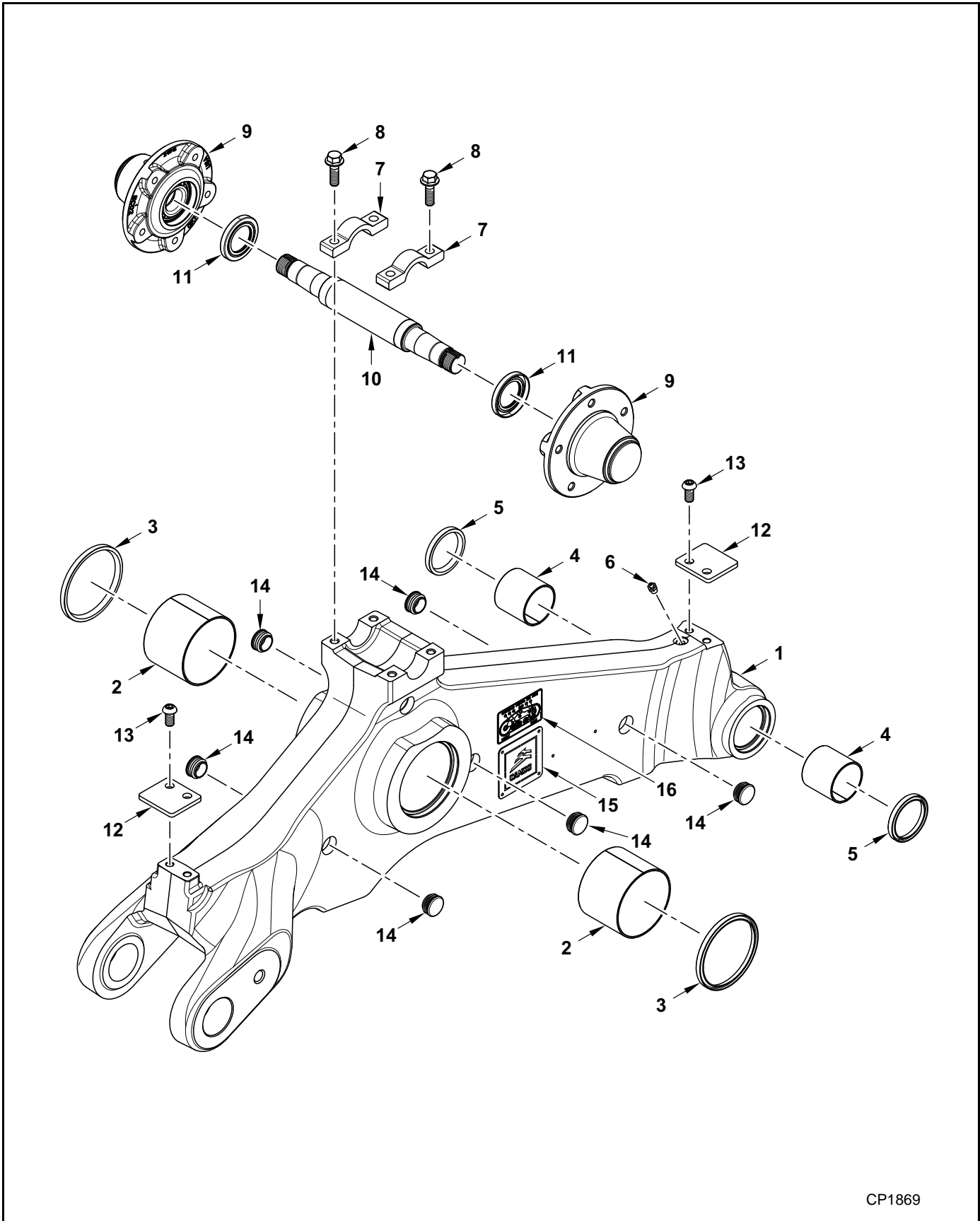
TRAILED TRACK SYSTEM 40 SERIES (3 MID-ROLLER AXLES)
INCLUDES 40-1511, 40-1512, 45-1815 & 45-1816 (EXCLUDES 40-2512, 40-2513, & 45-1814)

Undercarriage Assembly

(2A-2492)

Ref.	FN	Part Number	TTS Series	Qty.	Description
		2A-2492-100		1	UNDERCARRIAGE ASSY., Includes items 1 - 8
1		REF		1	FRAME ASSY., See page 40-6
2		REF		1	TENSION LINK ASSY., See page 40-8
3		REF		1	TENSION ARM ASSY., See page 40-12
4		REF		1	SPRING, Tensioner, See page 40-10
5		REF		1	ALIGNMENT ASSY., See page 40-14
6		REF		1	BOGIE ASSY., Mid-roller, See page 40-16
7		REF		1	ROLLER ASSY., Carrier, See page 40-6
8		REF		1	LINK ASSY., Alignment Tandem, See page 40-18

Frame Assembly



CP1869

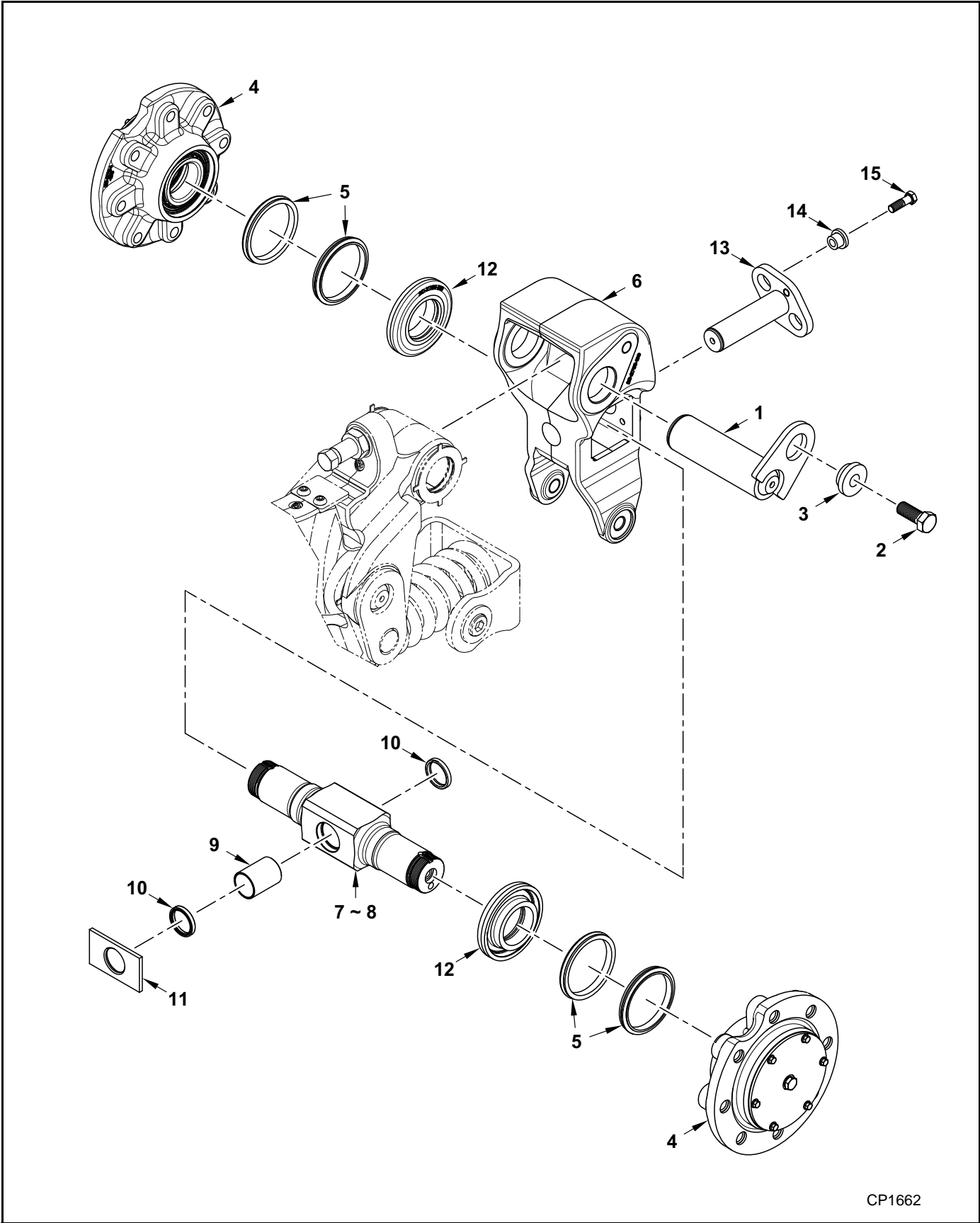
TRAILED TRACK SYSTEM 40 SERIES (3 MID-ROLLER AXLES)
INCLUDES 40-1511, 40-1512, 45-1815, & 45-1816 (EXCLUDES 40-2512, 40-2513, & 45-1814)

Frame Assembly

(2A-1198, 2A-1202 & 2A-1230)

Ref.	FN	Part Number	TTS Series	Qty.	Description
		2A-1198-100SP		1	FRAME ASSY., Main, Includes items 1 - 6, 14 -16
1		NSS		1	FRAME, Main, Includes items 2 - 6
2		2B-0130		2	BUSHING, 105 ID x 110 OD x 80 mm
3		2J-0143		2	SEAL, Scraper, 105 x 120 x 8 mm
4		2B-0117		2	BUSHING, 60 x 65 x 60 mm
5		2J-0117		2	SEAL, Scraper, 60 x 74 x 8 mm
6		2H-0060		1	FITTING, Grease, F 1/8" - 27 PTF
7		2C-2138-100		2	CLAMP
8		2F-0269		4	BOLT, Hex Flg., M12 x 40, CI 10.9
		2A-1202-101SP		1	ROLLER ASSY., Carrier, Includes items 9 - 11
9		NSS		2	HUB ASSY., Carrier Roller, See page 40-24
10		2C-2730-101SP		1	AXLE, Carrier Roller
11		2J-0120		2	SEAL, Multi-lip
12		2C-2745-101SP		2	PLATE
13		2F-0169		4	SCREW, Hex Socket
14		2M-0221		6	PLUG, 1-1/4"
15		2M-0178-100		1	PLATE, Branding, Camso, 130 x 130mm
16		2M-0186-100SP		1	DECAL, Greasing, 65 x 107mm

Tension Link Assembly



CP1662

TRAILED TRACK SYSTEM 40 SERIES (3 MID-ROLLER AXLES)
INCLUDES 40-1511, 40-1512, 45-1815 & 45-1816 (EXCLUDES 40-2512, 40-2513, & 45-1814)

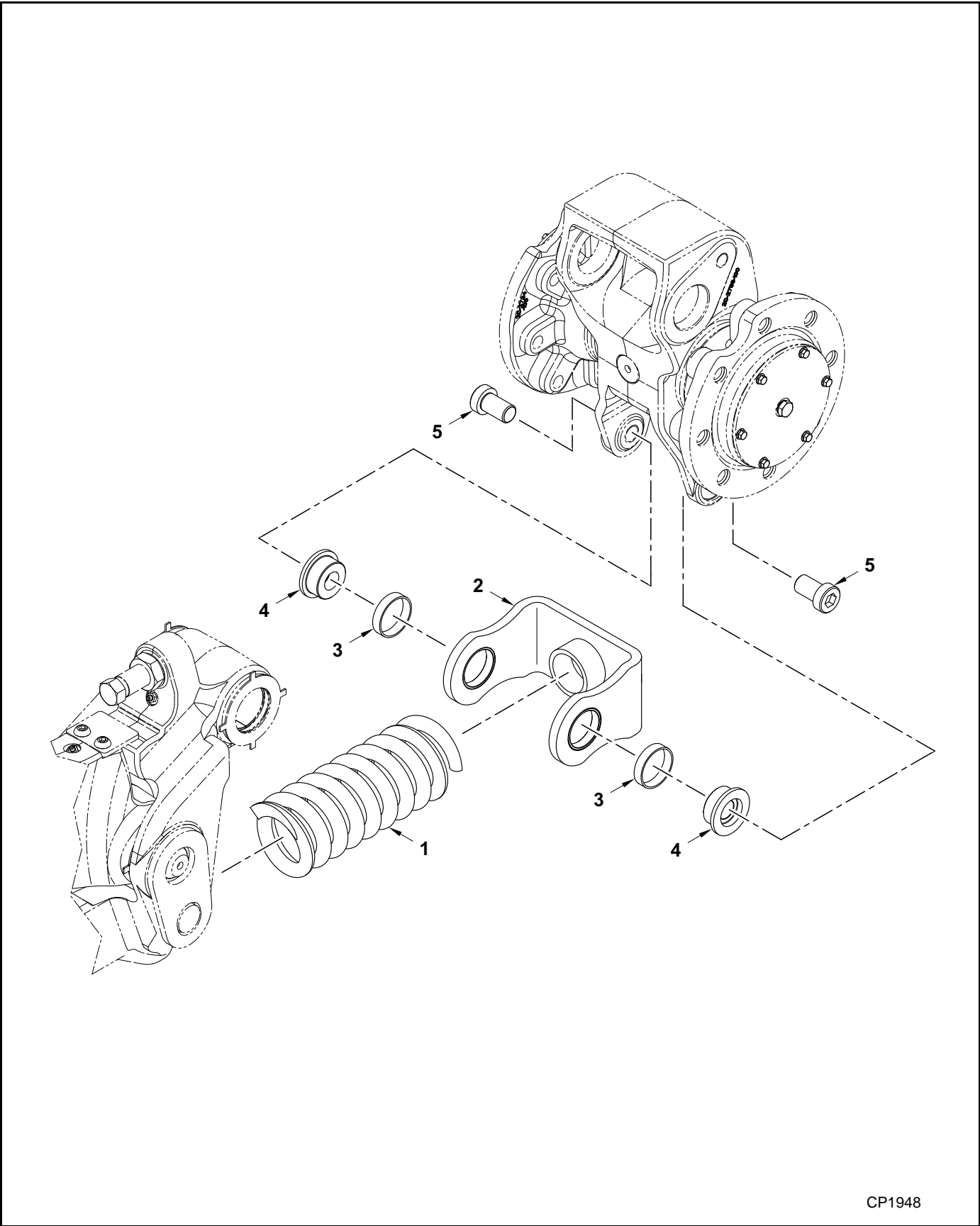
Tension Link Assembly

(2A-1206 & 2A-2492)

Ref.	FN	Part Number	TTS Series	Qty.	Description
1		2S-0487-000		1	PIN, Tensioner
2		2F-0323		1	BOLT, Hex, M20 x 50, CI 10.9
3		2C-2024-100		1	SPACER, Flanged, M20
4		NSS		2	HUB, Idler, See page 40-20
5	1	2J-0028		2	SEAL, Mechanical Face
		2A-1206-101SP		1	LINK ASSY., Tension, Includes items 6 - 15
6		2C-2756-101		1	LINK, Tension
7		2A-1208-100SP		1	AXLE ASSY., Idler, Includes items 8 - 10
8		2C-2742-101SP		1	AXLE, Idler
9		2B-0147		1	BUSHING, Axle, 40 x 45 x 60 mm
10		2J-0161		2	SEAL, Scraper, 40 x 50 x 7 mm
11		2C-2661-100SP		1	PAD, Wear
12		2C-2796-101SP		2	SEAL, Retainer, Idler
13		2S-0488-000SP		1	PIN, Oscillation, 40 mm
14		2C-2512-101SP		2	SPACER, Flanged, 22.2 OD x 12.7 ID mm
15		2F-0423		2	BOLT, Hex, M12 x 40, CI 10.9

1 - For Special Tooling use p/n 2P-0259 Seal Installation Tool available from Camso.

Tensioner Spring



CP1948

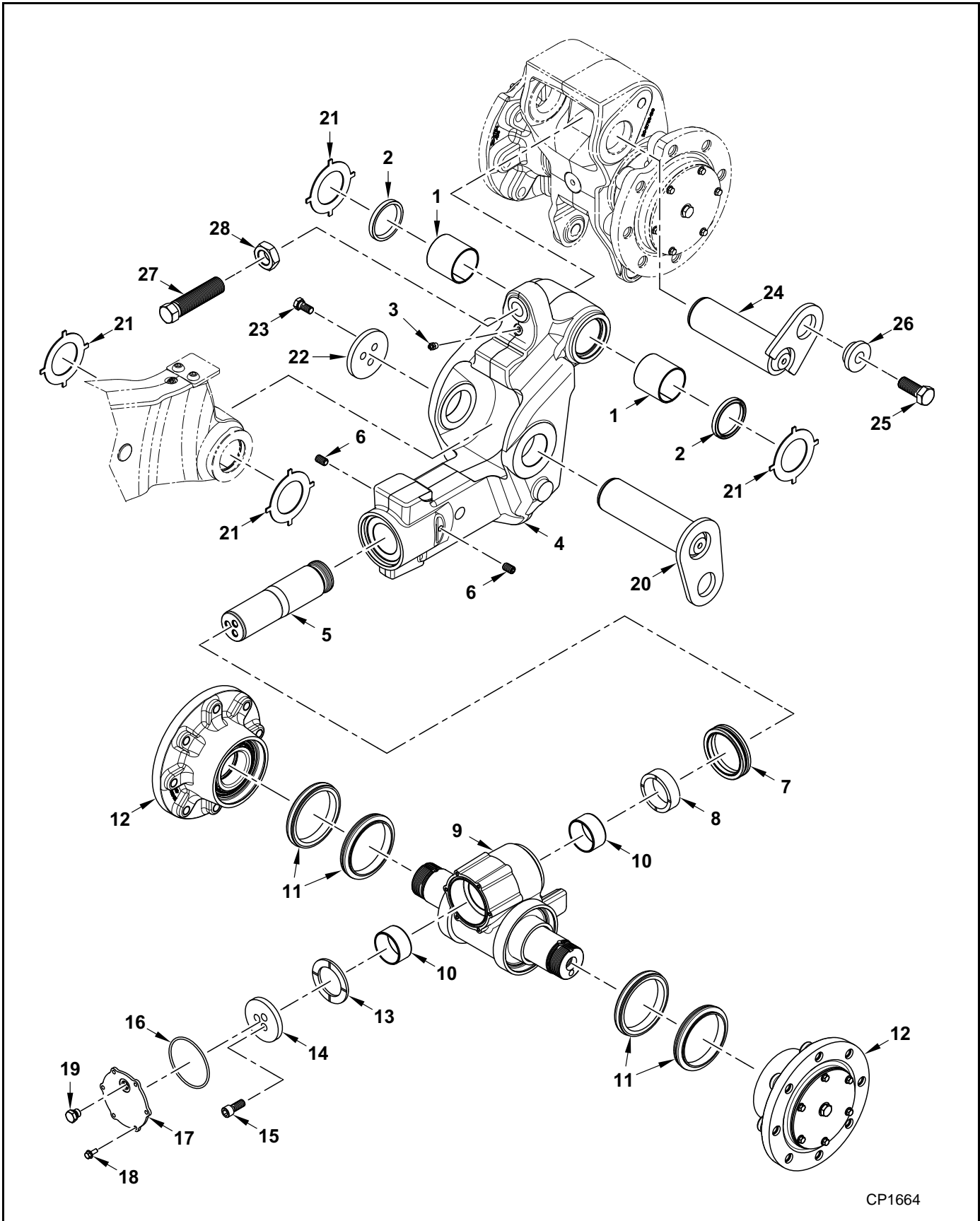
TRAILED TRACK SYSTEM 40 SERIES (3 MID-ROLLER AXLES)
INCLUDES 40-1511, 40-1512, 45-1815 & 45-1816 (EXCLUDES 40-2512, 40-2513, & 45-1814)

Tensioner Spring

(2A-1110 & 2A-2492)

Ref.	FN	Part Number	TTS Series	Qty.	Description
1		2M-0185-001SP		1	SPRING, Tension
		2A-1110-100SP		1	SEAT ASSY., Spring, Includes items 2 & 3
2		2S-0483-001SP		1	SEAT SPRING
3		2B-0134		2	BUSHING, Wear
4		2C-2511-100		2	BUSHING, Flanged
5		2F-0321		2	BOLT, Hex Socket, M24 x 40, CI 10.9

Tension Arm Assembly - Mid-roller



CP1664

TRAILED TRACK SYSTEM 40 SERIES (3 MID-ROLLER AXLES)
INCLUDES 40-1511, 40-1512, 45-1815 & 45-1816 (EXCLUDES 40-2512, 40-2513, & 45-1814)

Tension Arm Assembly - Mid-roller

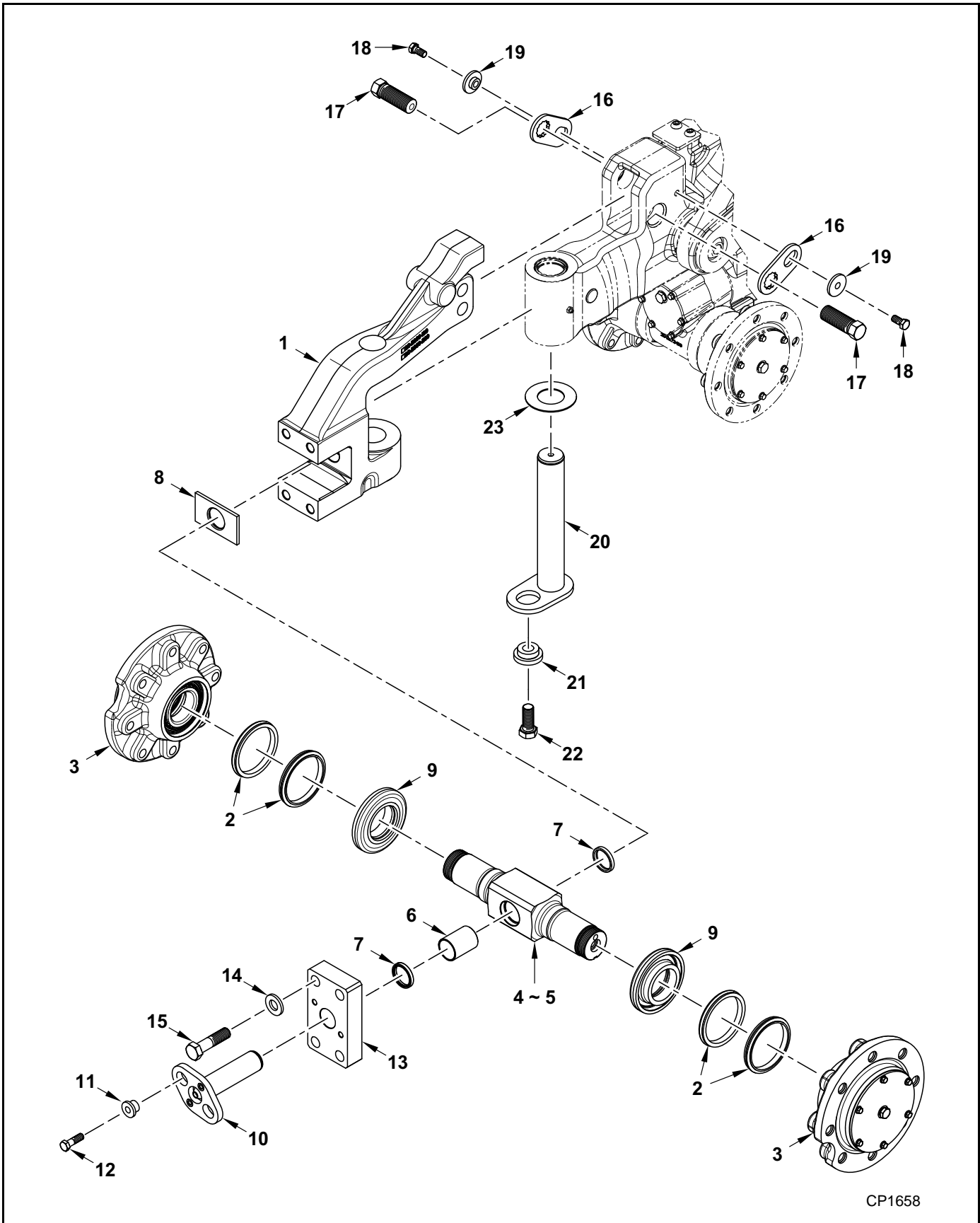
(2A-2492 & 2A-2494)

Ref.	FN	Part Number	TTS Series	Qty.	Description
		2A-2494-101SP		1	TENSION ARM ASSY., Mid-roller, Includes items 1 - 19
1		2B-0117		2	BUSHING, 60 x 65 x 60 mm
2		2J-0117		2	SEAL, Mechanical Face, 60 x 74 x 8 mm
3		2H-0060		1	FITTING, Grease, 1/8"-27 PTF Short
4		2A-1199-100SP		1	TL TANDEM ASSY., Includes 5 - 8
5		NSS		1	PIN
6		NSS		2	SCREW, Set, Hex Socket
7		2J-0087		1	SEAL, Multi-lip
8		2C-1308		1	RING, Wear
		2A-2495-101SP		1	AXLE ASSY., Mid-roller, Includes items 9 - 12
9		2A-1182-101SP		1	AXLE, Mid-roller, Includes item 10
10		105607014		2	BUSHING, 55 X 30 mm
11	1	2J-0013		2	SEAL, Mechanical Face
12		NSS		2	HUB ASSY., Mid-roller, See page 40-22
13		2C-0223		1	RING, Thrust
14		2C-2275-100		1	PLATE, End
15		2F-0255		3	BOLT, Hex, M12 x 30, CI 12.9
16		2J-0077		1	O-RING
17		2C-2368-101SP		1	COVER, Mid-roller Hub
18		761301665		6	BOLT, Hex Flg., M6 x 16, CI 10.9
19		108609500		1	PLUG
20		2S-0435-000SP		1	PIN, Mounting
21		2C-2032-100		4	WASHER, Thrust, 60 mm
22		2C-2280-100		1	PLATE, End
23		2F-0019		3	BOLT, Hex, M12 x 25, CI 10.9
24		2S-0487-000SP		1	PIN, Mounting
25		2F-0323		1	BOLT, Hex, M20 x 50, CI 10.9
26		2C-2024-100		1	SPACER, Flanged, M20
27		2F-0189		1	SCREW, Set, 1-1/8" x 112 mm
28	2	3F-0116		1	NUT, Jam, 1-1/8" x 12 Gr. A

1 - For Special Tooling use p/n 2P-0020-100 Seal Installation Tool available from Camso.

2 - For Special Tooling use p/n 2P-0205-100 TTS Tensioning Spring Socket available from Camso.

Alignment Assembly



CP1658

TRAILED TRACK SYSTEM 40 SERIES (3 MID-ROLLER AXLES)
INCLUDES 40-1511, 40-1512, 45-1815 & 45-1816 (EXCLUDES 40-2512, 40-2513, & 45-1814)

Alignment Assembly

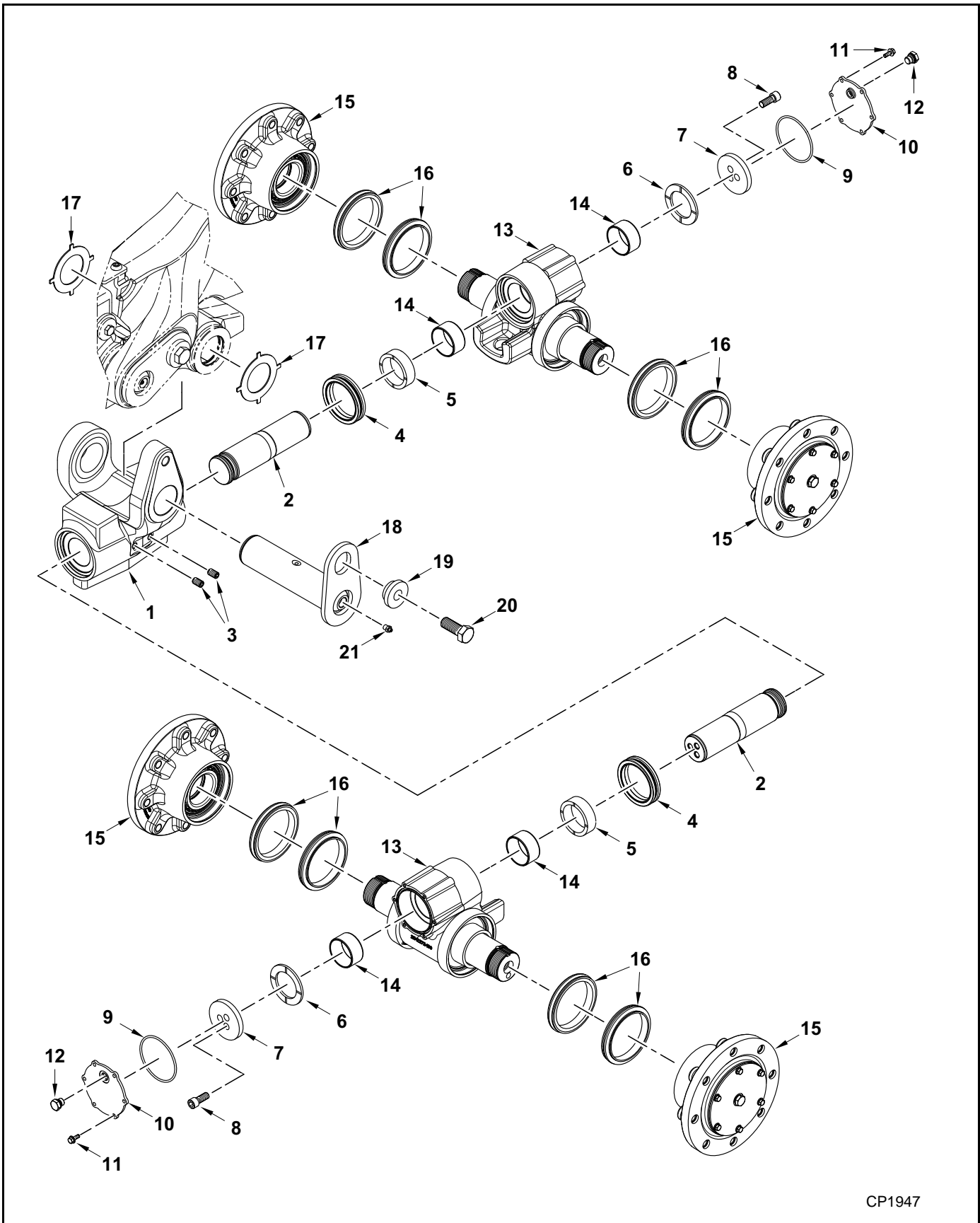
(2A-2492 & 2A-1286)

Ref.	FN	Part Number	TTS Series	Qty.	Description
		2A-1286-101SP		1	ALIGNMENT ASSY., Lever, Includes items 1 - 15
1		2C-2660-201SP		1	LEVER, Alignment
2	1	2J-0028		2	SEAL, Mechanical Face
3		NSS		2	HUB, Idler, See page 40-20
4		2A-1208-100SP		1	AXLE ASSY., Idler, Includes items 5 - 7
5		2C-2742-101SP		1	AXLE, Idler
6		2B-0147		1	BUSHING, Axle, 40 x 45 x 60 mm
7		2J-0161		2	SEAL, Scraper, 40 x 50 x 7 mm
8		2C-2661-100SP		1	PAD, Wear
9		2C-2796-101SP		2	SEAL, Retainer, Idler
10	2	2S-0488-000SP		1	PIN, Oscillation, 40 mm
11	2	2C-2512-101SP		2	SPACER, Flanged, 22.2 OD x 12.7 ID mm
12	2	2F-0423		2	BOLT, Hex, M12 x 35, CI 10.9
13		2C-2722-101		1	BLOCK, Mounting
14		224091351		4	WASHER, Flat, 21.4 x 42 x 5 mm
15	2	2F-0468		4	BOLT, Hex, M20 x 80, CI 10.9
16		2C-2282-100		2	PLATE, Lock
17		2F-0461		2	SCREW, Mounting, 1-1/8" x 76 mm
18		2F-0019		2	BOLT, Hex, M12 x 25, CI 10.9
19		2C-0008		2	SPACER, Flanged
20		2S-0543-000SP		1	PIN, Mounting
21		2C-2024-100		1	SPACER, Flanged
22		2F-0323		1	BOLT, Hex, M20 x 50, CI 10.9
23		2C-2023-100		1	WASHER, Thrust, 50 mm

1 - For Special Tooling use p/n 2P-0259 Seal Installation Tool available from Camso.

2 - Hardware is not plated and requires a coat of med gloss paint after installation or exposed surfaces will rust.

Bogie Assembly - Mid-roller



CP1947

TRAILED TRACK SYSTEM 40 SERIES (3 MID-ROLLER AXLES)
INCLUDES 40-1511, 40-1512, 45-1815 & 45-1816 (EXCLUDES 40-2512, 40-2513, & 45-1814)

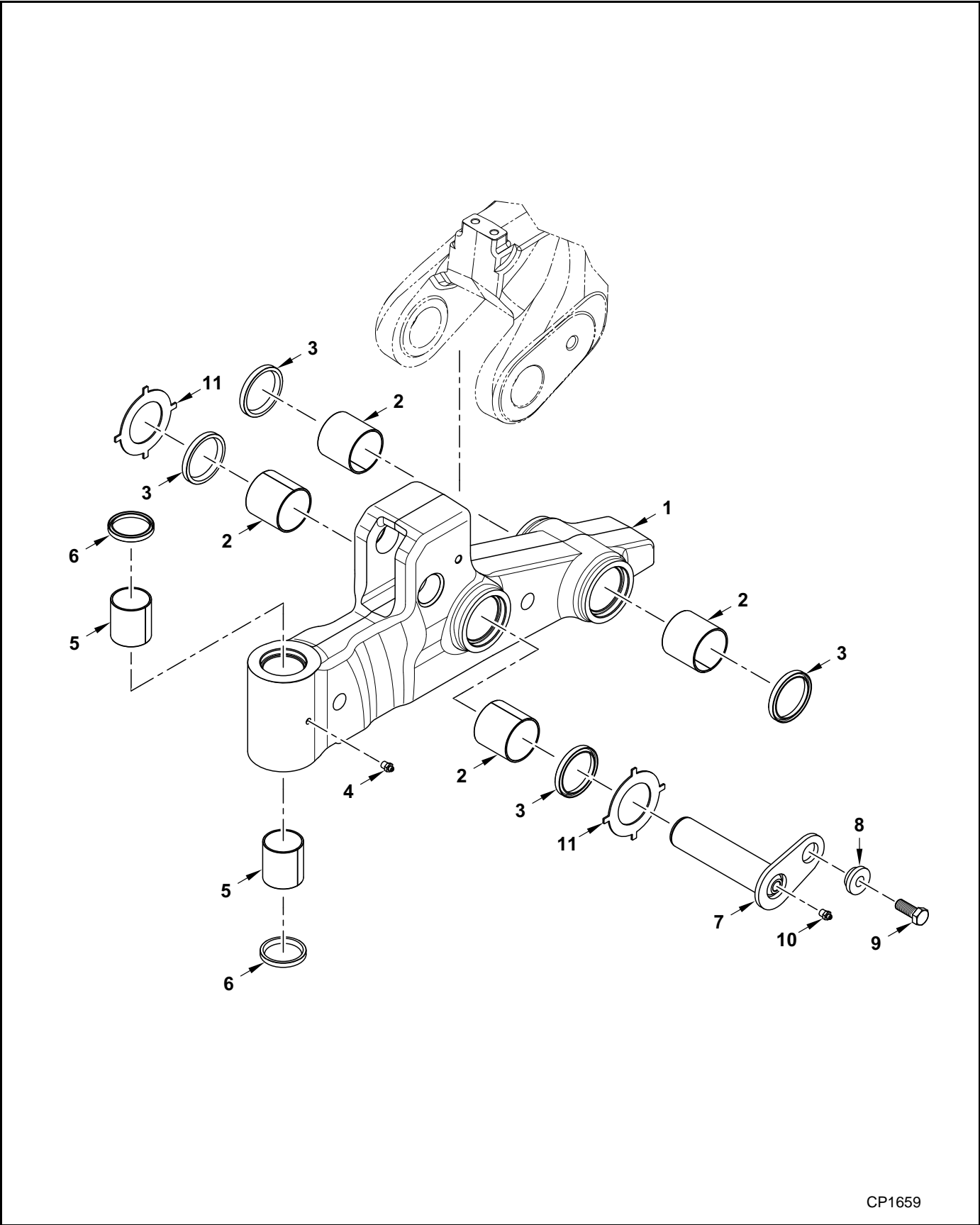
Bogie Assembly - Mid-roller

(2A-2492 & 2A-2493)

Ref.	FN	Part Number	TTS Series	Qty.	Description
		2A-2493-101SP		1	BOGIE ASSY., Mid-roller, Includes items 1 - 13
		2A-1165-101SP		1	SHAFT ASSY., Mid-roller, Includes items 1 - 3
1		2C-2662-100SP		1	HOUSING, Axle
2		2C-2274-100		2	SHAFT, Axle
3		2F-0445		2	SCREW, Set, Hex socket, M12 x 20
4		2J-0087		2	SEAL, Mechanical Face, 76mm ID
5		2C-1308		2	RING, Thrust
6		2C-0223		2	RING Thrust
7		2C-2275-100		2	PLATE, End
8		2F-0255		6	BOLT, Hex, M12 x 30, CI 12.9
9		2J-0077		2	O-RING
10		2C-2368-101SP		2	COVER, Mid-roller Hub
11		761301665		12	BOLT, Hex Flg., M6 x 16, CI 10.9
12		108609500		2	PLUG
		2A-1171-101SP		2	HUB and AXLE ASSY., Includes items 13 - 16
13		2A-1182-101SP		2	AXLE ASSY., Mid-roller, Includes items 14 & 15
14		105607014		4	BUSHING, 55 x 30mm
15		NSS		4	HUB ASSY., Mid-roller, See page 40-22
16	1	2J-0213		8	SEAL, Mechanical Face, 60 x 74 x 8 mm
17		2C-2032-100		1	WASHER, Thrust, 60 mm
18		2S-0351-000		1	PIN, Mounting
19		2C-2024-100		1	SPACER, Flanged
20		2F-0323		1	BOLT, Hex, M20 x 50, CI 10.9
21		2H-0060		1	FITTING, Grease, 1/8"-27 PTF Short

1 - For Special Tooling use p/n 2P-0020-100 Seal Installation Tool available from Camso.

Link Assembly - Alignment Tandem



CP1659

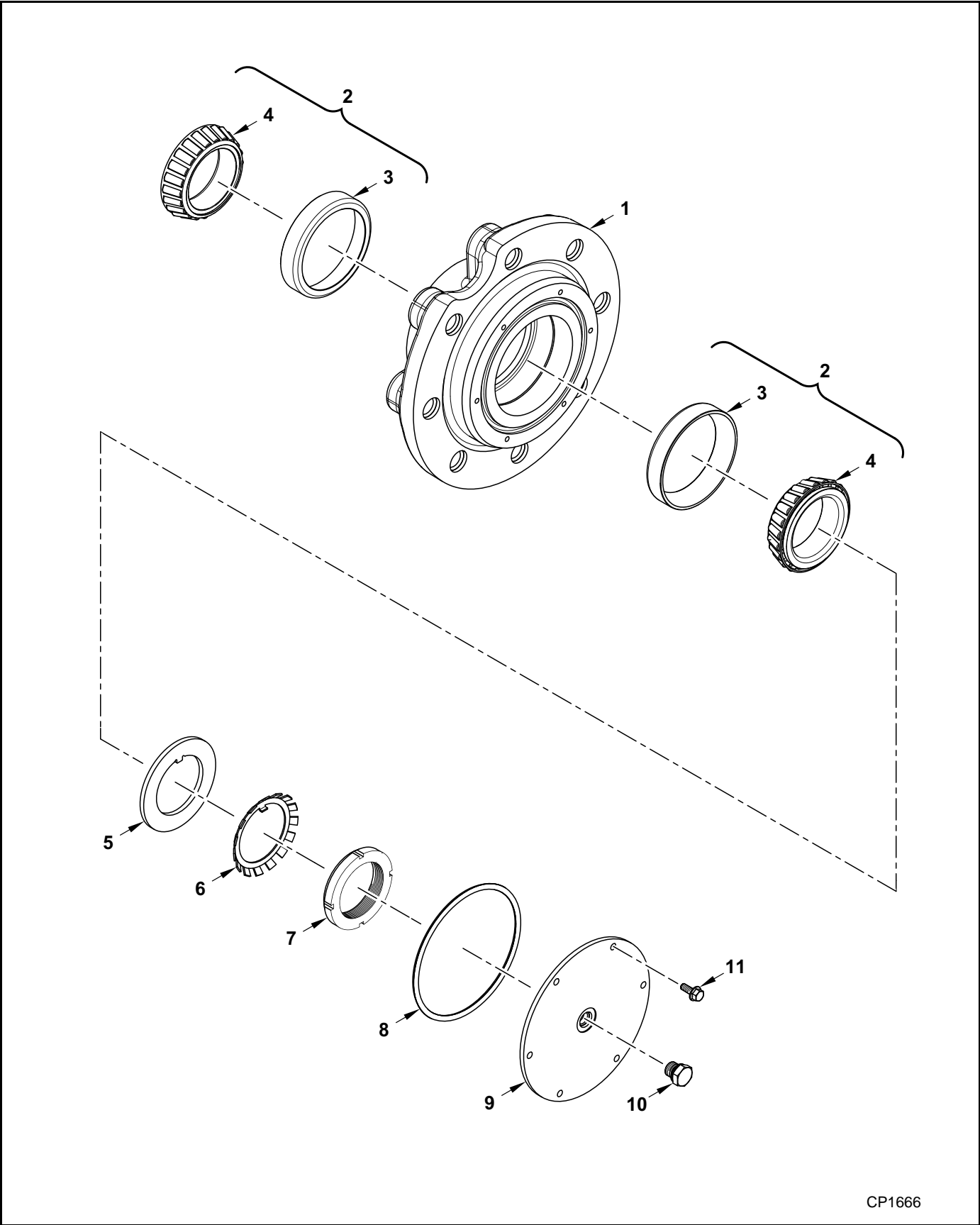
TRAILED TRACK SYSTEM 40 SERIES (3 MID-ROLLER AXLES)
INCLUDES 40-1511, 40-1512, 45-1815 & 45-1816 (EXCLUDES 40-2512, 40-2513, & 45-1814)

Link Assembly - Alignment Tandem

(2A-2492 & 2A-1185)

Ref.	FN	Part Number	TTS Series	Qty.	Description
		2A-1185-100SP		1	LINK ASSY., Alignment Tandem, Includes items 1 - 6
1		2C-2723-101		1	LINK, Alignment Tandem
2		2B-0117		4	BUSHING, 60 x 65 x 60 mm
3		2J-0117		4	SEAL, Scraper, 60 x 74 x 8 mm
4		2H-0060		1	FITTING, Grease, 1/8"-27 PTF Short
5		2B-0118		2	BUSHING
6		2J-0116		2	SEAL, Scraper
7		2S-0351-000		1	PIN, Mounting
8		2C-2024-100		1	SPACER, Flanged
9		2F-0323		1	BOLT, Hex, M20 x 50, CI 10.9
10		2H-0060		1	FITTING, Grease, 1/8"-27 PTF Short
11		2C-2032-100		2	WASHER, Thrust, 60 mm

Hub - Idler



CP1666

TRAILED TRACK SYSTEM 40 SERIE (3 MID-ROLLER AXLES)
INCLUDES 40-1511, 40-1512, 45-1815 & 45-1816 (EXCLUDES 40-2512, 40-2513, & 45-1814)

Hub - Idler

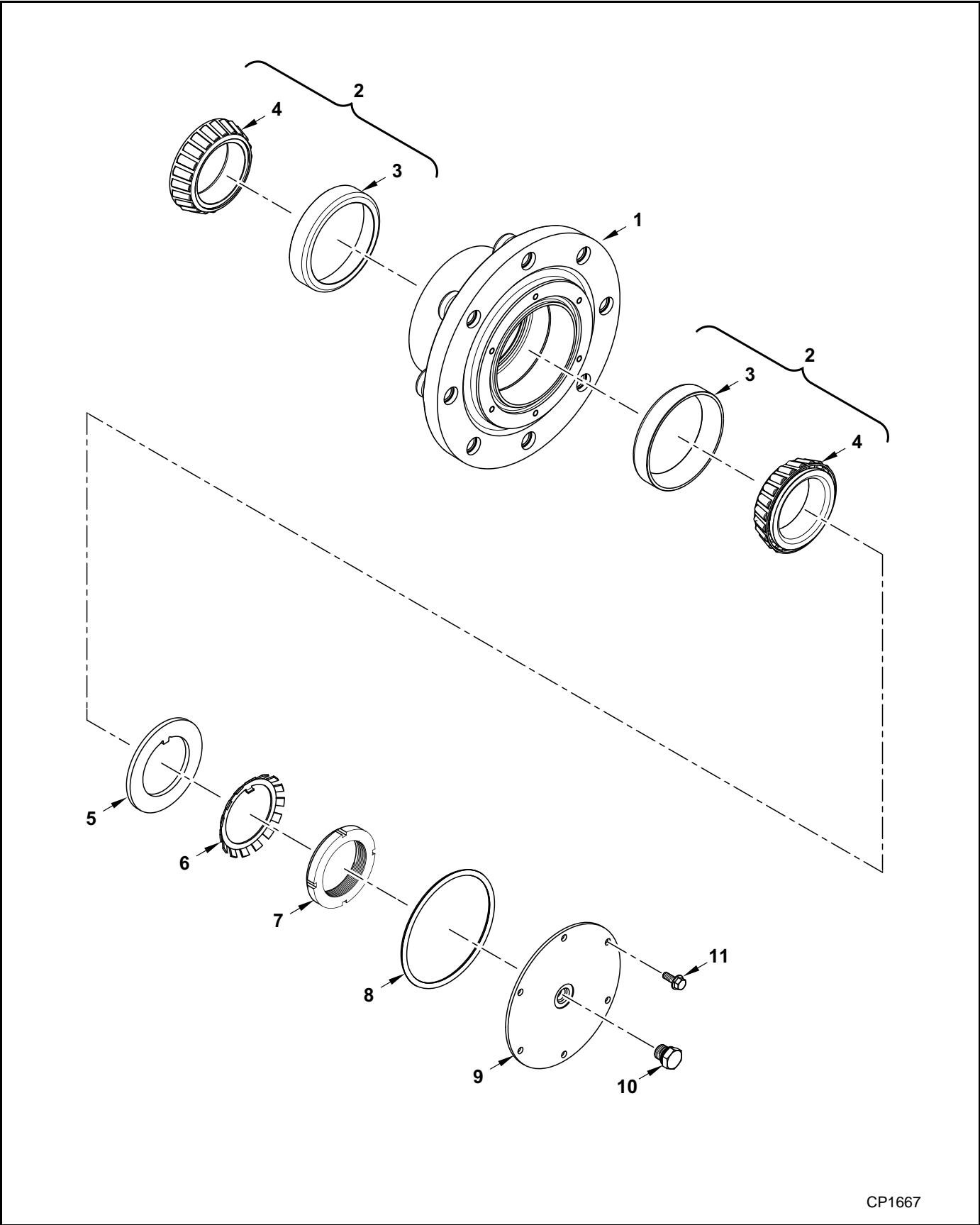
(2A-1206 & 2A-1286)

Ref.	FN	Part Number	TTS Series	Qty.	Description
1		2C-2734-101SP		1	HUB, Idler
2		2A-1066-100		2	BEARING SERVICE SET, Idler, Includes items 3 & 4
3		NSS		1	BEARING, Roller, Cup (2B-0157)
4		NSS		1	BEARING, Roller Cone (2B-0161)
5		674012700		1	WASHER, Tongue
6	2	105023916		1	WASHER, Lock
7	1	105023915		1	NUT, Lock
8		2J-0023		1	O-RING
9		2C-0196-101SP		1	COVER, Idler Hub
10		108609500		1	PLUG
11		761301665		6	BOLT, Hex Flg., M6 x 16 Cl 10.9

1 - For Special Tooling use p/n 2P-0021 Bearing Locknut Socket available from Camso.

2 - For Special Tooling use p/n 2P-0180-100 Lock Washer Tab Bender available from Camso.

Hub - Mid-roller



CP1667

TRAILED TRACK SYSTEM 40 SERIES (3 MID-ROLLER AXLES)
INCLUDES 40-1511, 40-1512, 45-1815 & 45-1816 (EXCLUDES 40-2512, 40-2513, & 45-1814)

Hub - Mid-roller

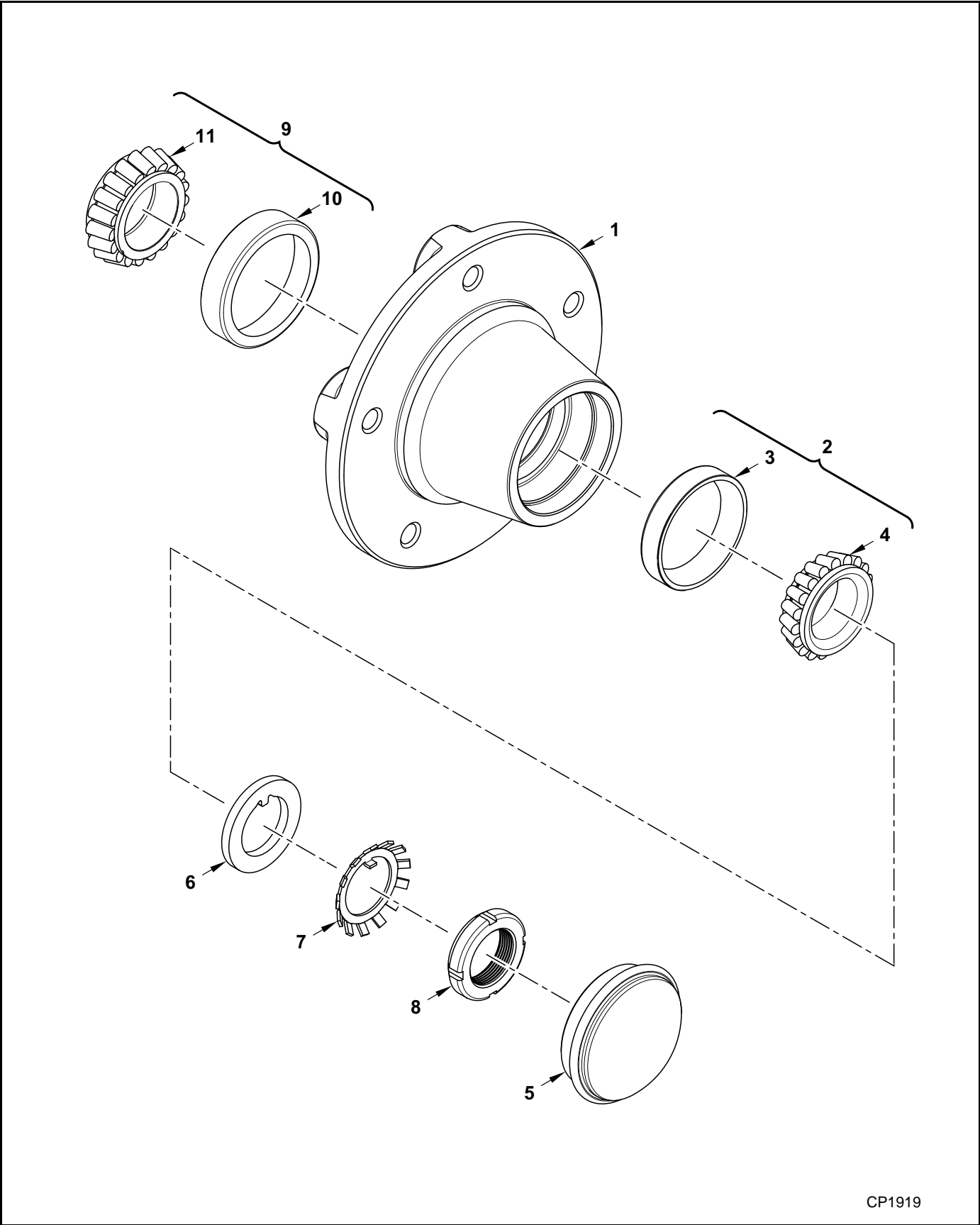
(2A-2495)

Ref.	FN	Part Number	TTS Series	Qty.	Description
1		2C-2652-101SP		1	HUB, Mid-roller
2		2A-1066-100		2	BEARING SERVICE SET, Mid-roller, Includes items 3 & 4
3		NSS		1	BEARING, Roller, Cup (2B-0157)
4		NSS		1	BEARING, Roller Cone (2B-0161)
5		674012700		1	WASHER, Tongue
6	2	105023916		1	WASHER, Lock
7	1	105023915		1	NUT, Lock
8		106023515		1	O-RING
9		2C-2679-101SP		1	COVER, Mid-roller Hub
10		108609500		1	PLUG
11		761301665		6	BOLT, Hex Flg., M6 x 16, CI 10.9

1 - For Special Tooling use p/n 2P-0021 Bearing Locknut Socket available from Camso.

2 - For Special Tooling use p/n 2P-0180-100 Lock Washer Tab Bender available from Camso.

Hub - Carrier Roller



CP1919

TRAILED TRACK SYSTEM 40 SERIES (3 MID-ROLLER AXLES)
INCLUDES 40-1511, 40-1512, 45-1815 & 45-1816 (EXCLUDES 40-2512, 40-2513, & 45-1814)

Hub - Carrier Roller

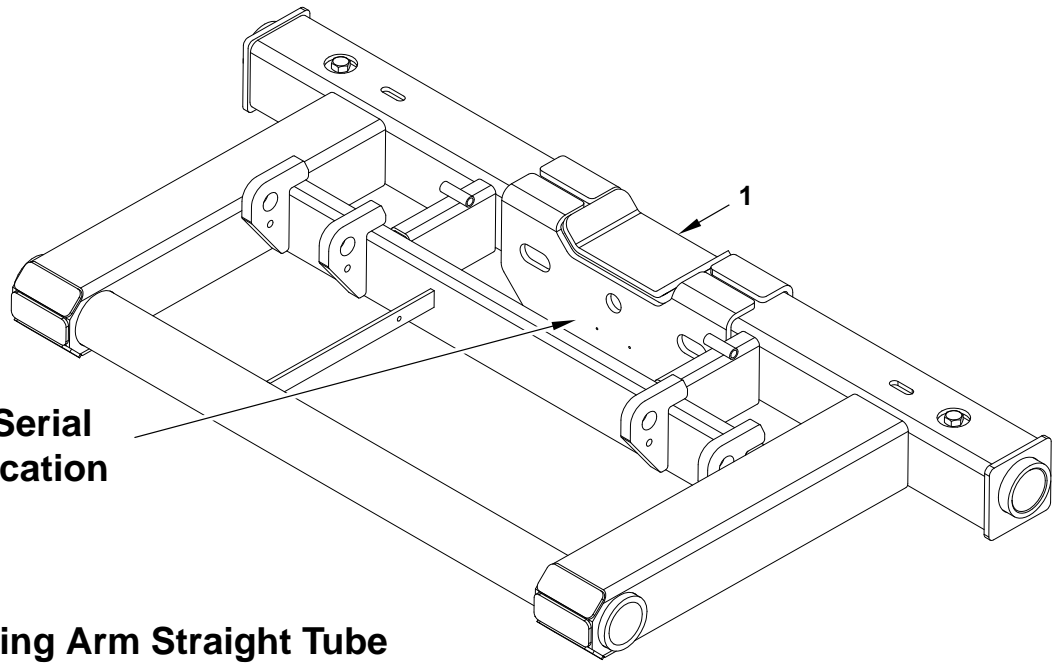
(2A-1202)

Ref.	FN	Part Number	TTS Series	Qty.	Description
1		2C-0932-101		1	HUB, Carrier Roller
2		2A-1065-100		1	OUTER BEARING SET, Carrier, Includes items 3 & 4
3		NSS		1	BEARING, Roller, Cup (2B-0063)
4		NSS		1	BEARING, Roller Cone (2B-0064)
5		2M-0024		1	COVER, Hub, Upper Roller, Black
6		2C-2080-100		1	WASHER, Tongue, Painted Black, 47.5 x 27.45 x 4.76 mm
7	1	2F-0247		1	WASHER, Lock
8	2	2F-0246		1	NUT, Lock
9		2A-1064-100		1	INNER BEARING SET, Carrier, Includes items 10 & 11
10		NSS		1	BEARING, Roller, Cup (2B-0122)
11		NSS		1	BEARING, Roller, Cone (2B-0121)

1 - For Special Tooling use p/n 2P-0180-100 Lock Washer Tab Bender available from Camso.

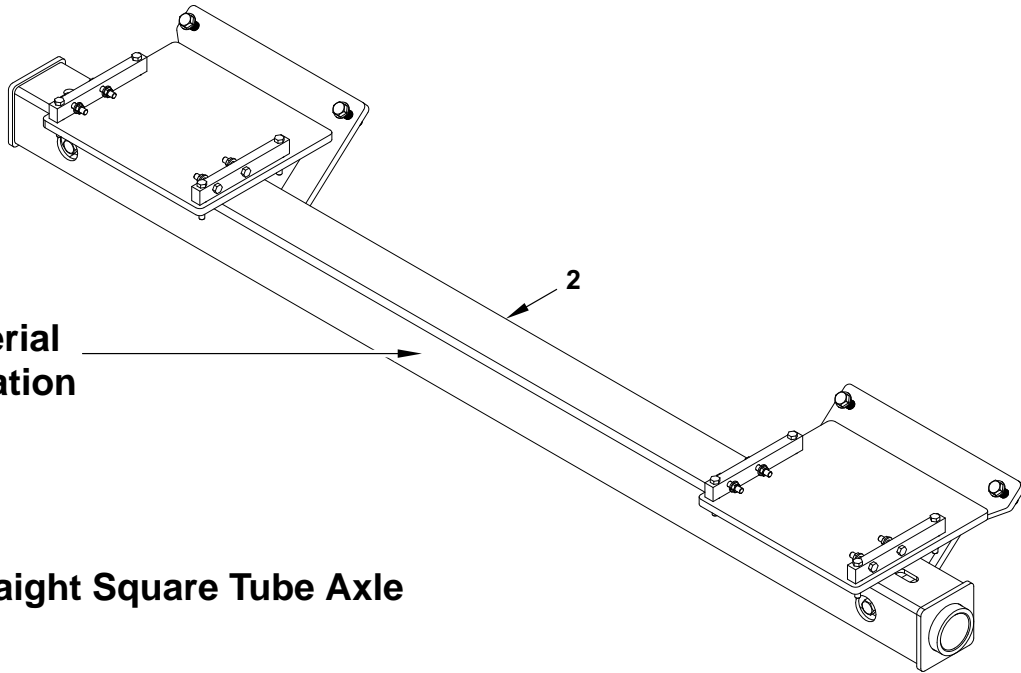
2 - For Special Tooling use p/n 2P-022-100-100 Carrier Roller Locknut available from Camso.

Axles



Typical Serial Plate Location

Swing Arm Straight Tube



Typical Serial Plate Location

Straight Square Tube Axle

CP1920

FITMENT KITS

Axles

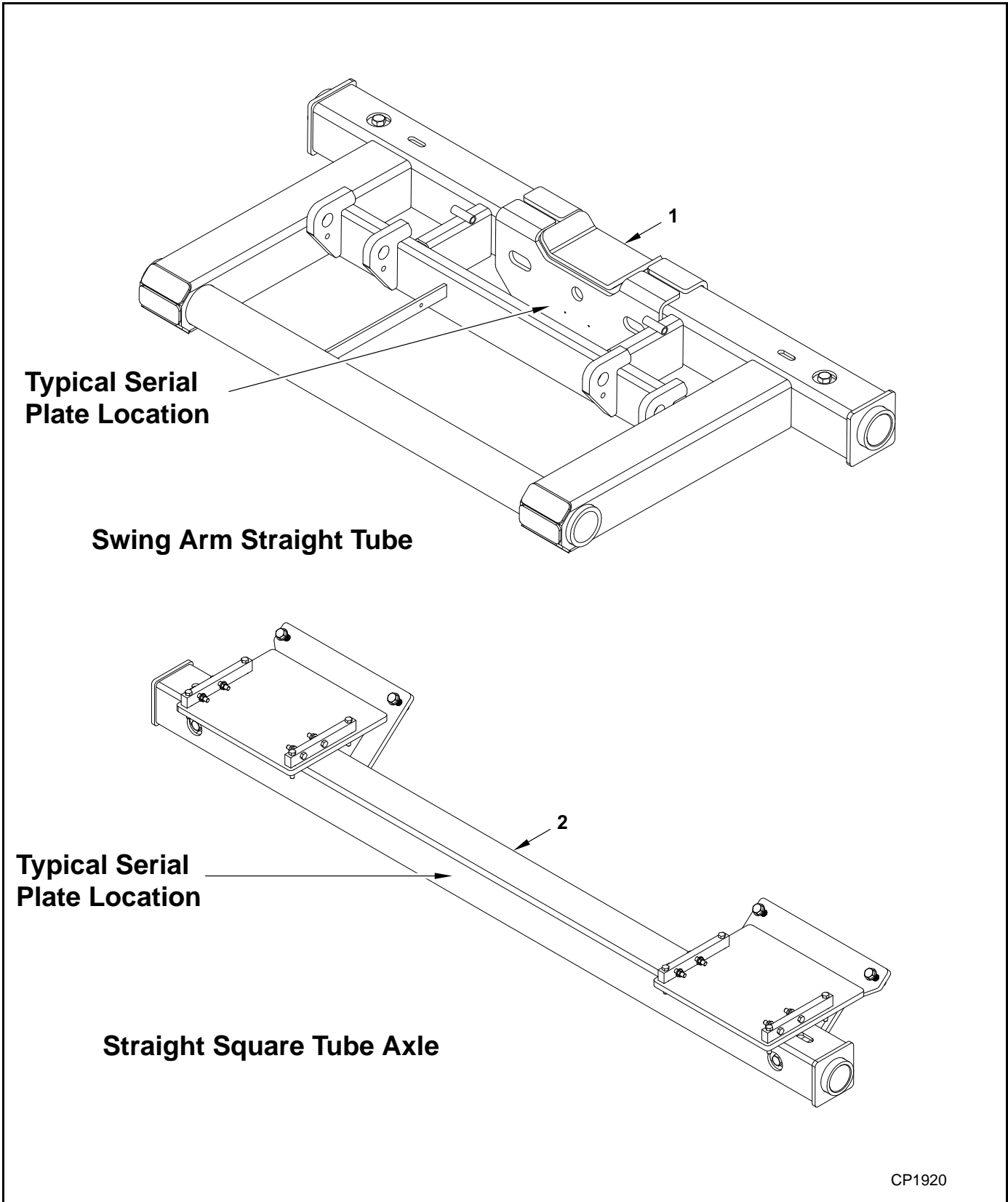
Ref.	FN	Part Number	Brand	Application	Axle Pin Diameter	Center to Center of Tracks	Mounting Type	Axle Replacement Part Number
1		2A-0596	CNH	16 Row 1200-1240 Planter	3.5"	122"	Bolt On	2A-1174-100
		2C-1354						
		2A-0745	CNH	24 Row 1240 Planter	3.5"	122"	Bolt On	2A-1175-100
		2C-1465						
		2A-0771	CNH	16 Row 1240 Planter	3.5"	122"	Bolt On	2A-1174-100
		2C-1544						
		2A-1172-100	CNH	CASE 1240 Planter	3.5"	132"	Bolt On	*
		2S-0525-101						
		2A-1174-100	CNH	CASE 1200 Planter	3.5"	122"	Bolt On	*
		2C-0526-101						
		2A-1175-100	CNH	CASE 1240 Planter	3.5"	122"	Bolt On	*
		2S-0527-101						
		2A-1177-100	CNH	CASE 1240 Planter	3.5"	132"	Bolt On	*
		2C-0529-101						
		2A-0682	Deere-Bauer	Planter	3.5"	88"	Bolt On	*
		2C-1360						
		2A-0683	Deere-Bauer	Planter	3.5"	110"	Bolt On	*
		2C-1361						
		2A-0684	Deere-Bauer	Planter	3.5"	120"	Bolt On	*
		2C-1362						
	2A-0685	Deere-Bauer	Planter	3.5"	88"	Bolt On	*	
	2C-1363							
	2A-0686	Deere-Bauer	Planter	3.5"	100"	Bolt On	*	
	2C-1364							
	2A-0687	Deere-Bauer	Planter	3.5"	110"	Bolt On	*	
	2C-1365							
	2A-0688	Deere-Bauer	Planter	3.5"	120"	Bolt On	*	
	2C-1366							
	2A-1054-100	Deere-Bauer	Planter 88+	3.5"	132"	Bolt On	*	
	2S-0452-101							
	2A-0433	Force Unlimited	Pro-Force Spreader	4.5"	115"	Bolt On	*	
	2C-1575							

NOTE: Axle illustrations are representative of an axle style. Actual axle configuration may differ slightly from the illustration.

* Use the model number from the axle serial plate.

Continued on Next Page

Axles



CP1920

FITMENT KITS

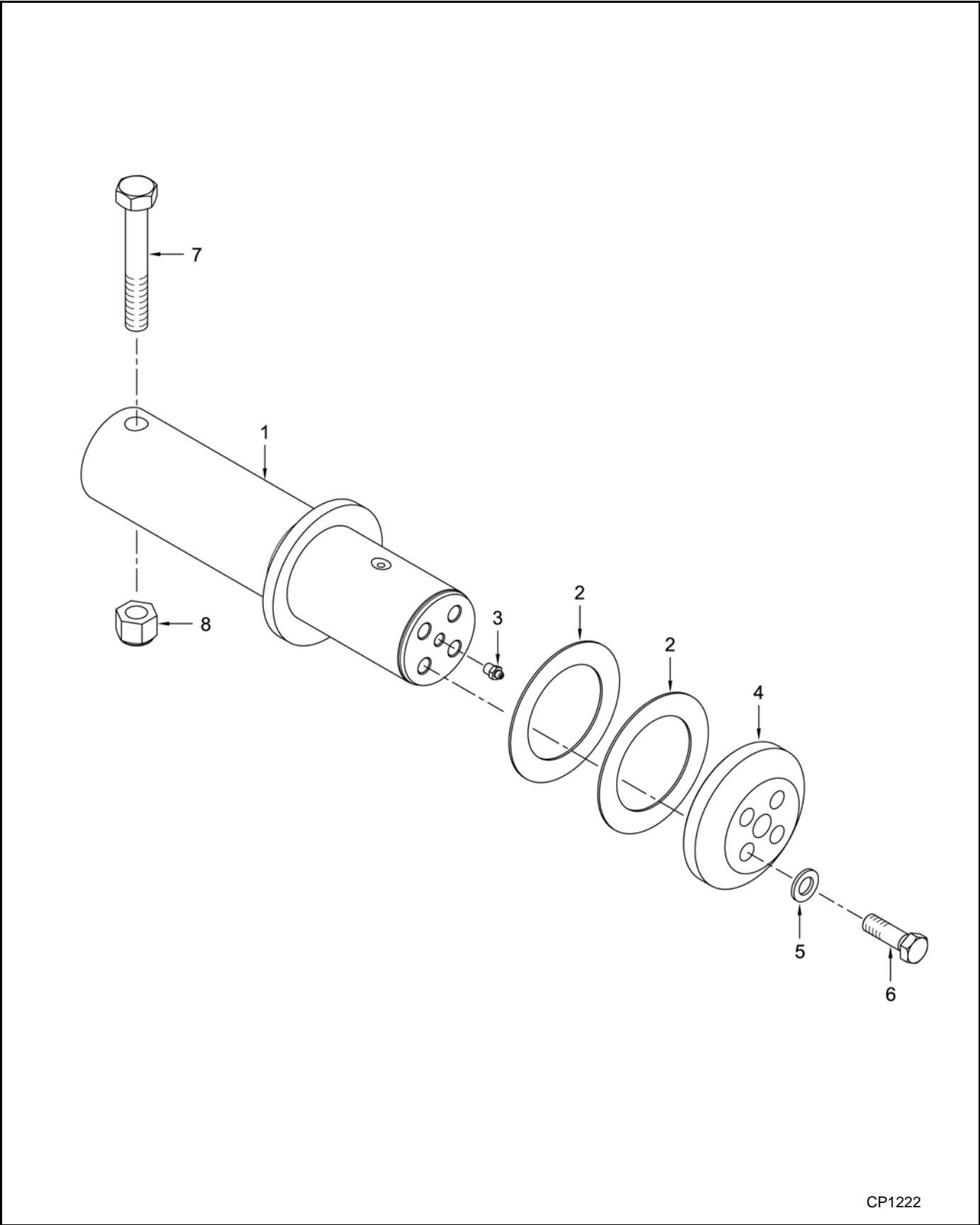
Axles

Ref.	FN	Part Number	Brand	Application	Axle Pin Diameter	Center to Center of Tracks	Mounting Type	Axle Replacement Part Number
1		2A-0750	Hardi	88" 6,600 Commader	4"	Unknown	Bolt On	*
		2C-1487						
		2A-0749	Hardi	88" 10,000 Commander	4"	Unknown	Bolt On	*
		2C-1477						
		2A-0804	Hardi	120" 4,400 Sprayer	4"	120"	Bolt On	*
		2C-1604						
		2A-0805	Hardi	120" 6,600 Commander	4"	120"	Bolt On	*
		2C-1605						
		2A-0806	Hardi	120" 10,000 Commander	4"	120"	Bolt On	*
		2C-1606						
		2A-0545	Meyer	XTT3000 Spreader	4.5"	87"	Weld On	*
		2C-1420						
		2A-0597	Orthman	Auger Cart	4.5"	128"	Bolt On	*
		2C-1564						
		2A-1977-100	Universal	Universal	4.5"	77"	Bolt On	*
		2C-1667-001						

NOTE: Axle illustrations are representative of an axle style. Actual axle configuration may differ slightly from the illustration.

* Use the model number from the axle serial plate.

3.5" & 4.5" Pins



CP1222

FITMENT KITS

3.5" & 4.5" Pins

(2A-0962 & 2A-0973)

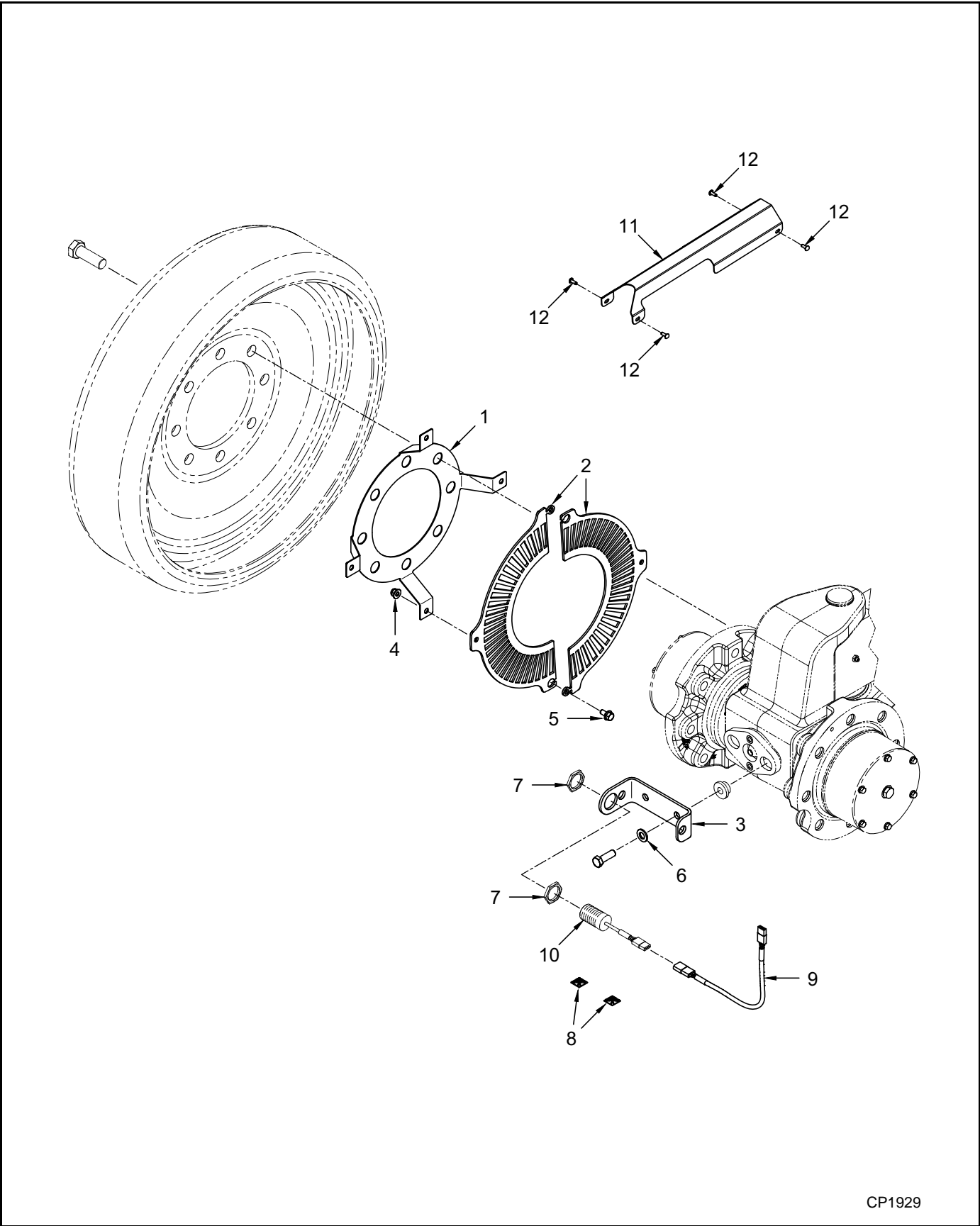
Ref.	FN	Part Number	TTS Series	Qty.	Description
1	1	2A-0974-101SP		1	PIN, Straight, 3.5"
	2	2A-0963-101SP		1	PIN, Straight, 4.5"
2	1	2C-2211-100		2	WASHER, Thrust, 90 mm
	2	2C-2168-100		2	WASHER, Thrust, 105 mm
3		2H-0060		1	FITTING, Grease, 1/8"- 27 PTF
4	1	2C-2212-100		1	CAP, End, 90 mm
	2	2C-2169-100		1	CAP, End, 105 mm
5	1	2F-0112		4	WASHER, Flat, M16
	2	224090131		4	WASHER, Flat, M20
6	1	2F-0087		4	BOLT, Hex, M16 x 50, CI 10.9
	2	2F-0107		4	BOLT, Hex, M20 x 60, CI 10.9
7	1	3F-0039		1	BOLT, Hex, 6" x 3/4"-10, Gr 8
	2	3F-0044		1	BOLT, Hex, 7" x 3/4"-10, Gr 8
8		3F-0004		1	NUT, Hex, 3/4"-10 UNC

NOTE: Actual Fitment Kits from the factory include 2 pins and associated hardware.

1 - 3.5" Pin on axle side and 90mm on undercarriage side.

2 - 4.5" Pin on axle side and 104mm on undercarriage side.

John Deere DB Planter Products



CP1929

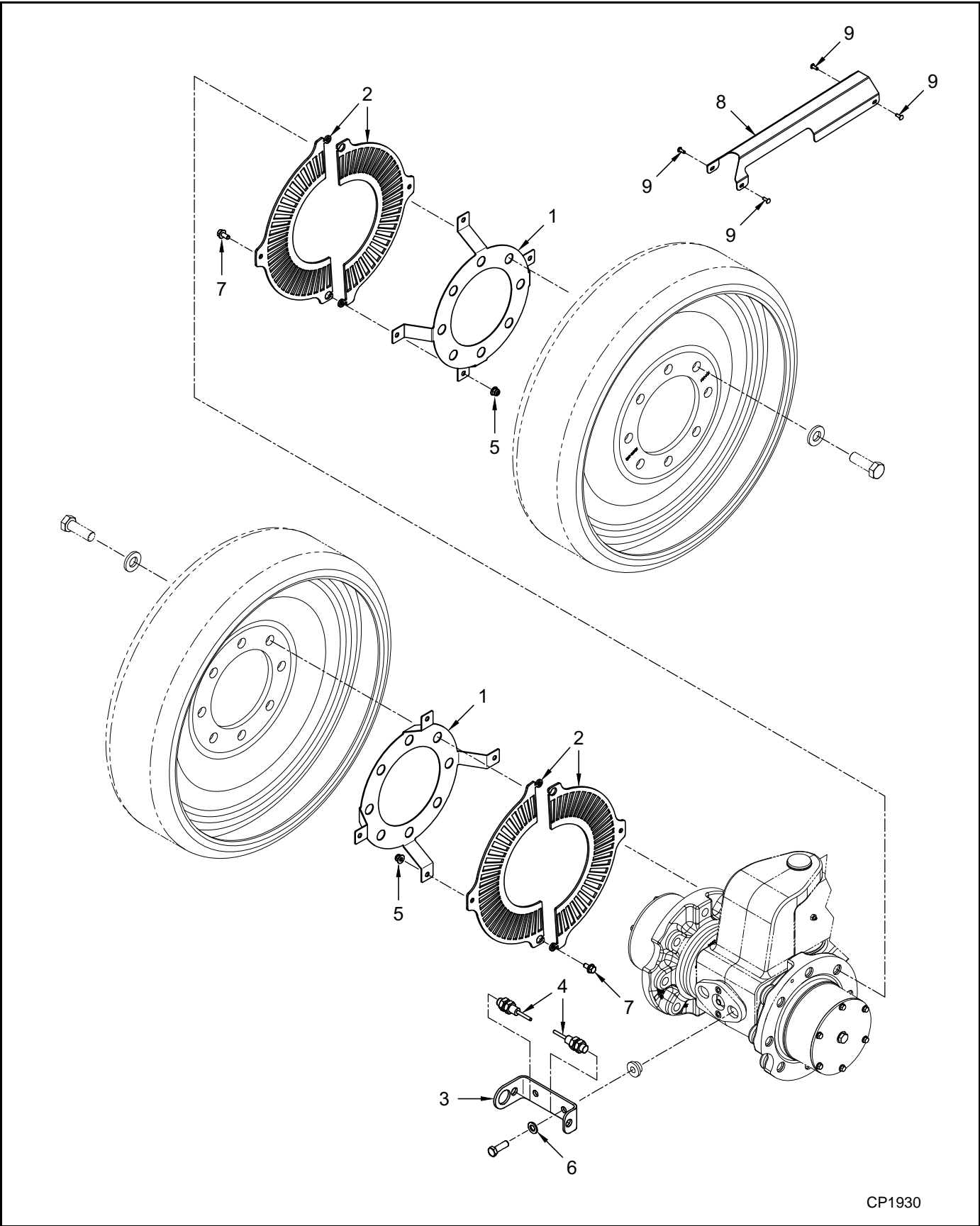
SPEED SENSOR KIT

John Deere DB Planter Products

(2A-1125)

Ref.	FN	Part Number	TTS Series	Qty.	Description
		2A-1125-100SP		1	KIT, John Deere Speed Sensor, Includes items 1 - 10
1		2C-2545-101SP		1	BRACKET, Mounting, Speed Ring
2		2C-2544-101SP		2	RING, Speed
3		2C-2543-100		1	BRACKET, Speed Sensor
4		2F-0220		4	NUT, Flanged, M8
5		761401665		4	BOLT, Hex Flg., M8 x 16, CI 10.9
6		2F-0265		2	WASHER, Flat, M12
7		2M-0148		2	NUT, Hex, John Deere Speed Sensor
8		2M-0044		2	HOLDER, Cable Tie, Adhesive
9		2A-1294-101SP		1	CABLE, Speed Sensor
10		2M-0147		1	SENSOR, Speed, John Deere
11		2C-2569-101SP	35-2511	1	GUARD, Harness, Speed Sensor
12		2F-0096	35-2511	4	SCREW, Drive, Type-U #10 x 1/2", Stainless

CNH / IH Planter Products



CP1930

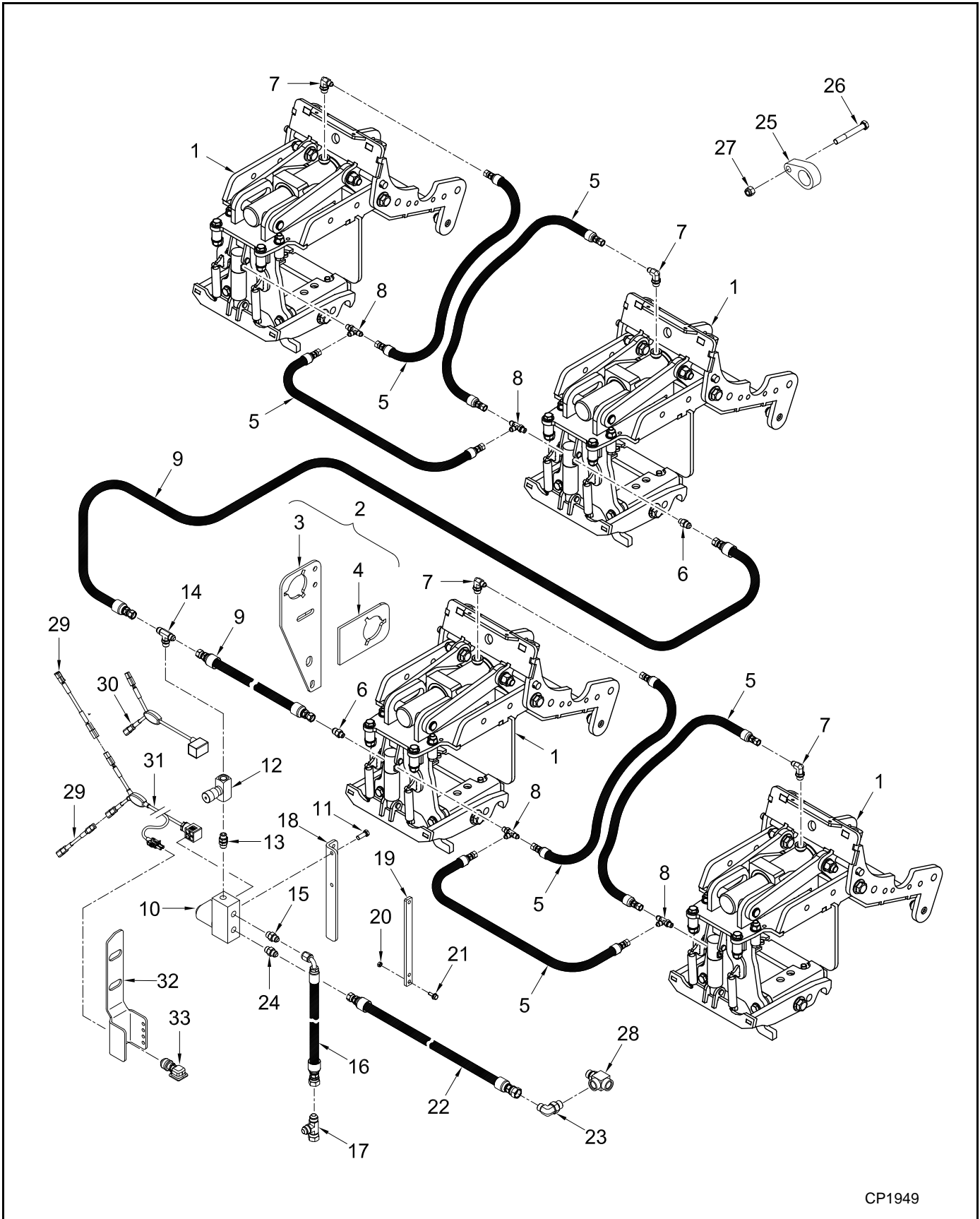
SPEED SENSOR KIT

CNH / IH Planter Products

(2A-1124)

Ref.	FN	Part Number	TTS Series	Qty.	Description
		2A-1124-100SP		1	KIT, CNH / IH Speed Sensor, Includes items 1 -7
1		2C-2545-101SP		2	BRACKET, Mounting, Speed Ring
2		2C-2544-101SP		4	RING, Speed
3		2C-2543-100		1	BRACKET, Speed Sensor
4		2M-0052		2	SENSOR, Speed
5		2F-0220		8	NUT, Hex Flg., M8
6		2F-0265		2	WASHER, Flat, M12
7		716401665		8	BOLT, Hex Flg., M8 x 16, CI 10.9
8		2C-2569-101SP	35-2511	1	GUARD, Harness Speed Sensor
9		2F-0096	35-2511	4	SCREW, Drive, Type-U #10 x 1/2", Stainless

4 Unit Row Lift Kit



CP1949

DB44 SERIES PLANTER SPACER OR ROW LIFT KIT

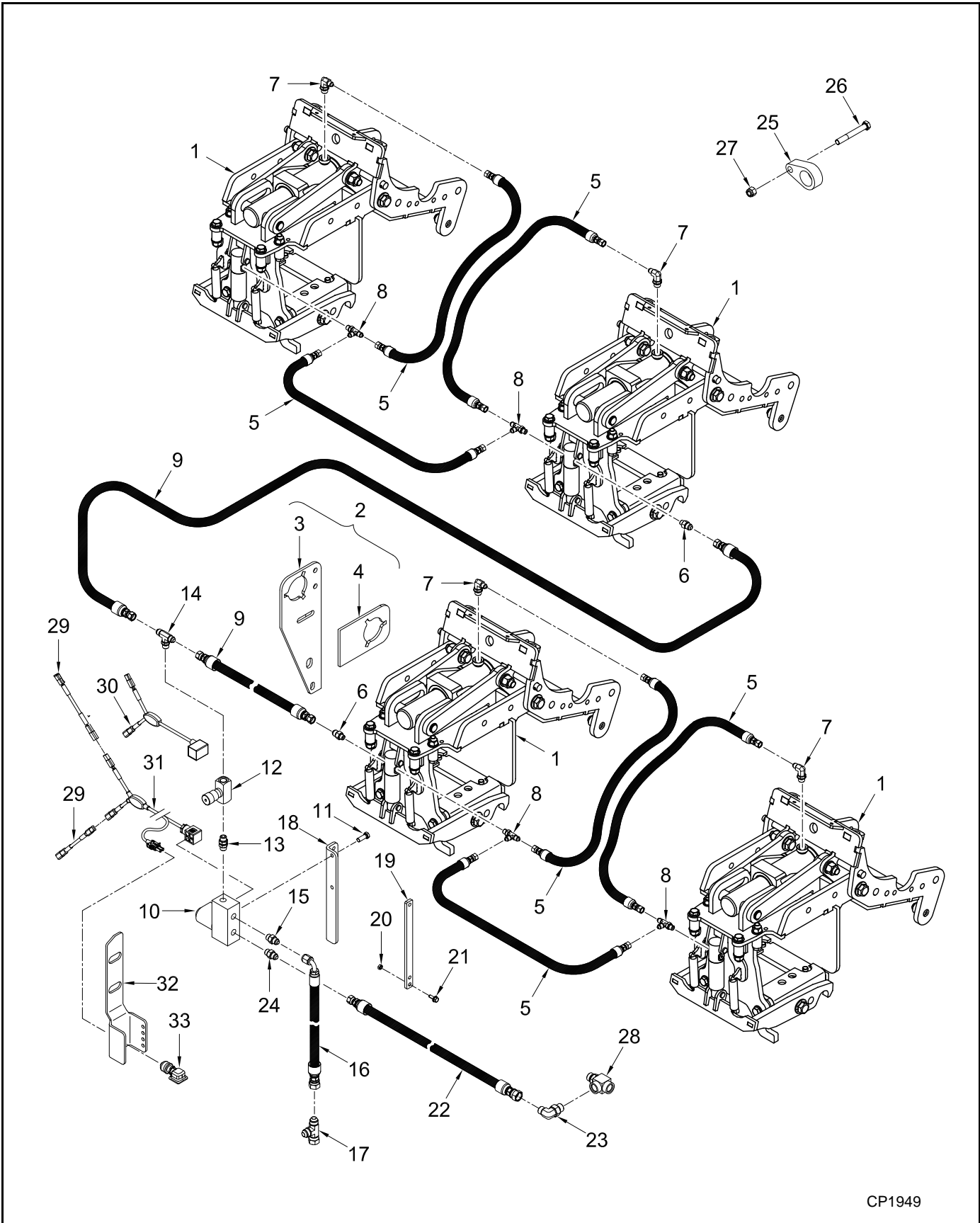
4 Unit Row Lift Kit (2011 and Earlier)

(2A-0641)

Ref.	FN	Part Number	TTS Series	Qty.	Description
1		2A-0235		4	LIFTING UNIT, Row, See page 103-5
2		2A-0653		1	KIT, Drive Modification, Includes items 3 & 4
3		2C-1298		8	SUPPORT, Upper Drive
4		2C-1299		4	BRACKET, Upper Drive
		2A-0639		1	KIT, Accessories, Includes items 5 - 33
5		2H-0123		6	HOSE, #4 JIC 37 female straight
6		2H-0140		2	ADAPTER, Straight, JIC #37 x Orb #4
7		2H-0136		4	ELBOW, 90°
8		2H-0127		4	TEE
9		2H-0134		2	HOSE, Hydraulic Lift, Supply
10		2H-0324		1	VALVE, Hydraulic Lift, Check & Dump
11		2F-0448		2	BOLT, Hex, M6 x 55
12		2H-0153		1	CONTROL, Flow
13		2H-0158		1	ADAPTER, Straight
14		2H-0131		1	TEE, 3/8" male 37° flare x 3/8" male 37° flare
15		2H-0130		1	ADAPTER, Straight
16		2H-0137		1	HOSE, Hydraulic, Supply, #6 37° female straight
17		2H-0129		1	TEE, 1/2" swivel x 3/8" 37° flare male
18		2C-1421		1	BRACKET, Valve
19		2C-1256		1	BRACKET, Switch
20		2F-0170		4	NUT, Hex, M6 x 1
21		761301665		2	BOLT, Hex Flg., M6 x 1
22		2H-0198		1	HOSE, Hydraulic, Return, #6 orfs female straight
23		2H-0197		1	ELBOW, 90°, M8 orb x 6 orfs
24		2H-0196		1	ADAPTER, Straight, M6 orb x 6 orfs
25		2C-1666		2	SPACER, Cylinder Pin
26		2F-0071		2	BOLT, Hex
27		2F-0094		2	NUT, Hex
28		2H-0164		1	TEE, M8 orb x 8 orb x 8 orb run
29		2A-1039-100		1	HARNESS, Adapter Set

Continued on Next Page

4 Unit Row Lift Kit



CP1949

DB44 SERIES PLANTER SPACER OR ROW LIFT KIT

4 Unit Row Lift Kit (2011 and Earlier)

(2A-0641)

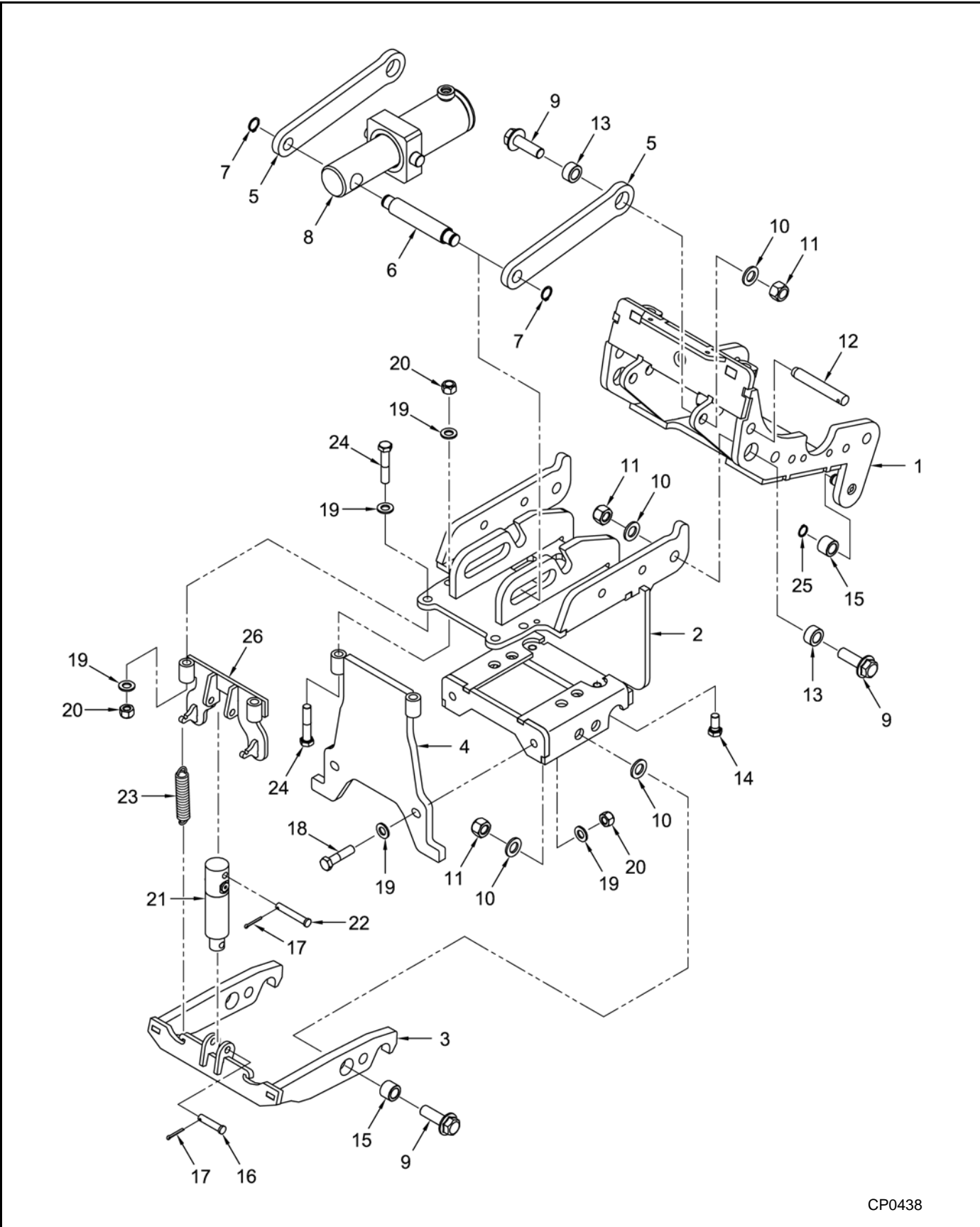
Ref.	FN	Part Number	TTS Series	Qty.	Description
		2A-0639		1	KIT, Accessories, Includes items 5 - 33
30	1,3	2A-0739		1	CABLE, Electrical, DB Planter
	2	2A-2290-100		1	KIT, Cable, Electrical, DB Planter, Inc. 31 - 33
31		2C-2151-100		1	HARNESS, Wire, DB 60-120 CAN Based
32		2A-5437-101SP		1	BRACKET, Mounting
33		2M-0413		1	SWITCH, Push Button

1 - Used on systems S/N TTS1904007 and Earlier.

2 - Used on systems S/N TTS1904007 and Later or if planter is older with an Easy Fold System.

3 - If replacing p/n 2A-0739 Cable, replace with p/n 2A-2290-100 Cable Kit.

Row Lift Unit



CP0438

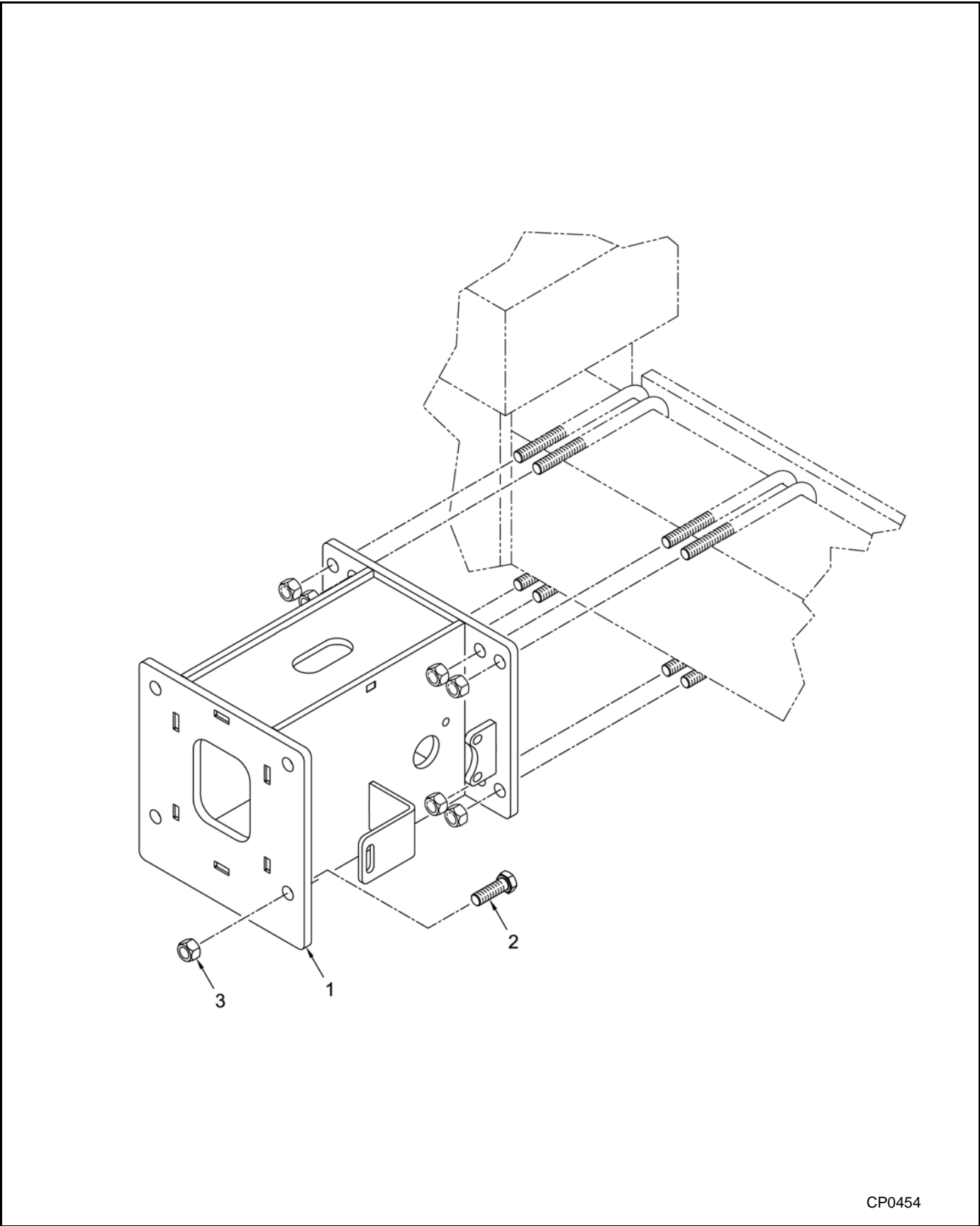
DB44 SERIES PLANTER SPACER OR ROW LIFT KIT

Row Lift Unit

(2A-0235)

Ref.	FN	Part Number	TTS Series	Qty.	Description
		2A-0235		1	LIFTING UNIT, Row, Includes items 1 - 26
1		2S-0190SP		1	FRAME, Planting Unit
2		2S-0193SP		1	FRAME, Lifting Unit, Main Body
3		2S-0194SP		1	LATCH, Attachment
4		2S-0188SP		1	PLATE, Rear Mounting
5		2C-1273		2	LINK, Planting Unit
6		2C-1277		1	PIN, Lifting
7		3F-0093		2	RING, Retaining, External, 3/4"
8		2H-0121		1	CYLINDER, Lifting
9		2F-0072		6	BOLT, Hex Flange, M16 x 2, Gr 10.9
10		2F-0112		8	WASHER, Flat, M16
11		2F-0169		6	NUT, Hex, M16 x 2
12		3F-0095		2	PIN, Quick Release, 5/8" x 3.1"
13		2C-1264		4	BUSHING, Pivot
14		2F-0019		2	BOLT, Hex, M12 x 25, Cl 10.9
15		2C-1274		4	BUSHING, Pivot
16		3F-0099		1	PIN, 1-3/4" x 3/8"
17		3F-0094		2	PIN, Cotter, 1" x 1/8"
18		2F-0102		2	BOLT, Hex Flg., M12 x 50, Gr 10.9
19		224020021		10	WASHER, Flat, M12
20		2F-0168		6	NUT, Hex, M12
21		2H-0122		1	CYLINDER, Latch
22		3F-0092		1	PIN, 2-3/4" x 3/8"
23		2M-0054		2	SPRING, Extension
24		2F-0057		2	BOLT, Hex, M12 x 60, Gr 10.9
25		3F-0091		2	RING, Retaining, External, 5/8"
26		2S-0187SP		1	PLATE, Mounting, Back

Row Unit Extension Kit (Non-Row Lift Option)



CP0454

DB44 SERIES PLANTER SPACER OR ROW LIFT KIT

Row Unit Extension Kit (Non-Row Lift Option)

(2012 and Later)

(2A-0753 & 2A-0754)

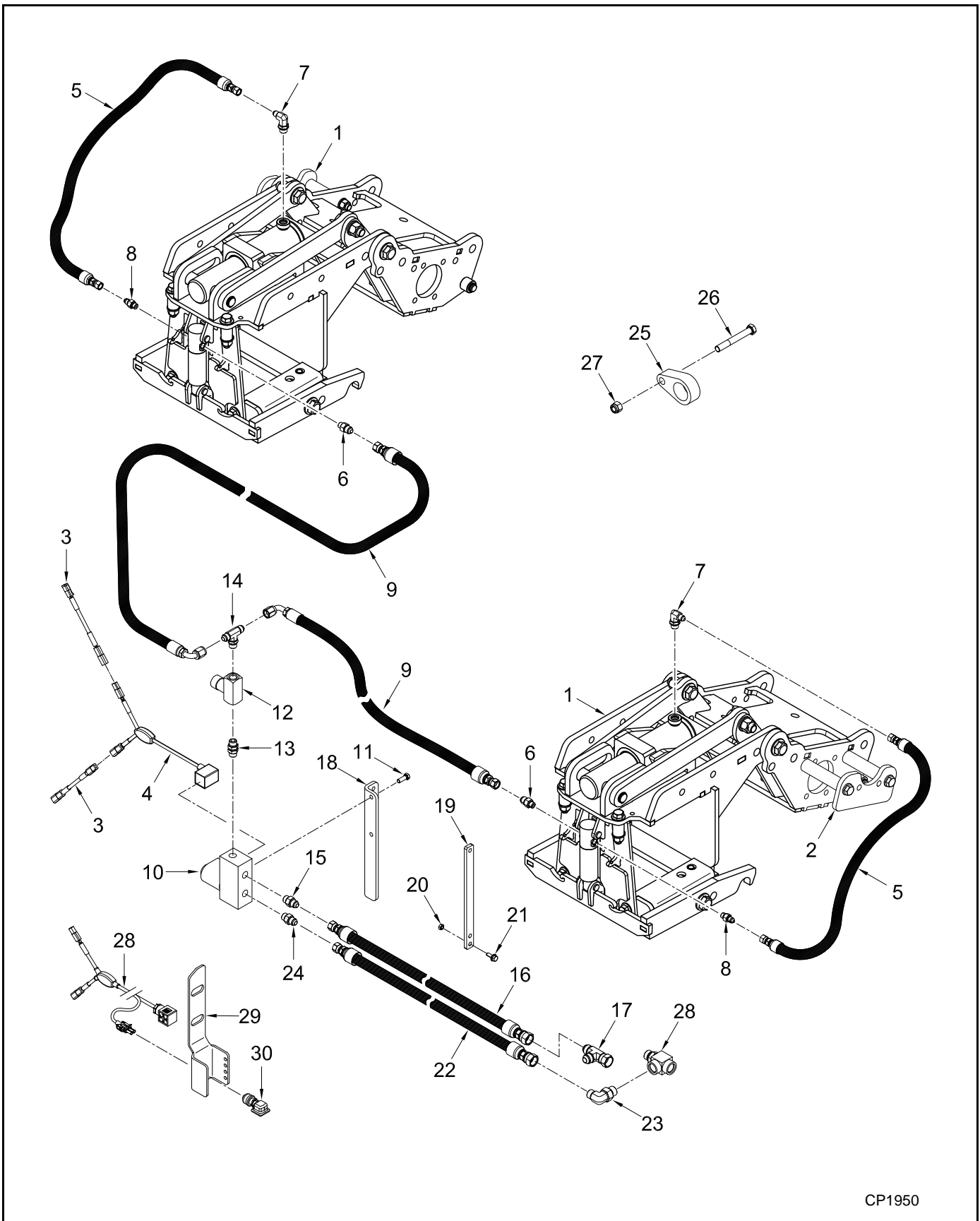
Ref.	FN	Part Number	TTS Series	Qty.	Description
	1,2	2A-0744		UAR	KIT, Extension, Row Unit, Single, Includes items 1 - 3
1		2S-0226		1	EXTENSION, Row Lift Unit
2		2F-0087		4	BOLT, Hex, M16 x 50, Cl 10.9
3		2F-0169		4	NUT, Hex, M16

NOTE: This information is used on systems 2012 and Later with 16.5" wide tracks only.

1 - 2A-0753 Row Unit Extension Weldment Assembly use qty. (4) 2A-0744 Extension.

2 - 2A-0754 Row Unit Extension Weldment Assembly use qty. (2) 2A-0744 Extension.

2 Unit Row Lift Kit



CP1950

DB58 / 60 / 80 / 90 SERIES PLANTER ROW LIFT KIT

2 Unit Row Lift Kit (2012 and Earlier)

(2A-1153-100 & 2A-1154-100)

Ref.	FN	Part Number	TTS Series	Qty.	Description
1		2A-1017-100SP		2	LIFTING UNIT, Row, See page 104-10
2		2A-0652SP		1	KIT, Offset Drive Bearing, See page 104-14
	4,5	2A-0651		1	KIT, Drive Modification, Not Shown, See page 104-16
	3	2A-0971		1	KIT, Accessories, Includes items 3 - 31
	4	2A-0972		1	KIT, Accessories, Includes items 3 - 31
3		2A-1039-100		1	HARNESS, Adapter Set
4	2	2A-0739		1	CABLE, Electrical, DB Planter
5		2H-0123		2	HOSE, #4 JIC 37 female straight
6	1	2H-0140		2	ADAPTER, Straight, JIC #37 x Orb #4
7		2H-0136		2	ELBOW, 90°
8		2H-0125		2	ADAPTER, Straight, JIC 37 x Orb #4
9	1	2H-0134		2	HOSE, Hydraulic Lift, Supply
10		2H-0324		1	VALVE, Hydraulic Lift, Check & Dump
11		2F-0448		1	BOLT, Hex, M6 x 55
12		2H-0153		1	CONTROL, Flow
13		2H-0158		1	ADAPTER, Straight
14		2H-0131		1	TEE, 3/8" male 37° flare x 3/8" male 37° flare
15		2H-0130		1	ADAPTER, Straight
16		2H-0137		1	HOSE, Hydraulic, Supply, #6 37° female straight
17		2H-0129		1	TEE, 1/2" swivel x 3/8" 37° flare male
18		2C-1421		1	BRACKET, Valve
19		2C-1256		1	BRACKET, Switch
20		2F-0170		2	NUT, Hex, M6 x 1
21		761301665		2	BOLT, Hex Flg., M6 x 1
22	3	2H-0198		1	HOSE, Hydraulic, Return, #6 orfs female straight, 57ft.
	4	2H-0199		1	HOSE, Hydraulic, Return, #6 orfs female straight, 65ft.

1 - If replacing p/n 2H-0140 Adapter or 2H-0134 Hose. Order and replace with both p/n 2H-0205 Tee and 2H-0204 Hose from 2013 and Later hose routing.

2 - Used on systems S/N TTS1904007 and Earlier. If replacing p/n 2A-0739 Cable, order 2A-2290-100 Cable Kit.

3 - Used on DB58 / 60 (2A-1153-100 Kit)

4 - Used on DB80 / 90 (2A-1154-100 Kit)

5 - Only used in Kit 2A-1154-100

Continued on Next Page

DB58 / 60 / 80 / 90 SERIES PLANTER ROW LIFT KIT

2 Unit Row Lift Kit
(2012 and Earlier)

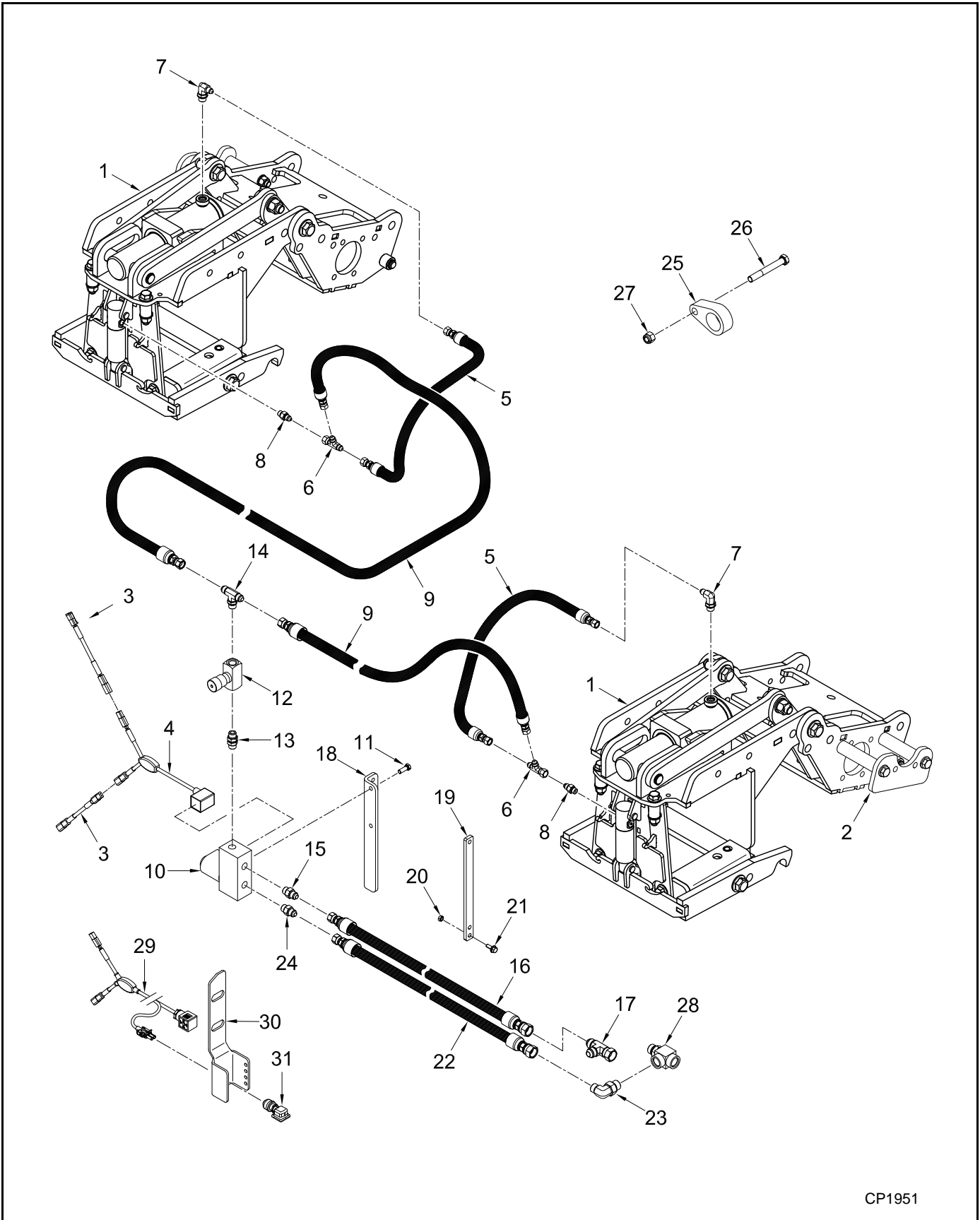
(2A-1153-100 & 2A-1154))

Ref.	FN	Part Number	TTS Series	Qty.	Description
	3	2A-0971		1	KIT, Accessories, Includes items 3 - 31
	4	2A-0972		1	KIT, Accessories, Includes items 3 - 31
23		2H-0197		1	ELBOW, 90°, M8 orb x 6 orfs
24		2H-0196		1	ADAPTER, Straight, M6 orb x 6 orb
25		2C-1666		2	SPACER, Cylinder Pin
26		2F-0071		2	BOLT, Hex
27		2F-0094		2	NUT, Hex
28		2H-0164		1	ADAPTER, Tee, M8 orb x 8 orb x 8 orb run
		2A-2290-100		1	KIT, Cable, Electrical, DB Planter, Inc. 29 - 31
29		2C-2151-100		1	HARNESS, Wire, DB 60-120 CAN Based
30		2A-5437-101SP		1	BRACKET, Mounting
31		2M-0413		1	SWITCH, Push Button

3 - Used on DB58 / 60 (2A-1153-100 Kit)

4 - Used on DB80 / 90 (2A-1154-100 Kit)

2 Unit Row Lift Kit



CP1951

DB58 / 60 / 80 / 90 SERIES PLANTER ROW LIFT KIT

2 Unit Row Lift Kit
(2013 and Later)

(2A-1158-100 & 2A-1159-100)

Ref.	FN	Part Number	TTS Series	Qty.	Description
1		2A-1017-100SP		2	LIFTING UNIT, Row, See page 104-10
2	2	2A-0651		1	KIT, Drive Modification, See page 105-6
	2,4	2A-0910		1	KIT, Limit Lifting Switch, Not Shown, See page 105-6
	1	2A-1020-100SP		1	KIT, Accessories, Includes items 3 - 31
	2	2A-1023-100SP		1	KIT, Accessories, Includes items 3 - 31
3		2A-1039-100		1	HARNESS, Adapter Set
4	3	2A-0739		1	CABLE, Electrical, DB Planter
5		2H-0123		2	HOSE, #4 JIC 37° female straight
6		2H-0205		2	TEE, #4 37° female straight
7		2H-0136		2	ELBOW, 90°
8		2H-0125		2	ADAPTER, Straight, JIC 37 x Orb #4
9		2H-0204		2	HOSE, Hydraulic Lift, Supply, #4 JIC 37° female straight
10		2H-0324		1	VALVE, Hydraulic Lift, Check & Dump
11		2F-0448		2	BOLT, Hex, M6 x 55
12		2H-0153		1	CONTROL, Flow
13		2H-0158		1	ADAPTER, Straight
14		2H-0131		1	TEE, 3/8" male 37° flare x 3/8" male 37° flare
15		2H-0130		1	ADAPTER, Straight
16		2H-0137		1	HOSE, Hydraulic, Supply, #6 37° female straight
17		2H-0129		1	TEE, 1/2" swivel x 3/8" 37° flare male x run
18		2C-1421		1	BRACKET, Valve
19		2C-1256		1	BRACKET, Switch
20		2F-0170		2	NUT, Hex, M6 x 1
21		761301665		2	BOLT, Hex Flg., M6
22	1	2H-0198		1	HOSE, Hydraulic, Return, #6 orfs female straight, 57ft.
22	2	2H-0199		1	HOSE, Hydraulic, Return, #6 orfs female straight, 65ft.
23		2H-0197		1	ELBOW, 90°, M8 orb x 6 orfs
24		2H-0196		1	ADAPTER, Straight, M6 orb x 6 orb
25		2C-1666		2	SPACER, Cylinder Pin

1 - Used on DB58 / 60 (2A-1158-100 Kit)

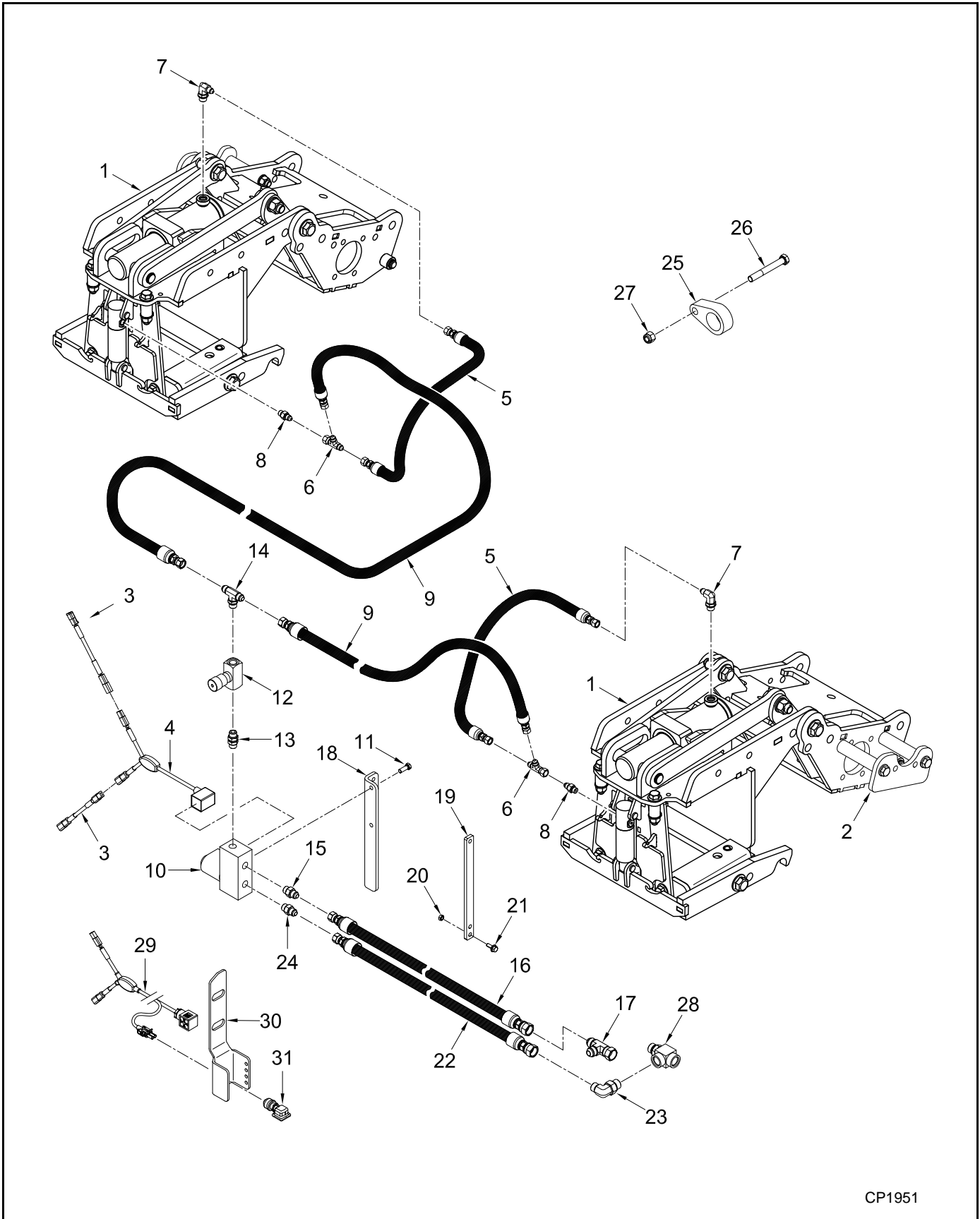
2 - Used on DB80 / 90 (2A-1159-100 Kit)

3 - Used on systems S/N TTS1904007 and Earlier. If replacing p/n 2A-0739 Cable, order 2A-2290-100 Cable Kit.

4 - Only used in kit 2A-1159-100

Continued on Next Page

2 Unit Row Lift Kit



CP1951

DB58 / 60 / 80 / 90 SERIES PLANTER ROW LIFT KIT

2 Unit Row Lift Kit
(2013 and Later)

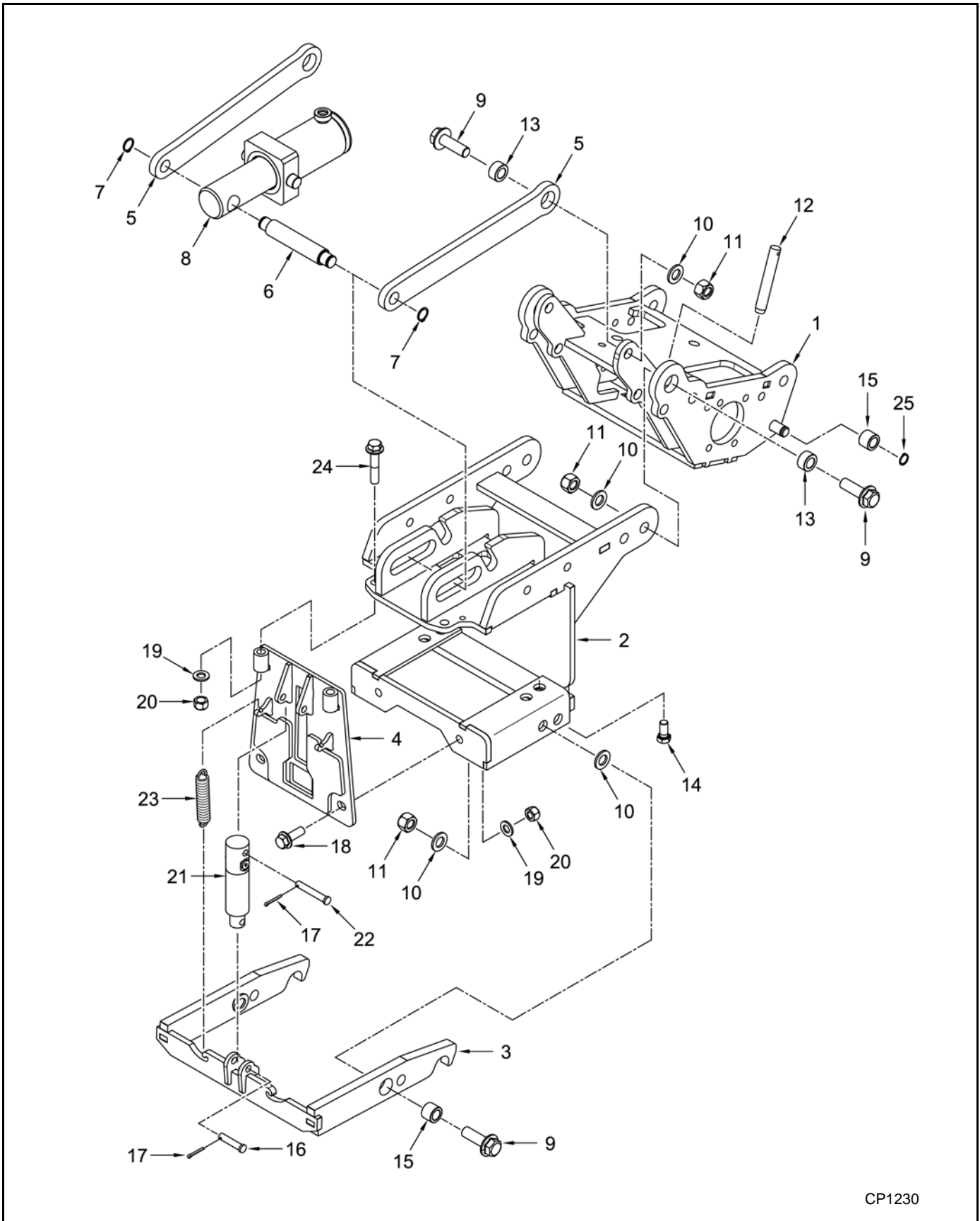
(2A-1158-100 & 2A-1159-100)

Ref.	FN	Part Number	TTS Series	Qty.	Description
	1	2A-1020-100SP		1	KIT, Accessories, Includes items 3 - 31
	2	2A-1023-100SP		1	KIT, Accessories, Includes items 3 - 31
26		2F-0071		2	BOLT, Hex, M12 x 90 CI 10.9
27		2F-0094		2	NUT, Hex, M12 CI 10
28		2H-0164		1	ADAPTER, Tee, M8 orb x 8 orb x 8 orb run
		2A-2290-100		1	KIT, Cable, Electrical, DB Planter, Inc. 29 - 31
29		2C-2151-100		1	HARNESS, Wire, DB 60-120 CAN Based
30		2A-5437-101SP		1	BRACKET, Mounting
31		2M-0413		1	SWITCH, Push Button

1 - Used on DB58 / 60 (2A-1158-100 Kit)

2 - Used on DB80 / 90 (2A-1159-100 Kit)

Row Lift Unit



CP1230

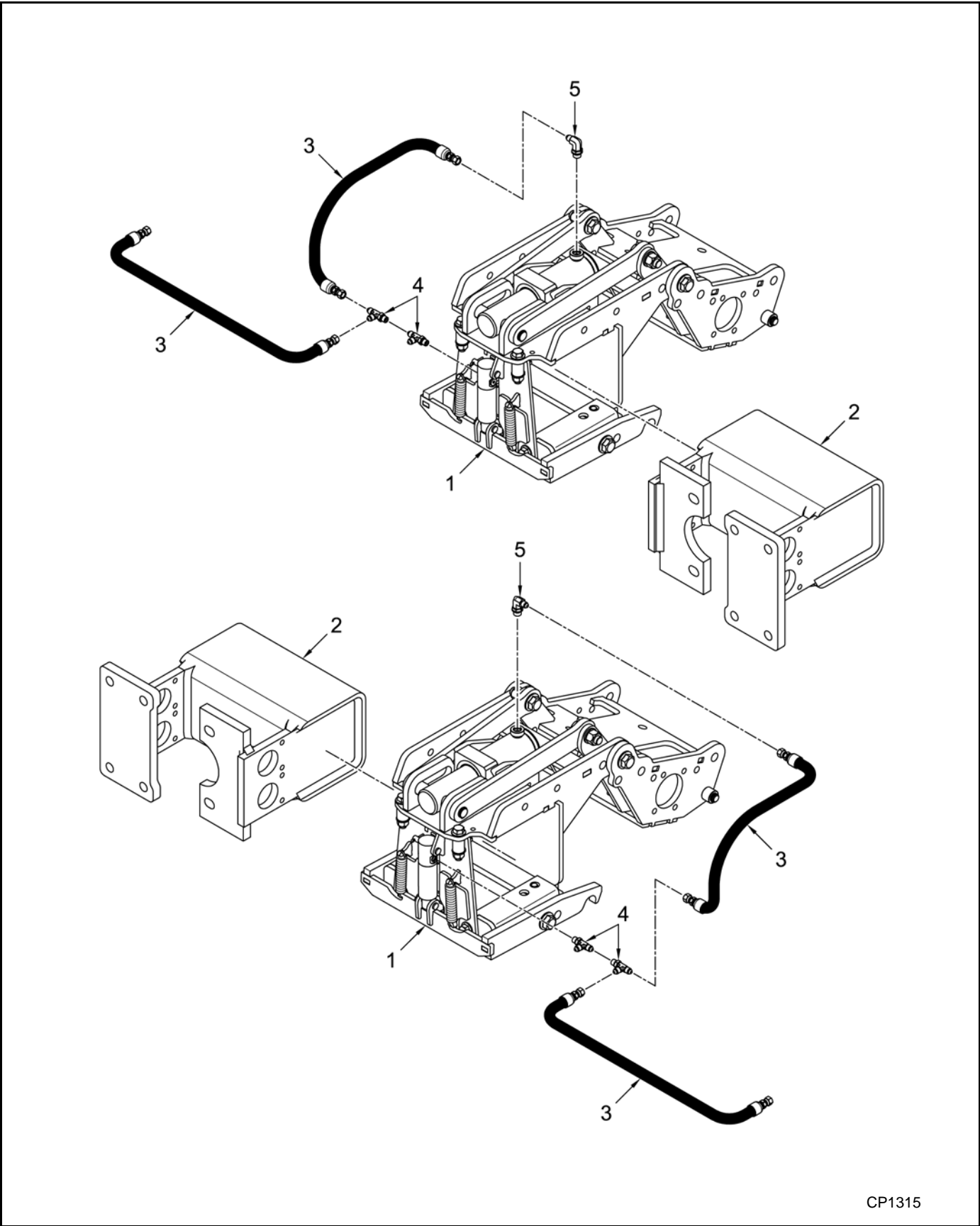
DB58 / 60 / 80 / 90 SERIES PLANTER ROW LIFT KIT

Row Lift Unit

(2A-1017)

Ref.	FN	Part Number	TTS Series	Qty.	Description
		2A-1017-100SP		1	LIFTING UNIT, Row, Includes items 1 - 25
1		2S-0437-001SP		1	FRAME, Planting Unit
2		2S-0436-001SP		1	FRAME, Lifting Unit, Main Body
3		2S-0400-001SP		1	LATCH, Attachment
4		2S-0192SP		1	PLATE, Rear Mounting
5		2C-2311-101SP		2	LINK, Planting Unit
6		2C-1277		1	PIN, Lifting
7		3F-0093		2	RING, Retaining, External, 3/4"
8		2H-0121		1	CYLINDER, Lifting
9		2F-0072		6	BOLT, Hex Flange, M16 x 2, Gr 10.9
10		2F-0112		8	WASHER, Flat, M16
11		2F-0169		6	NUT, Hex, M16 x 2
12		3F-0095		2	PIN, Quick Release, 5/8" x 3.1"
13		2C-1264		4	BUSHING, Pivot
14		2F-0019		2	BOLT, Hex, M12 x 25, CI 10.9
15		2C-1274		4	BUSHING, Pivot
16		3F-0099		1	PIN, 1-3/4" x 3/8"
17		3F-0094		2	PIN, Cotter, 1" x 1/8"
18		2F-0035		2	BOLT, Hex Flg., M12 x 35, Gr 10.9
19		224020021		4	WASHER, Flat, M12
20		2F-0168		4	NUT, Hex, M12
21		2H-0122		1	CYLINDER, Latch
22		3F-0092		1	PIN, 2-3/8" x 3/8"
23		2M-0054		2	SPRING, Extension
24		2F-0134		2	BOLT, Hex Flg., M12 x 60
25		3F-0091		2	RING, Retaining, External, 5/8"

Split Row Lift Kit - DB60



CP1315

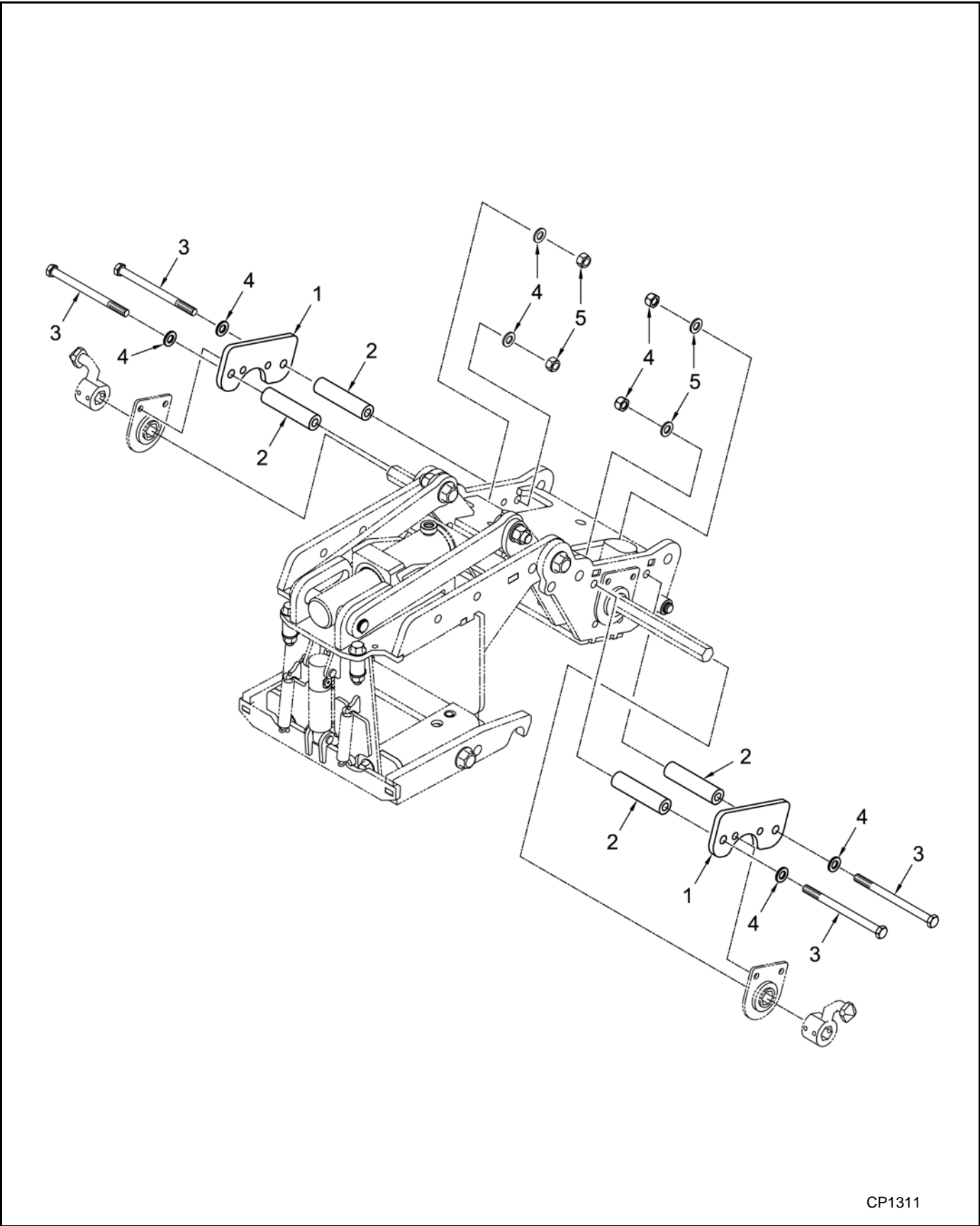
DB58 / 60 / 80 / 90 SERIES PLANTER ROW LIFT KIT

Split Row Lift Kit - DB60

(2A-1179)

Ref.	FN	Part Number	TTS Series	Qty.	Description
		2A-1179-100		1	KIT, Split Row Lift, Includes items 1 - 5
1		2A-1017-100SP		2	LIFT UNIT, Row, See page 104-10
2		2A-1178-100SP		2	BRACKET, Split Row Lifting
3		2H-0123		4	HOSE, Hyd., #4 JIC 37° Flare
4		2H-0127		4	TEE, #4 Flare #4
5		2H-0136		2	ELBOW, #6 Flare #4

Offset Drive Bearing Kit - DB60 / 80



CP1311

DB58 / 60 / 80 / 90 SERIES PLANTER ROW LIFT KIT

Offset Drive Bearing Kit - DB60 / 80

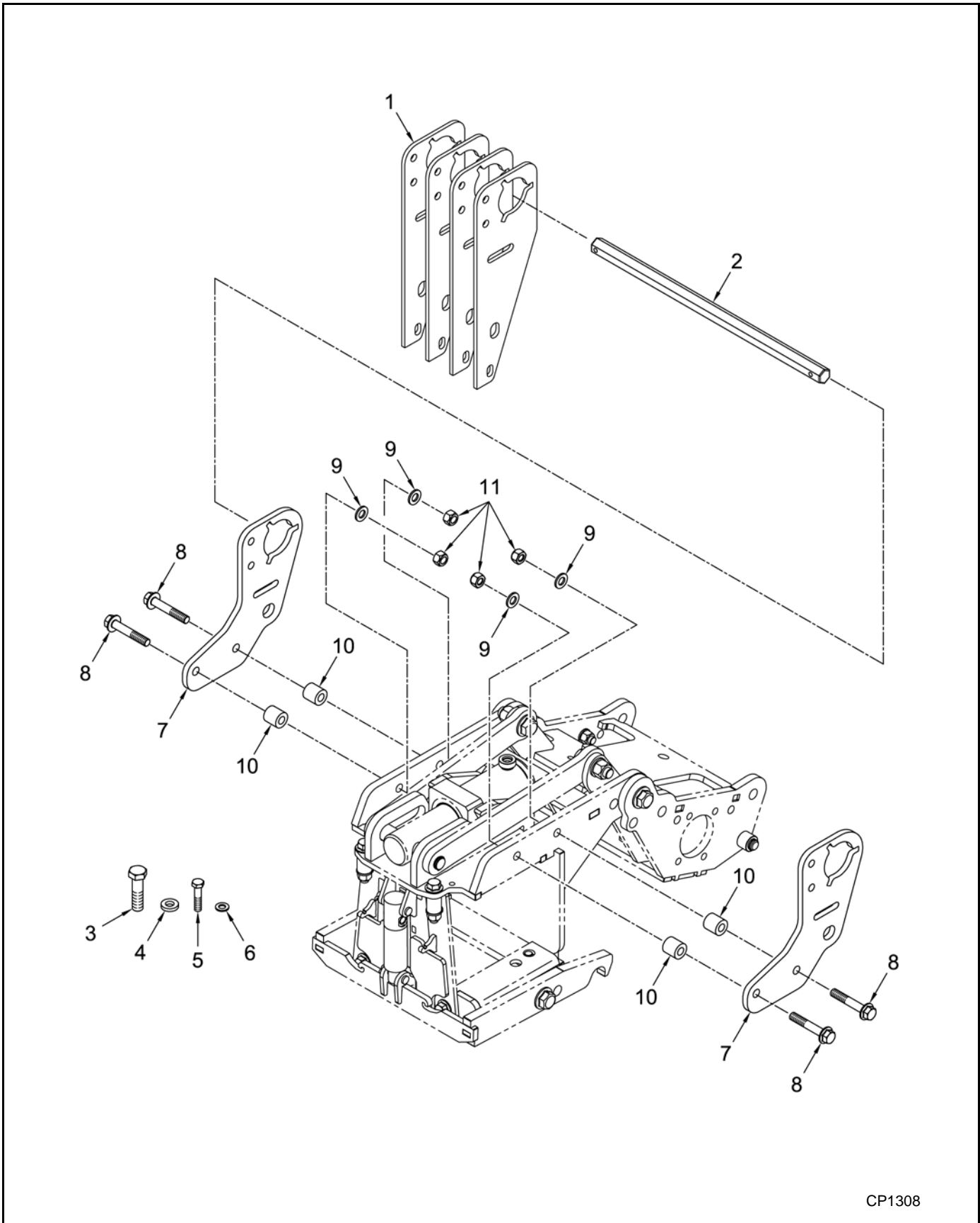
(2A-0652)

Ref.	FN	Part Number	TTS Series	Qty.	Description
		2A-0652SP		1	KIT, Offset Drive Bearing, Includes items 1 - 5
1		2C-1310		2	BRACKET, Support
2		2C-1303		4	SPACER, Tube
3	1	2F-0166		4	BOLT, Hex, M12 x 160
	2	2F-0159		4	BOLT, Hex
4		224020021		8	WASHER, Flat, M12
5		2F-0168		2	NUT, Hex, M12

1 - Used on 2014 and Earlier model years.

2 - Used on 2015 and Later model years.

Drive Modification Kit - DB80



CP1308

DB58 / 60 / 80 / 90 SERIES PLANTER ROW LIFT KIT

Drive Modification Kit - DB80

(2A-0651)

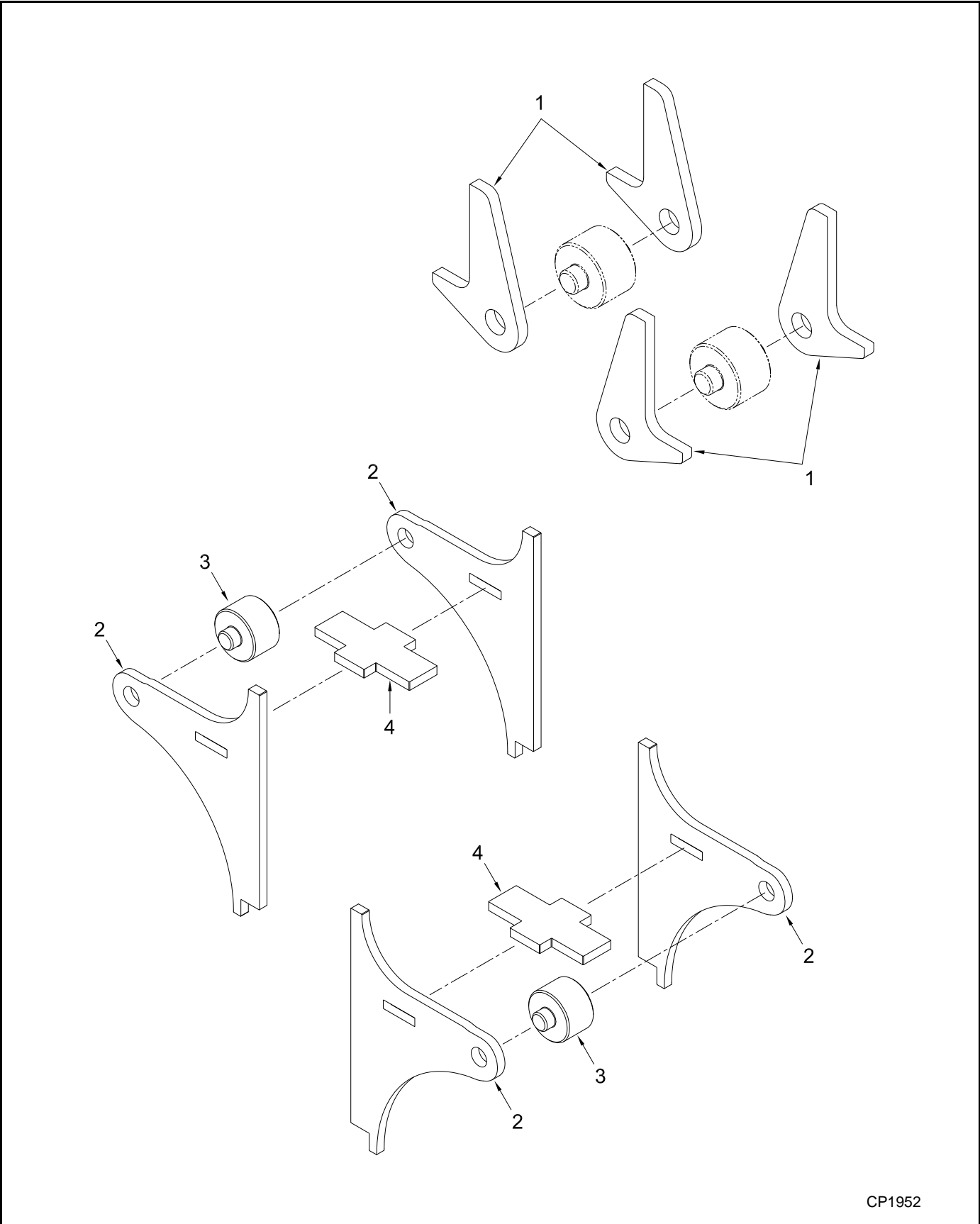
Ref.	FN	Part Number	TTS Series	Qty.	Description
		2A-0651		1	KIT, Drive Modification, Includes items 1 - 11
1		2C-1298		8	PLATE, Support, Upper Drive
2		2C-1422		2	SHAFT, Drive
3		2F-0064		4	BOLT, Hex, M16 x 60, Gr 10.9
4		2F-0185		2	WASHER, Flat, M12
5		2F-0172		2	BOLT, Hex, M10 x 45, Gr 10.9
6		2F-0083		4	WASHER, Flat, M10
7		2C-1311		4	PLATE, Support, Upper Drive, Row Unit
8	1	2F-0135		8	BOLT, Hex Flg., M12 x 70
	2	2F-0137		8	BOLT, Hex Flg., M12 x 45
9		224020021		8	WASHER, Flat, M12 x 45
10	1	2M-0053		8	SPACER, 1/5" ID x 1" OD
11		2F-0168		8	NUT, Hex, M12 CI 10.9

NOTE: The parts illustration only shows parts for one side of the planter. The kit includes parts for both LH and RH drives.

1 - Early units used a spacer and longer bolts. Later units should use a short bolt and no spacer.

2 - Shorter Bolt (used on later units).

Roller Modification Kit - DB58 / 60



CP1952

DB58 / 60 / 80 / 90 SERIES KITS

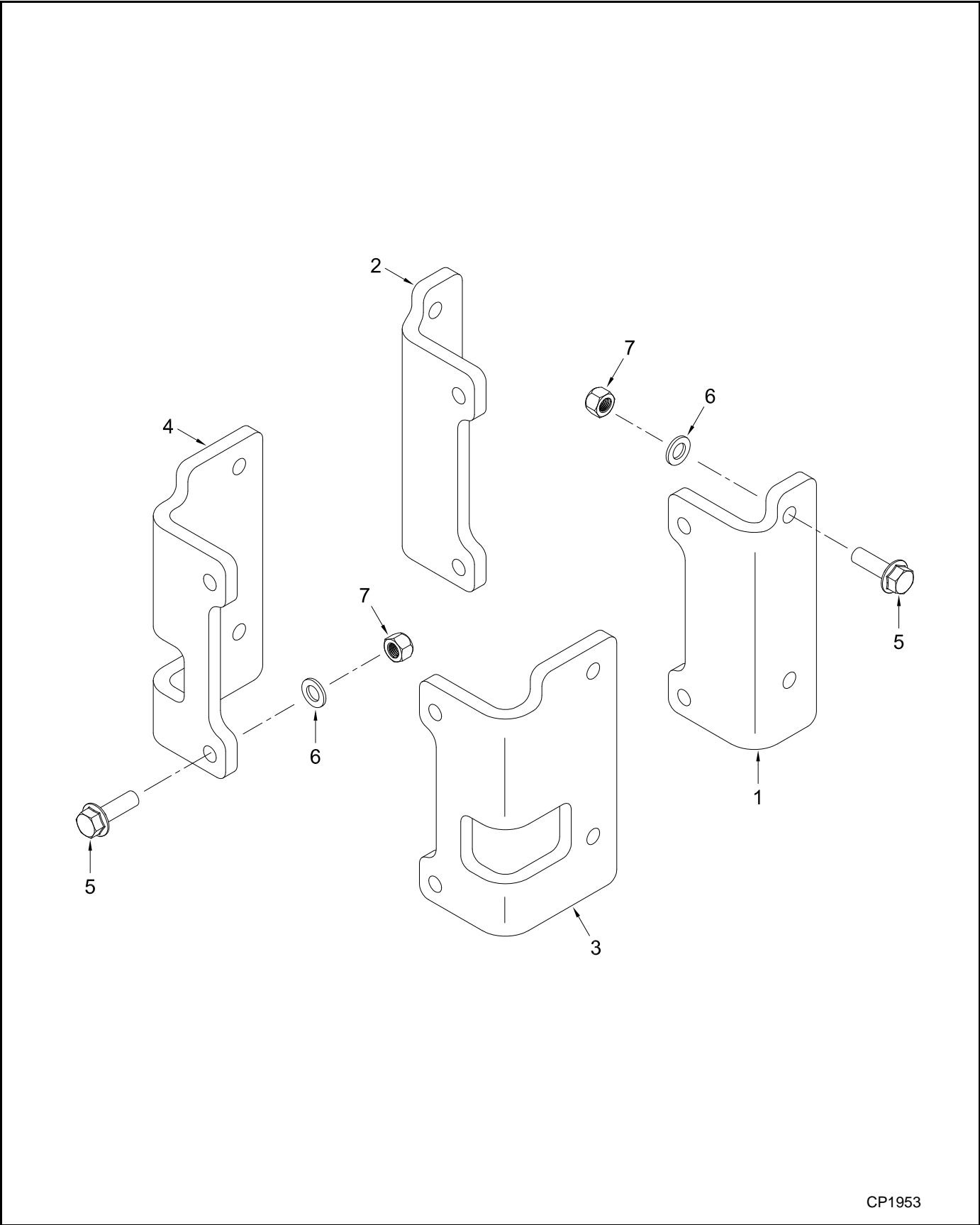
Roller Modification Kit - DB58 / 60
(S/N TTS1904007 and Earlier)

(2A-0641)

Ref.	FN	Part Number	TTS Series	Qty.	Description
	1,2	2A-0650-100		2	KIT, Roller Modification, Includes items 1
1		2C-1312		4	BRACKET, Roller Support
	1,3	2A-1019-100		2	KIT, Roller Modification, Includes items 1 - 4
2		2C-2296-100		2	BRACKET, Roller Support
3		2C-2297-100SP		1	ROLLER
4		2C-2298-100SP		1	SPACER, Roller Support

- 1 - Roller kit needed for 20" row spacing only.
- 2 - Used on planters 2013 and Earlier.
- 3 - Used on planters BTW 2014 and S/N TTS1904007.

Offset Bracket Kit - DB58 / 60



CP1953

DB58 / 60 / 80 / 90 SERIES KITS

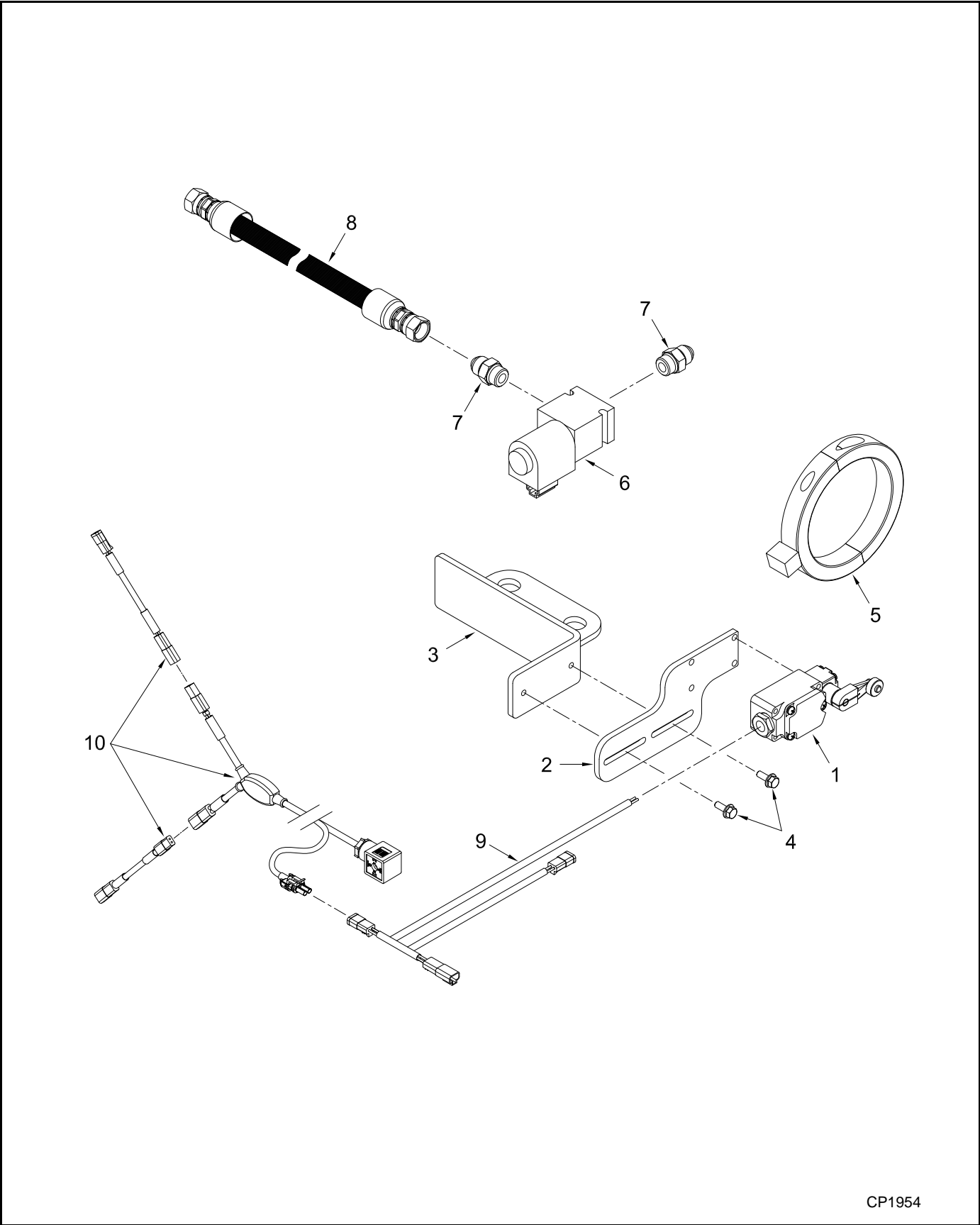
Offset Bracket Kit - DB58 / 60
(S/N TTS1904007 and Later)

(2A-1153-100 & 2A-2206-100)

Ref.	FN	Part Number	TTS Series	Qty.	Description
	1	2A-2206-100		1	KIT, Offset Bracket, Inc. 1 - 7
1		2A-5483-101		1	BRACKET, Offset, RH, Small
2		2C-5485-101		1	BRACKET, Offset, LH Small
3		2A-5482-101		1	BRACKET, Offset, RH, Large
4		2A-5484-101		1	BRACKET, Offset, LH, Large
5		2F-0072		16	BOLT, Hex Flg., M16 x 50
6		2F-0112		16	WASHER, M16
7		2F-0169		16	NUT, M16

1 - Roller kit needed for 20" row spacing only.

2 Unit Row Lift Kit - DB80 / 90



CP1954

DB58 / 60 / 80 / 90 SERIES KITS

Limit Lifting Switch - DB80 / 90

(S/N TTS1904007 and Earlier)

(2A-1159-100)

Ref.	FN	Part Number	TTS Series	Qty.	Description
	1	2A-0910		1	SWITCH ASSY., Limit Lifting, Includes items 1 - 10
1		2M-0111		1	SWITCH, Limit
2		2C-1974		1	BRACKET, Mounting
3		2C-1973		1	BRACKET, Support
4		761301665		2	BOLT, Hex Flg., M6 x 16 Cl 10.9
5		2A-0911		1	COLLAR
6		2H-0211		1	VALVE, Check and Dump, Hydraulic Lift
7		2H-0209		2	ADAPTER, Straight, 1/2" JIC 37° #8 orb
8		2H-0241		1	HOSE, Hydraulic, #8 JIG 37° female
9		2A-1040-100		1	HARNESS, Wire
10		2A-1039-100		1	CABLE, Electrical, DB Planter

1 - Lift Limiter Kit released mid-year 2014 for use on DB80+ machines with 20" row configurations, if required.

